

# MAYLINE® GROUP

*Kwik-File • Mayline • Tiffany Industries*



## 2008 Price List and Specification Guide

Effective September 1, 2007

Casegoods  
Modular Workstations  
Seating  
Conference & Training Room Furniture  
Height Adjustable Workstations

Filing & Storage  
Mailroom Furniture  
Network Enclosures & Racks  
Small Office/Home Office  
Drafting Furniture

# THE MAYLINE GROUP Terms & Conditions

## Price List Effective September 1, 2007

### How To Order

Send orders to the attention of Order Desk, and include for every item ordered:

- Quantity
- Model Number and Description
- Laminate Color
- Paint Color
- Fabric Color (if necessary)

All orders will be confirmed via return fax. It is the dealer's responsibility to review the confirmation to insure order accuracy. Laminate and Paint colors can be viewed at [www.mayline.com](http://www.mayline.com).

### Mayline Group

619 North Commerce Street • P.O. Box 728 • Sheboygan, WI 53081-0728  
Ph. 800-822-8037 • (In Wisconsin, call 920-457-5537) • Fax: 920-457-7388  
Web Site: [www.mayline.com](http://www.mayline.com)

**Remittance Address:** Mayline Group • PO Box 3090 • Milwaukee, WI 53201

### Terms

With approved credit, 1% 15 days from date of invoice or net 30 days. Cash discount applies against billing date and cannot be taken against freight charges. Past due accounts are subject to interest at the maximum rate permitted by law. Cash discount does not apply to credit card orders.

### Pricing Policy

Prices and specifications are subject to change without notice. Pricing shall be based upon the price list in effect at the time the order is entered. Mayline Group reserves the right at any time to alter design, and to substitute materials and parts to a particular standard unit at time of shipment as may be necessary.

### Additional Packaging (Outside Contiguous U.S.)

Shipments destined for Alaska, Hawaii, the northern provinces of Canada, and other locations outside the contiguous 48 states, may require special packaging and/or crating to insure proper handling by the freight carrier and prevent damage to the destination. Dealers will be notified of these additional costs upon request, or at the time the order is entered.

### Shipping and Freight Allowance

For ALL SEATING ORDERS (except Lounge Seating and SeatTable), Mayline will prepay and absorb all freight charges regardless of order size. For ALL OTHER PRODUCTS, Mayline Group will prepay and absorb freight charges on a single order totaling \$5,000 List (\$6,750 Canadian) or more shipping via a Mayline Group specified carrier to one location, F.O.B. – Shipping Point. For a single order totaling less than \$5,000 List, a flat 8% of the total list price will be added to the invoice. These freight terms apply to shipments within the 48 contiguous states and Canadian provinces sharing a border with the 48 contiguous states. Contact Customer Service at 1-800-822-8037 for the complete Canadian Dealer Program.

We will use our best judgement for choice of carrier, without assuming responsibility for delays. To meet the \$5,000 minimum for free freight, product can be combined from any Mayline Group company and must ship to one location. Absorbed freight charges are for dock-to-dock deliveries only, and DO NOT INCLUDE INSIDE DELIVERY, LIFTGATE, CALL IN ADVANCE, OR OTHER ACCESSORIAL CHARGES. Minimum Freight Charge = \$75.00 U.S.

If a carrier other than that selected by Mayline is requested, it is up to the customer to make those arrangements. Mayline will not provide actual freight quotes. Actual freight charges will be billed.

For orders totaling less than \$5,000 at list and shipping via UPS, freight will be billed at 8% of the total list price. Minimum UPS charge is \$7.00.

### UPS Shipments

Maximum Size - 184" length and girth combined

Maximum Weight - 100 lbs. per package

Packages over 84" in length and girth, may incur extra charges. Maximum length is 108".

### Changes and Cancellations

All cancellations must be confirmed in writing and received three days prior to ship date to be allowed. CUSTOM/SPECIAL PRODUCTS CANNOT BE CANCELED AFTER PRODUCTION HAS BEEN STARTED.

### Shortages and Damage

Mayline Group will be responsible for filing claims, in their name, for damaged or lost freight and sending out replacement orders at NO CHARGE under the following conditions:

1. Product is shipped via a Mayline Group specified common carrier.
2. Noticeable damage to the carton or product, and/or missing product must be noted on the delivery receipt. Brief descriptions of the damage are also necessary, i.e. "two File Harbor cabinets damaged near top front, and one C-File carton punctured."
3. The recipient must call the delivering carrier to schedule an inspection. All product and packaging must be saved until the inspection takes place.
4. The dealer must call Mayline at 1-800-822-8037 to report the damage or shortage situation to the Transportation Specialist.

For cases of concealed damage, Mayline will take responsibility for placing the freight claim under the following conditions:

1. Product is shipped via a Mayline Group specified common carrier.
2. Damage is reported to the carrier and Mayline within 7 calendar days of receipt.
3. The recipient must call the delivering carrier to schedule an inspection. All product and packaging must be saved until the inspection takes place.
4. Replacement orders will be sent out at a charge.
5. Mayline will credit the dealer 100% of what we receive in reimbursement from the carrier on the claim.

If the dealer specifies their own carrier, they assume full responsibility for any freight claims. This includes collect and 3rd party billing shipments. Under these circumstances, replacement orders will be sent out at a charge.

### Custom Orders

All orders for non-standard product or finishes must be made in writing and may be subject to minimum order quantities, up-charges and extended lead times. Please contact Mayline Group Customer Service for details. Custom orders are NON-CANCELABLE AND NON-RETURNABLE. **All orders for Mobile Aisle product are considered custom.**

### Returns

All merchandise requested to be returned to the originating manufacturer must first be approved and issued a **Return Goods Authorization (RGA)** number. Please contact the customer service department for an authorized return goods number. All returned product must be packed in original cartoning and in sellable condition. Only product shipped from the originating manufacturer within the past 30 days may be returned. All product must be returned within 30 days of return authorization date or RGA will be cancelled. **Mobile Aisle product is considered custom and cannot be returned.**

A 30% refurbishing charge will be applied on all authorized returns for resalable merchandise. The customer is required to pay for the return freight costs. Product must be returned in good condition or the restocking fee may be increased accordingly. If product is poorly packaged and damaged, the freight claim must be pursued by the dealer. Mayline will not issue credit.

All items purchased from wholesale distribution, must be returned through the wholesaler.

### Taxes

Resale and/or exemption certificates are required for the state in which the purchaser is located. In the event the Seller is not registered to collect sales tax in the state of the Purchaser, the Purchaser is required to remit any applicable sales tax to its state and local taxing authority.

### Customer's Own Material

For C.O.M. orders, please contact our Customer Service Department for details and restrictions for laminates and fabrics not provided by us.

### Special Notice

Conditions or trends occasionally necessitate minor changes in materials, color, or design. Specifications and pricing are subject to change without notice.

---

## ***SPECIAL DISCOUNT PROGRAMS***

---

### **4-Post Shelving:**

Get an extra 10% discount on all 4-Post Shelving (*stationary or mobile*) orders over \$30,000 list. This includes Mobile Aisle, Mobile Lite, and Kwik-Track Mobile Systems.

### **Seating:**

For orders of 10 or more chairs, Mayline will extend an additional 10% discount over the dealer's standard discount.

---

## ***WHITE GLOVE DELIVERY & ASSEMBLY SERVICE***

---

Mayline Group is expanding its **White Glove Delivery and Assembly Service** to several more of its lines (see below). Your entire order will be delivered to the destination of your choice, fully assembled, and all packaging associated with the product will be removed **for a charge of 10% of list**. Minimum charge is \$200 (\$100 for Seating).

### **Product Lines Included:**

- |                           |                          |                    |                           |                            |
|---------------------------|--------------------------|--------------------|---------------------------|----------------------------|
| • REAL Office (all lines) | • CSII                   | • Mailflow Systems | • Seating (\$100 minimum) | 1-9 qty. . . . . \$35/ea   |
| • File Harbor             | • VariTask (all lines)   | • Mailflow-To-Go   |                           | 10-24 qty. . . . . \$30/ea |
| • Talon                   | • Plan Files (all lines) |                    |                           | 25-49 qty. . . . . \$25/ea |
|                           |                          |                    |                           | 50+ qty. . . . . \$20 ea   |

### **White Glove Delivery & Assembly Service Includes:**

- Product inspection prior to delivery
- Delivery by a uniformed two-person crew to virtually any zip code within the 48 contiguous states
- Complete product assembly and placement
- Removal of all packaging from premises
- Standard freight policy still applies

### **Additional Charges May Apply:**

- \$200 surcharge for zip codes in remote locations (*see website for details*)
- \$25 charge for each flight of stairs over two flights (*12 steps per flight*)
- \$100 charge for specific delivery appointment times (*4 hour appointment window is standard*)
- \$50 charge for refusal prior to delivery
- Refusals will be charged the normal delivery rate
- Storage charges after 15 days will be billed at \$20 per piece for every 15 days

\* **Contact Customer Service at 800-822-8037 or visit the Online Resource Center on our homepage at [www.mayline.com](http://www.mayline.com).**



**LOOK FOR THIS SYMBOL  
THROUGHOUT THE PRICE LIST  
FOR PRODUCTS THAT APPLY!**

---

## ***LIMITED LIFETIME WARRANTY – Effective September 1, 2007***

---

The Mayline Group promises to repair or replace any Mayline Group (*includes Mayline Company, Tiffany Industries, and Kwik-File*) brand product or component manufactured after 1/1/2000, that is defective in material or workmanship for as long as the original purchaser owns it. This is the sole and exclusive remedy. This warranty is subject to limitations, exclusions and other provisions detailed below.

### **Limitations involving materials and components:**

The materials and components listed below are covered according to the following schedule from the date of sale:

**Ten Years:** Electrical components, seating controls, seating pneumatic cylinders, wood seating components.

**Five Years:** Fabric and leather seating upholstery, seating foam, seating armrests, and veneer finishes.

### **Exclusions:**

**This warranty does not apply to:**

- Normal wear and tear, which is to be expected over the course of ownership.
- Damage caused by the carrier in-transit, which will be handled under Mayline Group's Freight Damage policy.
- Modifications or attachments to the product that are not approved by Mayline Group.
- Products that were not installed, used or maintained in accordance with product instructions and warnings.
- Products used for rental purposes.

### **Seating Usage:**

Normal commercial usage for seating is to be defined as the equivalent of a single shift within a 40-hour workweek. To the extent that a seating product is used in a manner exceeding this, the applicable warranty period will be reduced in a pro-rata manner. (*excluding Model 2424AG which is warranted for multiple shifts*)

**Note:** *Some natural variations occurring in wood or leather materials are inherent in their character, and cannot be avoided. Mayline Group does not warrant the color-fastness or matching of colors, grains, or textures of such materials.*

TO THE EXTENT ALLOWED BY LAW, THE MAYLINE GROUP MAKES NO OTHER WARRANTY, EITHER EXPRESSED OR IMPLIED. THE MAYLINE GROUP WILL NOT BE LIABLE FOR ANY CONSEQUENTIAL OR INCIDENTAL DAMAGES.



# 2008 Corporate Color Program

---

For many of Mayline Group's product lines, an extensive standard corporate color program is available. Mayline has partnered with Nevamar and Wilsonart to offer over 450 standard laminates. Mayline has also partnered with Interface (Guilford of Maine) to offer over 250 standard fabrics for privacy screens and fabric partitions. These partnerships, along with Mayline Group's standard paint finishes, combine into one of the broadest offerings in the industry. This program is offered with no upcharges, minimum quantities, or extended lead times. Look for the



symbol throughout the Price List for product lines offered with this Corporate Color Program. Select product lines with limited finish options are noted individually. For examples of all standard finishes, please refer to Mayline Group's Corporate Color Chart or visit [www.mayline.com](http://www.mayline.com).

## Paints

---

Available on the following product lines: VariTask, Matrix, CSII, Communication Station, Meeting Plus, Mobile Aisle, Four Post Shelving, File Harbor Cabinets, Forms and Storage Cabinets, ARC Rotary Files, Steel Plan Files, Steel Drawing Tables, and Mailflow Systems.

Black	Hunter	Desert Sage	Pebble Gray	Cranberry
Graphite	Medium Tone	Sand Beige	Warm White	Gray
Navy	Blue Medium	Mist	White	Sand

**Note:** Mailflow-to-Go is available in Pebble Gray only.

## High Pressure Laminates (T-mold Colors)

---

All high-pressure laminates are available on the following product lines: VariTask, TechWorks, Maytrix, CSII, Communication Station, Meeting Plus, T-Mate, Periscope, Accorde, Geneva, and Mailflow Systems.

- Colors shown in parentheses are default T-mold colors. Other T-mold/Laminate color combinations can be mixed and matched at no additional charge but available only on written request.
- Access to ALL standard Wilsonart and Nevamar laminates is available at no upcharge with a maximum 4-week production lead-time.

**Note:** Premium laminates are excluded, contact a Mayline Group customer service representative for a quote.

Nebula Graphite (Black)	Storm Gray Matrix (Black)	Nebula Gray (Ice Gray)	Shadow (Black)	Smoke Essence (Warm Gray)
Fashion Gray (Ice Gray)	Pepperdust (Black)	Dreamy Allusion (Black)	Bronze Legacy(Taupe)	Windswept Pewter (Warm Gray)
Classic Rock (Taupe)	Crown Cherry (Black)	Pearwood (Black)	White Essence (Ice Gray)	Sidewalk Cafe (Taupe)
Alpine Essence (Warm Gray)	Mahogany (Black)	Maple (Black)	Oak (Taupe)	*Gray ESD (Black)

\*TechWorks & Maytrix only.

## Thermally-Fused Low Pressure Laminates (T-mold Colors) (subject to availability, see below)

---

All thermally-fused low-pressure laminates are available on the following product lines: VariTask, TechWorks, Maytrix, and Mailflow Systems.

**Note:** eLan is available in Ice Gray only.

**Note:** Mailflow-to-Go is available in Birch with Ice Gray t-mold only.

Low-pressure laminates are shown with standard, default T-mold edging colors. T-mold and low-pressure laminate colors can be mixed and matched at no additional charge but available only on written request.

Speckled Gray Matrix (Ice Gray)	Fog Gray (Warm Gray)	Ice Gray (Ice Gray)
Banister Oak (Taupe)	Birch (Taupe)	

## Conclave/Encounter/Eastwinds Surfaces

---

Conclave tables available in Rosewood and Anthracite. Encounter tables available in Folkstone and Cherry. Eastwinds available in Anthracite and Medium Cherry.

## REAL Office Veneers

---

Mahogany (Walnut Veneer)	Sierra Cherry (Cherry Veneer)	Golden Cherry (Beech Veneer)
--------------------------	-------------------------------	------------------------------

## REAL Office Laminates

---






Mocha (All Surfaces)	Cherry (All Surfaces)	Cherry with Graphite
----------------------	-----------------------	----------------------






# Table of Contents

Page







## Casegoods

Aberdeen Series.....		6
Toscana Series.....		24
Corsica® Series.....		35
Napoli® Series.....		51
Lounge Furniture.....		66




## Modular Workstations

CSII.....			68
Communication Station®.....			89












## Seating

Ultimo Leather Series.....		94
Mercado Leather Series.....		97
Comfort Series.....		101
Comfort Series Big & Tall.....		103
Technical Series.....		104
Stacking Chairs.....		104










## Conference & Training Room Furniture

Meeting Plus Tables.....			106
Talon® Tables.....			108
Conclave® Tables.....			110
Encounter Tables.....			111
T-Mate Tables.....			112
Periscope® Tables.....			113
Accorde Conference Tables.....			114
Geneva Conference Tables.....			115
Accessories.....			116














## Height Adjustable Workstations

VariTask® Basic.....			120
VariTask® E-Series.....			121
VariTask® Classic.....			123
VariTask® Stealth.....			124
VariTask® XR.....			125
Ergonomic Accessories.....			126

## Filing & Storage

Mobile Aisle.....			130
Mobile Lite.....			133
Four Post Shelving.....			135
The Security Shade.....			147
X-Ray Shelving.....			147
File Harbor Cabinets.....			149
Forms & Storage Cabinets.....			155
ARC Rotary Files.....			159

# Table of Contents *continued*

	<b>Page</b>
<b>Filing &amp; Storage continued</b>	
ARC-in-the-Box..... 	159
Flip 'n File.....	164
Decorative Enhancements.....	165
Insertables..... 	167
Filing Carts.....	168
Mobilizers.....	169
Pedestals.....	169
Vertical Hanging Files.....	170
Plan Files.....  	172
<b>Mailroom Furniture</b>	
Mailflow Systems®.....  	178
Mailflow-To-Go..... 	201
<b>Network Enclosures &amp; Racks</b>	
Data/LAN Cabinets (DLC)..... 	206
Seismic Cabinet.....	208
CableMax® Cabinet.....	209
JetStream Cabinet.....	210
Co-Lo Cabinet®.....	211
Standard Data Cabinets (SDC)..... 	212
Common Cabinet Accessories..... 	213
Dual Adjustable Rack.....	216
TechWorks®..... 	217
Maytrix..... 	224
e*LAN.....	230
NetStart.....	231
<b>Small Office/Home Office</b>	
Eastwinds.....	234
Machine Stands.....	237
<b>Drafting Furniture</b>	
Drawing Tables.....	242
ProKits.....	248
Straightedges.....	249
Vertical Hanging Files.....	253
Plan Files..... 	255
<b>Product Index</b>	
Index.....	261



Mayline Group's 72-Hour Kwik-Ship program features over 200 standard items. Orders are limited to 5 of any single model with no limitation to the total number of models per order. Kwik-Ship products are designated throughout the price list by a '\*' symbol to the left of the model number. Available Kwik-Ship colors are listed at the beginning of each product line section.

# *Casegoods*

---



---

**Aberdeen Series**  
**Toscana Series**  
**Corsica Series**  
**Napoli Series**

# ABERDEEN SERIES

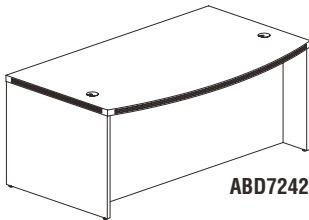
Mayline Customer Service: 1-800-822-8037

The Aberdeen Series of laminate casegoods combine fashionable aesthetics and unparalleled quality all in a package that is surprisingly affordable. Aberdeen's transitional style allows it to fit into any environment whether it be modular multi-station work areas or executive offices. Aberdeen provides exceptional abrasion and stain resistance along with technology and cable friendly components. Available in three finishes: Cherry, Mocha and Two-Tone Cherry/Graphite.



## BOW FRONT DESK

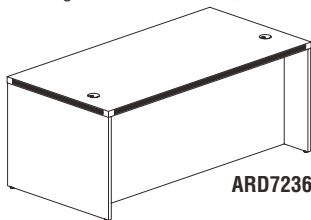
- 1 5/8" thick work surface.
- Full-height, vertical grain, modesty panel included.
- Modesty panel is recessed 14 1/2" at center.
- Two grommets in surface, standard.



Model No.	Description	Dimensions	Wt.	List Price
ABD7242	72" Bowfront Desk	72"W x 42"D x 29 1/2"H	233#	\$599
ABD6642	66" Bowfront Desk	66"W x 42"D x 29 1/2"H	220#	\$569

## CONFERENCE FRONT DESK

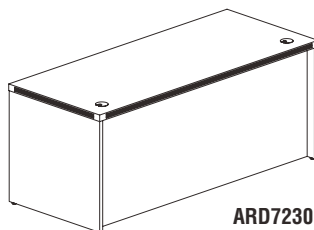
- 1 5/8" thick work surface.
- Full-height, vertical grain, modesty panel included.
- Modesty panel is recessed 8 1/2" at center.
- Two grommets in surface, standard.



Model No.	Description	Dimensions	Wt.	List Price
ARD7236	72" Rectangular Conference Desk	72"W x 36"D x 29 1/2"H	215#	\$519

## STRAIGHT FRONT DESK

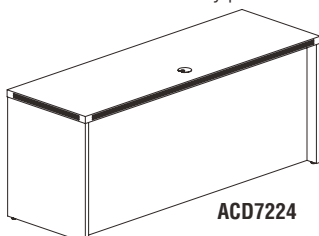
- 1 5/8" thick work surface.
- Full-height, vertical grain, modesty panel included.
- Modesty panel is recessed 2 1/2".
- Two grommets in surface, standard.



Model No.	Description	Dimensions	Wt.	List Price
ARD7230	72" Rectangular Desk	72"W x 30"D x 29 1/2"H	188#	\$479
ARD6630	66" Rectangular Desk	66"W x 30"D x 29 1/2"H	177#	\$449
ARD6030	60" Rectangular Desk	60"W x 30"D x 29 1/2"H	167#	\$419

## CREDENZA

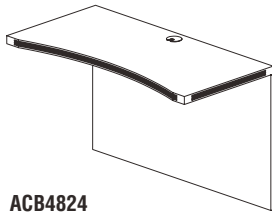
- 1 5/8" thick work surface.
- Full-height, vertical grain, modesty panel included.
- Modesty panel is recessed 3" for outlet clearance.
- One grommet in surface, standard.
- Mouse hole in modesty panel for cable pass through



Model No.	Description	Dimensions	Wt.	List Price
ACD7224	72" Credenza	72"W x 24"D x 29 1/2"H	160#	\$419
ACD6624	66" Credenza	66"W x 24"D x 29 1/2"H	151#	\$399
ACD6024	60" Credenza	60"W x 24"D x 29 1/2"H	142#	\$379



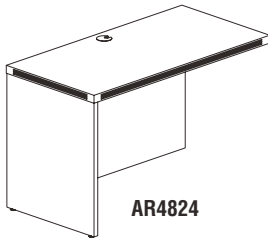
**BRIDGE**



- Universal mounting to right or left side of desk.
- Not free-standing. Requires connection to credenza and desk.
- 1 5/8" thick work surface.
- Full-height, vertical grain modesty panel included.
- Modesty panel is flush.
- One grommet in surface, standard.
- Mouse hole in modesty panel for cable pass through.

Model No.	Description	Dimensions	Wt.	List Price
<b>ACB4824</b>	48" Curved Bridge	48"W x 24"D x 29 1/2"H	74#	\$259
<b>ACB4224</b>	42" Curved Bridge	42"W x 24"D x 29 1/2"H	63#	\$239

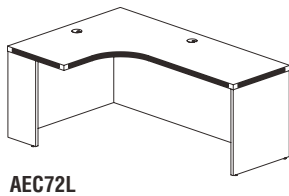
**RETURN**



- Returns are non-handed.
- Not free-standing. Requires connection to credenza, desk or extended corner.
- Mouse hole in modesty panel for cable pass through.
- Modesty panel is recessed 2 1/2".
- One grommet in surface, standard.
- 1 5/8" thick work surface.
- Full-height, vertical grain modesty panel included.

Model No.	Description	Dimensions	Wt.	List Price
<b>AR4824</b>	48" Return	48"W x 24"D x 29 1/2"H	105#	\$299
<b>AR4224</b>	42" Return	42"W x 24"D x 29 1/2"H	96#	\$269
<b>AR3624</b>	36" Return	36"W x 24"D x 29 1/2"H	87#	\$249
<b>AR3024</b>	30" Return	30"W x 24"D x 29 1/2"H	77#	\$229

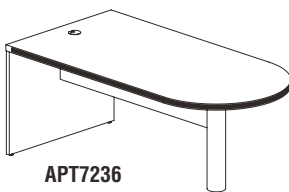
**EXTENDED CORNER**



- 1 5/8" thick work surface.
- Full-height, vertical grain, modesty panel included.
- Modesty panel is recessed 3" for outlet clearance on desk side and flush on return side.
- Two grommets in surface, standard.
- Mouse hole in modesty panel (desk side) for cable pass through.

Model No.	Description	Dimensions	Wt.	List Price
<b>AEC72L</b>	72" Left Extended Corner Table	72"W x 48"D x 24"D Return	218#	\$669
<b>AEC72R</b>	72" Right Extended Corner Table	72"W x 48"D x 24"D Return	218#	\$669
<b>AEC66L</b>	66" Left Extended Corner Table	66"W x 48"D x 24"D Return	204#	\$629
<b>AEC66R</b>	66" Right Extended Corner Table	66"W x 48"D x 24"D Return	204#	\$629

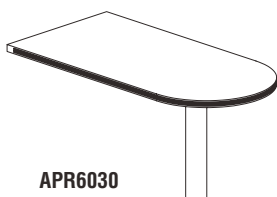
**FREESTANDING PENINSULA DESK**



- 1 5/8" thick work surface.
- Modesty panel is 12"H.
- One grommet in surface, standard.
- Mouse hole in modesty panel for cable pass through.

Model No.	Description	Dimensions	Wt.	List Price
<b>APT7236</b>	72" Freestanding Peninsula	72"W x 36"D x 29 1/2"H	172#	\$579

**PENINSULA RETURN**



- Not free-standing. Requires connection to credenza or desk.
- No grommet.
- No modesty panel.

Model No.	Description	Dimensions	Wt.	List Price
<b>APR6030</b>	60" Peninsula Return	60"W x 30"D x 29 1/2"H	80#	\$395

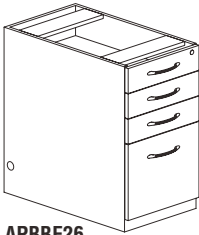
**PEDESTAL FILE FOR DESK**



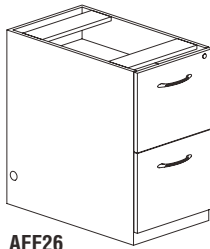
**APBF26**

- Pedestals have integrated cable management access at top and bottom of ped.
- Ped tops are unfinished. Must be attached to underside of surface.
- Pedestals feature dual-purpose pencil drawers for storing supplies or storing laptop computers.
- All locks are keyed alike. Lock cores are removable for keying suites individually.
- Curved metal pulls with brushed nickel finish.
- File drawers accommodate letter or legal size hanging file folders.
- Pedestals ship fully assembled.

Model No.	Description	Dimensions	Wt.	List Price
<b>APBF26</b>	Suspended Desk PBF Ped	15 1/4"W x 26 1/2"D x 22 1/2"H	76#	\$329
<b>APBBF26</b>	Desk PBBF Ped	15 1/4"W x 26 1/2"D x 27 1/2"H	90#	\$449
<b>AFF26</b>	Desk FF Ped	15 1/4"W x 26 1/2"D x 27 1/2"H	86#	\$429



**APBBF26**



**AFF26**

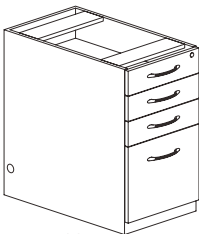
**PEDESTAL FILE FOR CREDENZA/RETURN/EXTENDED CORNER**



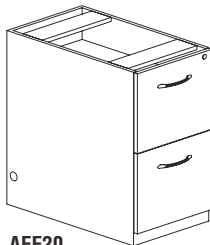
**APBF20**

- Pedestals have integrated cable management access at top and bottom of ped.
- Ped tops are unfinished. Must be attached to underside of surface.
- Pedestals feature dual-purpose pencil drawers for storing supplies or storing laptop computers.
- All locks are keyed alike. Lock cores are removable for keying suites individually.
- Mobile kit contains 1" thick surface and five (5) casters to be used ONLY on the APBF20.
- Curved metal pulls with brushed nickel finish.
- File drawers accommodate letter or legal size hanging file folders.
- Pedestals ship fully assembled.

Model No.	Description	Dimensions	Wt.	List Price
<b>APBF20</b>	Suspended Credenza PBF Ped	15 1/4"W x 20"D x 22 1/2 "H	66#	\$295
<b>APBBF20</b>	Credenza PBBF Ped	15 1/4"W x 20"D x 27 1/2 "H	75#	\$399
<b>AFF20</b>	Credenza FF Ped	15 1/4"W x 20"D x 27 1/2 "H	74#	\$379
<b>AMK20</b>	Credenza Mobile Kit		14#	\$99

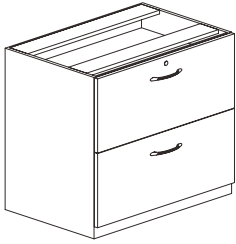


**APBBF20**



**AFF20**

**LATERAL FILE FOR CREDENZA/RETURN/EXTENDED CORNER**



ACLF30

- Credenza Laterals slide easily under any surface.
- Credenza Lateral top is unfinished.
- Drawers can support up to 150 lbs. each.
- Curved metal pulls with brushed nickel finish.

Model No.	Description	Dimensions	Wt.	List Price
ACLF30	30" Credenza Lateral File	30"W x 20"D x 27 1/2"H	110#	\$489
ACLF36	36" Credenza Lateral File	36"W x 20"D x 27 1/2"H	126#	\$549

**FREESTANDING LATERAL FILE**



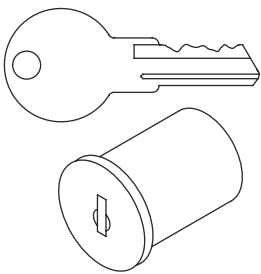
AFLF30

- 1 5/8" surface allows it to be used alone or next to any credenza or return.
- Drawers can support up to 150 lbs. each.
- Drawers can be configured for front-to-back or side-to-side filing.
- Curved metal pulls with brushed nickel finish.

Model No.	Description	Dimensions	Wt.	List Price
AFLF30	30" Freestanding Lateral File	30"W x 24"D x 29 1/2"H	201#	\$649
AFLF36	36" Freestanding Lateral File	36"W x 24"D x 29 1/2"H	240#	\$699

**REPLACEMENT LOCK CORES**

- Allows pedestals and laterals to be keyed uniquely.
- Master key available.
- Must purchase a core removal tool to change locks cores.



REALCC0100

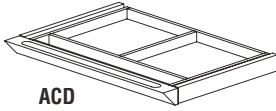
Model No.	Description	Wt.	List Price
REALCC0100	Replacement core with keys	1#	\$15
REALCC0101	Replacement core with keys	1#	\$15
REALCC0102	Replacement core with keys	1#	\$15
REALCC0103	Replacement core with keys	1#	\$15
REALCC0104	Replacement core with keys	1#	\$15
REALCC0105	Replacement core with keys	1#	\$15
REALCC0106	Replacement core with keys	1#	\$15
REALCC0107	Replacement core with keys	1#	\$15
REALCC0108	Replacement core with keys	1#	\$15
REALCC0109	Replacement core with keys	1#	\$15
REALCCRC	Core removal tool	1#	\$15
REALCCMK	Master Key	1#	\$15

## ABERDEEN SERIES

Mayline Customer Service: 1-800-822-8037

## CENTER DRAWER

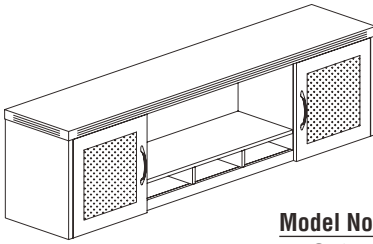
- Can be used under any worksurface.
- Solid wood frame construction.
- Drawer operates smoothly on full-extension ball bearing suspension.
- Available in graphite with black drawer front only.



ACD

Model No.	Description	Dimensions	Wt.	List Price
ACD	Center Drawer	25"W x 18"D x 2"H	32#	\$119

## WALL MOUNT HUTCH

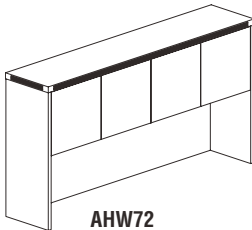


AWG72

- Hutch with two textured glass doors, central opening and pigeon hole slots.
- Central opening sized for binder storage.
- Wall mounting brackets included.
- Curved metal pulls with brushed nickel finish.

Model No.	Description	Dimensions	Wt.	List Price
AWG72	72" Wall Mount Hutch	72"W x 15"D x 19 1/8"H	121#	\$799

## HUTCH WITH WOOD DOORS

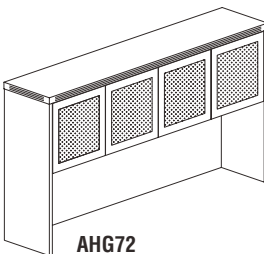


AHW72

- Features four cabinet styled doors with self-closing hinges.
- Back panel features two cable grommets.
- 21 1/2" clearance between work surface and bottom of shelf.
- Accepts optional fabric tack panel and task light.

Model No.	Description	Dimensions	Wt.	List Price
AHW72	72" Hutch with Wood Doors	72"W x 15"D x 39 1/8"H	142#	\$499
AHW66	66" Hutch with Wood Doors	66"W x 15"D x 39 1/8"H	134#	\$469
AHW60	60" Hutch with Wood Doors	60"W x 15"D x 39 1/8"H	126#	\$439

## HUTCH WITH GLASS DOORS



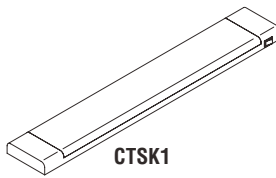
AHG72

- Textured glass highlight cabinet contents and still provide privacy.
- Glass is tempered for safety and durability.
- Features four cabinet styled doors with self-closing hinges.
- Back panel features two cable grommets.
- 21 1/2" clearance between work surface and bottom of shelf.
- Accepts optional fabric tack panel and task light.

Model No.	Description	Dimensions	Wt.	List Price
AHG72	72" Hutch with Glass Doors	72"W x 15"D x 39 1/8"H	142#	\$699
AHG66	66" Hutch with Glass Doors	66"W x 15"D x 39 1/8"H	134#	\$669
AHG60	60" Hutch with Glass Doors	60"W x 15"D x 39 1/8"H	126#	\$639



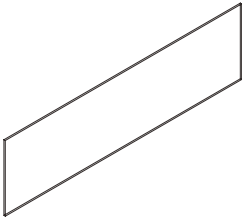
**HUTCH TASK LIGHT**



- Task lighting attached to underside of hutch.
- Uses two energy efficient 13W T8 bulb.
- Includes diffuser lens.

Model No.	Description	Dimensions	Wt.	List Price
CTSK1	Task Light	21 1/2"W x 3 1/4"D x 1 1/4"H	5#	\$99

**HUTCH TACK PANEL**

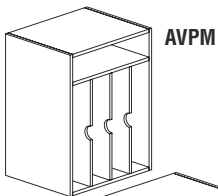


AFTP72

- Tack panel attaches to hutch back panel using adhesive tape.
- Allows for access to the hutch's grommet for cable management.
- Available in Black fabric only.

Model No.	Description	Dimensions	Wt.	List Price
AFTP72	72" Fabric Tack Panel	66 5/8"W x 1/2"D x 19 1/4"H	6#	\$139
AFTP66	66" Fabric Tack Panel	63 3/4"W x 1/2"D x 19 1/4"H	6#	\$119
AFTP60	60" Fabric Tack Panel	57 3/4"W x 1/2"D x 19 1/4"H	5#	\$109

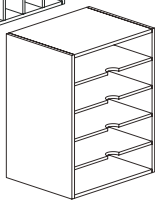
**PAPER MANAGEMENT ORGANIZERS**



AVPM

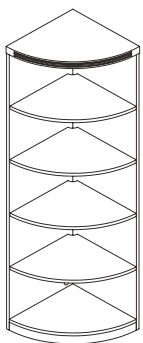
- Pigeon hole slots can accommodate "legal" sized documents.
- Sized to fit under hutch.
- Mocha or Cherry finish only.

Model No.	Description	Dimensions	Wt.	List Price
AVPM	Vertical Paper Management	15"W x 11 3/4"D x 20 1/4"H	31#	\$139
AHPM	Horizontal Paper Management	15"W x 11 3/4"D x 20 1/4"H	32#	\$139



AHPM

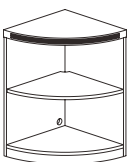
**BOOKCASES**



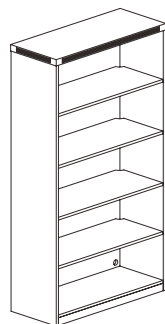
ABQ5

- Shelves are adjustable on 32mm increments.
- Shelves contain corner mouse holes for vertical cable management.
- Back panel provides grommet for wall access.

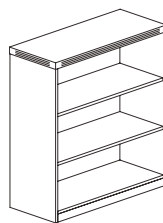
Model No.	Description	Dimensions	Wt.	List Price
ABQ5	5 Shelf Quarter Round (1 fixed shelf)	19"W x 19"D x 68 3/4"H	108#	\$379
ABQ2	2 Shelf Quarter Round (1 fixed shelf)	19"W x 19"D x 29 1/2"H	80#	\$199
AB5S36	5 Shelf Bookcase (1 fixed shelf)	36"W x 15"D x 68 3/4"H	175#	\$469
AB3S36	3 Shelf Bookcase	36"W x 15"D x 39 1/8"H	117#	\$389
AB2S36	2 Shelf Bookcase	36"W x 15"D x 29 1/2"H	93#	\$319



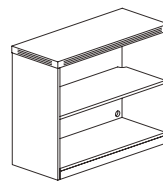
ABQ2



AB5S36



AB3S36



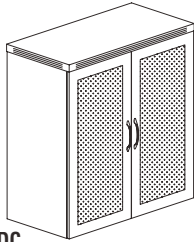
AB2S36

**PERSONAL STORAGE TOWER**

APST

- Includes 7 3/4" wardrobe section with a hanging rod and 4 adjustable shelves.
- Storage section includes two adjustable shelves on 32mm increments.
- File section includes two file drawers.
- Curved metal pulls with brushed nickel finish.
- Ships in two cartons.

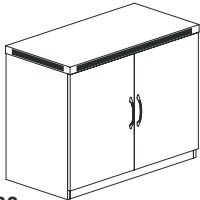
Model No.	Description	Dimensions	Wt.	List Price
APST	Personal Storage Tower	24"W x 24"D x 68 3/4"H	248#	\$799

**GLASS DISPLAY CABINET**

AGDC

- Textured glass highlight cabinet contents and still provide privacy.
- Glass is tempered for safety and durability.
- Two (2) adjustable shelves on 32mm increments.
- Curved metal pulls with brushed nickel finish.
- Grommet in back panel for wall access.
- Mouse hole in shelf to permit vertical routing of cables.

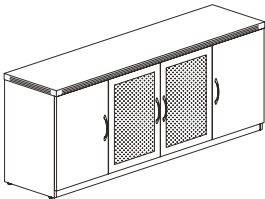
Model No.	Description	Dimensions	Wt.	List Price
AGDC	Glass Display Cabinet	36"W x 18"D x 39 1/4"H	135#	\$649

**STORAGE CABINET**

ASC

- Self-closing hinged doors.
- One shelf adjustable on 32mm increments.
- Shelf contains corner mouse hole for vertical cable management.
- Mouse hole in back panel for wall access.
- Curved metal pulls with brushed nickel finish.

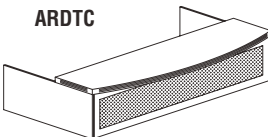
Model No.	Description	Dimensions	Wt.	List Price
ASC	Storage Cabinet	36"W x 18"D x 29 1/2"H	132#	\$499

**LOW WALL CABINET**

ALC

- Self-closing hinged doors.
- One shelf adjustable on 32mm increments.
- Shelf contains corner mouse hole for vertical cable management.
- Mouse hole in back panel for wall access.
- Curved metal pulls with brushed nickel finish.

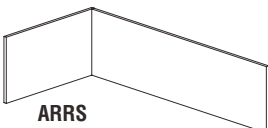
Model No.	Description	Dimensions	Wt.	List Price
ALC	Low Wall Cabinet	72"W x 18"D x 29 1/2"H	173#	\$899

**RECEPTION ACCESSORIES**

ARDTC

- For main reception desk. To be used on ARD7236.
- Textured glass front panel.
- 1 5/8" thick bow front transaction counter.
- Transaction counter measures 72"H x 21"D x 15 5/8"H.

Model No.	Description	Dimensions	Wt.	List Price
ARDTC	72" Reception Transaction Counter	72"W x 42"D x 15 5/8"H	113#	\$469

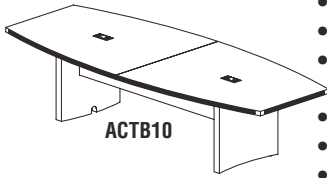


ARRS

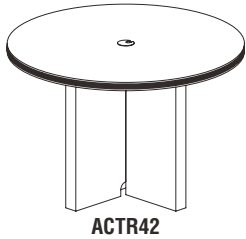
- To be used on top of desk return AR4824.
- Reception screen is symmetrical and non-handed.

Model No.	Description	Dimensions	Wt.	List Price
ARRS	48" Reception Return Screen	48"W x 24"D x 14"H	28#	\$159

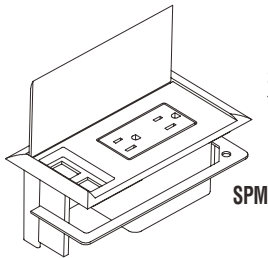
**CONFERENCE TABLES**



- 1 5/8" thick work surface.
- Surfaces feature hollow core construction.
- Boat-shaped conference tables standard with two grommets
- Boat-shaped conference tables accept power module for power and data access to operate computers and presentation equipment during meetings.
- Round conference tables have one round grommet.
- Conference table legs have cable chimney for concealed cable management from surface to floor.
- Tops larger than 96" have multi-piece top surfaces connected via steel cam post and steel connecting plates.
- Large conference tables ship in multiple cartons.
- Structural modesty panel conceals horizontal cable management.

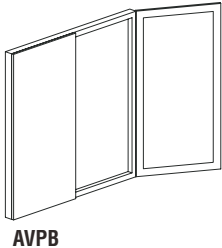


Model No.	Description	Dimensions	Wt.	List Price
<b>ACTB12</b>	12' Conference Table, Boat Surface	144"W x 48"D x 29 1/2"H	500#	\$1399
<b>ACTB10</b>	10' Conference Table, Boat Surface	120"W x 48"D x 29 1/2"H	416#	\$1169
<b>ACTB8</b>	8' Conference Table, Boat Surface	96"W x 48"D x 29 1/2"H	344#	\$969
<b>ACTB6</b>	6' Conference Table, Boat Surface	72"W x 36"D x 29 1/2"H	233#	\$659
<b>ACTR42</b>	42" Round Conference Table	42"Dia x 29 1/2"H	105#	\$465



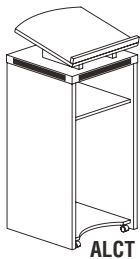
Model No.	Description	List Price
<b>SPM</b>	Optional Power Module [includes RJ11-Cat 3 coupler (phone) and RJ45-Cat3 coupler (data)]	\$186

**CONFERENCE ACCESSORIES**



- White dry-erase board in center panel that features magnetic, non-ghosting surface.
- Marker board can be used for projection.
- Sculpted lower tray holds markers, erasers, etc.
- Inside face of doors covered in tackable black fabric.
- Wall mounting brackets included.

Model No.	Description	Dimensions	Wt.	List Price
<b>AVPB</b>	Visual Presentation Board	48"W x 2 3/8"D x 48"H	80#	\$619



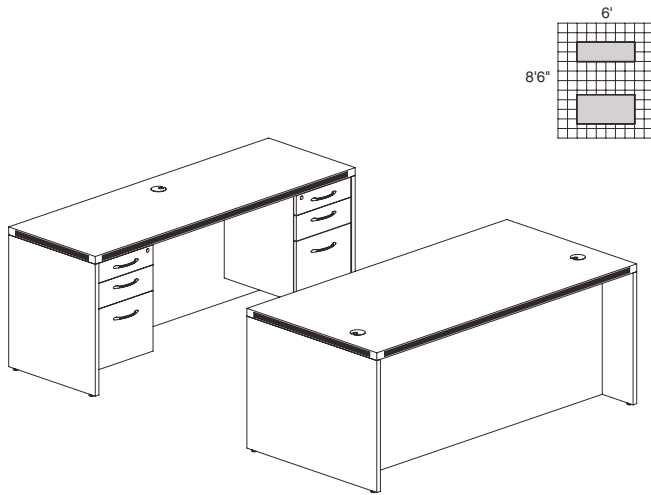
- One fixed shelf.
- Four casters, two locking concealed in lectern base.
- Angled stand has stop to prevent papers from sliding.

Model No.	Description	Dimensions	Wt.	List Price
<b>ALCT</b>	Lectern	18"W x 18"D x 44"H	78#	\$359

# ABERDEEN™ SERIES TYPICALS

Mayline Customer Service: 1-800-822-8037

• Order complete suites using "AT\_\_" models.



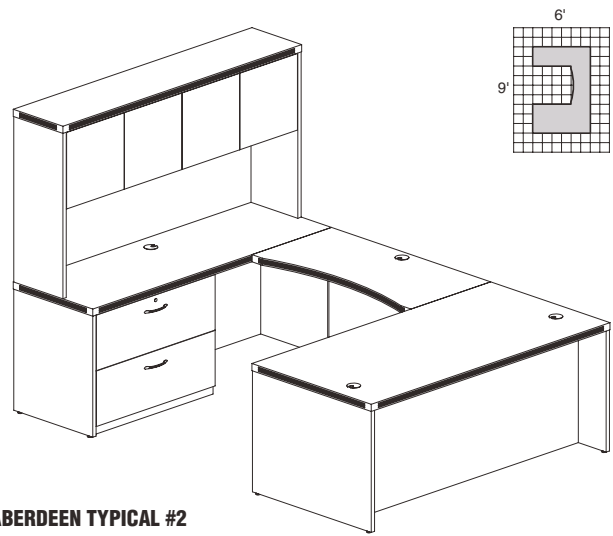
### ABERDEEN TYPICAL #1

Consists of:

QTY.	MODEL NO.	DESCRIPTION	LIST PRICE
1	<b>ARD7236</b>	Rectangular Conference Desk 72"W x 36"D	\$519
1	<b>ACD7224</b>	Credenza 72"W x 24"D	\$419
2	<b>APBF26</b>	Suspended Desk Pencil/Box/File Pedestal	\$658
2	<b>APBF20</b>	Suspended Credenza Pencil/Box/File Pedestal	\$590

**AT1**

**TOTAL: \$2,186**



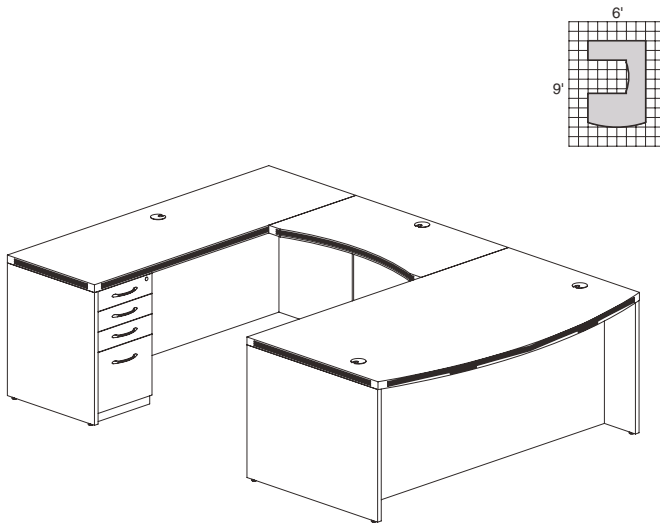
### ABERDEEN TYPICAL #2

Consists of:

QTY.	MODEL NO.	DESCRIPTION	LIST PRICE
1	<b>ARD7236</b>	Rectangular Conference Desk 72"W x 36"D	\$519
1	<b>ACD7224</b>	Credenza 72"W x 24"D	\$419
1	<b>ACB4824</b>	Contour Bridge 48"W x 24"D	\$259
1	<b>APBF26</b>	Suspended Desk Pencil/Box/File Pedestal	\$329
1	<b>ACLF36</b>	Credenza Lateral File 36"W x 20"D	\$549
1	<b>AHW72</b>	Hutch with Wood Doors 72"W	\$499

**AT2**

**TOTAL: \$2,574**



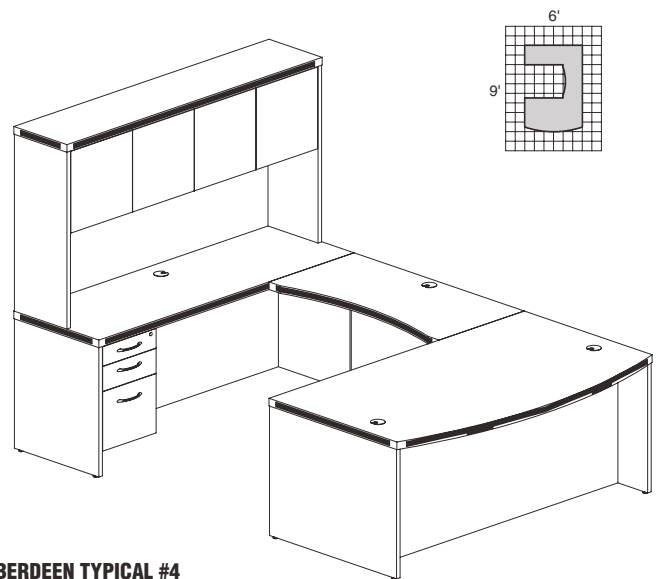
### ABERDEEN TYPICAL #3

Consists of:

QTY.	MODEL NO.	DESCRIPTION	LIST PRICE
1	<b>ABD7242</b>	Bowfront Desk 72"W x 42"D	\$599
1	<b>ACD7224</b>	Credenza 72"W x 24"D	\$419
1	<b>ACB4224</b>	Contour Bridge 42"W x 24"D	\$239
1	<b>APBBF26</b>	Desk Pencil/Box/Box/File Pedestal	\$449
1	<b>APBBF20</b>	Credenza Pencil/Box/Box/File Pedestal	\$399

**AT3**

**TOTAL: \$2,105**



### ABERDEEN TYPICAL #4

Consists of:

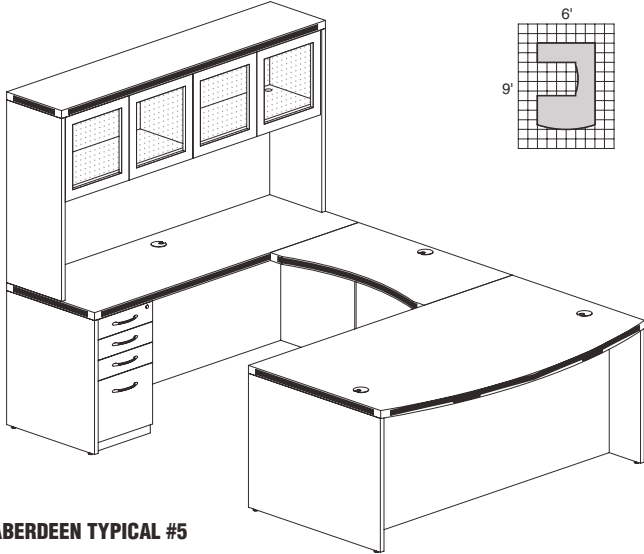
QTY.	MODEL NO.	DESCRIPTION	LIST PRICE
1	<b>ABD7242</b>	Bowfront Desk 72"W x 42"D	\$599
1	<b>ACD7224</b>	Credenza 72"W x 24"D	\$419
1	<b>ACB4824</b>	Contour Bridge 48"W x 24"D	\$259
1	<b>APBF26</b>	Suspended Desk Pencil/Box/File Pedestal	\$329
1	<b>APBF20</b>	Suspended Credenza Pencil/Box/File Pedestal	\$295
1	<b>AHW72</b>	Hutch with Wood Doors 72"W	\$499

**AT4**

**TOTAL: \$2,400**



• Order complete suites using "AT\_\_" models.



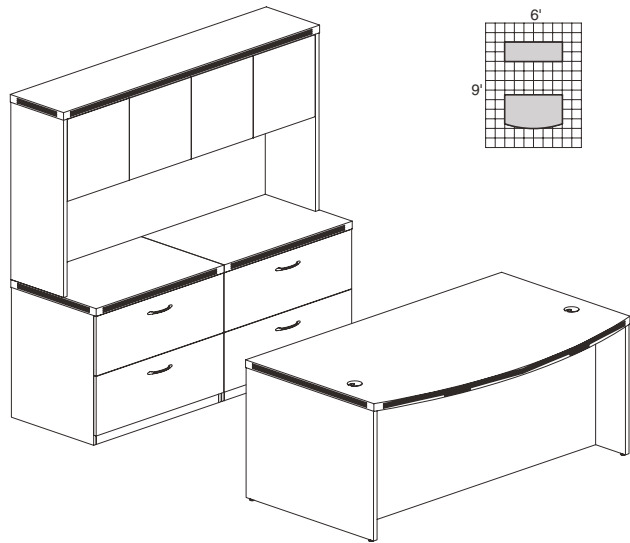
**ABERDEEN TYPICAL #5**

Consists of:

QTY.	MODEL NO.	DESCRIPTION	LIST PRICE
1	ABD7242	Bowfront Desk 72"W x 42"D	\$599
1	ACD7224	Credenza 72"W x 24"D	\$419
1	ACB4224	Contour Bridge 42"W x 24"D	\$239
1	APBBF26	Desk Pencil/Box/Box/File Pedestal	\$449
1	APBBF20	Credenza Pencil/Box/Box/File Pedestal	\$399
1	AHG72	Hutch with Glass Doors 72"W	\$699

**AT5**

**TOTAL: \$2,804**



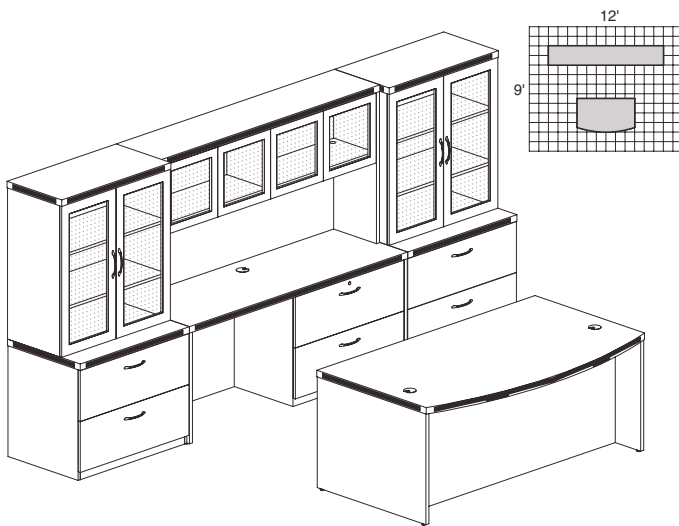
**ABERDEEN TYPICAL #6**

Consists of:

QTY.	MODEL NO.	DESCRIPTION	LIST PRICE
1	ABD7242	Bowfront Desk 72"W x 24"D	\$599
2	APBF26	Suspended Desk Pencil/Box/File Pedestal	\$658
2	AFLF36	Freestanding Lateral File 36"W x 24"D	\$1,398
1	AHW72	Hutch with Wood Doors 72"W	\$499

**AT6**

**TOTAL: \$3,154**



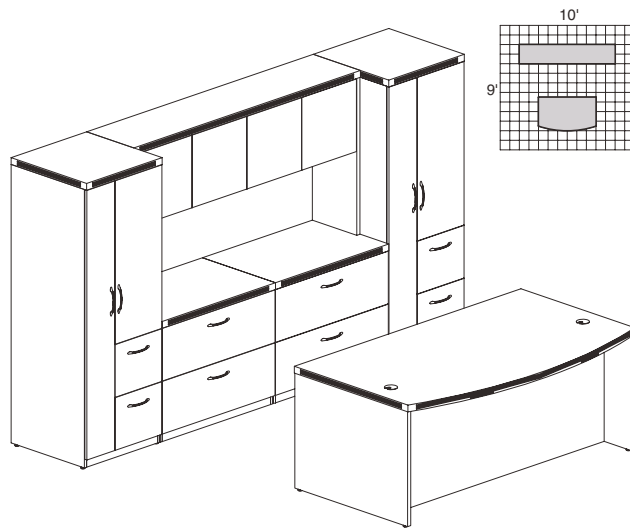
**ABERDEEN TYPICAL #7**

Consists of:

QTY.	MODEL NO.	DESCRIPTION	LIST PRICE
1	ABD7242	Bowfront Desk 72"W x 42"D	\$599
1	ACD7224	Credenza 72"W x 24"D	\$419
2	AFLF36	Freestanding Lateral File 36"W x 24"D	\$1,398
1	ACLF36	Credenza Lateral File 36"W x 20"D	\$549
2	AGDC	Glass Display Cabinet	\$1,298
2	APBF26	Suspended Desk Pencil/Box/File Pedestal	\$658
1	AHG72	Hutch with Glass Doors 72"W	\$699

**AT7**

**TOTAL: \$5,620**



**ABERDEEN TYPICAL #8**

Consists of:

QTY.	MODEL NO.	DESCRIPTION	LIST PRICE
1	ABD7242	Bowfront Desk 72"W x 42"D	\$599
1	APBBF26	Desk Pencil/Box/Box/File Pedestal	\$449
1	AFF26	Desk File/File Pedestal	\$429
2	AFLF36	Freestanding Lateral File 36"W x 24"D	\$1,398
2	APST	Personal Storage Tower	\$1,598
1	AHW72	Hutch with Wood Doors 72"W	\$499

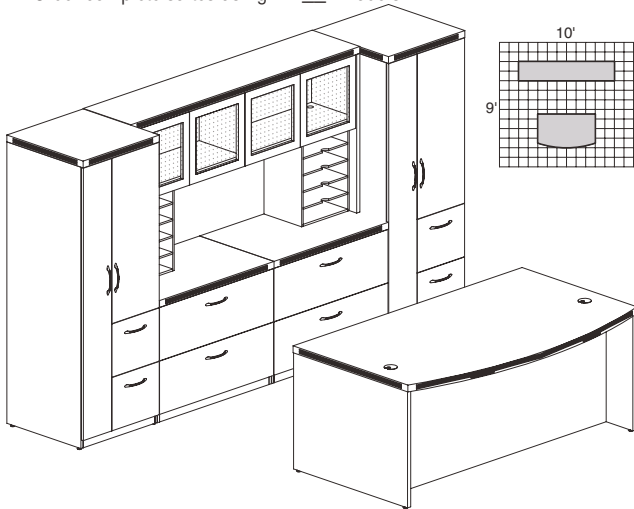
**AT8**

**TOTAL: \$4,972**

**ABERDEEN TYPICALS**

Mayline Customer Service: 1-800-822-8037

• Order complete suites using "AT\_\_" models.



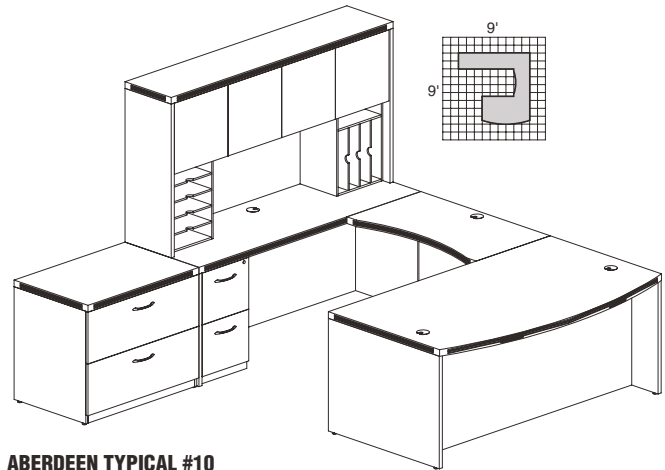
**ABERDEEN TYPICAL #9**

Consists of:

QTY.	MODEL NO.	DESCRIPTION	LIST PRICE
1	ABD7242	Bowfront Desk 72"W x 42"D	\$599
1	APBBF26	Desk Pencil/Box/Box/File Pedestal	\$449
1	AFF26	Desk File/File Pedestal	\$429
2	AFLF36	Freestanding Lateral File 36"W x 24"D	\$1,398
2	APST	Personal Storage Tower	\$1,598
1	AHG72	Hutch with Glass Doors 72"W	\$699
2	AHPM	Horizontal Paper Management	\$278

**AT9**

**TOTAL: \$5,450**



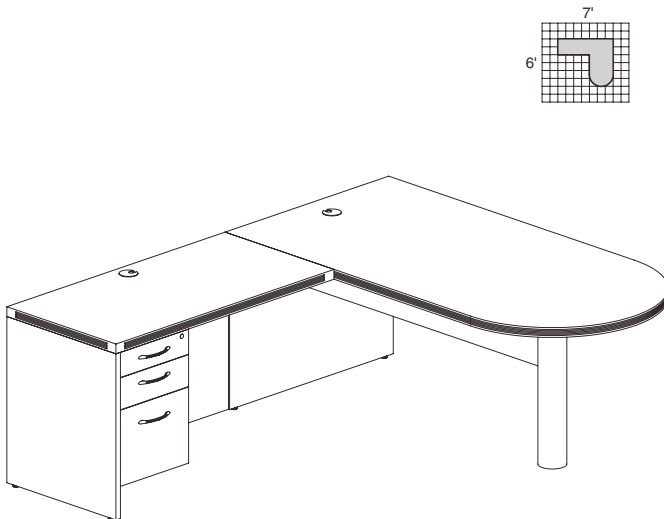
**ABERDEEN TYPICAL #10**

Consists of:

QTY.	MODEL NO.	DESCRIPTION	LIST PRICE
1	ABD7242	Bowfront Desk 72"W x 42"D	\$599
1	ACB4224	Contour Bridge 42"W x 24"D	\$239
1	ACD7224	Credenza 72"W x 24"D	\$419
1	APBBF26	Desk Pencil/Box/Box/File Pedestal	\$449
1	AFF20	Credenza File/File Pedestal	\$379
1	AFLF36	Freestanding Lateral File 36"W x 24"D	\$699
1	AHW72	Hutch with Wood Doors 72"W	\$499
1	AVPM	Vertical Paper Management	\$139
1	AHPM	Horizontal Paper Management	\$139

**AT10**

**TOTAL: \$3,561**



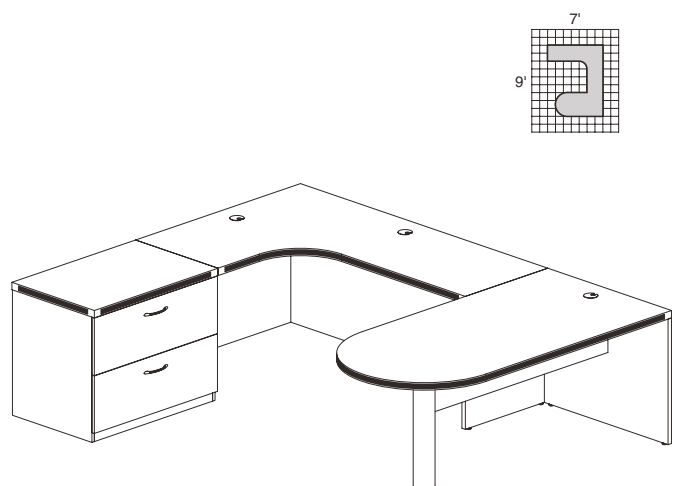
**ABERDEEN TYPICAL #11**

Consists of:

QTY.	MODEL NO.	DESCRIPTION	LIST PRICE
1	APT7236	Freestanding Peninsula 72"W x 36"D	\$579
1	AR4824	Return 48"W x 24"D	\$299
1	APBF20	Suspended Credenza Pencil/Box/File Pedestal	\$295

**AT11**

**TOTAL: \$1,173**



**ABERDEEN TYPICAL #12**

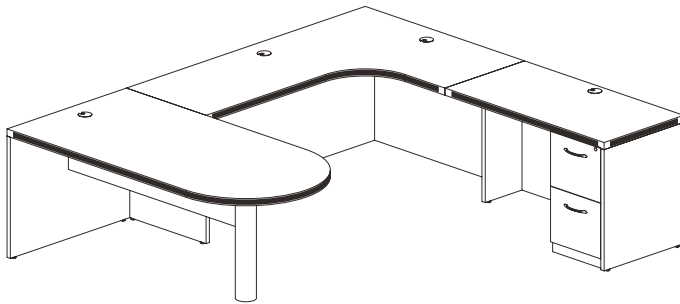
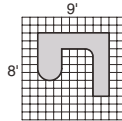
Consists of:

QTY.	MODEL NO.	DESCRIPTION	LIST PRICE
1	APT7236	Freestanding Peninsula 72"W x 36"D	\$579
1	AEC72L	Extended Corner, Left 72"W x 48"D	\$669
1	AFLF36	Freestanding Lateral File 36"W x 24"D	\$699

**AT12**

**TOTAL: \$1,947**

• Order complete suites using "AT\_\_" models.



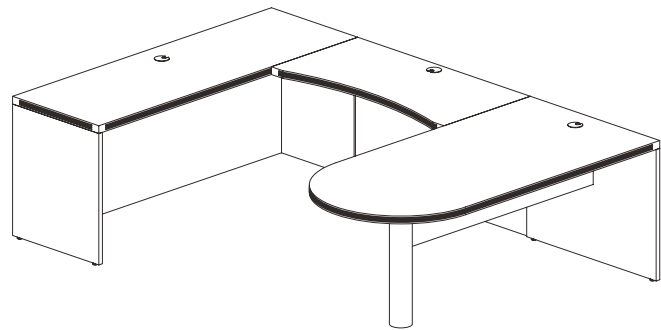
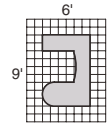
**ABERDEEN TYPICAL #13**

Consists of:

QTY.	MODEL NO.	DESCRIPTION	LIST PRICE
1	<b>APT7236</b>	Freestanding Peninsula 72"W x 36"D	\$579
1	<b>AEC72R</b>	Extended Corner, Right 72"W x 48"D	\$669
1	<b>AR4824</b>	Return 48"W x 24"D	\$299
1	<b>AFF20</b>	Credenza File/File Pedestal	\$379

**AT13**

**TOTAL: \$1,926**



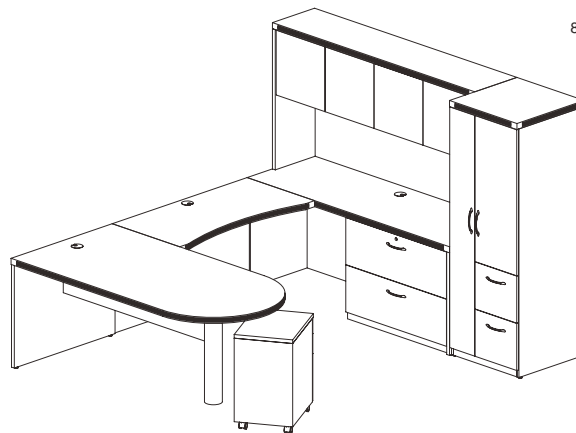
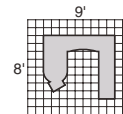
**ABERDEEN TYPICAL #14**

Consists of:

QTY.	MODEL NO.	DESCRIPTION	LIST PRICE
1	<b>APT7236</b>	Freestanding Peninsula 72"W x 36"D	\$579
1	<b>ACB4824</b>	Contour Bridge 48"W x 24"D	\$259
1	<b>ACD7224</b>	Credenza 72"W x 24"D	\$419

**AT14**

**TOTAL: \$1,257**



**ABERDEEN TYPICAL #15**

Consists of:

QTY.	MODEL NO.	DESCRIPTION	LIST PRICE
1	<b>APT7236</b>	Freestanding Peninsula 72"W x 36"D	\$579
1	<b>ACB4824</b>	Contour Bridge 48"W x 24"D	\$259
1	<b>ACD7224</b>	Credenza 72"W x 24"D	\$419
1	<b>AHW72</b>	Hutch with Wood Doors 72"W	\$499
1	<b>APST</b>	Personal Storage Tower	\$799
1	<b>APBF20</b>	Suspended Credenza Pencil/Box/File Pedestal	\$295
1	<b>AMK20</b>	Mobile Kit for Suspended Credenza Pedestals	\$ 99
1	<b>ACLF36</b>	Credenza Lateral File 36"W x 24"D	\$549

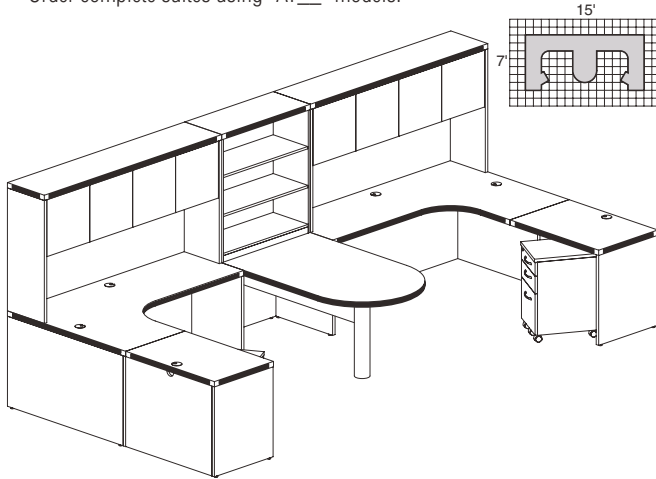
**AT15**

**TOTAL: \$3,498**

**ABERDEEN TYPICALS**

Mayline Customer Service: 1-800-822-8037

• Order complete suites using "AT\_\_" models.



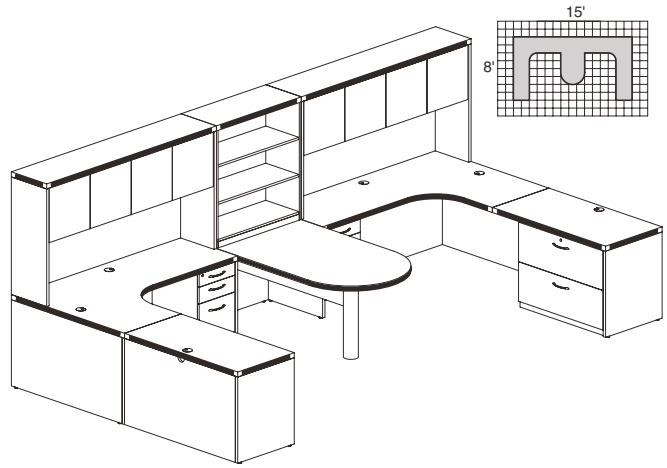
**ABERDEEN TYPICAL #17**

Consists of:

QTY.	MODEL NO.	DESCRIPTION	LIST PRICE
1	<b>APT7236</b>	Freestanding Peninsula 72"W x 36"D	\$579
1	<b>AEC72R</b>	Extended Corner, Right 72"W x 48"D	\$669
1	<b>AEC72L</b>	Extended Corner, Left 72"W x 48"D	\$669
2	<b>AR3624</b>	Return 36"W x 24"D	\$498
2	<b>APBF20</b>	Suspended Credenza Pencil/Box/File Pedestal	\$590
2	<b>AMK20</b>	Mobile Kit for Suspended Credenza Pedestal	\$198
2	<b>AHW72</b>	Hutch with Wood Doors 72"W	\$998
1	<b>AB3S36</b>	3-Shelf Bookcase	\$389

**AT17**

**TOTAL: \$4,590**



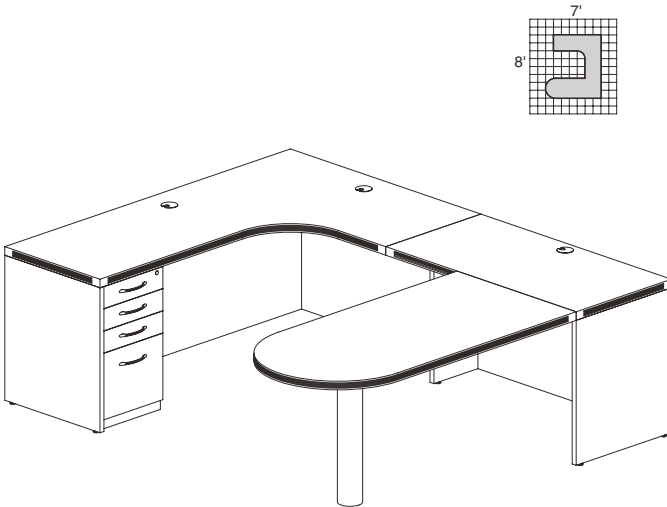
**ABERDEEN TYPICAL #18**

Consists of:

QTY.	MODEL NO.	DESCRIPTION	LIST PRICE
1	<b>APT7236</b>	Freestanding Peninsula 72"W x 36"D	\$579
1	<b>AEC72R</b>	Extended Corner, Right 72"W x 48"D	\$669
1	<b>AEC72L</b>	Extended Corner, Left 72"W x 48"D	\$669
2	<b>AR4824</b>	Return 48"W x 24"D	\$598
2	<b>APBF20</b>	Suspended Credenza Pencil/box/File Pedestal	\$590
2	<b>ACLF36</b>	Credenza Lateral File 36"W x 20"D	\$1,098
2	<b>AHW72</b>	Hutch with Wood Doors 72"W	\$998
1	<b>AB3S36</b>	3-Shelf Bookcase	\$389

**AT18**

**TOTAL: \$5,590**



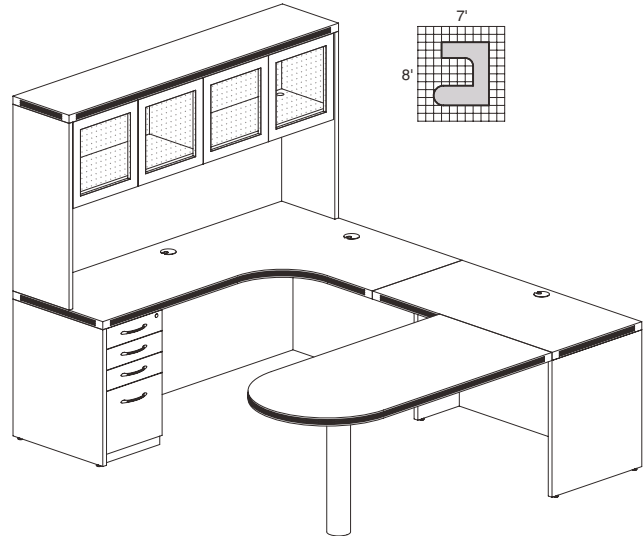
**ABERDEEN TYPICAL #19**

Consists of:

QTY.	MODEL NO.	DESCRIPTION	LIST PRICE
1	<b>AEC72R</b>	Extended Corner, Right 72"W x 48"D	\$669
1	<b>AR4824</b>	Return 48"W x 24"D	\$299
1	<b>APR6030</b>	Peninsula Return 60"W x 30"D	\$395
1	<b>APBBF20</b>	Credenza Pencil/Box/Box/File Pedestal	\$399

**AT19**

**TOTAL: \$1,762**



**ABERDEEN TYPICAL #20**

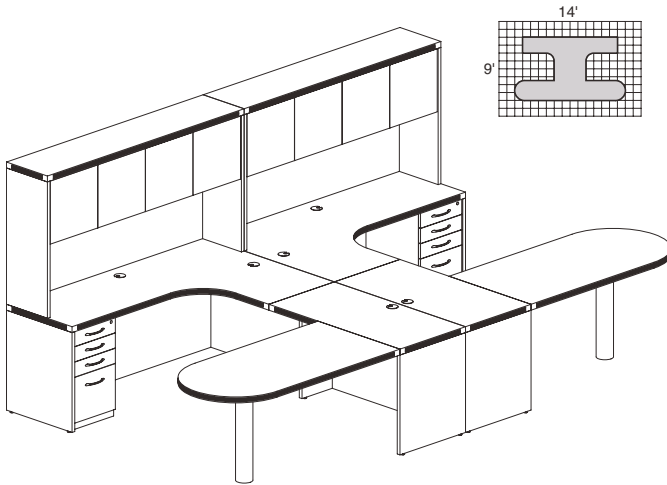
Consists of:

QTY.	MODEL NO.	DESCRIPTION	LIST PRICE
1	<b>AEC72R</b>	Extended Corner, Right 72"W x 48"D	\$669
1	<b>AR4824</b>	Return 48"W x 24"D	\$299
1	<b>APR6030</b>	Peninsula Return 60"W x 30"D	\$395
1	<b>APBBF20</b>	Credenza Pencil/Box/Box/File Pedestal	\$399
1	<b>AHG72</b>	Hutch with Glass Doors 72"W	\$699

**AT20**

**TOTAL: \$2,461**

• Order complete suites using "AT\_" models.



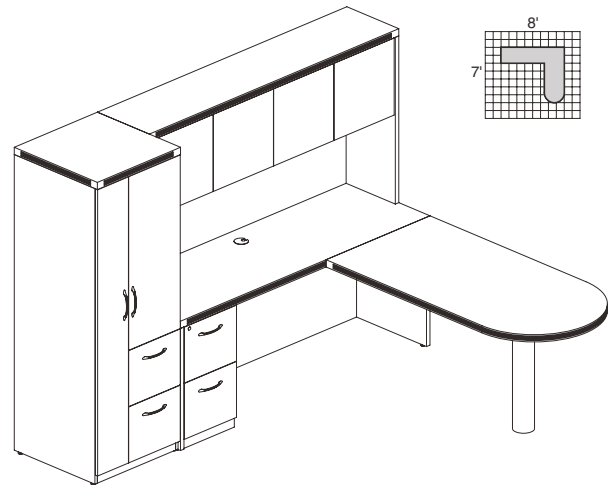
**ABERDEEN TYPICAL #21**

Consists of:

QTY.	MODEL NO.	DESCRIPTION	LIST PRICE
1	<b>AEC72R</b>	Extended Corner, Right 72"W x 48"D	\$669
1	<b>AEC72L</b>	Extended Corner, Left 72"W x 48"D	\$669
2	<b>AR4824</b>	Return 48"W x 24"D	\$598
2	<b>APR6030</b>	Peninsula Return 60"W x 30"D	\$790
2	<b>APBBF20</b>	Credenza Pencil/Box/Box/File Pedestal	\$798
2	<b>AHW72</b>	Hutch with Wood Doors 72"W	\$998

**AT21**

**TOTAL: \$4,522**



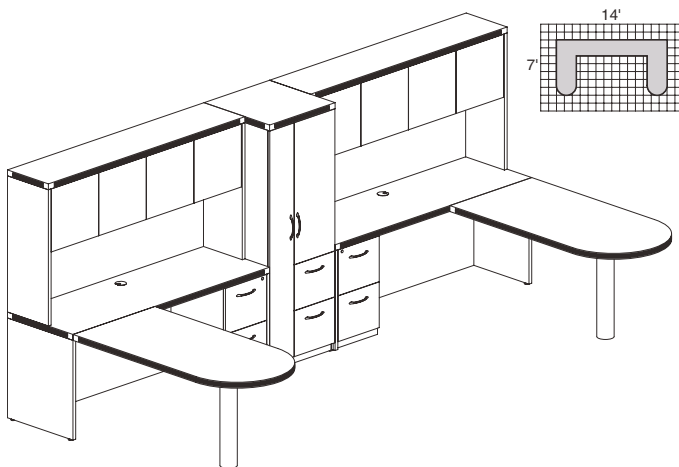
**ABERDEEN TYPICAL #22**

Consists of:

QTY.	MODEL NO.	DESCRIPTION	LIST PRICE
1	<b>APR6030</b>	Peninsula Return 60"W x 30"D	\$395
1	<b>ACD7224</b>	Credenza 72"W x 24"D	\$419
1	<b>AFF20</b>	Credenza File/File Pedestal	\$379
1	<b>APST</b>	Personal Storage Tower	\$799
1	<b>AHW72</b>	Hutch with Wood Doors 72"W	\$499

**AT22**

**TOTAL: \$2,491**



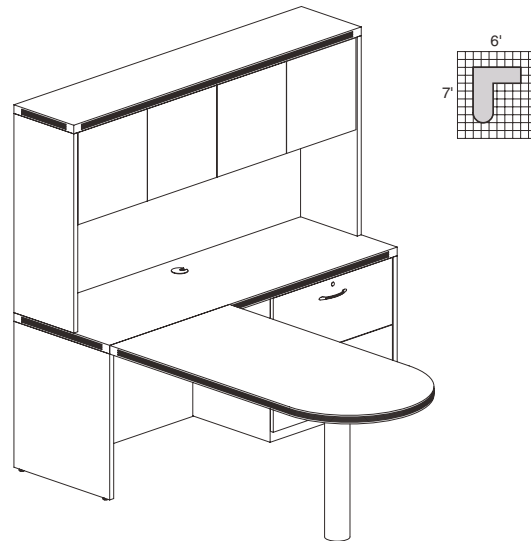
**ABERDEEN TYPICAL #23**

Consists of:

QTY.	MODEL NO.	DESCRIPTION	LIST PRICE
2	<b>APR6030</b>	Peninsula Return 60"W x 30"D	\$790
2	<b>ACD7224</b>	Credenza 72"W x 24"D	\$838
2	<b>AFF20</b>	Credenza File/File Pedestal	\$758
1	<b>APST</b>	Personal Storage Tower	\$799
2	<b>AHW72</b>	Hutch with Wood Doors	\$998

**AT23**

**TOTAL: \$4,183**



**ABERDEEN TYPICAL #24**

Consists of:

QTY.	MODEL NO.	DESCRIPTION	LIST PRICE
1	<b>APR6030</b>	Peninsula Return 60"W x 30"D	\$395
1	<b>ACD7224</b>	Credenza 72"W x 24"D	\$419
1	<b>ACLF30</b>	Credenza Lateral File 30"W x 20"D	\$489
1	<b>AHW72</b>	Hutch with Wood Doors 72"W	\$499

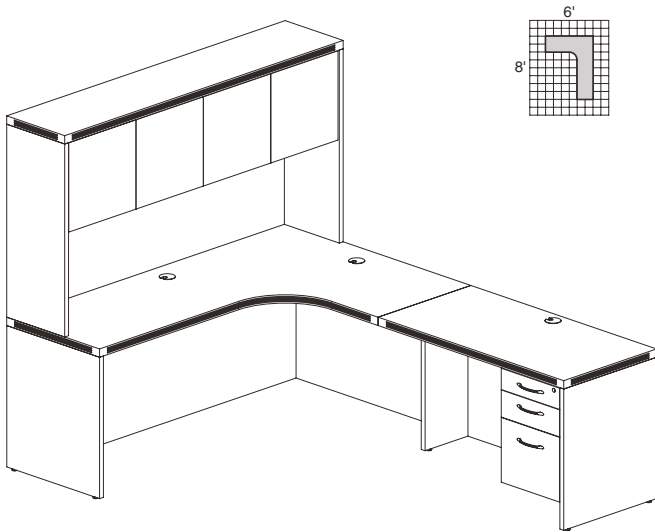
**AT24**

**TOTAL: \$1,802**

**ABERDEEN TYPICALS**

Mayline Customer Service: 1-800-822-8037

• Order complete suites using "AT\_\_" models.



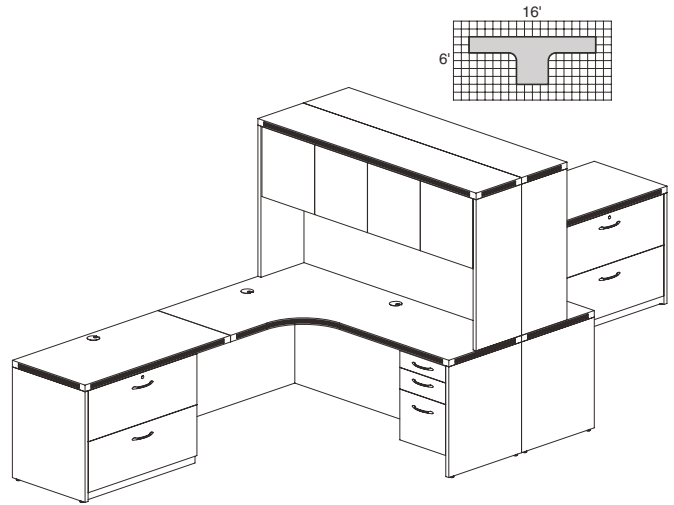
**ABERDEEN TYPICAL #25**

Consists of:

QTY.	MODEL NO.	DESCRIPTION	LIST PRICE
1	AEC72R	Extended Corner, Right 72"W x 48"D	\$669
1	AR4824	Return 48"W x 24"D	\$299
1	APBF20	Suspended Credenza Pencil/Box/File Pedestal	\$295
1	AHW72	Hutch with Wood Doors 72"W	\$499

**AT25**

**TOTAL: \$1,762**



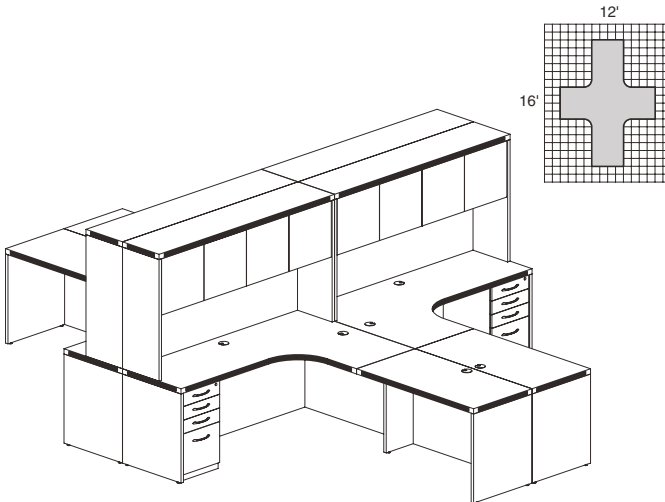
**ABERDEEN TYPICAL #26**

Consists of:

QTY.	MODEL NO.	DESCRIPTION	LIST PRICE
1	AEC72R	Extended Corner, Right 72"W x 48"D	\$669
1	AEC72L	Extended Corner, Left 72"W x 48"D	\$669
2	AR4824	Return 48"W x 24"D	\$598
2	APBF20	Suspended Credenza Pencil/Box/File Pedestal	\$590
2	ACLF36	Credenza Lateral File 36"W x 20"D	\$1,098
2	AHW72	Hutch with Wood Doors 72"W	\$998

**AT26**

**TOTAL: \$4,622**



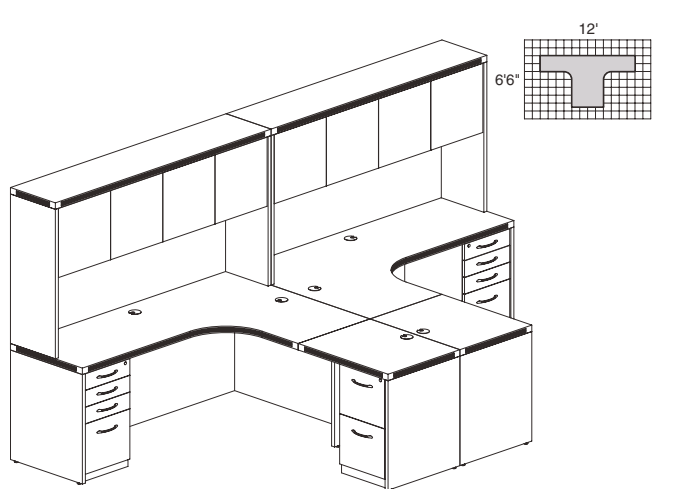
**ABERDEEN TYPICAL #27**

Consists of:

QTY.	MODEL NO.	DESCRIPTION	LIST PRICE
2	AEC72R	Extended Corner, Right 72"W x 48"D	\$1,338
2	AEC72L	Extended Corner, Left 72"W x 48"D	\$1,338
4	AR4824	Return 48"W x 24"D	\$1,196
4	APBBF20	Credenza Pencil/Box/box/File Pedestal	\$1,596
4	AHW72	Hutch with Wood Doors 72"W	\$1,996

**AT27**

**TOTAL: \$7,464**



**ABERDEEN TYPICAL #28**

Consists of:

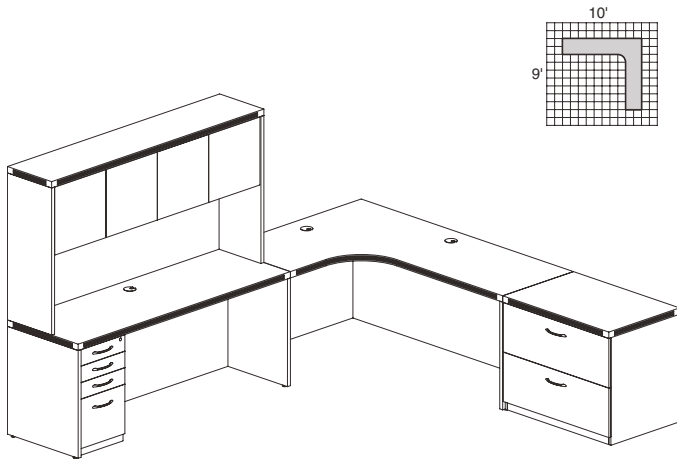
QTY.	MODEL NO.	DESCRIPTION	LIST PRICE
1	AEC72R	Extended Corner, Right 72"W x 48"D	\$669
1	AEC72L	Extended Corner, Left 72"W x 48"D	\$669
2	AR3024	Return 30"W x 24"D	\$458
2	AFF20	Credenza File/File Pedestal	\$758
2	APBBF20	Credenza Pencil/Box/Box/File Pedestal	\$798
2	AHW72	Hutch with Wood Doors 72"W	\$998

**AT28**

**TOTAL: \$4,350**



• Order complete suites using "AT\_\_" models.



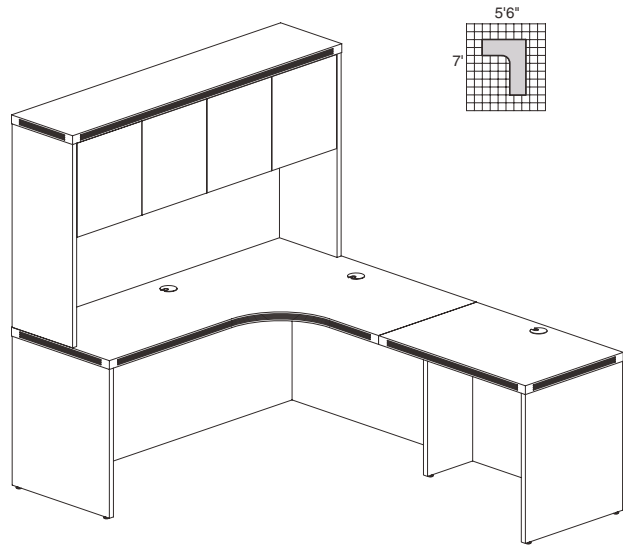
**ABERDEEN TYPICAL #29**

Consists of:

QTY.	MODEL NO.	DESCRIPTION	LIST PRICE
1	AEC72L	Extended Corner, Left 72"W x 48"D	\$669
1	ACD7224	Credenza 72"W x 24"D	\$419
1	AFLF36	Freestanding Lateral File 36"W x 24"D	\$699
1	AHW72	Hutch with Wood Doors 72"W	\$499
1	APBBF20	Credenza Pencil/Box/Box/File Pedestal	\$399

**AT29**

**TOTAL: \$2,685**



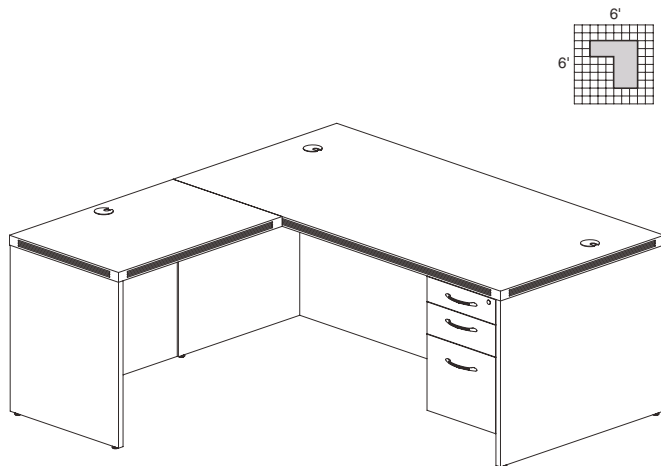
**ABERDEEN TYPICAL #30**

Consists of:

QTY.	MODEL NO.	DESCRIPTION	LIST PRICE
1	AEC66R	Extended Corner, Right 66"W x 48"D	\$629
1	AR3624	Return 36"W x 24"D	\$249
1	AHW66	Hutch with Wood Doors 66"W	\$469

**AT30**

**TOTAL: \$1,347**



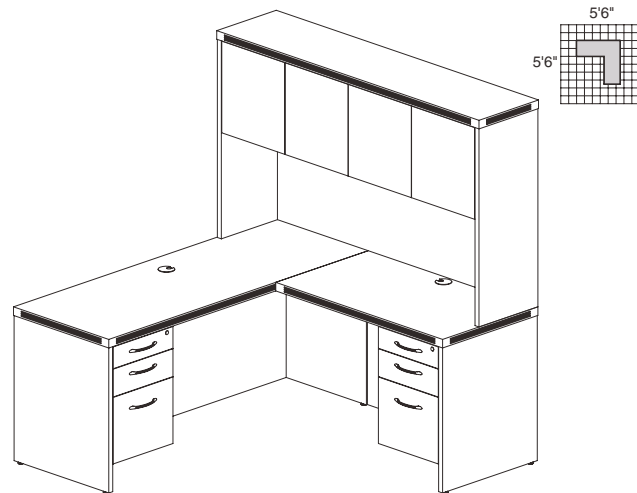
**ABERDEEN TYPICAL #31**

Consists of:

QTY.	MODEL NO.	DESCRIPTION	LIST PRICE
1	ARD7236	Rectangular Conference Desk 72"W x 36"D	\$519
1	AR3624	Return 36"W x 24"D	\$249
1	APBF26	Suspended Desk Pencil/Box/File Pedestal	\$329

**AT31**

**TOTAL: \$1,097**



**ABERDEEN TYPICAL #32**

Consists of:

QTY.	MODEL NO.	DESCRIPTION	LIST PRICE
1	ACD6624	Credenza 66"W x 24"D	\$399
1	AR4224	Return 42"W x 24"D	\$269
2	APBF20	Suspended Credenza Pencil/Box/File Pedestal	\$590
1	AHW66	Hutch with Wood Doors 66"W	\$469

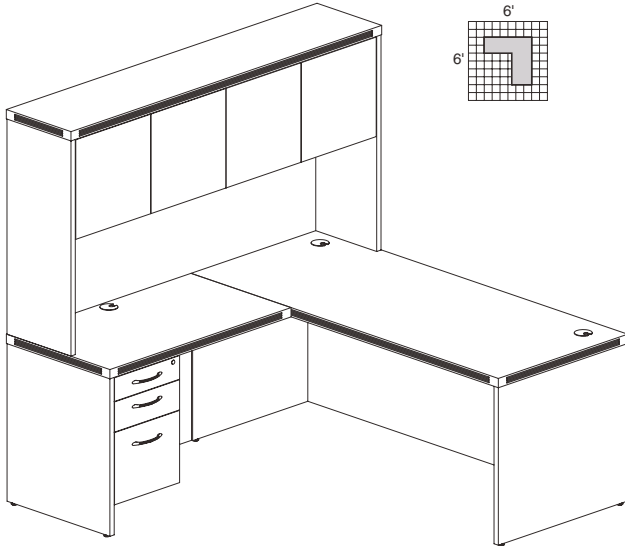
**AT32**

**TOTAL: \$1,727**

**ABERDEEN TYPICALS**

Mayline Customer Service: 1-800-822-8037

• Order complete suites using "AT\_\_" models.



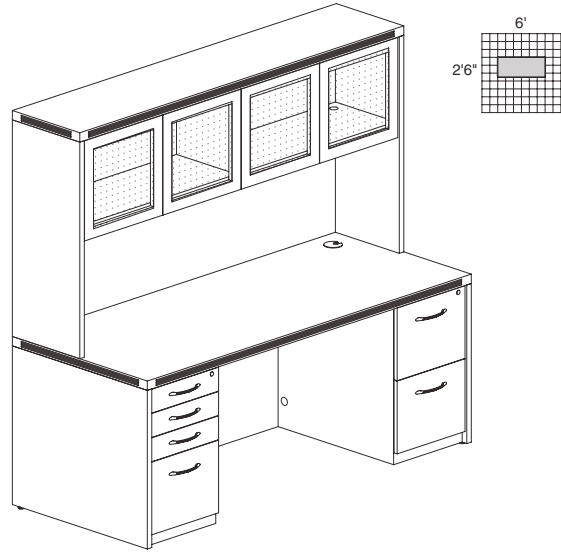
**ABERDEEN TYPICAL #33**

Consists of:

QTY.	MODEL NO.	DESCRIPTION	LIST PRICE
1	ARD7230	Rectangular Desk 72"W x 30"D	\$479
1	AR4224	Return 42"W x 24"D	\$269
1	APBF20	Suspended Credenza Pencil/Box/File Pedestal	\$295
1	AHW72	Hutch with Wood Doors 72"W	\$499

**AT33**

**TOTAL: \$1,542**



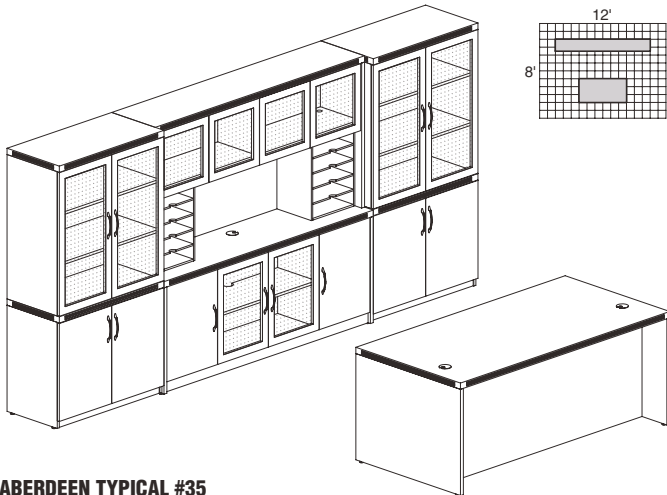
**ABERDEEN TYPICAL #34**

Consists of:

QTY.	MODEL NO.	DESCRIPTION	LIST PRICE
1	ARD7230	Rectangular Desk 72"W x 30"D	\$479
1	APBBF26	Desk Pencil/Box/Box/File Pedestal	\$449
1	AFF26	Desk File/File Pedestal	\$429
1	AHG72	Hutch with Glass Doors 72"W	\$699

**AT34**

**TOTAL: \$2,056**



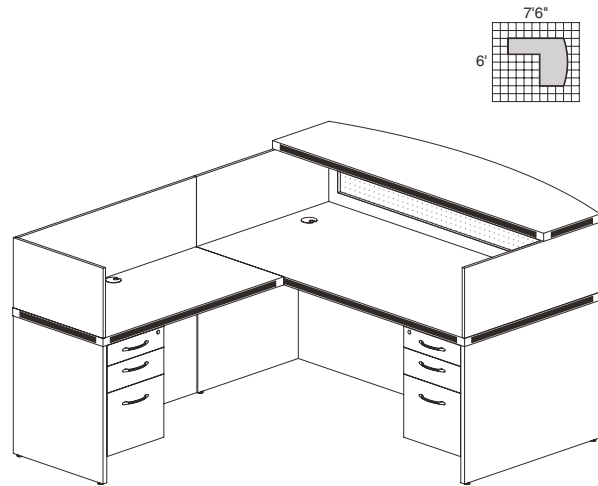
**ABERDEEN TYPICAL #35**

Consists of:

QTY.	MODEL NO.	DESCRIPTION	LIST PRICE
1	ARD7236	Rectangular conference Desk 72"W x 36"D	\$519
1	APBBF26	Desk Pencil/Box/Box/File Pedestal	\$449
1	AFF26	Desk File/File Pedestal	\$429
1	ALC	Low Wall Cabinet	\$899
2	ASC	Storage Cabinet	\$998
2	AGDC	Glass Display Cabinet	\$1,298
1	AHG72	Hutch with Glass Doors 72"W	\$699
2	AHPM	Horizontal Paper Management	\$278

**AT35**

**TOTAL: \$5,569**



**ABERDEEN TYPICAL #36**

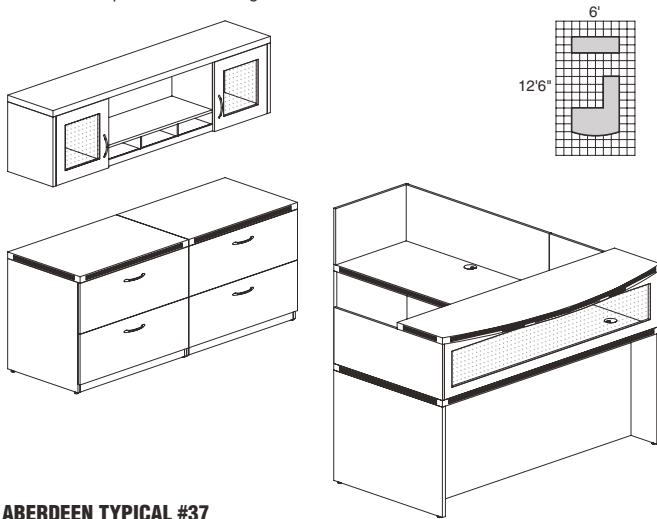
Consists of:

QTY.	MODEL NO.	DESCRIPTION	LIST PRICE
1	ARD7236	Rectangular Conference Desk 72"W x 36"D	\$519
1	AR4824	Return 48"W x 24"D	\$299
1	APBF20	Suspended Credenza Pencil/Box/File Pedestal	\$295
1	APBF26	Suspended Desk Pencil/Box/File Pedestal	\$329
1	ARDTC	Reception Desk Transaction Counter	\$469
1	ARRS	Reception Return Screen	\$159

**AT36**

**TOTAL: \$2,070**

• Order complete suites using "AT\_\_" models.



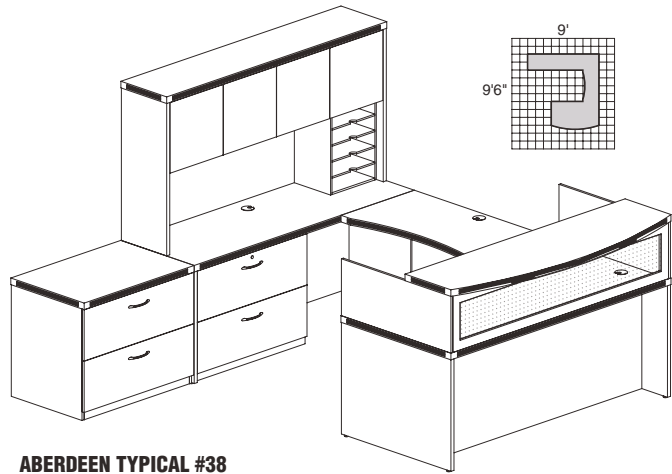
**ABERDEEN TYPICAL #37**

Consists of:

QTY.	MODEL NO.	DESCRIPTION	LIST PRICE
1	<b>ARD7236</b>	Rectangular Conference Desk 72"W x 36"D	\$519
1	<b>AR4824</b>	Return 48"W x 24"D	\$299
1	<b>ARDTC</b>	Reception Desk Transaction Counter	\$469
1	<b>ARRS</b>	Reception Return Screen	\$159
2	<b>AFLF36</b>	Freestanding Lateral File 36"W x 24"D	\$1,398
1	<b>AWG72</b>	Wall Mount Hutch 72"W	\$799

**AT37**

**TOTAL: \$3,643**



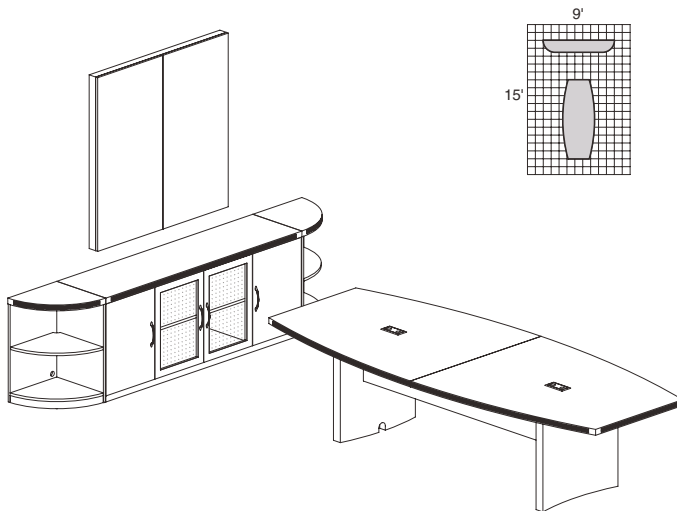
**ABERDEEN TYPICAL #38**

Consists of:

QTY.	MODEL NO.	DESCRIPTION	LIST PRICE
1	<b>ARD7236</b>	Rectangular Conference Desk 72"W x 36"D	\$519
1	<b>ACD7224</b>	Credenza 72"W x 36"D	\$419
1	<b>ACB4824</b>	Contour Bridge 48"W x 24"D	\$259
1	<b>APBF26</b>	Suspended Desk Pencil/Box/File Pedestal	\$329
1	<b>ACLF36</b>	Credenza Lateral File 36"W x 20"D	\$549
1	<b>AFLF36</b>	Freestanding Lateral File 36"W x 24"D	\$699
1	<b>AHW72</b>	Hutch with Wood Doors 72"W	\$499
1	<b>ARDTC</b>	Reception Desk Transaction Counter	\$469
1	<b>AHPM</b>	Horizontal Paper Management	\$139

**AT38**

**TOTAL: \$3,881**



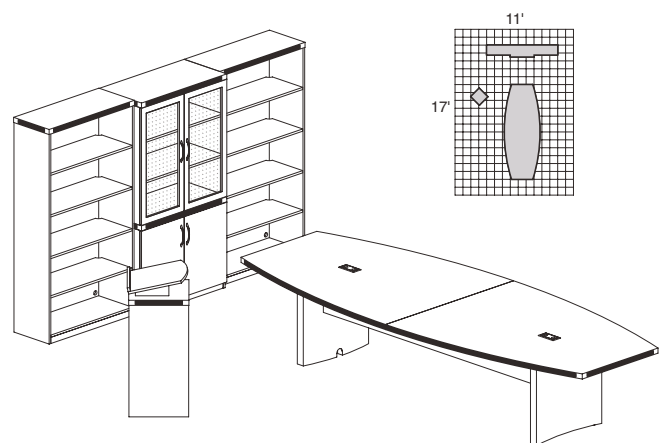
**ABERDEEN TYPICAL #39**

Consists of:

QTY.	MODEL NO.	DESCRIPTION	LIST PRICE
1	<b>ACTB10</b>	Boat Conference Table 120"W x 48"D	\$1,169
1	<b>ALC</b>	Low Wall Cabinet	\$899
2	<b>ABQ2</b>	2-Shelf 1/4 Round	\$398
1	<b>AVPB</b>	Visual Presentation Board	\$619

**AT39**

**TOTAL: \$3,085**



**ABERDEEN TYPICAL #40**

Consists of:

QTY.	MODEL NO.	DESCRIPTION	LIST PRICE
1	<b>ACTB12</b>	Boat Conference Table 144"W x 48"D	\$1,399
1	<b>ASC</b>	Storage Cabinet	\$499
1	<b>AGDC</b>	Glass Display Cabinet	\$649
2	<b>AB5S36</b>	5-Shelf Bookcase	\$938
1	<b>ALCT</b>	Lectern	\$359

**AT40**

**TOTAL: \$3,844**

# TOSCANA SERIES

Mayline Customer Service: 1-800-822-8037

## TOSCANA DESK SERIES

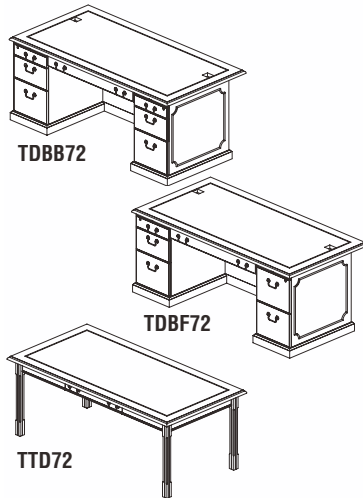
The Toscana veneer desk system combines traditional styling with several technology-friendly features. Toscana is available in a choice of two rich finishes with AA-grade North American hardwood veneers used throughout.

**Surfaces:** Sierra Cherry finish on cherry veneer and Mahogany finish on walnut veneer.



- 1 1/8" thick, horizontal desking surfaces feature hardwood inlay and cross-directional veneers.
- All cabinet/drawer interiors and backs are fully finished.
- Desk Pencil-Box-File pedestals feature dual-purpose top drawer for storing supplies or storing laptop computers.
- All pedestals feature pull-out writing surfaces.
- All locks are keyed alike and feature removable cores for installing "keyed-different" locks after market. Replacement lock cores, removing keys, and master keys are \$9 list each. Please call Customer Service to place your order.
- Center drawers are standard on all desks and credenzas featuring a fold down front with removable pencil tray for use as a pull-out keyboard drawer.
- Bridges, returns, and credenzas feature one, centered surface grommet. Desks feature two grommets and allow cables to pass through pedestals with exit grommet near floor in user knee space.
- All floor supported models include steel threaded leveling glides.

## FREESTANDING DESKS

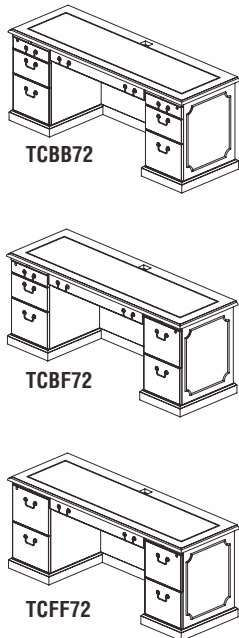


- Choice of two Pencil/Box/File pedestals or combination Pencil/Box/File and File/File pedestals. All File/File pedestals for Freestanding Desks are left handed.
- 72" x 36" desks feature 6" conference overhang on approach side of desk.

Model No.	Description	Dimensions	Wt.	List Price
TDBB72	Double Pedestal Desk, PBF/PBF	72" x 36" x 29 1/2"	394#	\$2466
TDBB66	Double Pedestal Desk, PBF/PBF	66" x 30" x 29 1/2"	381#	\$2394
TDBF72	Double Pedestal Desk, PBF/FF	72" x 36" x 29 1/2"	392#	\$2437
TDBF66	Double Pedestal Desk, PBF/FF	66" x 30" x 29 1/2"	379#	\$2365

Model No.	Description	Dimensions	Wt.	List Price
TTD66	Table Desk	66" x 30" x 29 1/2"	143#	\$926
TTD72	Table Desk	72" x 36" x 29 1/2"	154#	\$1029

## FREESTANDING CREDENZAS

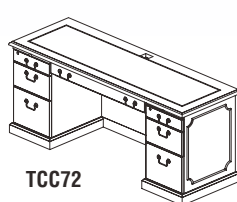


- Freestanding Computer Credenzas feature a left-handed Pencil/Box/File pedestal and a right-handed CPU pedestal.
- CPU pedestals feature a ventilated CPU tower compartment (8 2/3"W x 19 1/2"H x 20 2/3"D), three adjustable storage compartments, and a standard power module with outlets for CPU, Printer, and Monitor.
- Executive Storage Credenza features two Pencil/Box/File pedestals and center cabinet with adjustable interior shelf creating two levels of storage. Interior shelf adjusts to 3 positions on 2 1/2"H increments.
- All credenzas feature grommet in rear/center of surface.

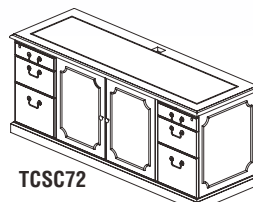
Model No.	Description	Dimensions	Wt.	List Price
TCBB72	Double Pedestal Credenza, PBF/PBF	72" x 24" x 29 1/2"	346#	\$2157
TCBB66	Double Pedestal Credenza, PBF/PBF	66" x 24" x 29 1/2"	335#	\$2101
TCBF72	Double Pedestal Credenza, PBF/FF	72" x 24" x 29 1/2"	344#	\$2089
TCBF66	Double Pedestal Credenza, PBF/FF	66" x 24" x 29 1/2"	333#	\$2033
TCFF72	Double Pedestal Credenza, FF/FF	72" x 24" x 29 1/2"	341#	\$2021
TCFF66	Double Pedestal Credenza, FF/FF	66" x 24" x 29 1/2"	330#	\$1965

TCC72	Computer Credenza	72" x 24" x 29 1/2"	335#	\$2295
TCC66	Computer Credenza	66" x 24" x 29 1/2"	324#	\$2239

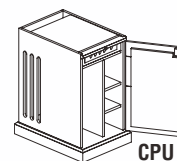
TCSC72	Executive Storage Credenza	72" x 24" x 29 1/2"	405#	\$2336
--------	----------------------------	---------------------	------	--------



TCC72

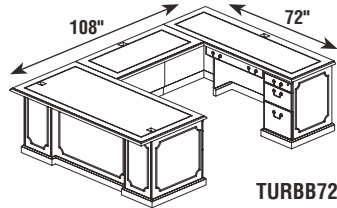


TCSC72



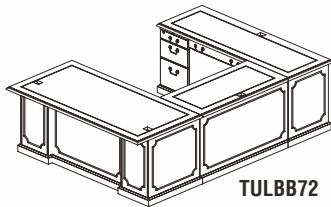
CPU Pedestal (detail)

**U-SHAPED CONFIGURATIONS**

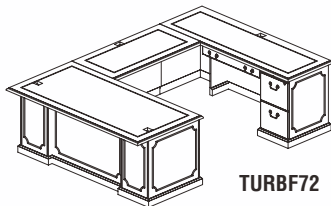


TURBB72

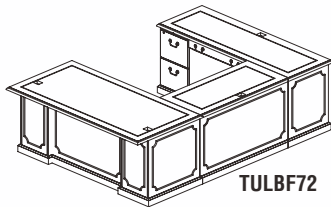
- Offered in choice of left-handed and right-handed configurations.
- Executive CPU U-Shape configurations feature a Pencil/Box/File desk pedestal and a CPU pedestal in the credenza.
- CPU pedestals feature a ventilated CPU tower compartment (8 2/3"W x 19 1/2"H x 20 2/3"D), three adjustable storage compartments, and a standard power module with outlets for CPU, Printer, and Monitor.



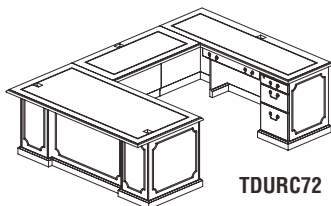
TULBB72



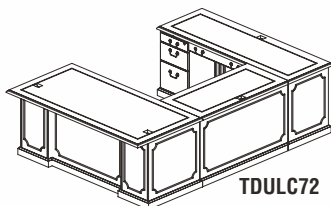
TURBB66



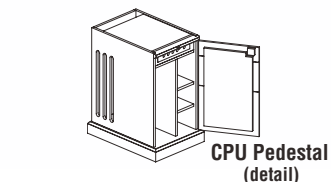
TULBB66



TURBF72



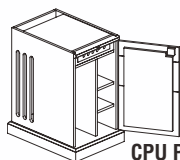
TULBF72



TURBF66



TULBF66

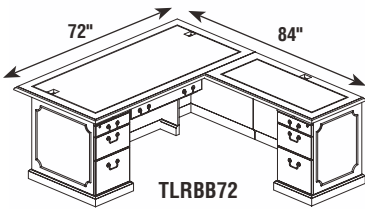


CPU Pedestal (detail)

Model No.	Description	Dimensions	Wt.	List Price
TURBB72	Executive "U", Right Bridge	72" x 36" x 29 1/2" Desk	636#	\$4141
	PBF-Desk, PBF-Credenza	48" x 24" x 29 1/2" Bridge		
		72" x 24" x 29 1/2" Credenza		
TULBB72	Executive "U", Left Bridge	72" x 36" x 29 1/2" Desk	636#	\$4141
	PBF-Desk, PBF-Credenza	48" x 24" x 29 1/2" Bridge		
		72" x 24" x 29 1/2" Credenza		
TURBB66	Executive "U", Right Bridge	66" x 30" x 29 1/2" Desk	620#	\$3999
	PBF-Desk, PBF-Credenza	48" x 24" x 29 1/2" Bridge		
		66" x 24" x 29 1/2" Credenza		
TULBB66	Executive "U", Left Bridge	66" x 30" x 29 1/2" Desk	620#	\$3999
	PBF-Desk, PBF-Credenza	48" x 24" x 29 1/2" Bridge		
		66" x 24" x 29 1/2" Credenza		
TURBF72	Executive "U", Right Bridge	72" x 36" x 29 1/2" Desk	667#	\$4073
	PBF-Desk, FF-Credenza	48" x 24" x 29 1/2" Bridge		
		72" x 24" x 29 1/2" Credenza		
TULBF72	Executive "U", Left Bridge	72" x 36" x 29 1/2" Desk	667#	\$4073
	PBF-Desk, FF-Credenza	48" x 24" x 29 1/2" Bridge		
		72" x 24" x 29 1/2" Credenza		
TURBF66	Executive "U", Right Bridge	66" x 36" x 29 1/2" Desk	618#	\$3931
	PBF-Desk, FF-Credenza	48" x 24" x 29 1/2" Bridge		
		66" x 24" x 29 1/2" Credenza		
TULBF66	Executive "U", Left Bridge	66" x 36" x 29 1/2" Desk	618#	\$3931
	PBF-Desk, FF-Credenza	48" x 24" x 29 1/2" Bridge		
		66" x 24" x 29 1/2" Credenza		
TDURC72	Executive CPU "U", Right Bridge	72" x 36" x 29 1/2" Desk	625#	\$4279
		48" x 24" x 29 1/2" Bridge		
		72" x 24" x 29 1/2" Credenza		
TDULC72	Executive CPU "U", Left Bridge	72" x 36" x 29 1/2" Desk	625#	\$4279
		48" x 24" x 29 1/2" Bridge		
		72" x 24" x 29 1/2" Credenza		
TDURC66	Executive CPU "U", Right Bridge	66" x 30" x 29 1/2" Desk	609#	\$4137
		48" x 24" x 29 1/2" Bridge		
		66" x 24" x 29 1/2" Credenza		
TDULC66	Executive CPU "U", Left Bridge	66" x 30" x 29 1/2" Desk	609#	\$4137
		48" x 24" x 29 1/2" Bridge		
		66" x 24" x 29 1/2" Credenza		

**L-SHAPED CONFIGURATIONS**

- Offered in choice of left-handed and right-handed configurations.
- Executive CPU L-Shape configurations feature a Pencil/Box/File desk pedestal and a CPU pedestal in the return.
- CPU pedestals feature a ventilated CPU tower compartment (8 2/3"W x 19 1/2"H x 20 2/3"D), three adjustable storage compartments, and a standard power module with outlets for CPU, Printer, and Monitor.



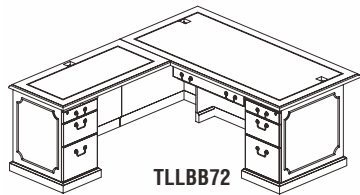
**TLBB72**

Model No.	Description	Dimensions	Wt.	List Price
<b>TLBB72</b>	Executive "L", Right Return	72" x 36" x 29 1/2" Desk	488#	\$3149
	PBF-Desk, PBF-Return	48" x 24" x 29 1/2" Return		

<b>TLLBB72</b>	Executive "L", Left Return	72" x 36" x 29 1/2" Desk	488#	\$3149
	PBF-Desk, PBF-Return	48" x 24" x 29 1/2" Return		

<b>TLRB66</b>	Executive "L", Right Return	66" x 30" x 29 1/2" Desk	479#	\$3070
	PBF-Desk, PBF-Return	48" x 24" x 29 1/2" Return		

<b>TLLB66</b>	Executive "L", Left Return	66" x 30" x 29 1/2" Desk	479#	\$3070
	PBF-Desk, PBF-Return	48" x 24" x 29 1/2" Return		



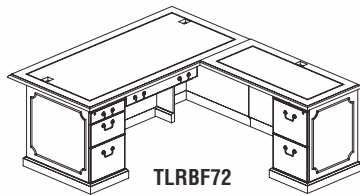
**TLLB72**

<b>TLRBF72</b>	Executive "L", Right Return	72" x 36" x 29 1/2" Desk	486#	\$3081
	PBF-Desk, FF-Return	48" x 24" x 29 1/2" Return		

<b>TLLBF72</b>	Executive "L", Left Return	72" x 36" x 29 1/2" Desk	486#	\$3081
	PBF-Desk, FF-Return	48" x 24" x 29 1/2" Return		

<b>TLRBF66</b>	Executive "L", Right Return	66" x 30" x 29 1/2" Desk	477#	\$3002
	PBF-Desk, FF-Return	48" x 24" x 29 1/2" Return		

<b>TLLBF66</b>	Executive "L", Left Return	66" x 30" x 29 1/2" Desk	477#	\$3002
	PBF-Desk, FF-Return	48" x 24" x 29 1/2" Return		



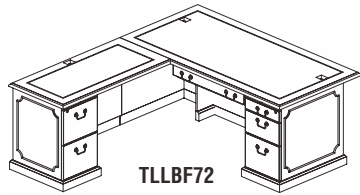
**TLRBF72**

<b>TDLRC72</b>	Executive CPU "L", Right Return	72" x 36" x 29 1/2" Desk	477#	\$3287
		48" x 24" x 29 1/2" Return		

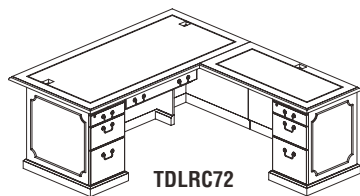
<b>TDLLC72</b>	Executive CPU "L", Left Return	72" x 36" x 29 1/2" Desk	477#	\$3287
		48" x 24" x 29 1/2" Return		

<b>TDLRC66</b>	Executive CPU "L", Right Return	66" x 30" x 29 1/2" Desk	468#	\$3208
		48" x 24" x 29 1/2" Return		

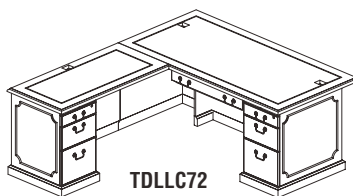
<b>TDLLC66</b>	Executive CPU "L", Left Return	66" x 30" x 29 1/2" Desk	468#	\$3208
		48" x 24" x 29 1/2" Return		



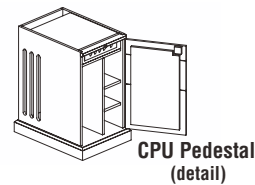
**TLLBF72**



**TDLRC72**



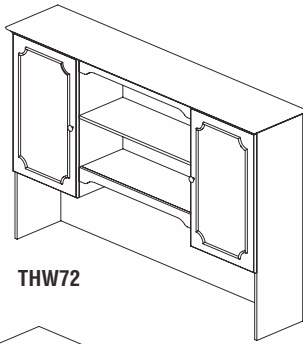
**TDLLC72**



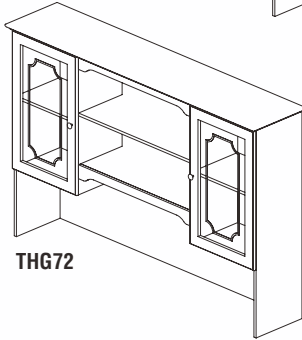
**CPU Pedestal (detail)**



HUTCHES



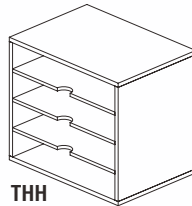
THW72



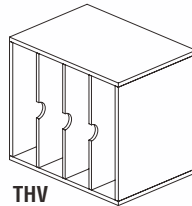
THG72

- Offered with a choice of wood or beveled glass doors. Doors measure 17 1/2"W x 31"H.
- Clearance under the center shelves to work surface measures 20 1/4"H.
- Middle shelves behind doors and in center compartment adjust to 3 positions on 2 1/2"H increments.
- Optional tasklights sold in pairs. One light installs below lower shelf and one installs below upper shelf.
- Optional Hutch Organizers are sized to fit in space between doors and work surface.

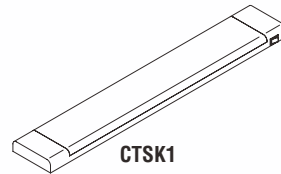
Model No.	Description	Dimensions	Wt.	List Price
THW72	Hutch with Half Height Wood Doors	72" x 15" x 48"	176#	\$1341
THW66	Hutch with Half Height Wood Doors	66" x 15" x 48"	165#	\$1238
THG72	Hutch with Half Height Glass Doors	72" x 15" x 48"	231#	\$1441
THG66	Hutch with Half Height Glass Doors	66" x 15" x 48"	209#	\$1338
THH	Hutch Organizer, Horizontal (assembled)	17" x 15" x 12"	28#	\$308
THV	Hutch Organizer, Vertical (assembled)	17" x 15" x 12"	26#	\$308
CTSK1	Task Light	21 1/2"W x 3 1/4"D x 1 1/4"H	5#	\$99



THH

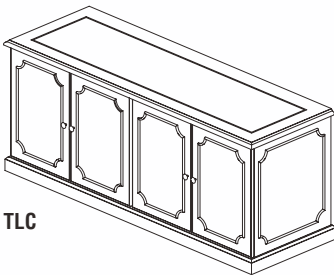


THV

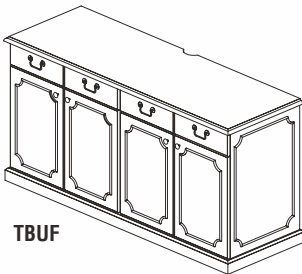


CTSK1

STORAGE OPTIONS



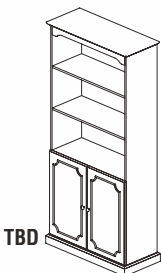
TLC



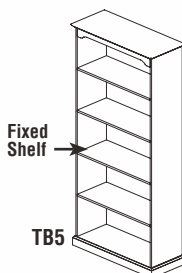
TBUF

- Low Wall Cabinet has one internal shelf in each compartment that adjusts to 5 positions on 1 1/4"H increments. Does not lock.
- Executive Buffet Cabinet has one internal shelf in each compartment that adjusts to 3 positions on 2 1/2"H increments. Does not lock.
- Bookcase with Lower Doors has two adjustable open shelves and one adjustable concealed shelf. Bookcase with 5 Shelves has three adjustable shelves. Lateral File Hutch has two adjustable shelves. All adjustable shelves adjust on 1 1/4"H increments throughout complete vertical space.
- Lateral files feature interlock system allowing only one drawer to open at a time. Standard gang lock provided.
- Executive Buffet Cabinet features cable management including finished cut-outs in top and back panel. Back panel is recessed allowing clearance for wall plugs. The cabinet is designed to support freestanding flat screen TVs and A/V equipment for conference room settings.

Model No.	Description	Dimensions	Wt.	List Price
TLC	Low Wall Cabinet	72" x 24" x 29 1/2"	262#	\$1535
TBUF	Executive Buffet Cabinet	72" x 24" x 36"	242#	\$2357
TBD	Bookcase with Lower Doors	36" x 15" x 77 1/2"	174#	\$1087
TB5	Bookcase with Five Shelves	36" x 15" x 77 1/2"	165#	\$1046
TLF	Two-Drawer Lateral File	36" x 24" x 29 1/2"	161#	\$1169
TLF4	Four-Drawer Lateral File	36" x 19" x 57"	253#	\$2019
THLF	Lateral File Hutch	36" x 15" x 48"	101#	\$586

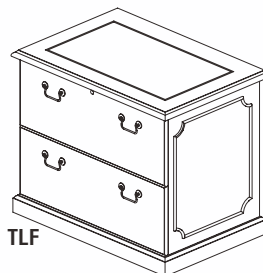


TBD

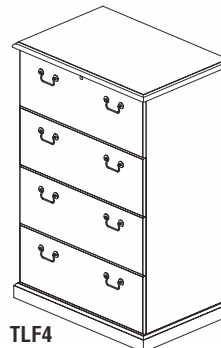


TB5

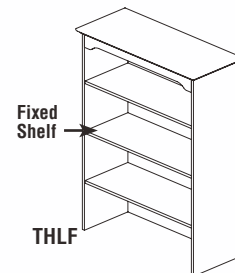
Fixed Shelf



TLF



TLF4

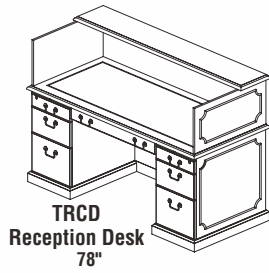


THLF

Fixed Shelf

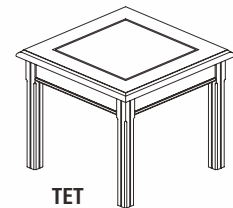
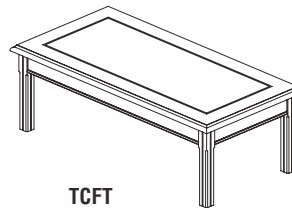
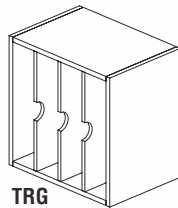
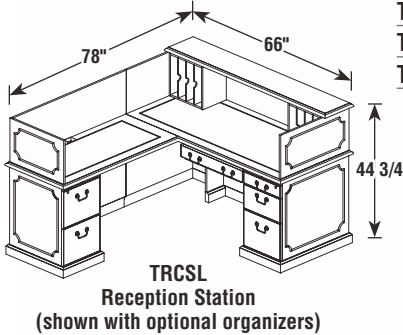


**RECEPTION STATIONS/OCCASIONAL TABLES**

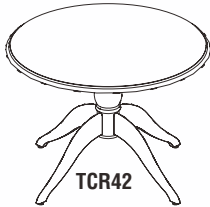


- Configured as either a freestanding double-pedestal desk station, or complete with right- or left-handed return.
- Reception stations ship complete as shown. (Counter Organizers sold separately.)
- Reception Counter measures 66"W x 12"D x 44 3/4"H from floor. Privacy screen measures 14"H above work surface.
- Reception Counter Organizer can be installed in two directions offering choice of horizontal or vertical openings.

Model No.	Description	Dimensions	Wt.	List Price
TRCD	Reception Desk	66" x 30" x 44 3/4"	458#	\$2886
TRCSL	Reception Station (left)	66" x 30" x 44 3/4" Desk 48" x 24" x 43" Return	609#	\$3792
TRCSR	Reception Station (right)	66" x 30" x 44 3/4" Desk 48" x 24" x 43" Return	609#	\$3792
TRG	Reception Counter Organizer (assembled)	13 3/4" x 13 3/4" x 9 3/4"	26#	\$256
TCFT	Coffee Table, 48" x 24"	48" x 24" x 16"	62#	\$565
TET	End Table, 24" x 24"	24" x 24" x 22"	46#	\$401

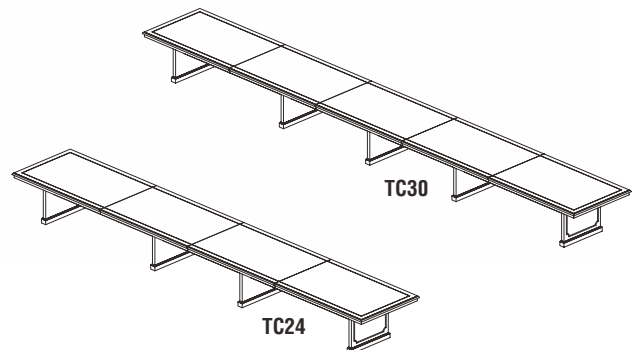
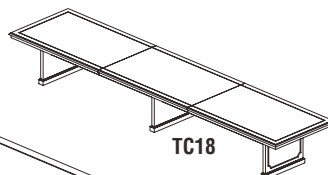
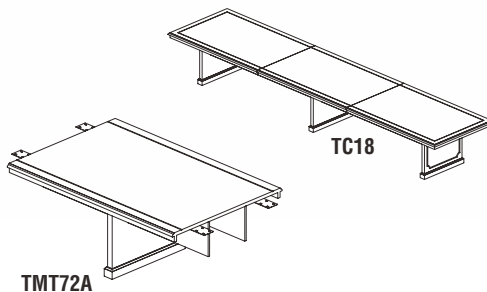
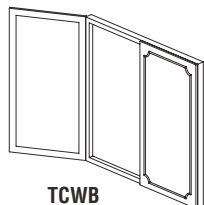
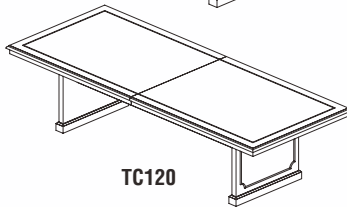
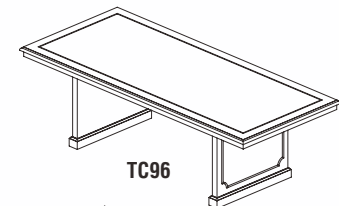


**CONFERENCE ROOM TABLES**

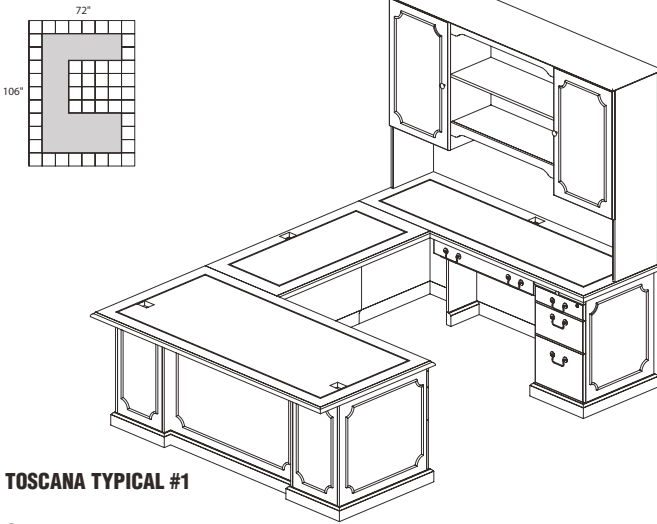


- For tables 12' and longer, REAL Office's patent-pending modular table design is utilized combining "starter" and "adder" sections. For tables larger than 30', simply order additional TMT72A adders to build onto 26' or 30' tables in 6' increments.
- All rectangular tables feature a 2"H solid wood apron under table surface and full-width modesty panel between legs.
- Rectangular table legs have 1" thick upright panel and 2" wide base molding.
- Tables larger than 96"L have multi-piece top surfaces connected via steel cam fasteners and steel connecting plates.

Model No.	Description	Dimensions	Wt.	List Price
TCR42	Round Conference Table	42" Dia. x 29 1/2"	106#	\$874
TC72	6' Rectangular Conference Table	72" x 36" x 29 1/2"	194#	\$1261
TC96	8' Rectangular Conference Table	96" x 42" x 29 1/2"	319#	\$1571
TC120	10' Rectangular Conference Table	120" x 48" x 29 1/2"	339#	\$2636
TC12	12' Rectangular Conference Table	144" x 54" x 29 1/2"	462#	\$3532
TC14	14' Rectangular Conference Table	168" x 54" x 29 1/2"	506#	\$3944
TC18	18' Rectangular Conference Table	216" x 54" x 29 1/2"	614#	\$4749
TC20	20' Rectangular Conference Table	240" x 54" x 29 1/2"	658#	\$5161
TC24	24' Rectangular Conference Table	288" x 54" x 29 1/2"	818#	\$6346
TC26	26' Rectangular Conference Table	312" x 54" x 29 1/2"	862#	\$6758
TC30	30' Rectangular Conference Table	360" x 54" x 29 1/2"	1023#	\$7943
TMT72A	6' Rectangular Conference Table Adder	72" x 54" x 29 1/2"	205#	\$1597
TCWB	White Board Cabinet	48" x 48" x 3"	132#	\$872

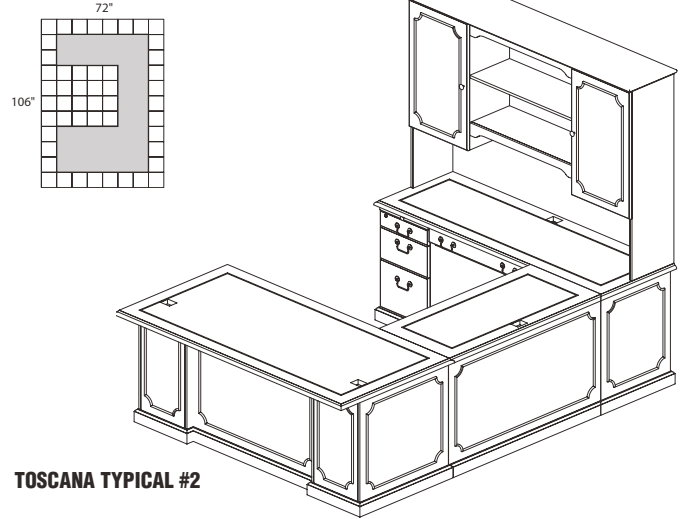


- Order complete suites using "TAT\_\_" models.



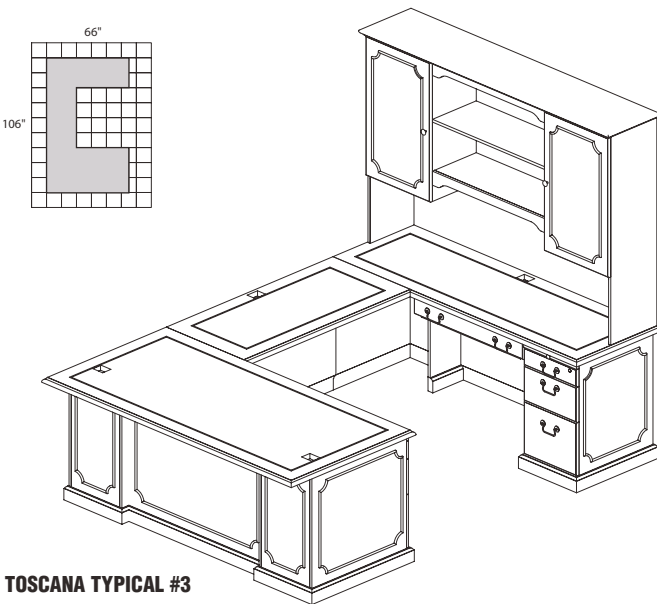
**TOSCANA TYPICAL #1**

Consists of:		
MODEL NO.	DESCRIPTION	LIST PRICE
TURBB72	Executive "U," Right Bridge PBF-Desk, PBF-Credenza	\$4,141
THW72	72" Hutch Wood Doors	\$1,341
<b>TAT1</b>	<b>TOTAL:</b>	<b><u>\$5,482</u></b>



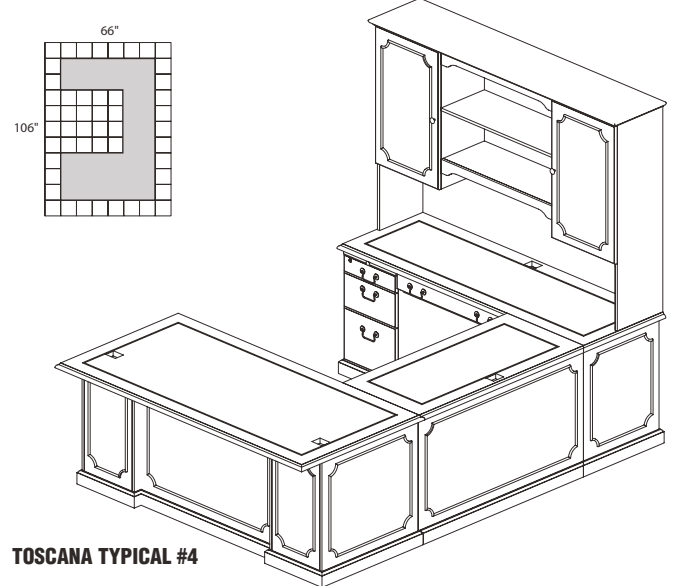
**TOSCANA TYPICAL #2**

Consists of:		
MODEL NO.	DESCRIPTION	LIST PRICE
TULBB72	Executive "U," Left Bridge PBF-Desk, PBF-Credenza	\$4,141
THW72	72" Hutch Wood Doors	\$1,341
<b>TAT2</b>	<b>TOTAL:</b>	<b><u>\$5,482</u></b>



**TOSCANA TYPICAL #3**

Consists of:		
MODEL NO.	DESCRIPTION	LIST PRICE
TURBB66	Executive "U," Right Bridge PBF-Desk, PBF-Credenza	\$3,999
THW66	66" Hutch Wood Doors	\$1,238
<b>TAT3</b>	<b>TOTAL:</b>	<b><u>\$5,237</u></b>



**TOSCANA TYPICAL #4**

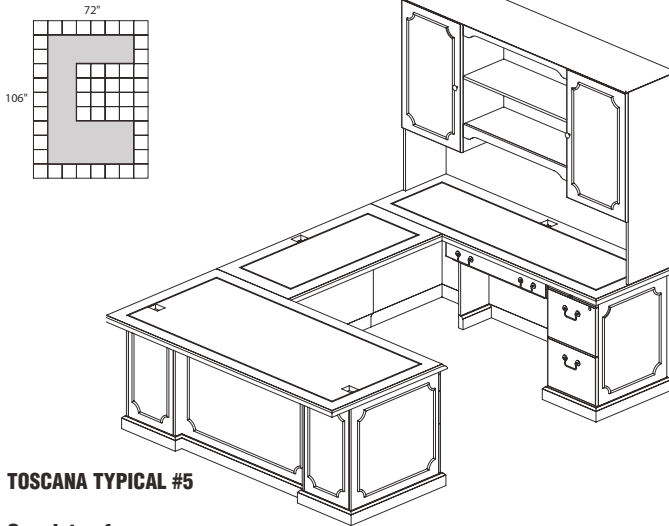
Consists of:		
MODEL NO.	DESCRIPTION	LIST PRICE
TULBB66	Executive "U," Left Bridge PBF-Desk, PBF-Credenza	\$3,999
THW66	66" Hutch Wood Doors	\$1,238
<b>TAT4</b>	<b>TOTAL:</b>	<b><u>\$5,237</u></b>

To order hutch with glass doors, add the letter "G" to the end of the model number and add \$100 to the total list price (ex: TAT1 becomes TAT1G).

**TOSCANA TYPICALS**

Mayline Customer Service: 1-800-822-8037

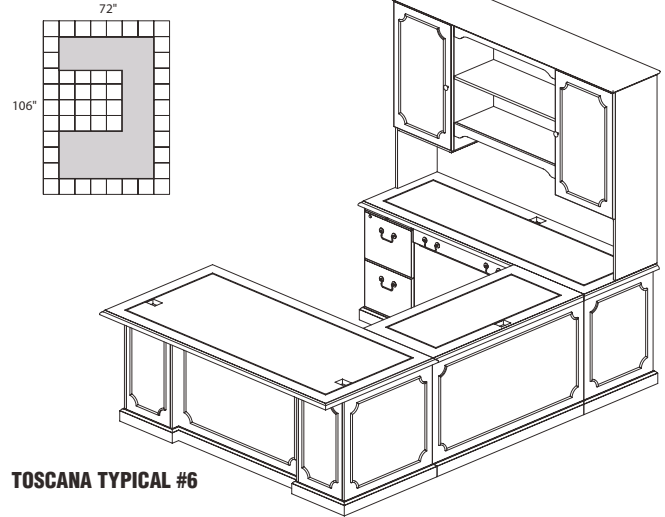
- Order complete suites using "TAT\_\_" models.



**TOSCANA TYPICAL #5**

Consists of:

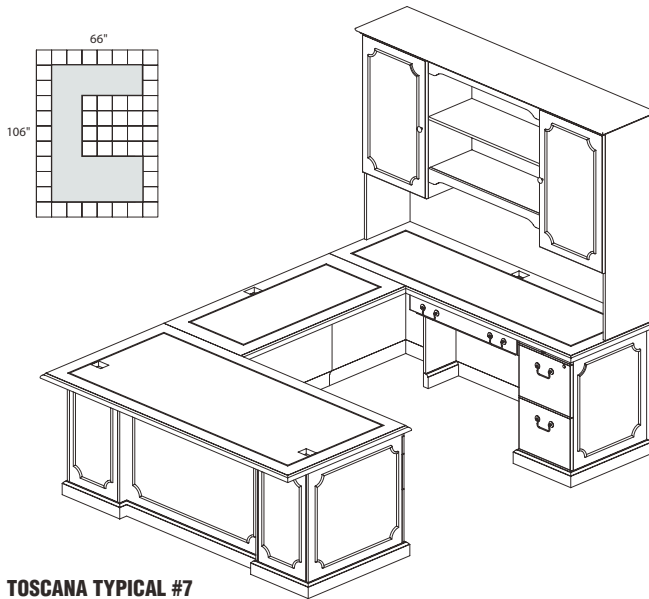
MODEL NO.	DESCRIPTION	LIST PRICE
TURBF72	Executive "U," Right Bridge PBF-Desk, FF-Credenza	\$4,073
THW72	72" Hutch Wood Doors	\$1,341
<b>TAT5</b>	<b>TOTAL:</b>	<b><u>\$5,414</u></b>



**TOSCANA TYPICAL #6**

Consists of:

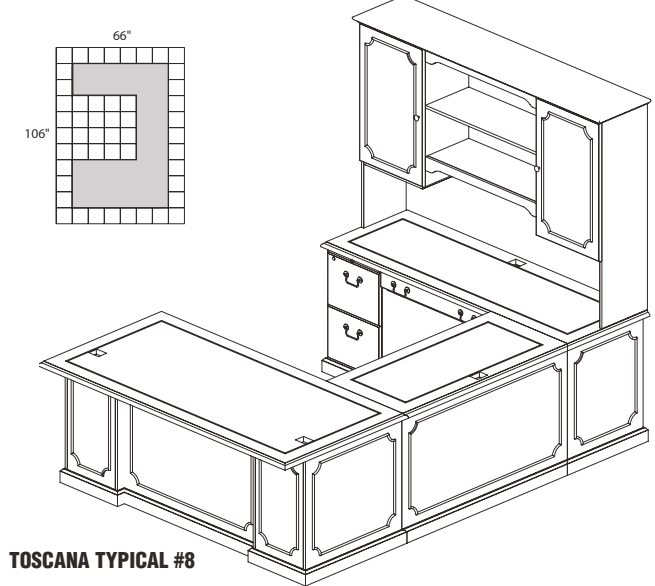
MODEL NO.	DESCRIPTION	LIST PRICE
TULBF72	Executive "U," Left Bridge PBF-Desk, FF-Credenza	\$4,073
THW72	72" Hutch Wood Doors	\$1,341
<b>TAT6</b>	<b>TOTAL:</b>	<b><u>\$5,414</u></b>



**TOSCANA TYPICAL #7**

Consists of:

MODEL NO.	DESCRIPTION	LIST PRICE
TURBF66	Executive "U," Right Bridge PBF-Desk, FF-Credenza	\$3,931
THW66	66" Hutch Wood Doors	\$1,238
<b>TAT7</b>	<b>TOTAL:</b>	<b><u>\$5,169</u></b>



**TOSCANA TYPICAL #8**

Consists of:

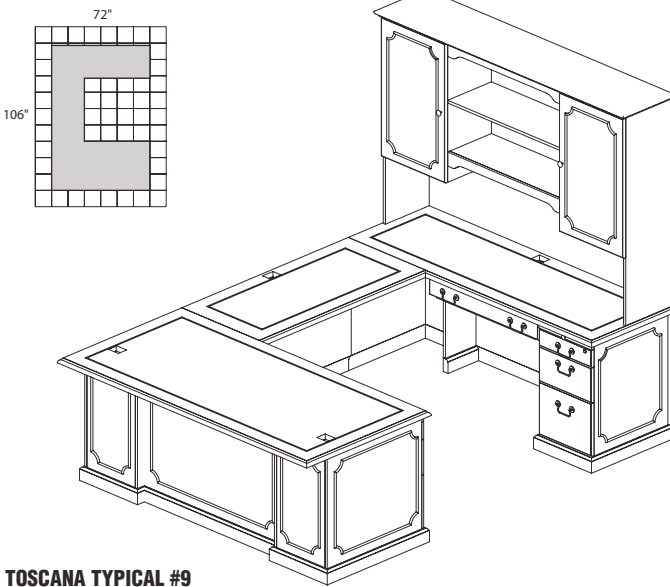
MODEL NO.	DESCRIPTION	LIST PRICE
TULBF66	Executive "U," Left Bridge PBF-Desk, FF-Credenza	\$3,931
THW66	66" Hutch Wood Doors	\$1,238
<b>TAT8</b>	<b>TOTAL:</b>	<b><u>\$5,169</u></b>

To order hutch with glass doors, add the letter "G" to the end of the model number and add \$100 to the total list price (ex: TAT1 becomes TAT1G).

**TOSCANA TYPICALS**

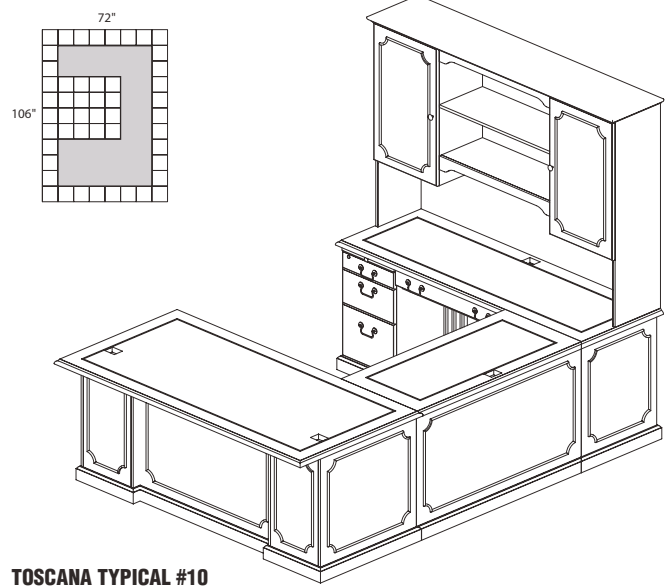
Mayline Customer Service: 1-800-822-8037

- Order complete suites using "TAT\_\_" models.



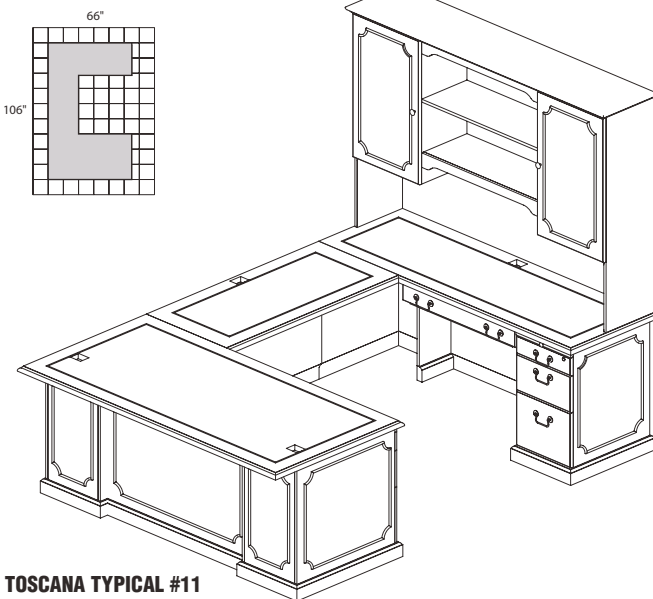
**TOSCANA TYPICAL #9**

Consists of:		
MODEL NO.	DESCRIPTION	LIST PRICE
TDURC72	Executive CPU "U," Right Bridge	\$4,279
THW72	72" Hutch Wood Doors	\$1,341
<b>TAT9</b>	<b>TOTAL:</b>	<b><u>\$5,620</u></b>



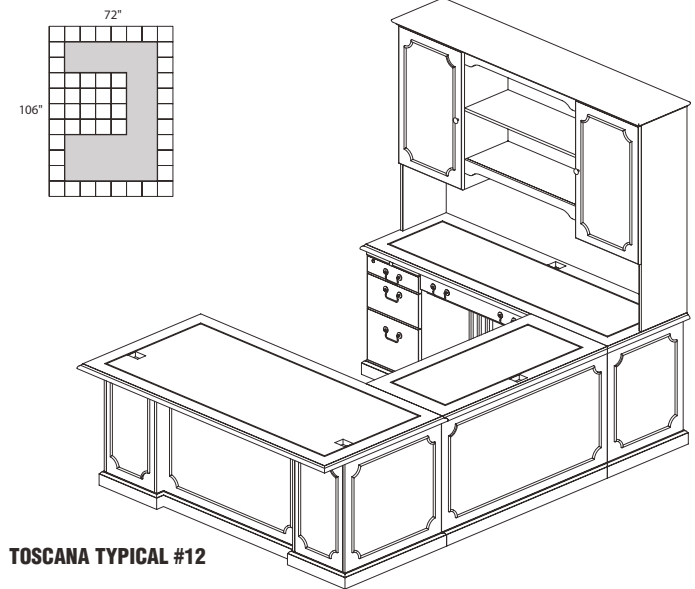
**TOSCANA TYPICAL #10**

Consists of:		
MODEL NO.	DESCRIPTION	LIST PRICE
TDULC72	Executive CPU "U," Left Bridge	\$4,279
THW72	72" Hutch Wood Doors	\$1,341
<b>TAT10</b>	<b>TOTAL:</b>	<b><u>\$5,620</u></b>



**TOSCANA TYPICAL #11**

Consists of:		
MODEL NO.	DESCRIPTION	LIST PRICE
TDURC66	Executive CPU "U," Right Bridge	\$4,137
THW66	66" Hutch Wood Doors	\$1,238
<b>TAT11</b>	<b>TOTAL:</b>	<b><u>\$5,375</u></b>



**TOSCANA TYPICAL #12**

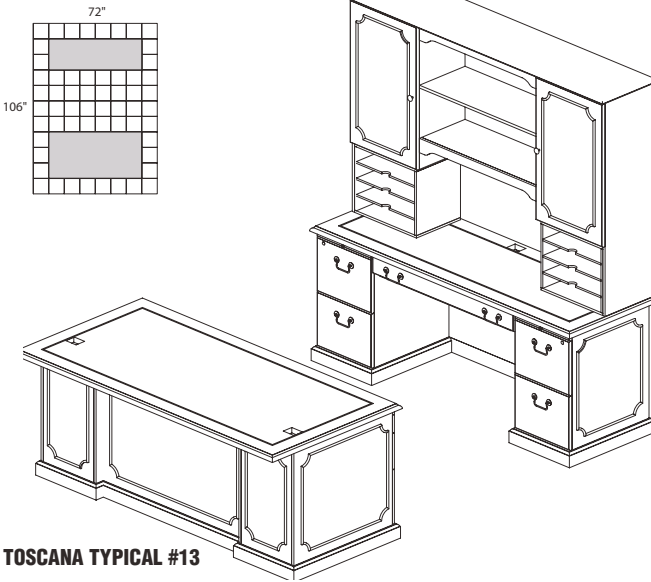
Consists of:		
MODEL NO.	DESCRIPTION	LIST PRICE
TDULC66	Executive CPU "U," Left Bridge	\$4,137
THW66	66" Hutch Wood Doors	\$1,238
<b>TAT12</b>	<b>TOTAL:</b>	<b><u>\$5,375</u></b>

To order hutch with glass doors, add the letter "G" to the end of the model number and add \$100 to the total list price (ex: TAT1 becomes TAT1G).

**TOSCANA TYPICALS**

Mayline Customer Service: 1-800-822-8037

- Order complete suites using "TAT\_\_" models.

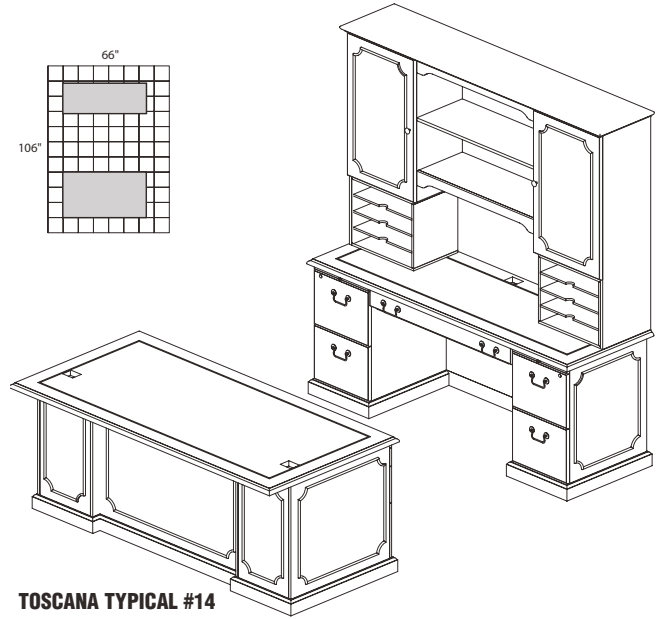


**TOSCANA TYPICAL #13**

Consists of:

MODEL NO.	DESCRIPTION	LIST PRICE
TDBB72	Double Pedestal Desk, PBF/PBF	\$2,466
TCFF72	Double Pedestal Credenza, FF/FF	\$2,021
THW72	72" Hutch Wood Doors	\$1,341
THH	Hutch Organizer, Horizontal (2)	\$616

**TAT13 TOTAL: \$6,444**

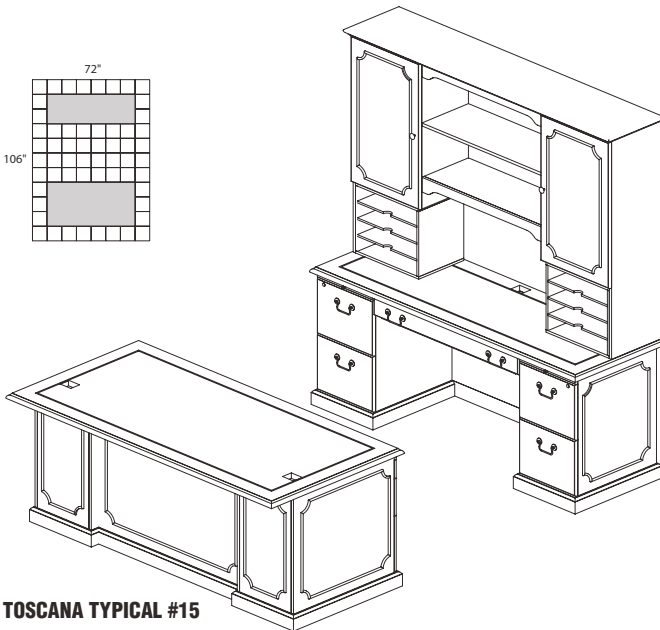


**TOSCANA TYPICAL #14**

Consists of:

MODEL NO.	DESCRIPTION	LIST PRICE
TDBB66	Double Pedestal Desk, PBF/PBF	\$2,394
TCFF66	Double Pedestal Credenza, FF/FF	\$1,965
THW66	66" Hutch Wood Doors	\$1,238
THH	Hutch Organizer, Horizontal (2)	\$616

**TAT14 TOTAL: \$6,213**

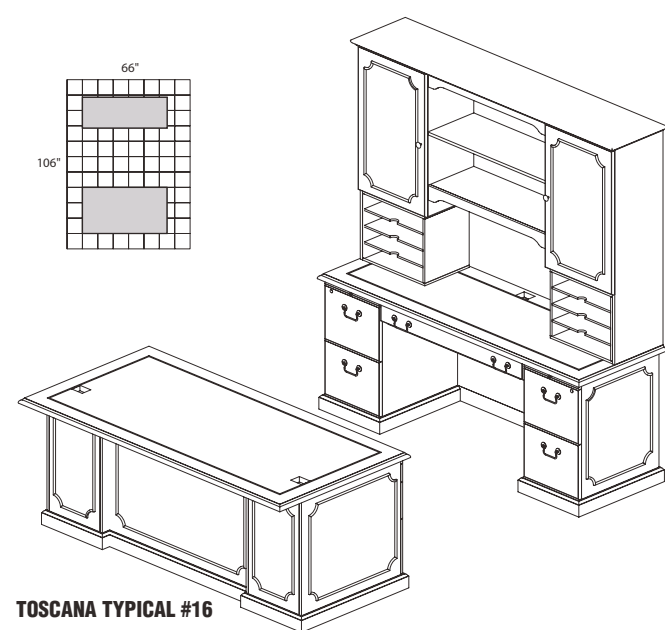


**TOSCANA TYPICAL #15**

Consists of:

MODEL NO.	DESCRIPTION	LIST PRICE
TDBF72	Double Pedestal Desk, PBF/FF	\$2,437
TCFF72	Double Pedestal Credenza, FF/FF	\$2,021
THW72	72" Hutch Wood Doors	\$1,341
THH	Hutch Organizer, Horizontal (2)	\$616

**TAT15 TOTAL: \$6,415**



**TOSCANA TYPICAL #16**

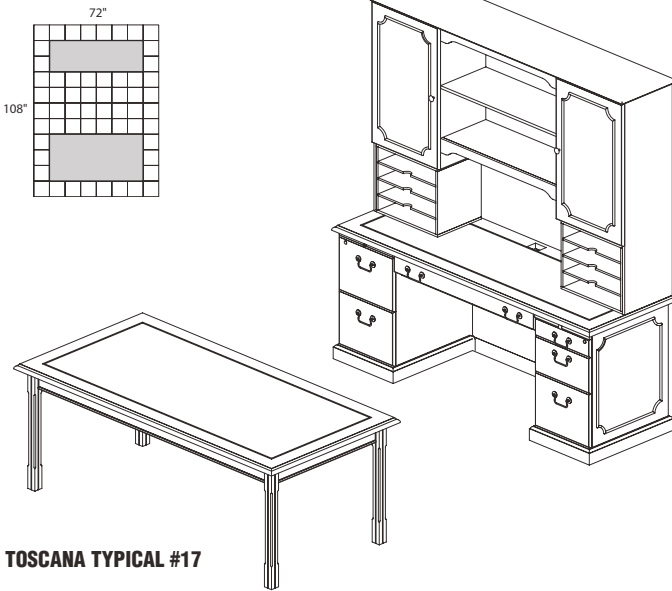
Consists of:

MODEL NO.	DESCRIPTION	LIST PRICE
TDBF66	Double Pedestal Desk, PBF/FF	\$2,365
TCFF66	Double Pedestal Credenza, FF/FF	\$1,965
THW66	66" Hutch Wood Doors	\$1,238
THH	Hutch Organizer, Horizontal (2)	\$616

**TAT16 TOTAL: \$6,184**

To order hutch with glass doors, add the letter "G" to the end of the model number and add \$100 to the total list price (ex: TAT1 becomes TAT1G).

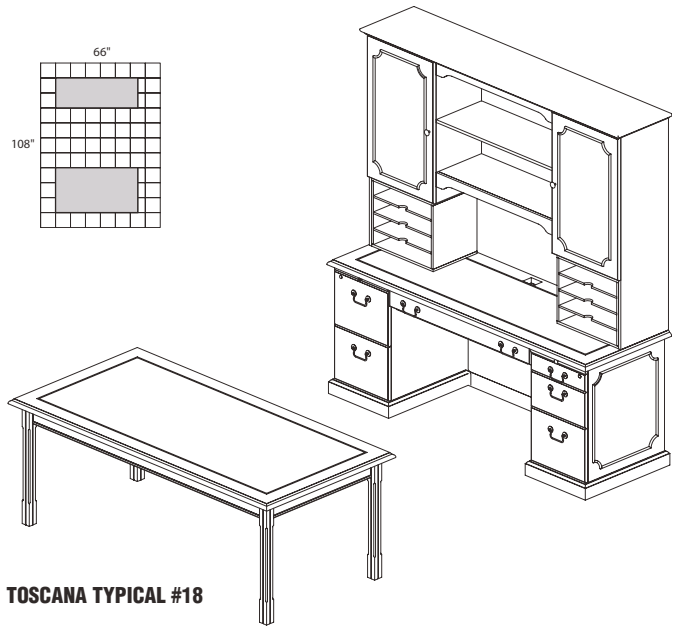
• Order complete suites using "TAT\_" models.



**TOSCANA TYPICAL #17**

Consists of:		
MODEL NO.	DESCRIPTION	LIST PRICE
TTD72	Table Desk	\$1,029
TCBF72	Double Pedestal Credenza, PBF/FF	\$2,089
THW72	72" Hutch Wood Doors	\$1,341
THH	Hutch Organizer, Horizontal (2)	\$616

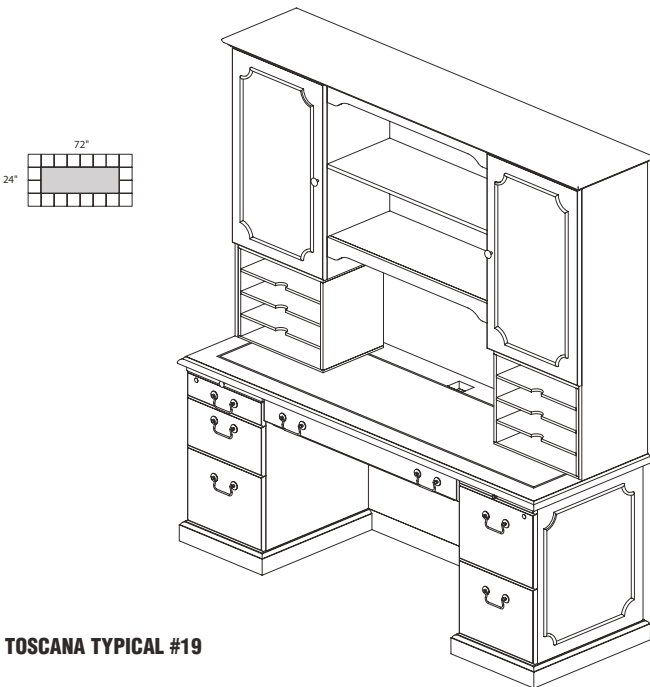
**TAT17** **TOTAL: \$5,075**



**TOSCANA TYPICAL #18**

Consists of:		
MODEL NO.	DESCRIPTION	LIST PRICE
TTD66	Table Desk	\$926
TCBF66	Double Pedestal Credenza, PBF/FF	\$2,033
THW66	72" Hutch Wood Doors	\$1,238
THH	Hutch Organizer, Horizontal (2)	\$616

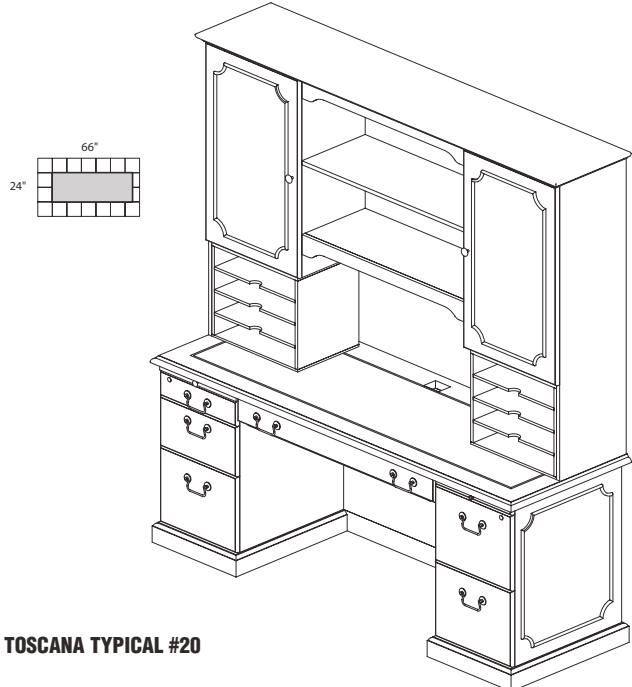
**TAT18** **TOTAL: \$4,813**



**TOSCANA TYPICAL #19**

Consists of:		
MODEL NO.	DESCRIPTION	LIST PRICE
TCBF72	Double Pedestal Credenza, PBF/FF	\$2,089
THW72	72" Hutch Wood Doors	\$1,341
THH	Hutch Organizer, Horizontal (2)	\$616

**TAT19** **TOTAL: \$4,046**



**TOSCANA TYPICAL #20**

Consists of:		
MODEL NO.	DESCRIPTION	LIST PRICE
TCBF66	Double Pedestal Credenza, PBF/FF	\$2,033
THW66	66" Hutch Wood Doors	\$1,238
THH	Hutch Organizer, Horizontal (2)	\$616

**TAT20** **TOTAL: \$3,887**

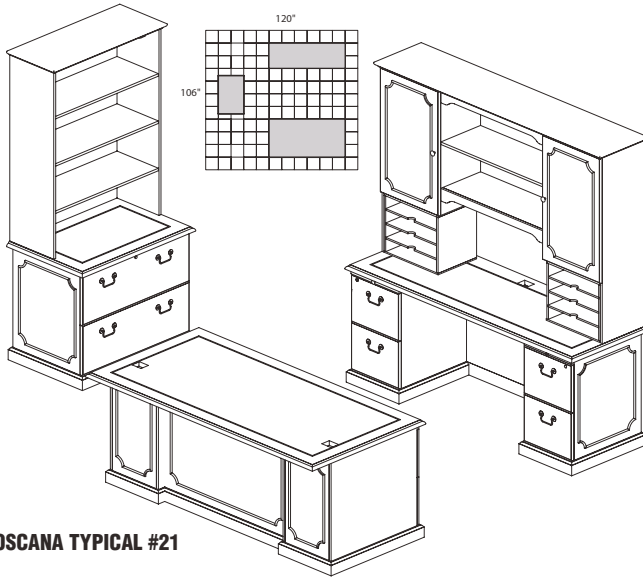
To order hutch with glass doors, add the letter "G" to the end of the model number and add \$100 to the total list price (ex: TAT1 becomes TAT1G).



**TOSCANA TYPICALS**

Mayline Customer Service: 1-800-822-8037

- Order complete suites using "TAT\_\_" models.



**TOSCANA TYPICAL #21**

Consists of:  
MODEL NO.

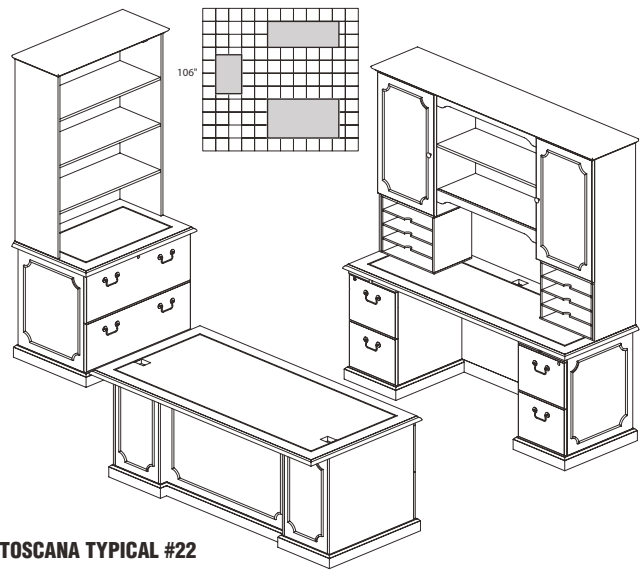
DESCRIPTION

LIST PRICE

TDBB72	Double Pedestal Desk, PBF/PBF	\$2,466
TCFF72	Double Pedestal Credenza, FF/FF	\$2,021
THW72	72" Hutch Wood Doors	\$1,341
TLF	Two-Drawer Lateral File	\$1,169
THLF	Lateral File Hutch	\$586
THH	Hutch Organizer, Horizontal (2)	\$616

**TAT21**

**TOTAL: \$8,199**



**TOSCANA TYPICAL #22**

Consists of:  
MODEL NO.

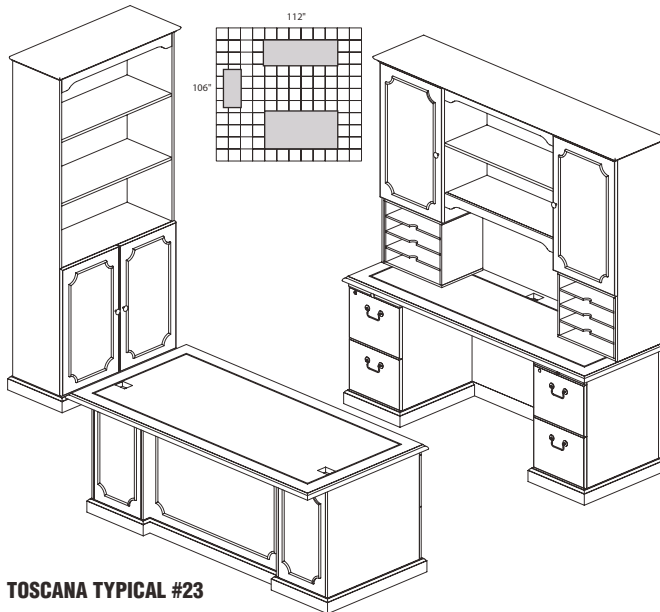
DESCRIPTION

LIST PRICE

TDBB66	Double Pedestal Desk, PBF/PBF	\$2,394
TCFF66	Double Pedestal Credenza, FF/FF	\$1,965
THW66	66" Hutch Wood Doors	\$1,238
TLF	Two-Drawer Lateral File	\$1,169
THLF	Lateral File Hutch	\$586
THH	Hutch Organizer, Horizontal (2)	\$616

**TAT22**

**TOTAL: \$7,968**



**TOSCANA TYPICAL #23**

Consists of:  
MODEL NO.

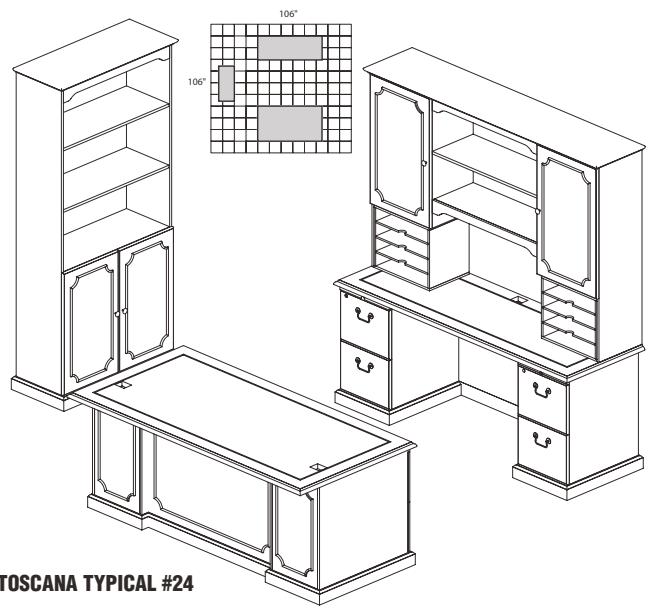
DESCRIPTION

LIST PRICE

TDBF72	Double Pedestal Desk, PBF/FF	\$2,437
TCFF72	Double Pedestal Credenza, FF/FF	\$2,021
THW72	72" Hutch Wood Doors	\$1,341
TBD	Bookcase with Lower Doors	\$1,087
THH	Hutch Organizer, Horizontal (2)	\$616

**TAT23**

**TOTAL: \$7,502**



**TOSCANA TYPICAL #24**

Consists of:  
MODEL NO.

DESCRIPTION

LIST PRICE

TDBF66	Double Pedestal Desk, PBF/FF	\$2,365
TCFF66	Double Pedestal Credenza, FF/FF	\$1,965
THW66	66" Hutch Wood Doors	\$1,238
TBD	Bookcase with Lower Doors	\$1,087
THH	Hutch Organizer, Horizontal (2)	\$616

**TAT24**

**TOTAL: \$7,271**

To order hutch with glass doors, add the letter "G" to the end of the model number and add \$100 to the total list price (ex: TAT1 becomes TAT1G).



# CORSICA SERIES

Mayline Customer Service: 1-800-822-8037



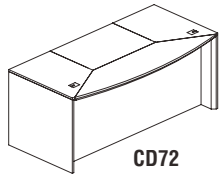
## CORSICA DESK SYSTEM

The Corsica veneer desk system offers a sophisticated, elegant appearance for business or home office. Available in two rich finishes, REAL Office Furniture features AA-grade select North American hardwood veneers throughout. Surfaces: Sierra Cherry finish on cherry veneer and Mahogany finish on walnut veneer.

- Desk, Return and Credenza work surfaces are 2" thick with beveled Black edge.
- All veneer surfaces are protected with two final coats of high-tech catalyzed lacquer.
- All locks are keyed-alike and feature removable cores for installing "keyed-different" locks after-market.

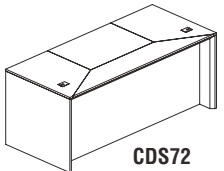
### BOW FRONT DESK

- Features bowfront surface and end panels with beveled edge.
- Full-height modesty panel
- Desk surface has two cable grommets.



Model No.	Dimensions	Wt.	List Price
<b>CD66</b>	66"W x 36"D x 29 1/2"H	242#	\$1183
<b>CD72</b>	72"W x 36"D x 29 1/2"H	273#	\$1303

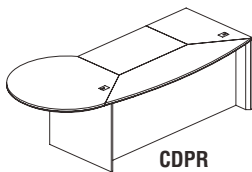
### STRAIGHT FRONT DESK



Model No.	Dimensions	Wt.	List Price
<b>CDS66</b>	66"W x 32"D x 29 1/2"H	235#	\$1077
<b>CDS72</b>	72"W x 32"D x 29 1/2"H	266#	\$1190

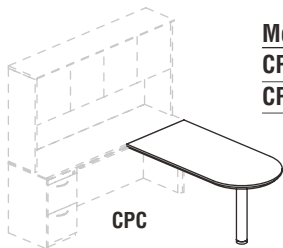
### P-SHAPED DESK

- Features bowfront surface and end panels with beveled edge.
- Desk surface has two cable grommets.
- Conferencing side extension either to right or left.
- Full-height modesty panel

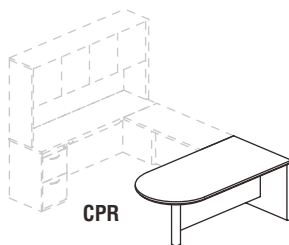


Model No.	Dimensions	Wt.	List Price
<b>CDPR</b>	95"W x 47"D x 29 1/2"H - Right	312#	\$1798
<b>CDPL</b>	95"W x 47"D x 29 1/2"H - Left	312#	\$1798

### PENINSULA DESK

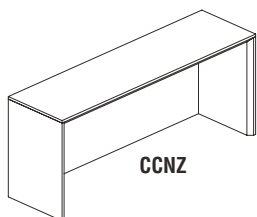


Model No.	Description	Dimensions	Wt.	List Price
<b>CPC</b>	Credenza supported desk	60"W x 30"D x 29 1/2"H	112#	\$815
<b>CPR</b>	Return/Bridge Supported Desk	72"W x 36"D x 29 1/2"H	215#	\$1229



### CREDENZA

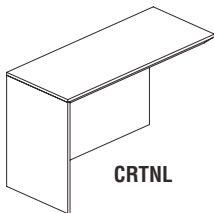
- Full-height modesty panel.
- Beveled edge on end panels match desk detailing.



Model No.	Dimensions	Wt.	List Price
<b>CCNZ66</b>	66"W x 20"D x 29 1/2"H	168#	\$759
<b>CCNZ72</b>	72"W x 20"D x 29 1/2"H	183#	\$808
<b>CCNZ84</b>	84"W x 20"D x 29 1/2"H	216#	\$920
<b>19500TA</b>	Retractable keyboard platform 19 1/2"W x 11"D. Black only. +15° to -15° tilt, 360° swivel.	10#	\$282
<b>19502A</b>	Optional Mouse Platform for 19500A, +15° to -15° tilt, 360° swivel, 8"W x 9"D	2#	\$104

**RETURN**

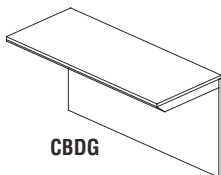
- Choose from Left-Hand or Right-Hand model.
- Features end panel with beveled edge.
- Includes modesty panel.



Model No.	Dimensions	Wt.	List Price
<b>CRTNR</b>	48"W x 20 1/2"D x 29 1/2"H - Right	101#	\$518
<b>CRTNL</b>	48"W x 20 1/2"D x 29 1/2"H - Left	101#	\$518

**BRIDGE**

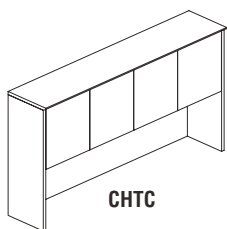
- Universal mounting to right or left side of desk.
- Not free-standing. Requires connection to credenza and desk.
- Includes modesty panel.



Model No.	Dimensions	Wt.	List Price
<b>CBDG</b>	48"W x 20 1/2"D x 29 1/2"H	88#	\$396

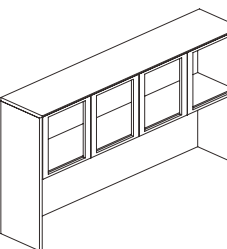
**HUTCH**

- Features four cabinet styled doors with self-closing hinges.
- Back panel features one lower and two upper cable grommets.
- 20 1/2" clearance between work surface and storage bin.



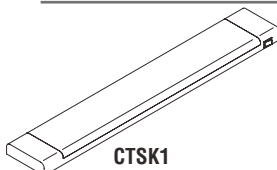
Model No.	Description	Dimensions	Wt.	List Price
<b>CHTC66</b>	66" Hutch w/ wood doors	65 3/4"W x 15"D x 38 1/2"H	156#	\$953
<b>CHTC72</b>	72" Hutch w/ wood doors	71 3/4"W x 15"D x 38 1/2"H	172#	\$1006
<b>CHTC84</b>	84" Hutch w/ wood doors	83 3/4"W x 15"D x 38 1/2"H	232#	\$1101

**HUTCH WITH GLASS DOORS**



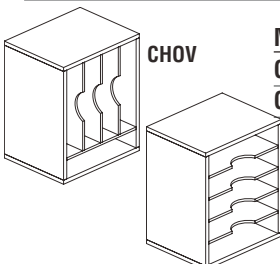
Model No.	Description	Dimensions	Wt.	List Price
<b>CHTCG66</b>	66" Hutch w/ glass doors	65 3/4"W x 15"D x 38 1/2"H	143#	\$1077
<b>CHTCG72</b>	72" Hutch w/ glass doors	71 3/4"W x 15"D x 38 1/2"H	160#	\$1123
<b>CHTCG84</b>	84" Hutch w/ glass doors	83 3/4"W x 15"D x 38 1/2"H	185#	\$1207

**OPTIONAL HUTCH TASKLIGHT**



Model No.	Description	Dimensions	Wt.	List Price
<b>CTSK1</b>	Tasklight	21"W x 3 1/4"D x 1 1/4"H	5#	\$99

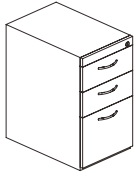
**HUTCH ORGANIZERS**



Model No.	Description	Dimensions	Wt.	List Price
<b>CHOV</b>	Hutch Organizer Vertical (assembled)	15"W x 12"D x 18"H	25#	\$333
<b>CHOH</b>	Hutch Organizer Horizontal (assembled)	15"W x 12"D x 18"H	25#	\$333

**PEDESTAL FILES FOR DESK**

- Drawer interiors finished to match exterior veneer.
- Drawers operate smoothly using full-extension ball-bearing suspensions.
- Gang-lock features removable core.
- Choice of two styles featuring two file drawers or two box drawers and one file drawer.
- File drawers accommodate letter or legal size hanging file folders.

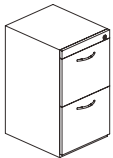


CBBFD

Model No.	Dimensions	Wt.	List Price
<b>CBBFD</b> Box-Box-File	15 1/4"W x 24"D x 27"H Assembled	82#	\$587
<b>CFFD</b> File-File	15 1/4"W x 24"D x 27"H Assembled	68#	\$566

**PEDESTAL FILES FOR CREDENZA/RETURN**

- Drawer interiors finished to match exterior veneer.
- Drawers operate smoothly using full-extension ball-bearing suspensions. Gang-lock features removable core.
- Choice of two styles featuring two file drawers or two box drawers and one file drawer.
- File drawers accommodate letter or legal size hanging file folders.

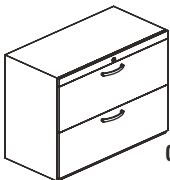


CBBFC

Model No.	Dimensions	Wt.	List Price
<b>CBBFC</b> Box-Box-File	15 1/4"W x 18"D x 27"H Assembled	62#	\$485
<b>CFFC</b> File-File	15 1/4"W x 18"D x 27"H Assembled	54#	\$474

**LATERAL FILE FOR CREDENZA/RETURN**

- Unfinished top. Must be installed under credenza.
- Drawer interiors finished to match exterior veneer.
- Drawers operate smoothly using full-extension ball-bearing suspensions.
- Gang-lock features removable core enabling keyed-alike suites.
- Accommodates letter or legal size hanging file folders.

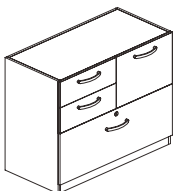


CLF

Model No.	Dimensions	Wt.	List Price
<b>CLF</b>	36"W x 18"D x 27 1/2"H Assembled	105#	\$873

**COMBO FILE FOR CREDENZA/RETURN**

- Unfinished top. Must be installed under credenza.
- Drawer interiors finished to match exterior veneer.
- Drawers operate smoothly using full-extension ball-bearing suspensions.
- Gang-lock features removable core enabling keyed-alike suites.
- Top level features box-box-file drawer configuration.
- Bottom level features full size layered file drawer.

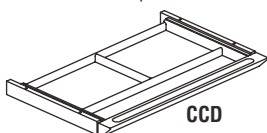


CCF

Model No.	Dimensions	Wt.	List Price
<b>CCF</b>	36"W x 18"D x 27 1/2"H	130#	\$1184

**CENTER DRAWER**

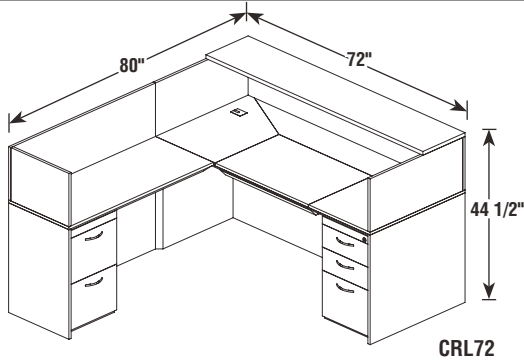
- Can be used on desk or credenza.
- Solid wood frame construction.
- Leather lined interior compartments.
- Beveled front edge to match desk surface design.
- Drawer operates smoothly using full-extension ball-bearing suspension.



CCD

Model No.	Dimensions	Wt.	List Price
<b>CCD</b>	30"W x 18"D x 2"H Assembled	10#	\$169

**CORSICA RECEPTION DESK TYPICAL**



**CORSICA RECEPTION SUITE – CRL72**

Consists of:

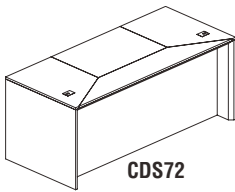
MODEL NO.	DESCRIPTION	LIST PRICE
<b>CDS72</b>	72" Straight Front	\$1190
<b>CRC72</b>	Reception Counter	\$428
<b>CRTNL</b>	Reception Counter Return	\$518
<b>CRS48</b>	Return Reception Screen	\$179
<b>CBBFD</b>	Box-Box-File Ped	\$587
<b>CFFC</b>	File-File Ped	\$474
<b>CCD</b>	Drawer	\$169

**CRL72 TOTAL: \$3,545**

The Corsica Reception Desk is ideal of any business entrance. Available in two rich finishes, REAL Office Furniture Features AA-grade select North American hardwood veneers throughout. Surfaces: Sierra Cherry finish on cherry veneer and Mahogany finish on walnut veneer.

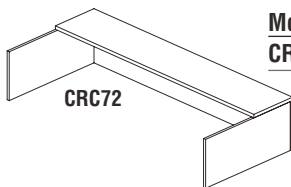
- Workstations and tables feature AA-grade select hardwood veneers throughout.
- Choice of Sierra Cherry finish on cherry veneer and Mahogany finish on walnut veneer.
- Work surfaces are 2" thick with beveled edge in Black.
- Storage cabinets lock and are keyed alike.

**CORSICA DESK**



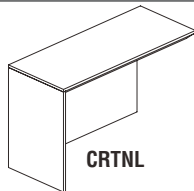
Model No.	Description	Dimensions	Wt.	List Price
<b>CDS72</b>	72" Straight Front	72"W x 32"D x 29 1/2"H	265#	\$1190

**RECEPTION COUNTER**



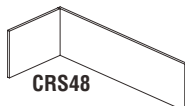
Model No.	Description	Dimensions	Wt.	List Price
<b>CRC72</b>	Reception Counter	72"W x 32"D x 15"H	65#	\$428

**RECEPTION COUNTER RETURN**



Model No.	Description	Dimensions	Wt.	List Price
<b>CRTNR</b>	Return - Right	48"W x 20 1/2"D x 29 1/2"H - Right	101#	\$518
<b>CRTNL</b>	Return - Left	48"W x 20 1/2"D x 29 1/2"H - Left	101#	\$518

**RETURN RECEPTION SCREEN**

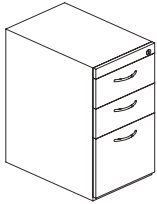


- Universal right- or left-handed.

Model No.	Description	Dimensions	Wt.	List Price
<b>CRS48</b>	Return Reception Screen	48"W x 20 1/4"D x 14"H	15#	\$179

**PEDESTAL FILES FOR DESK**

- Drawer interiors finished to match exterior veneer.
- Drawers operate smoothly using full-extension ball-bearing suspensions.
- Gang-lock features removable core.
- Choice of two styles featuring two file drawers or two box drawers and one file drawer.
- File drawers accommodate letter or legal size hanging file folders.

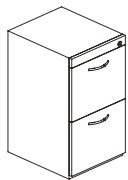


CBBFD

Model No.	Dimensions	Wt.	List Price
<b>CBBFD</b> Box-Box-File	15 1/4"W x 24"D x 27"H Assembled	82#	\$587
<b>CFFD</b> File-File	15 1/4"W x 24"D x 27"H Assembled	68#	\$566

**PEDESTAL FILES FOR CREDENZA/RETURN**

- Drawer interiors finished to match exterior veneer.
- Drawers operate smoothly using full-extension ball-bearing suspensions. Gang-lock features removable core.
- Choice of two styles featuring two file drawers or two box drawers and one file drawer.
- File drawers accommodate letter or legal size hanging file folders.

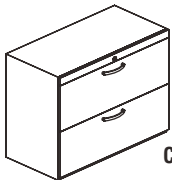


CFFC

Model No.	Dimensions	Wt.	List Price
<b>CBBFC</b> Box-Box-File	15 1/4"W x 18"D x 27"H Assembled	62#	\$485
<b>CFFC</b> File-File	15 1/4"W x 18"D x 27"H Assembled	54#	\$474

**LATERAL FILE FOR CREDENZA/RETURN**

- Unfinished top. Must be installed under credenza.
- Drawer interiors finished to match exterior veneer.
- Drawers operate smoothly using full-extension ball-bearing suspensions.
- Gang-lock features removable core enabling keyed-alike suites.
- Accommodates letter or legal size hanging file folders.

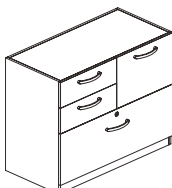


CLF

Model No.	Dimensions	Wt.	List Price
<b>CLF</b>	36"W x 18"D x 27 1/2"H Assembled	105#	\$873

**COMBO FILE FOR CREDENZA/RETURN**

- Unfinished top. Must be installed under credenza.
- Drawer interiors finished to match exterior veneer.
- Drawers operate smoothly using full-extension ball-bearing suspensions.
- Gang-lock features removable core enabling keyed-alike suites.
- Top level features box-box-file drawer configuration.
- Bottom level features full size layered file drawer.



CCF

Model No.	Dimensions	Wt.	List Price
<b>CCF</b>	36"W x 17"D x 27 1/2"H	130#	\$1184

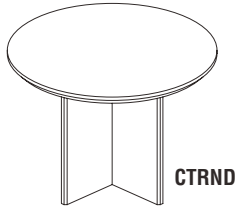
**CORSICA CONFERENCE ROOM FURNITURE**

The Corsica veneer conference room furniture features elegant lines with excellent durability. Available in two rich finishes, REAL Office Furniture features AA-grade select North American hardwood veneers throughout. Beveled 2" thick surfaces.

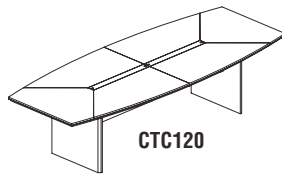
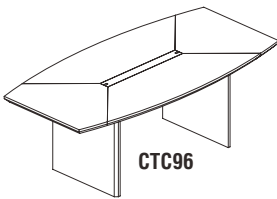
**Surfaces:** Sierra Cherry finish on cherry veneer and Mahogany finish on walnut veneer.

- All veneer surfaces are protected with two coats of high-tech catalyzed lacquer.

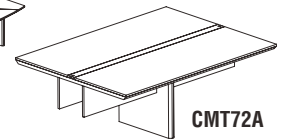
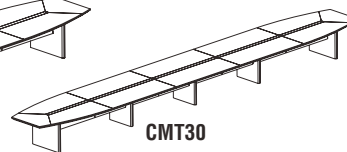
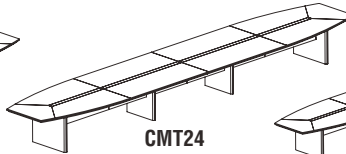
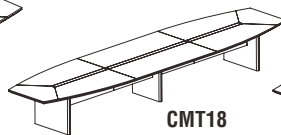
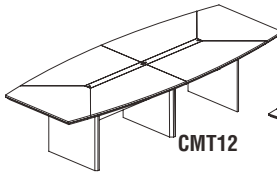
**CONFERENCE TABLES**



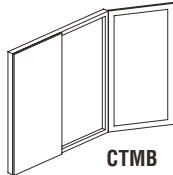
- Built-in cable management panel features a flush, removable steel cover.
- Table top is 2" thick with Black beveled edge.
- Work surfaces are protected with two-coats of high-tech catalyzed lacquer finish.
- For tables 12' and longer, REAL Office's patent-pending modular table design is utilized combining "starter" and "adder" sections. For tables larger than 30', simply order additional CMT72A adders to increase size of 26' and 30' tables in 6' increments.
- Tables larger than 96"L have multi-piece top surfaces connected via steel cam fasteners and steel connecting plates.
- All "CTC" models feature a 'boat-shaped' surface.
- Tops and base ship separately.



Model No.	Description	Dimensions	Wt.	List Price
<b>CTC72</b>	Boat-shaped Conference Table	72"W x 36"D x 29 1/2"H	226#	\$1039
<b>CTC84</b>	Boat-shaped Conference Table	84"W x 42"D x 29 1/2"H	297#	\$1228
<b>CTC96</b>	Boat-shaped Conference Table	96"W x 42"D x 29 1/2"H	340#	\$1528
<b>CTC120</b>	Boat-shaped Conference Table	120"W x 48"D x 29 1/2"H	372#	\$2202
<b>CMT12</b>	Boat-shaped Conference Table	144"W x 54"D x 29 1/2"H	620#	\$3710
<b>CMT14</b>	Boat-shaped Conference Table	168"W x 54"D x 29 1/2"H	713#	\$4134
<b>CMT18</b>	Boat-shaped Conference Table	216"W x 54"D x 29 1/2"H	882#	\$5406
<b>CMT20</b>	Boat-shaped Conference Table	240"W x 54"D x 29 1/2"H	975#	\$5830
<b>CMT24</b>	Boat-shaped Conference Table	288"W x 54"D x 29 1/2"H	1199#	\$7314
<b>CMT26</b>	Boat-shaped Conference Table	312"W x 54"D x 29 1/2"H	1292#	\$7738
<b>CMT30</b>	Boat-shaped Conference Table	360"W x 54"D x 29 1/2"H	1516#	\$9222
<b>CMT72A</b>	Conference Table Adder Section	72"W x 54"D x 29 1/2"H	317#	\$1908
<b>CTRND</b>		42" Round x 29 1/2"H	80#	\$569



**PRESENTATION BOARD**



- White dry-erase board center panel. Features magnetic, non-ghosting surface.
- Sculpted lower tray holds markers, erasers, etc.
- Tackable light tan interior door inserts.
- Full-height brass hinge.

Model No.	Dimensions	Wt.	List Price
<b>CTMB</b>	48"W x 48"H x 3 1/4"D Assembled	110#	\$951

**CORSICA STORAGE SYSTEMS**

The Corsica veneer storage systems furniture features elegant lines with excellent durability. Available in three rich finishes, REAL Office Furniture features AA-grade select North American hardwood veneers throughout.

**Surfaces:** Sierra Cherry finish on cherry veneer, Mahogany finish on walnut veneer and Golden Cherry finish on beech veneer.

- All veneer surfaces are protected with two final coats of high-tech catalyzed lacquer.
- All lateral files and storage cabinets feature finished backs.
- All locks have removable cores.
- Lateral files and mobile pedestals feature gang lock mechanism.

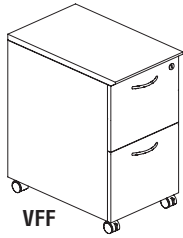
**LATERAL FILE**



- Drawer interiors finished to match exterior veneer.
- Gang-lock features removable core enabling keyed-alike suites.
- Drawers operate smoothly using full-extension ball-bearing suspensions.
- Includes counter-weight for stability when in use.
- Accommodate letter and legal sized hanging file folders.

Model No.	Description	Dimensions	Wt.	List Price
<b>VLF</b>	File-File	36"W x 19"D x 29 1/2"H Assembled	160#	\$1059
<b>VLF4</b>	4 Drawer File	36"W x 19"D x 56"H	360#	\$2092

**MOBILE PEDESTALS**



VFF

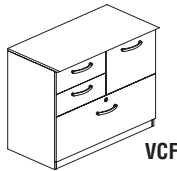
- Drawer interiors finished to match exterior veneer.
- Drawers operate smoothly using full-extension ball-bearing suspensions.
- Gang-lock features removable core enabling keyed-alike suites.
- 2" dual-hooded casters. (2 lock, 2 non-lock)
- Choice of two styles featuring two file drawers or two box drawers and one file drawer.
- File drawers accommodate letter and legal sized hanging file folders.
- Includes counter-weight for stability when in use.



VBBF

Model No.	Description	Dimensions	Wt.	List Price
VBBF	Box-Box-File	15 1/4"W x 24"D x 27 1/2"H Assembled	92#	\$604
VFF	File-File	15 1/4"W x 24"D x 27 1/2"H Assembled	80#	\$587

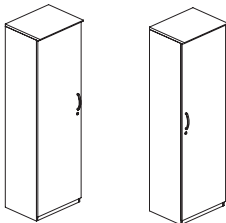
**COMBO FILE**



VCF

Model No.	Description	Dimensions	Wt.	List Price
VCF	Veneer Top	36"W x 19"D x 29 1/2"H Assembled	165#	\$1292

**WARDROBE CABINETS**



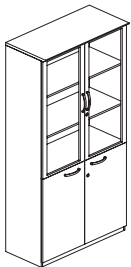
VWRDL

VWRDR

- Choice of units with hinges on left or right.
- Interior features sliding wardrobe hanging bar with 59"H clearance.
- Includes one fixed shelf and three adjustable shelves. (1 1/4" increments)

Model No.	Description	Dimensions	Wt.	List Price
VWRDL	Hinges on left	23 5/8"W x 19"D x 80"H	187#	\$1165
VWRDR	Hinges on right	23 5/8"W x 19"D x 80"H	187#	\$1165

**HIGH WALL CABINET WITH DOORS**

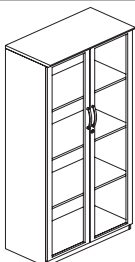


VHC

- Features glass doors with silver frame above wood doors.
- Includes two adjustable shelves in top section and one adjustable shelf in lower section.
- Top and bottom doors lock separately. Keyed alike.
- Able to stand alone or be flanked by Wardrobe Cabinets.

Model No.	Dimensions	Wt.	List Price
VHC	40"W x 19"D x 80"H	284#	\$1852

**68" WALL CABINET**



VCG

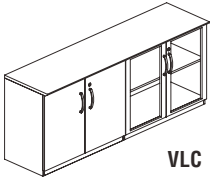
- Storage unit with choice of wood doors or glass doors.
- Includes one fixed shelf and two adjustable shelves.

Model No.	Description	Dimensions	Wt.	List Price
VCW	With wood doors	36"W x 19"D x 68"H	235#	\$1294
VCG	With glass doors	36"W x 19"D x 68"H	253#	\$1294



**LOW WALL CABINET WITH DOORS**

- Features a choice of wood/glass, all-wood, or all-glass door sets.
- Sets of doors lock separately. Keyed alike.
- Includes one adjustable shelf on each side.

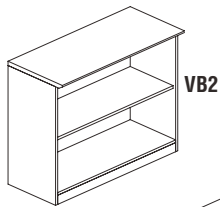


Model No.	Description	Dimensions	Wt.	List Price
<b>VLC</b>	Wood/Glass Door Combination	72"W x 19"D x 29 1/2"H	193#	\$1251
<b>VLCW</b>	All Wood Doors	72"W x 19"D x 29 1/2"H	193#	\$1251
<b>VLCG</b>	All Glass Doors	72"W x 19"D x 29 1/2"H	193#	\$1251

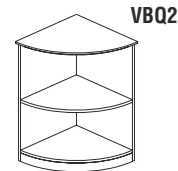
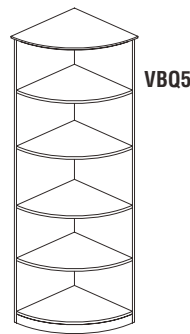
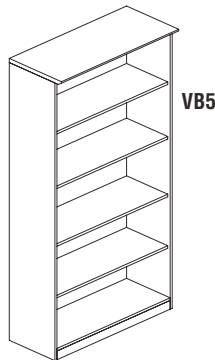
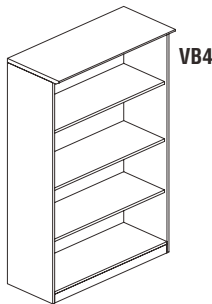
Shown with one pair of glass and one pair of wood doors.

**BOOKCASES**

- Open shelves for convenient storage.
- Choice of two, four or five shelf units.
- Adjustable shelves.

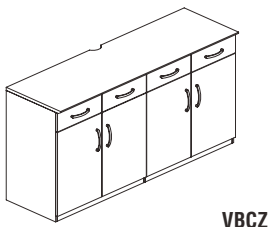


Model No.	Description	Dimensions	Wt.	List Price
<b>VB2</b>	2 Shelf	36"W x 16"D x 29 1/2"H	64#	\$514
<b>VB4</b>	4 Shelf	36"W x 16"D x 54"H	116#	\$847
<b>VB5</b>	5 Shelf	36"W x 16"D x 68"H	140#	\$997
<b>VBQ2</b>	2 Shelf 1/4 - Round	19"W x 19"D x 29 1/2"H	25#	\$485
<b>VBQ5</b>	5 Shelf 1/4 - Round	19"W x 19"D x 68"H	65#	\$940



**BUFFET**

- Features two cabinet compartments (one adjustable shelf in each) and four drawers.
- Designed for audio/visual support including cable pass throughs and inset back panel for wall plug clearance.
- All drawer and cabinet interiors are full-finished veneer.

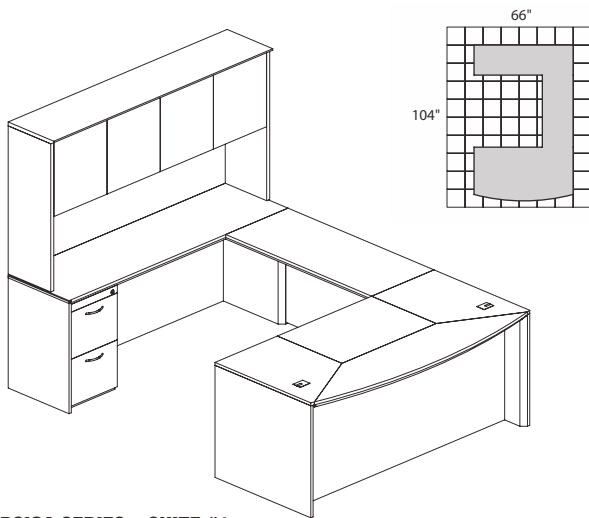


Model No.	Dimensions	Wt.	List Price
<b>VBCZ</b>	72"W x 22"D x 36"H	297#	\$2002

# CORSICA SERIES TYPICALS

Mayline Customer Service: 1-800-822-8037

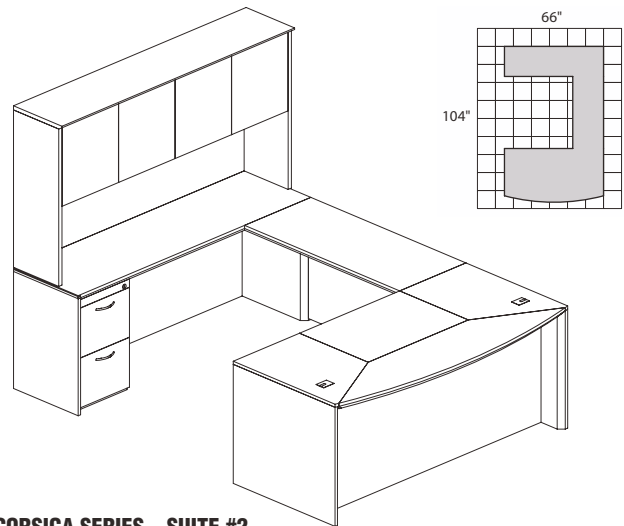
• Order complete suites using "CT\_" models.



**CORSICA SERIES – SUITE #1**

MODEL NO.	DESCRIPTION	LIST PRICE
CD66	66" Bow Front Desk	\$1183
CBDG	Universal Bridge	\$396
CCNZ66	66" Credenza	\$759
CHTC66	66" Wood Doors Hutch	\$953
CBBFD	Box Box File Ped	\$587
CFFC	File File Ped	\$474

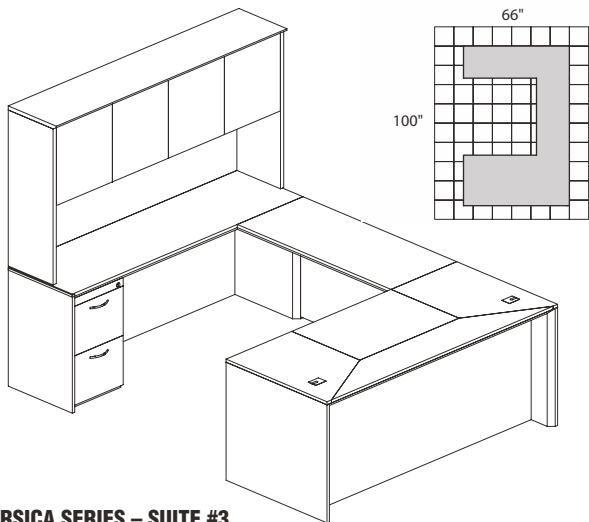
**CT1** **TOTAL: \$4,352**



**CORSICA SERIES – SUITE #2**

MODEL NO.	DESCRIPTION	LIST PRICE
CD72	72" Bow Front Desk	\$1303
CBDG	Universal Bridge	\$396
CCNZ72	72" Credenza	\$808
CHTC72	72" Wood Doors Hutch	\$1006
CBBFD	Box Box File Ped	\$587
CFFC	File File Ped	\$474
CCD	Center Drawer	\$169

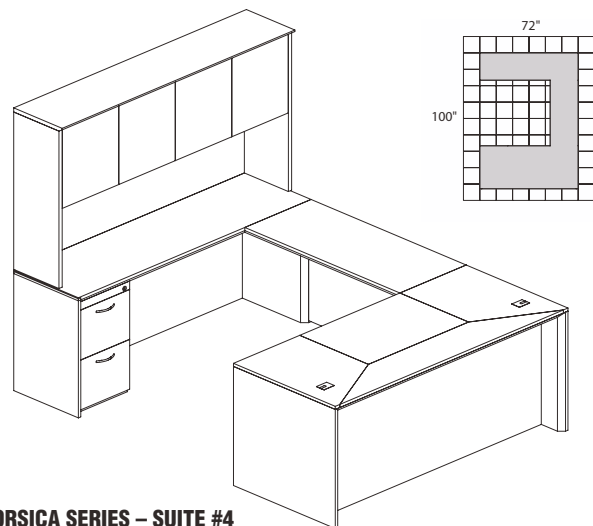
**CT2** **TOTAL: \$4,743**



**CORSICA SERIES – SUITE #3**

MODEL NO.	DESCRIPTION	LIST PRICE
CDS66	66" Straight Front Desk	\$1077
CBDG	Universal Bridge	\$396
CCNZ66	66" Credenza	\$759
CHTC66	66" Wood Doors Hutch	\$953
CBBFD	Box Box File Ped	\$587
CFFC	File File Ped	\$474

**CT3** **TOTAL: \$4,246**



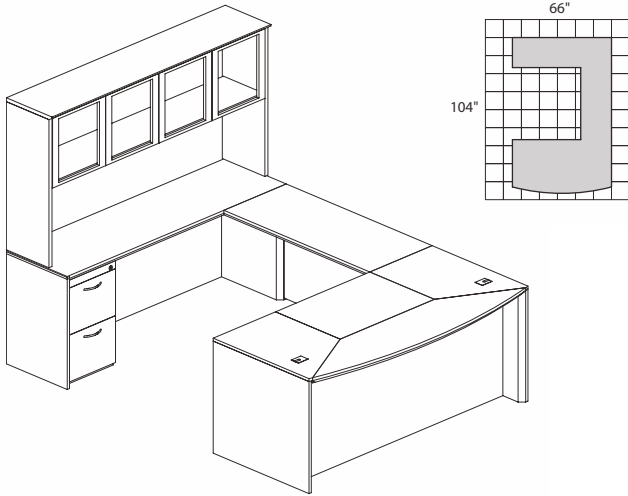
**CORSICA SERIES – SUITE #4**

MODEL NO.	DESCRIPTION	LIST PRICE
CDS72	72" Straight Front Desk	\$1190
CBDG	Universal Bridge	\$396
CCNZ72	72" Credenza	\$808
CHTC72	72" Wood Doors Hutch	\$1006
CBBFD	Box Box File Ped	\$587
CFFC	File File Ped	\$474
CCD	Center Drawer	\$169

**CT4** **TOTAL: \$4,630**

**CORSICA SERIES TYPICALS**

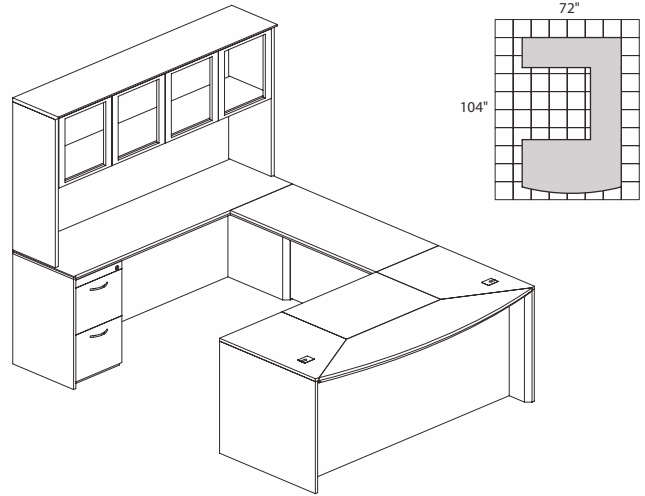
Mayline Customer Service: 1-800-822-8037



**CORSICA SERIES – SUITE #5**

Consists of: MODEL NO.	DESCRIPTION	LIST PRICE
CD66	66" Bow Front Desk	\$1183
CBDG	Universal Bridge	\$396
CCNZ66	66" Credenza	\$759
CHTCG66	66" Glass Doors Hutch	\$1077
CBBFD	Box Box File Ped	\$587
CFFC	File File Ped	\$474

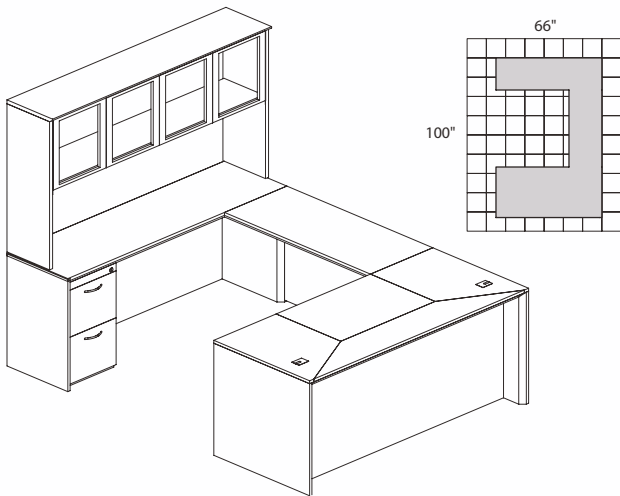
**CT5 TOTAL: \$4476**



**CORSICA SERIES – SUITE #6**

Consists of: MODEL NO.	DESCRIPTION	LIST PRICE
CD72	72" Bow Front Desk	\$1303
CBDG	Universal Bridge	\$396
CCNZ72	72" Credenza	\$808
CHTCG72	72" Glass Doors Hutch	\$1123
CBBFD	Box Box File Ped	\$587
CFFC	File File Ped	\$474
CCD	Center Drawer	\$169

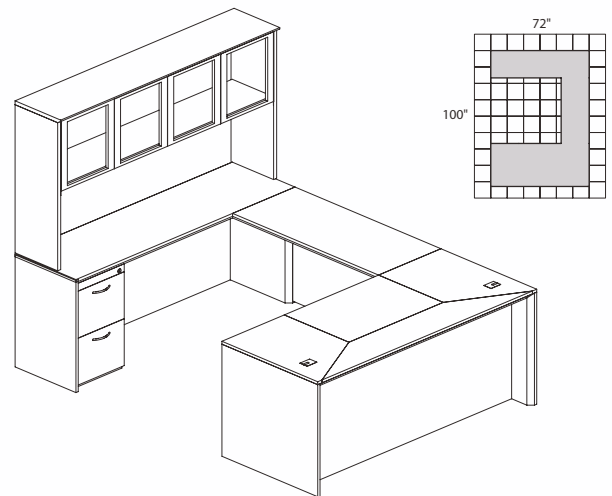
**CT6 TOTAL: \$4860**



**CORSICA SERIES – SUITE #7**

Consists of: MODEL NO.	DESCRIPTION	LIST PRICE
CDS66	66" Bow Front Desk	\$1077
CBDG	Universal Bridge	\$396
CCNZ66	66" Credenza	\$759
CHTCG66	66" Glass Doors Hutch	\$1077
CBBFD	Box Box File Ped	\$587
CFFC	File File Ped	\$474

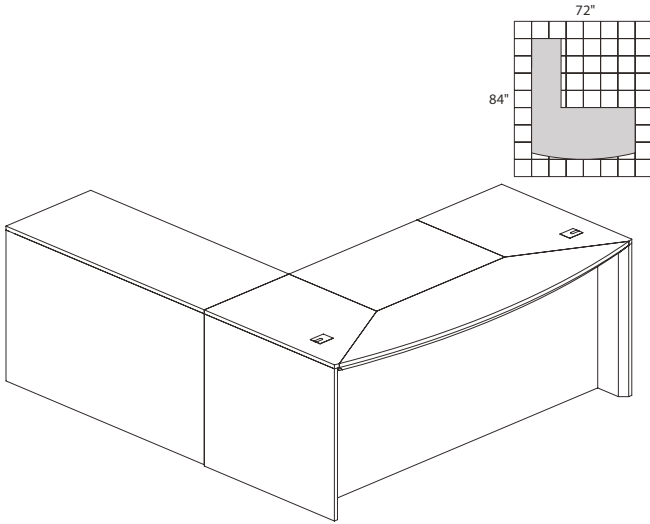
**CT7 TOTAL: \$4,370**



**CORSICA SERIES – SUITE #8**

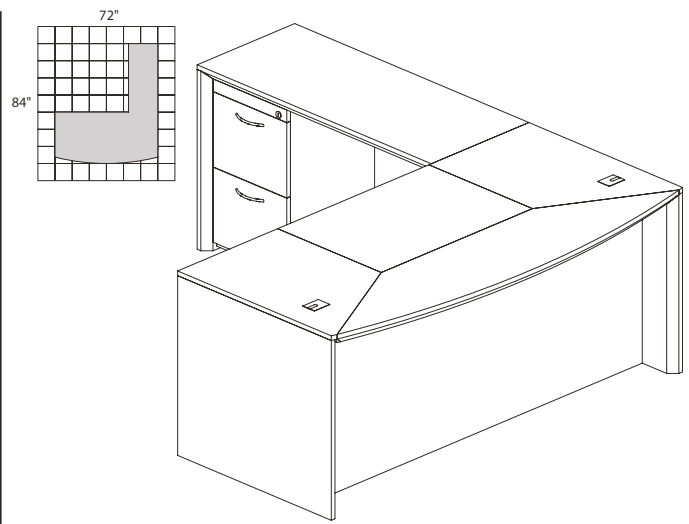
Consists of: MODEL NO.	DESCRIPTION	LIST PRICE
CDS72	72" Straight Front Desk	\$1190
CBDG	Universal Bridge	\$396
CCNZ72	72" Credenza	\$808
CHTCG72	72" Glass Doors Hutch	\$1123
CBBFD	Box Box File Ped	\$587
CFFC	File File Ped	\$474
CCD	Center Drawer	\$169

**CT8 TOTAL: \$4,747**



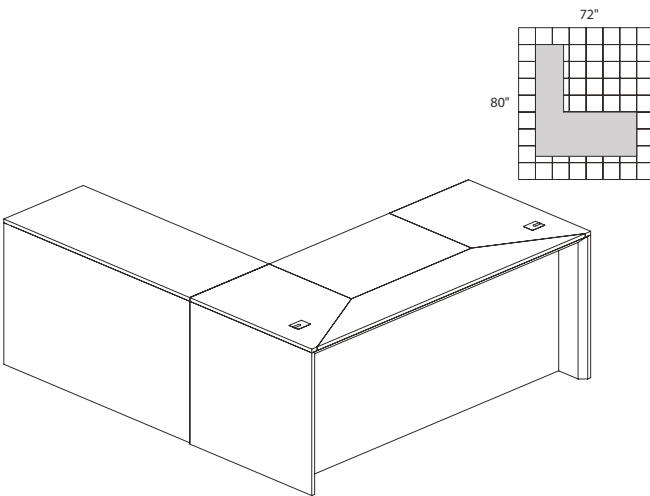
**CORSICA SERIES – SUITE #9**

Consists of:		
MODEL NO.	DESCRIPTION	LIST PRICE
CD72	72" Bow Front Desk	\$1,303
CRTNR	Right Hand Return	\$518
CCD	Center Drawer	\$169
CBBFD	Box Box File Ped	\$587
CFFC	File File Ped	\$474
<b>CT9</b>	<b>TOTAL:</b>	<b>\$3,051</b>



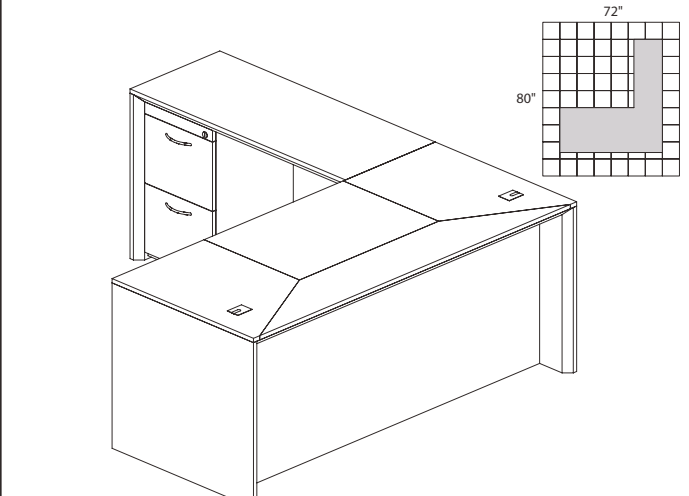
**CORSICA SERIES – SUITE #10**

Consists of:		
MODEL NO.	DESCRIPTION	LIST PRICE
CD72	72" Bow Front Desk	\$1,303
CRTNL	Left Hand Return	\$518
CCD	Center Drawer	\$169
CBBFD	Box Box File Ped	\$587
CFFC	File File Ped	\$474
<b>CT10</b>	<b>TOTAL:</b>	<b>\$3,051</b>



**CORSICA SERIES – SUITE #11**

Consists of:		
MODEL NO.	DESCRIPTION	LIST PRICE
CDS72	72" Straight Front Desk	\$1,190
CRTNR	Right Hand Return	\$518
CCD	Center Drawer	\$169
CBBFD	Box Box File Ped	\$587
CFFC	File File Ped	\$474
<b>CT11</b>	<b>TOTAL:</b>	<b>\$2,938</b>

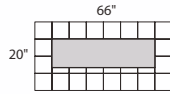
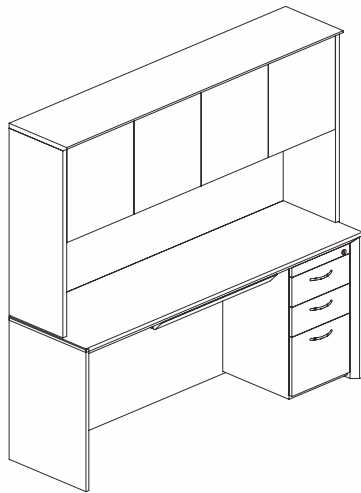


**CORSICA SERIES – SUITE #12**

Consists of:		
MODEL NO.	DESCRIPTION	LIST PRICE
CDS72	72" Straight Front Desk	\$1,190
CRTNL	Left Hand Return	\$518
CCD	Center Drawer	\$169
CBBFD	Box Box File Ped	\$587
CFFC	File File Ped	\$474
<b>CT12</b>	<b>TOTAL:</b>	<b>\$2,938</b>

**CORSICA SERIES TYPICALS**

Mayline Customer Service: 1-800-822-8037



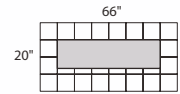
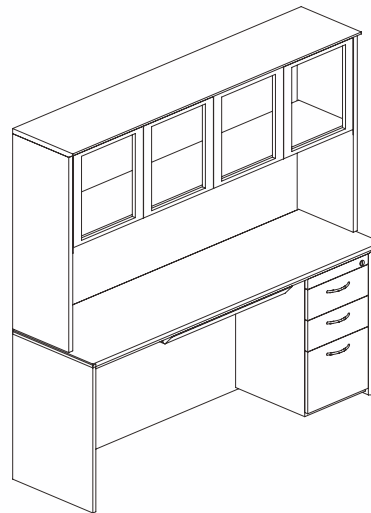
**CORSICA SERIES – SUITE #13**

Consists of:

MODEL NO.	DESCRIPTION	LIST PRICE
CCNZ66	66" Credenza	\$759
CHTC66	66" Wood Doors Hutch	\$953
CBBFC	Box Box File Ped	\$485
CCD	Center Drawer	\$169

**CT13**

**TOTAL: \$2,366**



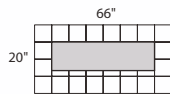
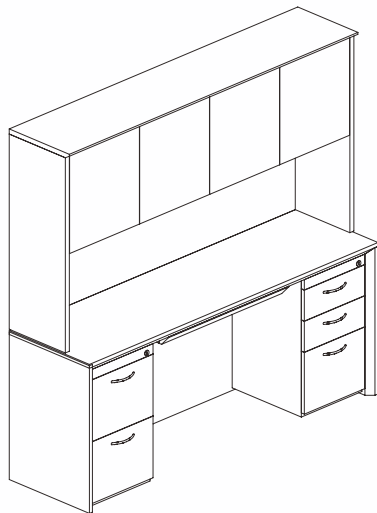
**CORSICA SERIES – SUITE #14**

Consists of:

MODEL NO.	DESCRIPTION	LIST PRICE
CCNZ66	66" Credenza	\$759
CHTCG66	66" Glass Doors Hutch	\$1,077
CBBFC	Box Box File Ped	\$485
CCD	Center Drawer	\$169

**CT14**

**TOTAL: \$2,490**



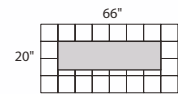
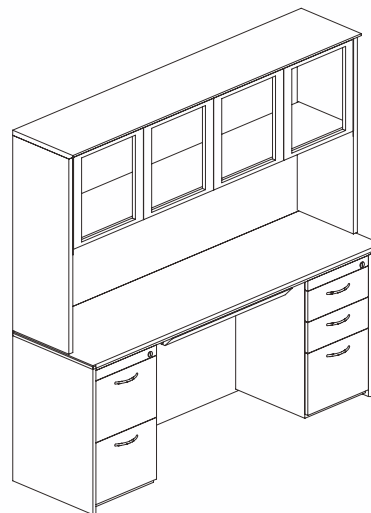
**CORSICA SERIES – SUITE #15**

Consists of:

MODEL NO.	DESCRIPTION	LIST PRICE
CCNZ72	72" Credenza	\$808
CHTC72	72" Wood Doors Hutch	\$1,006
CBBFC	Box Box File Ped	\$485
CFFC	File File Ped	\$474
CCD	Center Drawer	\$169

**CT15**

**TOTAL: \$2,942**



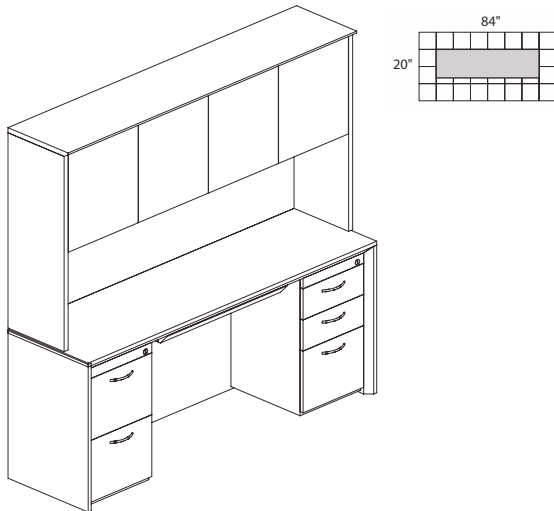
**CORSICA SERIES – SUITE #16**

Consists of:

MODEL NO.	DESCRIPTION	LIST PRICE
CCNZ72	72" Credenza	\$808
CHTCG72	72" Glass Doors Hutch	\$1,123
CBBFC	Box Box File Ped	\$485
CFFC	File File Ped	\$474
CCD	Center Drawer	\$169

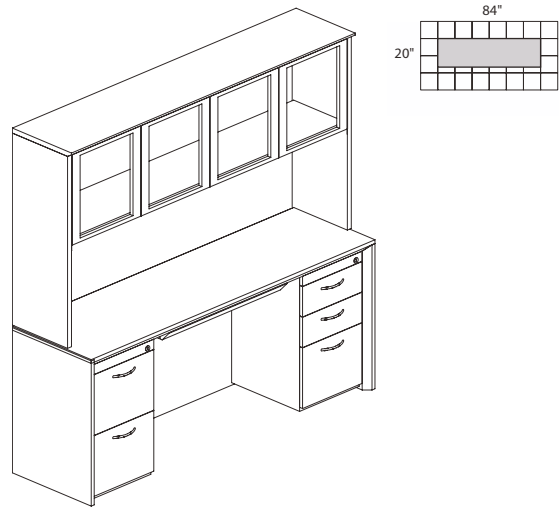
**CT16**

**TOTAL: \$3,059**



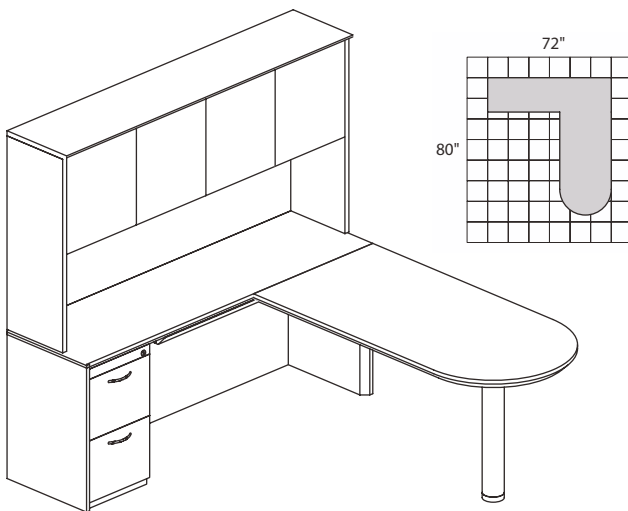
**CORSICA SERIES – SUITE #17**

Consists of:		
MODEL NO.	DESCRIPTION	LIST PRICE
CCNZ84	84" Credenza	\$920
CHTC84	84" Wood Doors Hutch	\$1,101
CBBFC	Box Box File Ped	\$485
CFFC	File File Ped	\$474
CCD	Center Drawer	\$169
<b>CT17</b>	<b>TOTAL:</b>	<b><u>\$3,149</u></b>



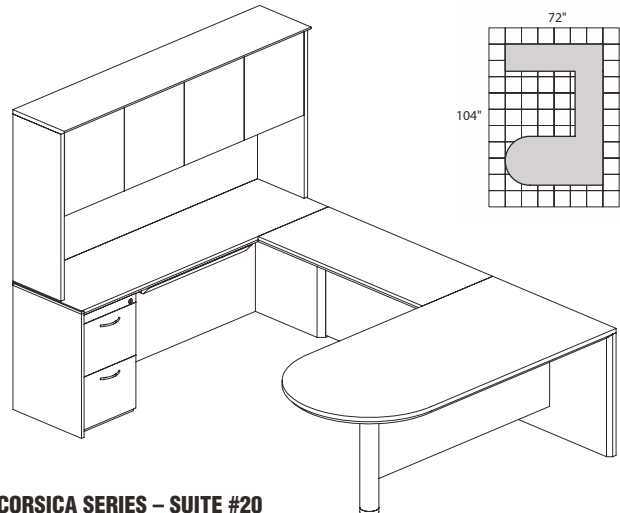
**CORSICA SERIES – SUITE #18**

Consists of:		
MODEL NO.	DESCRIPTION	LIST PRICE
CCNZ84	84" Credenza	\$920
CHTCG84	84" Glass Doors Hutch	\$1,207
CBBFC	Box Box File Ped	\$485
CFFC	File File Ped	\$474
CCD	Center Drawer	\$169
<b>CT18</b>	<b>TOTAL:</b>	<b><u>\$3,255</u></b>



**CORSICA SERIES – SUITE #19**

Consists of:		
MODEL NO.	DESCRIPTION	LIST PRICE
CPC	Peninsula Desk	\$815
CCNZ72	72" Credenza	\$808
CHTC72	72" Wood Door Hutch	\$1,006
CBBFC	Box Box File Ped	\$485
CCD	Center Drawer	\$169
<b>CT19</b>	<b>TOTAL:</b>	<b><u>\$3,283</u></b>

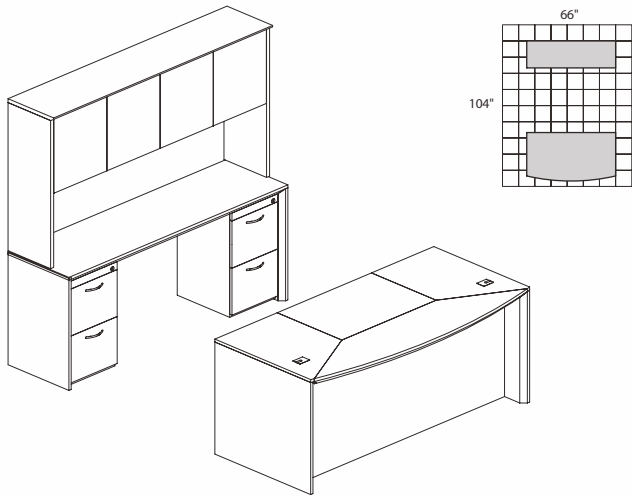


**CORSICA SERIES – SUITE #20**

Consists of:		
MODEL NO.	DESCRIPTION	LIST PRICE
CPR	Peninsula Desk	\$1,229
CBDG	Universal Bridge	\$396
CCNZ72	72" Credenza	\$808
CHTC72	72" Wood Door Hutch	\$1,006
CBBFC	Box Box File Ped	\$485
CCD	Center Drawer	\$169
<b>CT20</b>	<b>TOTAL:</b>	<b><u>\$4,093</u></b>

**CORSICA SERIES TYPICALS**

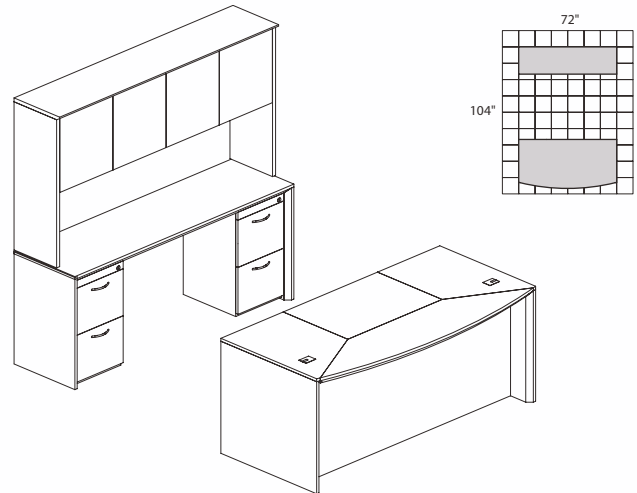
Mayline Customer Service: 1-800-822-8037



**CORSICA SERIES – SUITE #21**

Consists of: MODEL NO.	DESCRIPTION	LIST PRICE
CD66	66" Bow Front Desk	\$1,183
CCNZ66	66" Credenza	\$759
CHTC66	66" Wood Doors Hutch	\$953
CBBFD	Box Box File Ped	\$587
CFFC	File File Ped	\$474
CFFC	File File Ped	\$474
CCD	Center Drawer	\$169

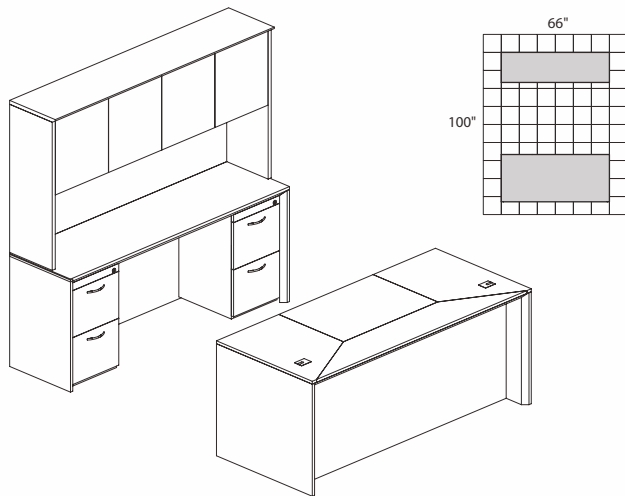
**CT21** **TOTAL: \$4,599**



**CORSICA SERIES – SUITE #22**

Consists of: MODEL NO.	DESCRIPTION	LIST PRICE
CD72	72" Bow Front Desk	\$1,303
CCNZ72	72" Credenza	\$808
CHTC72	72" Wood Doors Hutch	\$1,006
CBBFD	Box Box File Ped	\$587
CBBFD	Box Box File Ped	\$587
CFFC	File File Ped	\$474
CFFC	File File Ped	\$474
CCD	Center Drawer	\$169

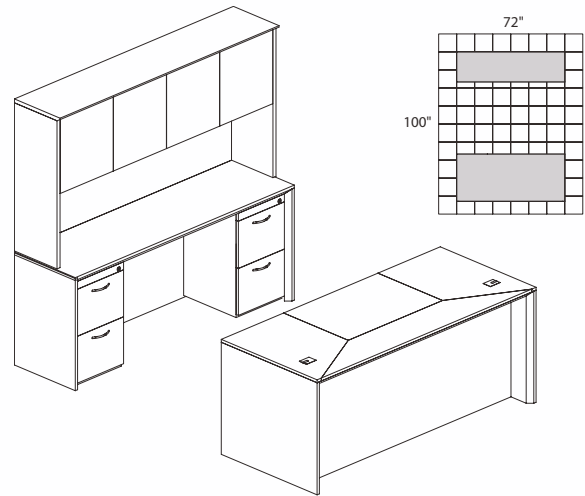
**CT22** **TOTAL: \$5,408**



**CORSICA SERIES – SUITE #23**

Consists of: MODEL NO.	DESCRIPTION	LIST PRICE
CDS66	66" Straight Front Desk	\$1,077
CCNZ66	66" Credenza	\$759
CHTC66	66" Wood Doors Hutch	\$953
CBBFD	Box Box File Ped	\$587
CFFC	File File Ped	\$474
CFFC	File File Ped	\$474
CCD	Center Drawer	\$169

**CT23** **TOTAL: \$4,493**

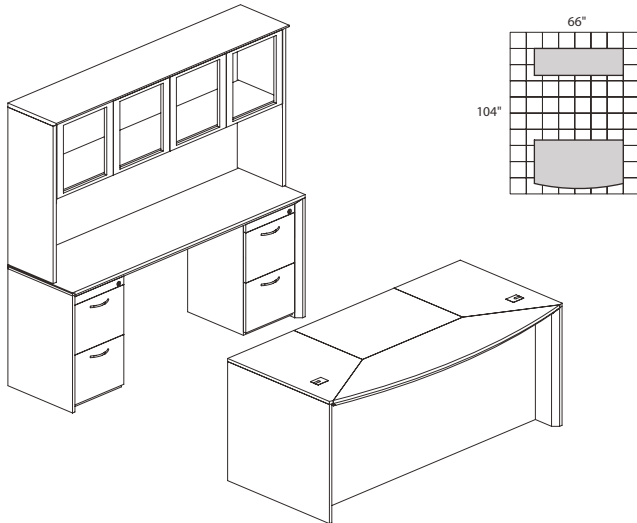


**CORSICA SERIES – SUITE #24**

Consists of: MODEL NO.	DESCRIPTION	LIST PRICE
CDS72	72" Straight Front Desk	\$1,190
CCNZ72	72" Credenza	\$808
CHTC72	72" Wood Doors Hutch	\$1,006
CBBFD	Box Box File Ped	\$587
CBBFD	Box Box File Ped	\$587
CFFC	File File Ped	\$474
CFFC	File File Ped	\$474
CCD	Center Drawer	\$169

**CT24** **TOTAL: \$5,295**

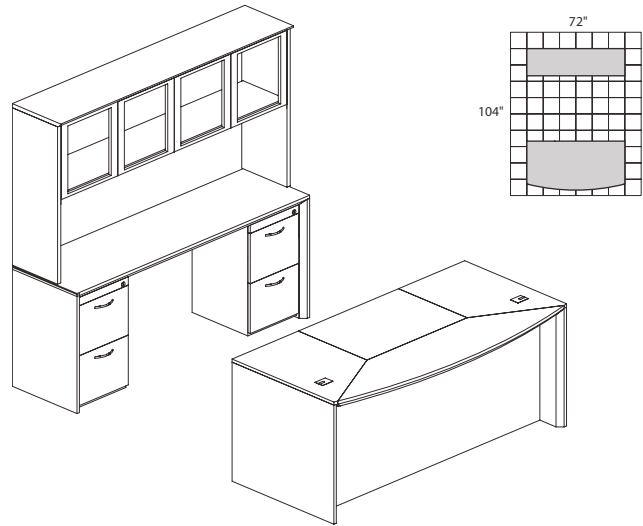




**CORSICA SERIES – SUITE #25**

Consists of:		
MODEL NO.	DESCRIPTION	LIST PRICE
CD66	66" Bow Front Desk	\$1,183
CCNZ66	66" Credenza	\$759
CHTCG66	66" Glass Doors Hutch	\$1,077
CBBFD	Box Box File Ped	\$587
CFFC	File File Ped	\$474
CFFC	File File Ped	\$474
CCD	Center Drawer	\$169

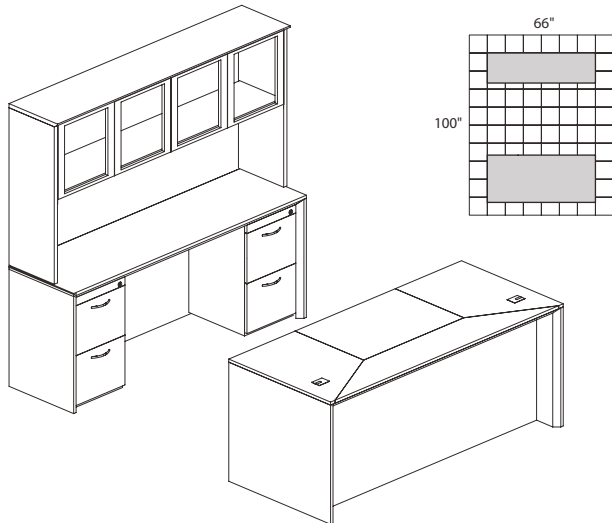
**CT25** **TOTAL: \$4,723**



**CORSICA SERIES – SUITE #26**

Consists of:		
MODEL NO.	DESCRIPTION	LIST PRICE
CD72	72" Bow Front Desk	\$1,303
CCNZ72	72" Credenza	\$808
CHTCG72	72" Glass Doors Hutch	\$1,123
CBBFD	Box Box File Ped	\$587
CBBFD	Box Box File Ped	\$587
CFFC	File File Ped	\$474
CFFC	File File Ped	\$474
CCD	Center Drawer	\$169

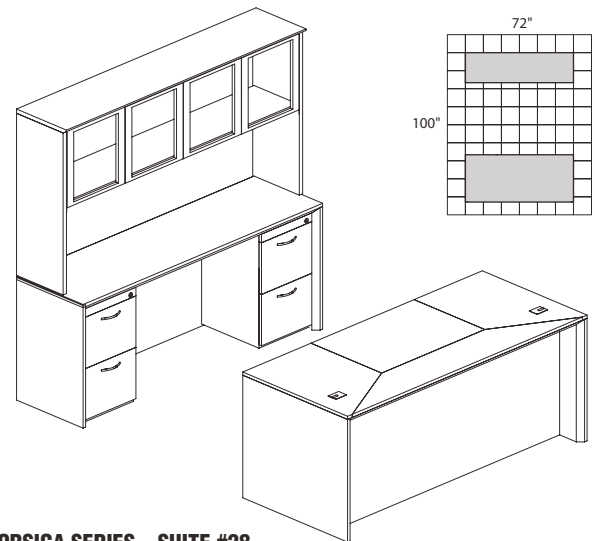
**CT26** **TOTAL: \$5,525**



**CORSICA SERIES – SUITE #27**

Consists of:		
MODEL NO.	DESCRIPTION	LIST PRICE
CDS66	66" Straight Front Desk	\$1,077
CCNZ66	66" Credenza	\$759
CHTCG66	66" Glass Doors Hutch	\$1,077
CBBFD	Box Box File Ped	\$587
CFFC	File File Ped	\$474
CFFC	File File Ped	\$474
CCD	Center Drawer	\$169

**CT27** **TOTAL: \$4,617**



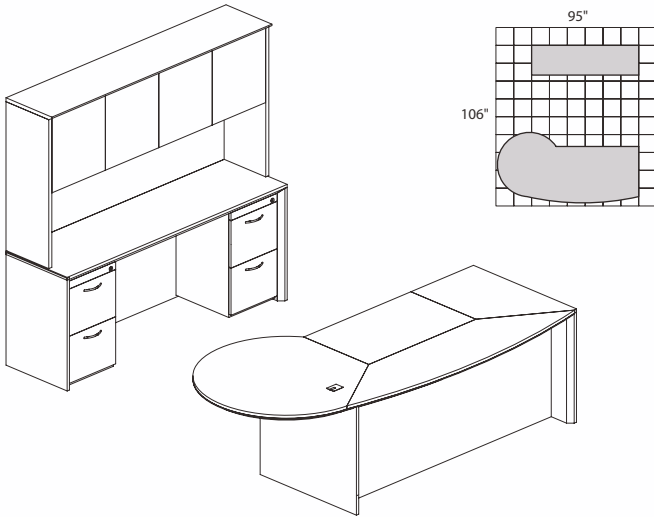
**CORSICA SERIES – SUITE #28**

Consists of:		
MODEL NO.	DESCRIPTION	LIST PRICE
CDS72	72" Straight Front Desk	\$1,190
CCNZ72	72" Credenza	\$808
CHTCG72	72" Glass Doors Hutch	\$1,123
CBBFD	Box Box File Ped	\$587
CBBFD	Box Box File Ped	\$587
CFFC	File File Ped	\$474
CFFC	File File Ped	\$474
CCD	Center Drawer	\$169

**CT28** **TOTAL: \$5,412**

**CORSICA SERIES TYPICALS**

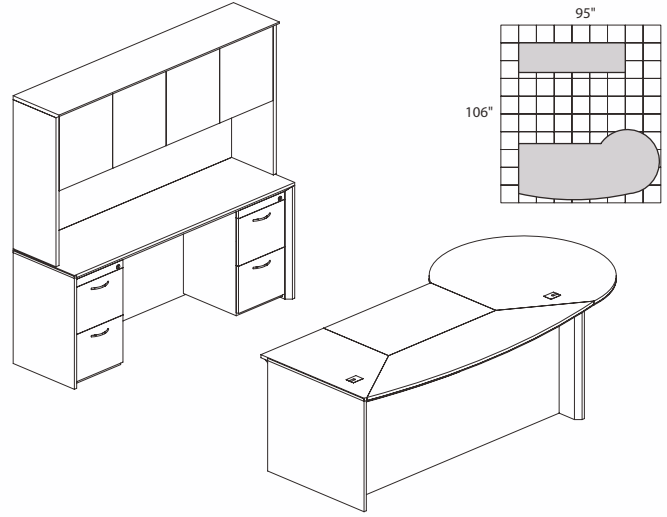
Mayline Customer Service: 1-800-822-8037



**CORSICA SERIES – SUITE #29**

Consists of:		
MODEL NO.	DESCRIPTION	LIST PRICE
CDPR	P-Shaped Desk Right	\$1,798
CCD	Center Drawer	\$169
CCNZ84	84" Credenza	\$920
CHTC84	84" Wood Doors Hutch	\$1,101
CBBFD	Box Box File Ped	\$587
CFFC	File File Ped	\$474
CFFC	File File Ped	\$474

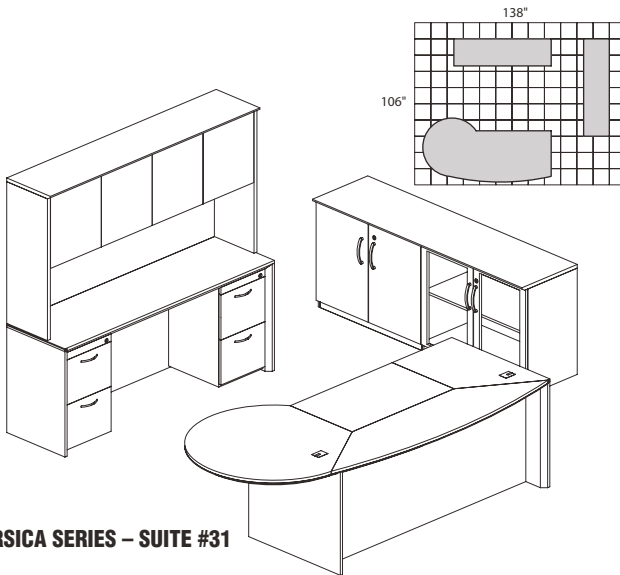
**CT29 TOTAL: \$5,523**



**CORSICA SERIES – SUITE #30**

Consists of:		
MODEL NO.	DESCRIPTION	LIST PRICE
CDPL	P-Shaped Desk Left	\$1,798
CCD	Center Drawer	\$169
CCNZ84	84" Credenza	\$920
CHTC84	84" Wood Doors Hutch	\$1,101
CBBFD	Box Box File Ped	\$587
CFFC	File File Ped	\$474
CFFC	File File Ped	\$474

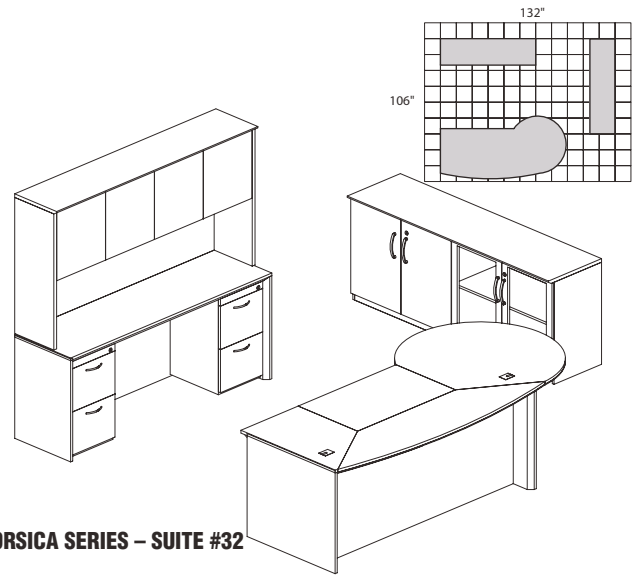
**CT30 TOTAL: \$5,523**



**CORSICA SERIES – SUITE #31**

Consists of:		
MODEL NO.	DESCRIPTION	LIST PRICE
CDPR	P-Shaped Desk Right	\$1,798
CCD	Center Drawer	\$169
CCNZ84	84" Credenza	\$920
CHTC84	84" Wood Doors Hutch	\$1,101
CBBFD	Box Box File Ped	\$587
CFFC	File File Ped	\$474
CFFC	File File Ped	\$474
VLC	Low Wall Cabinet	\$1,251

**CT31 TOTAL: \$6,774**



**CORSICA SERIES – SUITE #32**

Consists of:		
MODEL NO.	DESCRIPTION	LIST PRICE
CDPL	P-Shaped Desk Left	\$1,798
CCD	Center Drawer	\$169
CCNZ84	84" Credenza	\$920
CHTC84	84" Wood Doors Hutch	\$1,101
CBBFD	Box Box File Ped	\$587
CFFC	File File Ped	\$474
CFFC	File File Ped	\$474
VLC	Low Wall Cabinet	\$1,251

**CT32 TOTAL: \$6,774**

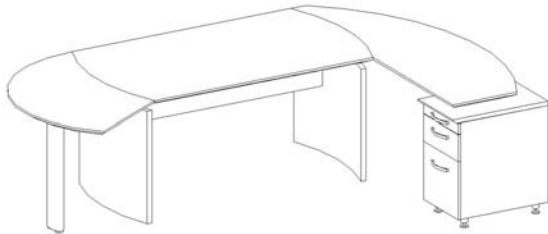
# NAPOLI SERIES

Mayline Customer Service: 1-800-822-8037

## NAPOLI DESK SYSTEM TYPICAL



Napoli Series



### NAPOLI DESK SYSTEM – ND72

Consists of:  
MODEL NO.

DESCRIPTION

LIST PRICE

<b>ND72</b>	Desk 72"W x 36"D	\$973
<b>NEXTL</b>	Curved Desk Extension	\$412
<b>NRTPR</b>	Curved Desk Return with Return Pencil-Box-File Pedestal	\$910

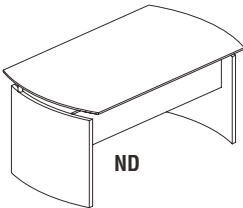
**ND72 TOTAL: \$2,295**

The Napoli veneer desk system features Italian-influenced, sophisticated styling for business or home office. Available in three rich finishes, REAL Office Furniture features AA-grade select North American hardwood veneers throughout.

**Surfaces:** Sierra Cherry finish on cherry veneer, Mahogany finish on walnut veneer and Golden Cherry finish on beech veneer.

- Desk, Return and Extension work surfaces are 1 1/8" thick with a distinctive beveled edge.
- All veneer surfaces are protected with two coats of high-tech catalyzed lacquer.
- All locks are keyed-alike and feature removable cores for installing "keyed-different" locks after-market.
- Silver detailing adds contemporary look to the Napoli series.

### DESK

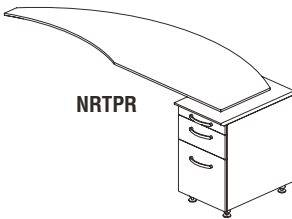


- Napoli desk surface seems to "float" on silver supports.
- Silver modesty panel.
- Curved end panels reflect curved ends of work surface.

Model No.	Dimensions	Wt.	List Price
<b>ND63</b>	63"W x 36"D x 29 1/2"H	155#	\$899
<b>ND72</b>	72"W x 36"D x 29 1/2"H	183#	\$973

### CURVED DESK RETURN WITH PENCIL-BOX-FILE PEDESTAL

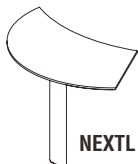
- Creates L-shaped work surface when attached to desk.
- Available for right or left side of desk.
- New 80"L model offers optional keyboard/mouse platform.
- Gang-lock features removable core.
- Supported by Return Pencil-Box-File Pedestal.
- Pedestal drawer interiors finished to match exterior veneer.
- Stands off floor on silver legs.



Model No.	Description	Dimensions	Wt.	List Price
<b>NRTPR</b>	63" Right return	63"W x 24"D x 29 1/2"H	123#	\$910
<b>NRTPL</b>	63" Left return	63"W x 24"D x 29 1/2"H	123#	\$910
<b>NRTPR80</b>	80" Right return	80"W x 24"D x 29 1/2"H	135#	\$989
<b>NRTPL80</b>	80" Left return	80"W x 24"D x 29 1/2"H	135#	\$989
<b>19500TA</b>	Retractable keyboard platform (Black only)	19 1/2"W x 11"D (+15° to -15° tilt, 360° swivel)	10#	\$282
<b>19502A</b>	Optional mouse platform for 19500A	8"W x 9"D (+15° to -15° tilt, 360° swivel)	3#	\$104

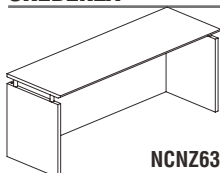
### CURVED DESK EXTENSION

- Creates conference end to Napoli desk.
- Leg includes grommets for cable management.
- Supported by silver leg.
- Available for right or left side of desk.



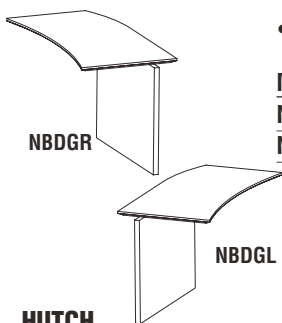
Model No.	Description	Dimensions	Wt.	List Price
<b>NEXTR</b>	Right extension	47"W x 28"D x 29 1/2"H	51#	\$412
<b>NEXTL</b>	Left extension	47"W x 28"D x 29 1/2"H	51#	\$412

### CREDENZA



Model No.	Dimensions	Wt.	List Price
<b>NCNZ63</b>	63"W x 24"D x 29 1/2"H	133#	\$780
<b>NCNZ72</b>	72"W x 24"D x 29 1/2"H	151#	\$840

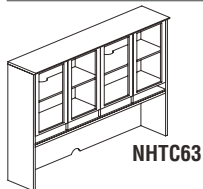
**BRIDGE**



- Not free standing. Requires connection to credenza and desk.
- Features modesty panel.

Model No.	Description	Dimensions	Wt.	List Price
<b>NBDGR</b>	Right Hand Bridge	48"W x 20"D x 29 1/2"H	68#	\$490
<b>NBDGL</b>	Left Hand Bridge	48"W x 20"D x 29 1/2"H	68#	\$490

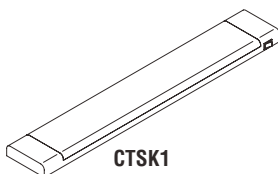
**HUTCH**



- Clear glass doors with silver frames.
- Two, 12"H storage levels.
- Four open compartment slots accept optional trays.

Model No.	Dimensions	Wt.	List Price
<b>NHTC63</b>	63"W x 15"D x 29 1/2"H	183#	\$1390
<b>NHTC72</b>	72"W x 15"D x 29 1/2"H	209#	\$1490

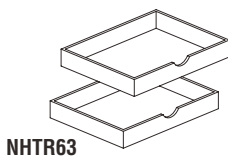
**HUTCH TASK LIGHT**



- Task lighting attached to underside of hutch.
- Includes diffuser lens.
- Uses two energy efficient 13W T8 bulb.

Model No.	Description	Dimensions	Wt.	List Price
<b>CTSK1</b>	Task Light	21 1/2"W x 3 1/4"D x 1 1/4"H	5#	\$99

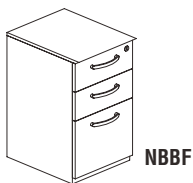
**HUTCH TRAYS**



- Sold in pairs.
- Leather inlay.
- Silver front panel.

Model No.	Description	Dimensions	Wt.	List Price
<b>NHTR63</b>	Hutch Trays - 63 (2)	16"W x 19"D x 5"H	7#	\$150
<b>NHTR72</b>	Hutch Trays - 72 (2)	17"W x 20"D x 7"H	8#	\$150

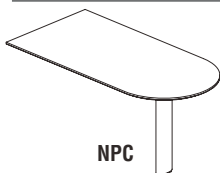
**PEDESTALS**



- Drawer interiors finished to match exterior veneer.
- Drawers operate smoothly using full-extension ball-bearing suspensions.
- Gang-lock features removable core.
- Finished top surface.

Model No.	Dimensions	Wt.	List Price
<b>NBBF Box-Box File</b>	19"W x 25"D x 29 1/2"H	80#	\$620
<b>NFF File-File</b>	19"W x 25"D x 29 1/2"H	78#	\$590

**PENINSULA DESK**

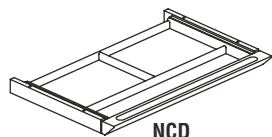


- Not freestanding. Must attach to Napoli credenza.
- Mounts left or right.

Model No.	Description	Dimensions	Wt.	List Price
<b>NPC</b>	Credenza supported desk	60"W x 30"D x 29 1/2"H	40#	\$670

**CENTER DESK DRAWER**

- Solid wood frame construction. Leather lined interior compartments.
- Drawer operates smoothly using full-extension ball-bearing suspension.
- Beveled front edge to match desk surface design



Model No.	Dimensions	Wt.	List Price
<b>NCD</b>	30"W x 18"D x 2"H Assembled	10#	\$169

**NAPOLI STORAGE SYSTEMS**

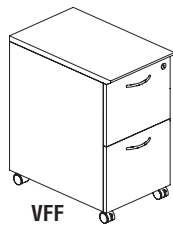
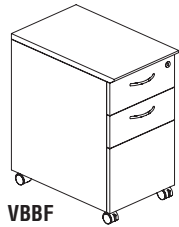
The Napoli veneer storage systems furniture features Italian-influenced, sophisticated styling with excellent durability. Available in three rich finishes, REAL Office Furniture features AA-grade select North American hardwood veneers throughout.

**Surfaces:** Sierra Cherry finish on cherry veneer, Mahogany finish on walnut veneer and Golden Cherry finish on beech veneer.

- All veneer surfaces are protected with two coats of high-tech catalyzed lacquer.
- All locks have removable cores enabling keyed-alike suites.
- All lateral files and storage cabinets feature finished backs.
- Lateral files and mobile pedestals feature gang lock mechanism.

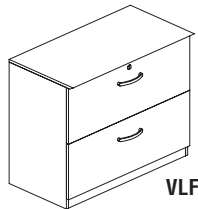
**MOBILE PEDESTALS**

- Drawer interiors finished to match exterior veneer.
- Drawers operate smoothly using full-extension ball-bearing suspensions.
- Gang-lock features removable core enabling keyed-alike suites.
- Choice of two styles featuring two file drawers or two box drawers and one file drawer.
- File drawers accommodate letter and legal sized hanging file folders.
- Includes counter-weight for stability when in use.
- 2" dual-hooded casters. (2 lock, 2 non-lock)



Model No.	Description	Dimensions	Wt.	List Price
VBBF	Box-Box-File	15 1/4"W x 24"D x 27 1/2"H Assembled	92#	\$604
VFF	File-File	15 1/4"W x 24"D x 27 1/2"H Assembled	80#	\$587

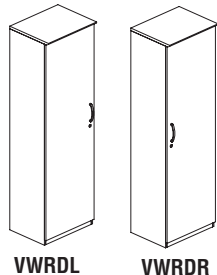
**LATERAL FILE**



- Drawer interiors finished to match exterior veneer.
- Gang-lock features removable core enabling keyed-alike suites.
- Drawers operate smoothly using full-extension ball-bearing suspensions.
- Accommodate letter and legal sized hanging file folders.
- Includes counter-weight for stability when in use.

Model No.	Description	Dimensions	Wt.	List Price
VLF	File-File	36"W x 19"D x 29 1/2"H Assembled	160#	\$1059
VLF4	4-Drawer File	36"W x 19"D x 56"H Assembled	320#	\$2092

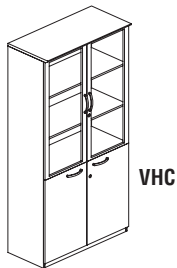
**WARDROBE CABINETS**



- Choice of units with hinges on left or right.
- Interior features sliding wardrobe hanging bar.
- Includes one fixed shelf and three adjustable shelves. (1 1/4" increments)

Model No.	Description	Dimensions	Wt.	List Price
VWRDL	Hinges on left	23 5/8"W x 19"D x 80"H	187#	\$1165
VWRDR	Hinges on right	23 5/8"W x 19"D x 80"H	187#	\$1165

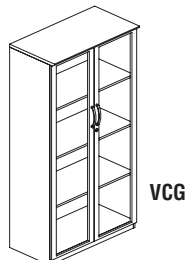
**HIGH WALL CABINET WITH DOORS**



- Features glass doors with silver frame above wood doors.
- Top and bottom doors lock separately. Keyed alike.
- Includes two adjustable shelves in top section and one adjustable shelf in lower section.
- Able to stand alone or be flanked by Wardrobe Cabinets.

Model No.	Dimensions	Wt.	List Price
VHC	40"W x 19"D x 80"H	284#	\$1852

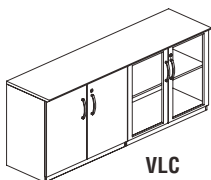
**68" WALL CABINET**



- Storage unit with choice of wood doors or glass doors.
- Includes one fixed shelf and two adjustable shelves.

Model No.	Description	Dimensions	Wt.	List Price
VCW	With wood doors	36"W x 19"D x 68"H	235#	\$1294
VCG	With glass doors	36"W x 19"D x 68"H	253#	\$1294

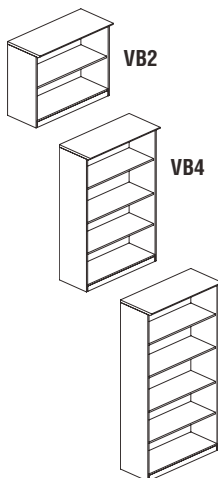
**LOW WALL CABINET WITH DOORS**



- Features a choice of wood/glass, all-wood, or all-glass door sets.
- Sets of doors lock separately. Keyed alike.
- Includes one adjustable shelf on each side.

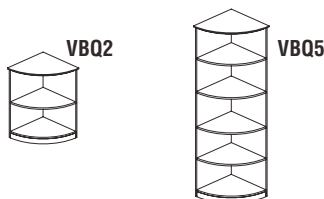
Model No.	Description	Dimensions	Wt.	List Price
<b>VLC</b>	Wood/Glass Door Combination	72"W x 19"D x 29 1/2"H	193#	\$1251
<b>VLCW</b>	All Wood Doors	72"W x 19"D x 29 1/2"H	193#	\$1251
<b>VLCG</b>	All Glass Doors	72"W x 19"D x 29 1/2"H	193#	\$1251

**BOOKCASES**



- Open shelves for convenient storage.
- Choice of two, four or five shelf units.
- Adjustable shelves.

Model No.	Description	Dimensions	Wt.	List Price
<b>VB2</b>	2 Shelf	36"W x 16"D x 29 1/2"H	64#	\$514
<b>VB4</b>	4 Shelf	36"W x 16"D x 54"H	116#	\$847
<b>VB5</b>	5 Shelf	36"W x 16"D x 68"H	140#	\$997
<b>VBQ2</b>	2 Shelf 1/4 - Round	19"W x 19"D x 29 1/2"H	25#	\$485
<b>VBQ5</b>	5 Shelf 1/4 - Round	19"W x 19"D x 68"H	65#	\$940



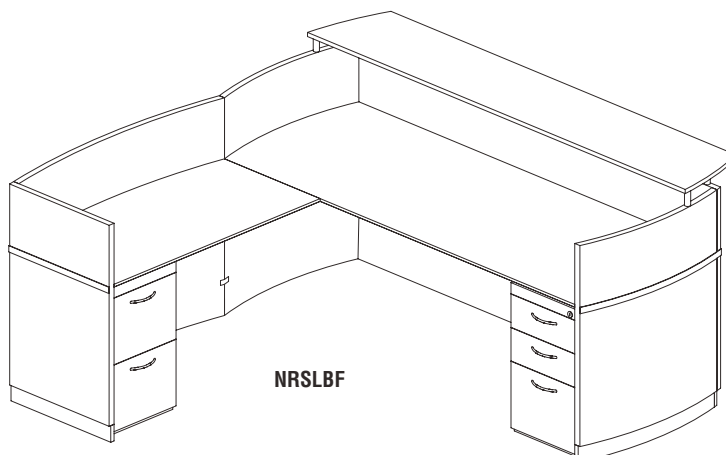
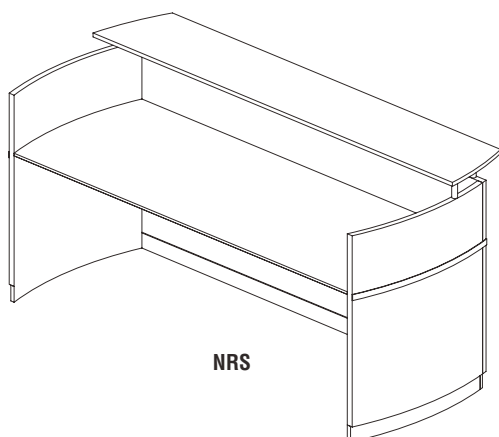
**NAPOLI RECEPTION FURNITURE**

First impressions are critical for any business. The Napoli Reception Furniture is available in three finishes, and features AA-grade select North American hardwood veneers throughout.

**Surfaces:** Sierra Cherry finish on cherry veneer, Mahogany finish on walnut veneer and Golden Cherry finish on beech veneer.

- All Napoli Reception Stations (except NRS) include a center drawer.
- 3/4" frosted, tempered glass.
- Non-handed return.
- Available in three colors.

Model No.	Description	Dimensions	Wt.	List Price
<b>NRS</b>	Reception Station (no peds)	86 1/2"W x 37 1/4"D x 42 3/4"H	398#	\$2094
<b>NRSBF</b>	Reception Station w/B/B/F. F/F	86 1/2"W x 37 1/4"D x 42 3/4"H	583#	\$3416
<b>NRSBB</b>	Reception Station w/2-B/B/F	86 1/2"W x 37 1/4"D x 42 3/4"H	499#	\$3437
<b>NRSLBF</b>	Reception Station, return, B/B/F, F/F	86 1/2"W x 37 1/4"D x 42 3/4"H	980#	\$4437
<b>NRSLBB</b>	Reception Station, return, 2-B/B/F	86 1/2"W x 37 1/4"D x 42 3/4"H	980#	\$4448

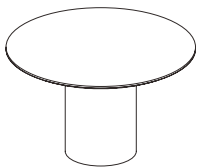


**NAPOLI CONFERENCE TABLES**

The Napoli veneer conference room furniture features elegant lines with excellent durability. Available in three rich finishes, REAL Office Furniture features AA-grade select North American hardwood veneers throughout.

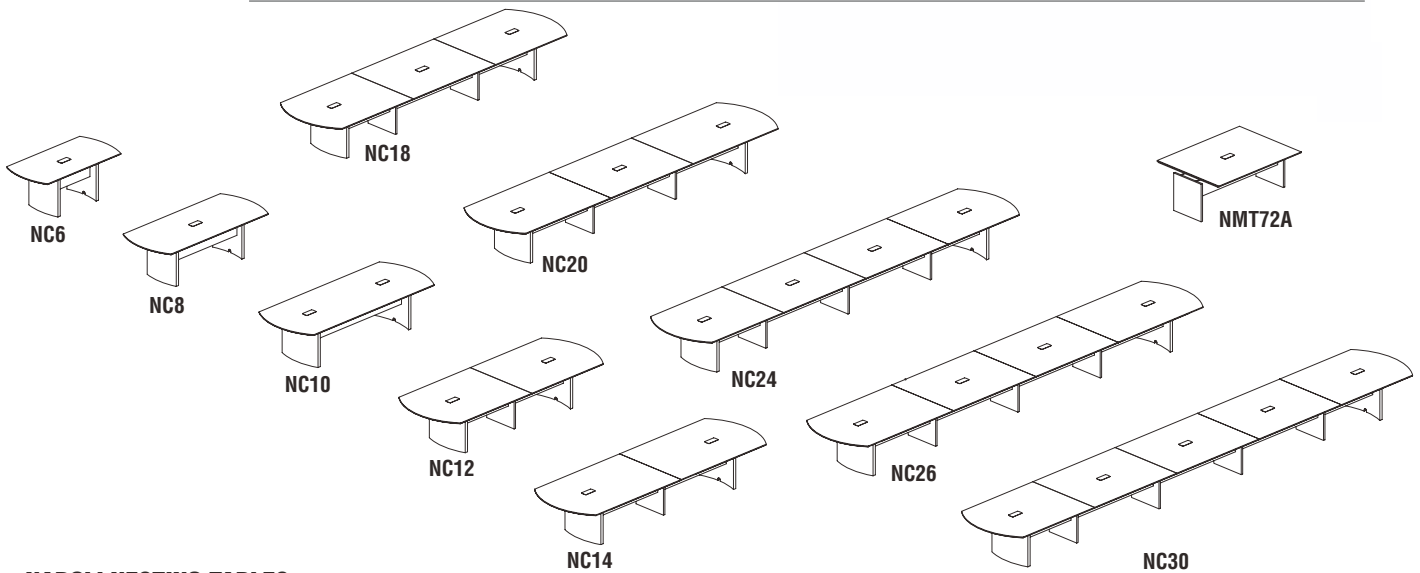
**Surfaces:** Sierra Cherry finish on cherry veneer, Mahogany finish on walnut veneer and Golden Cherry finish on beech veneer.

- All veneer surfaces are protected with two coats of high-tech catalyzed lacquer.



NCR48

Model No.	Description	Dimensions	Wt.	List Price
NC6	6' Conference Table	72"W x 36"D x 29 1/2"H	197#	\$1199
NC8	8' Conference Table	96"W x 36"D x 29 1/2"H	236#	\$1490
NC10	10' Conference Table	120"W x 36"D x 29 1/2"H	306#	\$2100
NC12	12' Conference Table	144"W x 54"D x 29 1/2"H	358#	\$3440
NC14	14' Conference Table	168"W x 54"D x 29 1/2"H	399#	\$3600
NC18	18' Conference Table	216"W x 54"D x 29 1/2"H	545#	\$5140
NC20	20' Conference Table	240"W x 54"D x 29 1/2"H	585#	\$5300
NC24	24' Conference Table	288"W x 54"D x 29 1/2"H	732#	\$6840
NC26	26' Conference Table	312"W x 54"D x 29 1/2"H	772#	\$7000
NC30	30' Conference Table	360"W x 54"D x 29 1/2"H	919#	\$8540
NMT72A	6' Conference Table Adder Section	72"W x 54"D x 29 1/2"H	187#	\$1700
NCR48	Round Conference Table	48" Round x 29 1/2"H	135#	\$990



**NAPOLI NESTING TABLES**



NCT1

- Table tops are 1 1/2" thick with distinctive beveled edge.
- Work surfaces are protected with a two-coat high-tech catalyzed lacquer finish.
- Feature stylistic silver metal legs.
- Two models available – convex and concave – which nest together in any number to form larger conferencing areas.



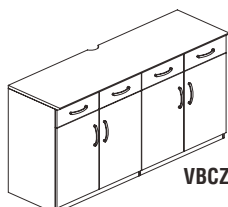
NCT2



Model No.	Dimensions	Wt.	List Price
NCT1	47"W x 47"D x 29 1/2"H	110#	\$742
NCT2	47"W x 47"D x 29 1/2"H	110#	\$742

**BUFFET**

- Features two cabinet compartments (one adjustable shelf in each) and four drawers.
- Designed for audio/visual support including cable pass throughs and inset back panel for wall plug clearance.
- All drawer and cabinet interiors are full-finished veneer.



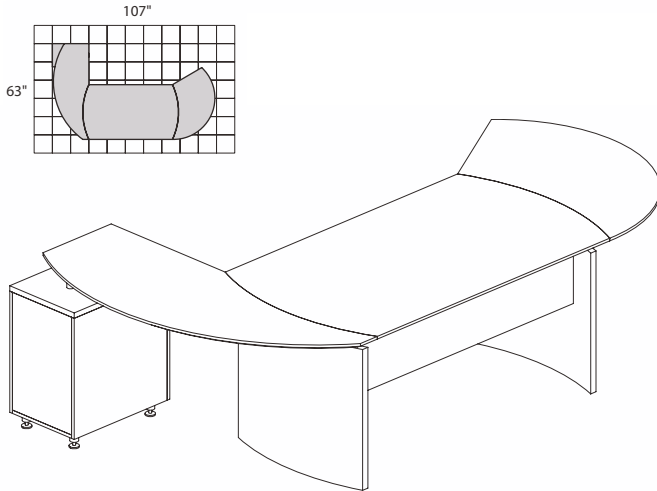
VBCZ

Model No.	Dimensions	Wt.	List Price
VBCZ	72"W x 22"D x 36"H	297#	\$2002



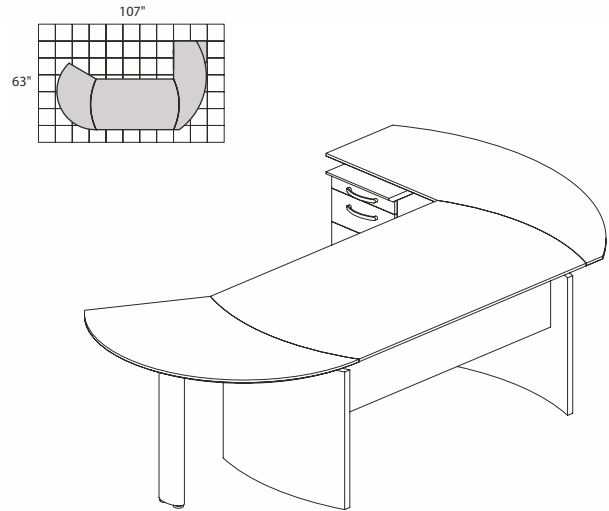
# NAPOLI SERIES TYPICALS

Mayline Customer Service: 1-800-822-8037



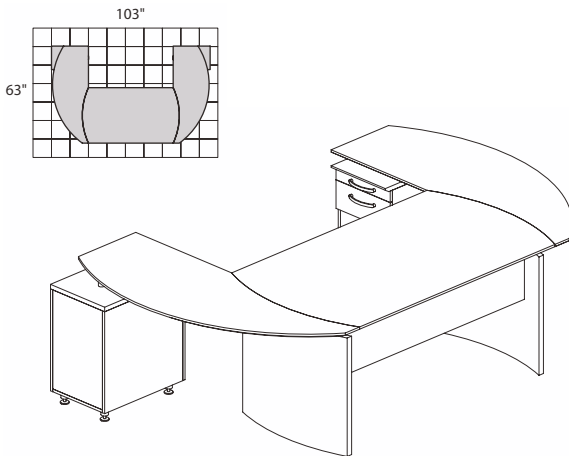
### NAPOLI SERIES – SUITE #1

Consists of:		
MODEL NO.	DESCRIPTION	LIST PRICE
ND63	63"W Desk	\$899
NEXTL	Curved Desk Ext.	\$412
NRTPR	Curved Desk Return w/Pencil-Box-File	\$910
NCD	Center Drawer	\$169
<b>NT1</b>	<b>TOTAL:</b>	<b><u>\$2,390</u></b>



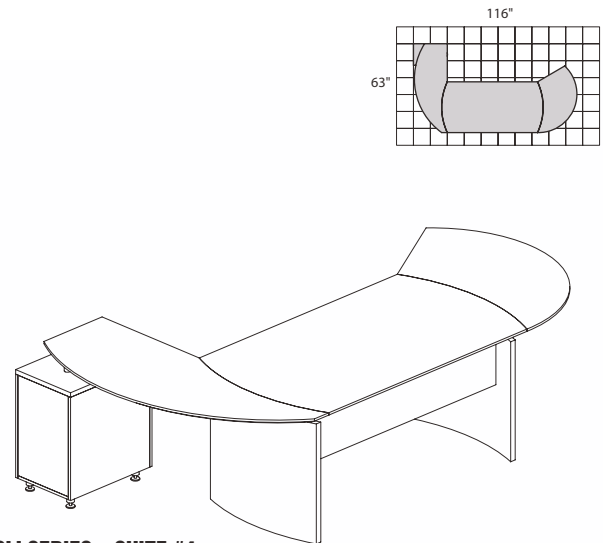
### NAPOLI SERIES – SUITE #2

Consists of:		
MODEL NO.	DESCRIPTION	LIST PRICE
ND63	63"W Desk	\$899
NEXTR	Curved Desk Ext.	\$412
NRTPL	Curved Desk Return w/Pencil-Box-File	\$910
NCD	Center Drawer	\$169
<b>NT2</b>	<b>TOTAL:</b>	<b><u>\$2,390</u></b>



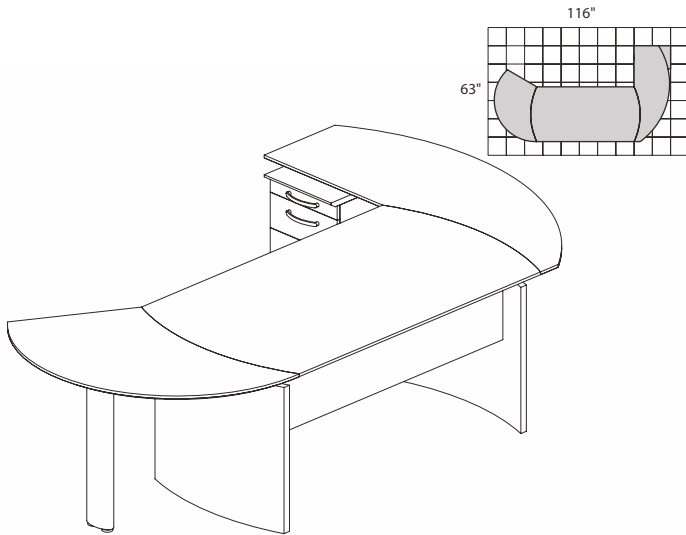
### NAPOLI SERIES – SUITE #3

Consists of:		
MODEL NO.	DESCRIPTION	LIST PRICE
ND63	63"W Desk	\$899
NRTPR	Curved Desk Return w/Pencil-Box-File	\$910
NRTPL	Curved Desk Return w/Pencil-Box-File	\$910
NCD	Center Drawer	\$169
<b>NT3</b>	<b>TOTAL:</b>	<b><u>\$2,888</u></b>



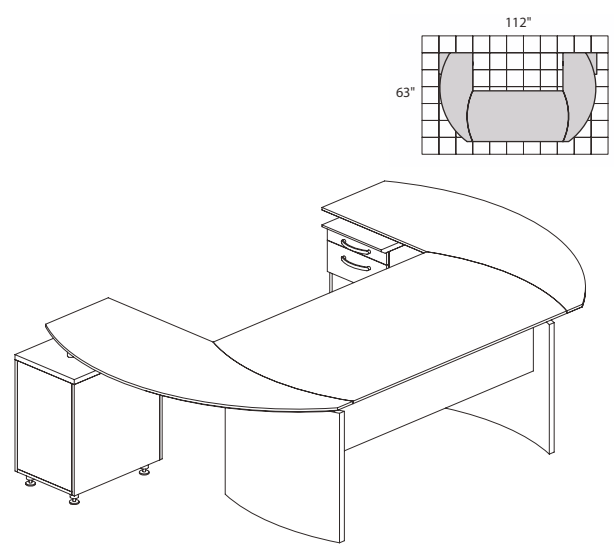
### NAPOLI SERIES – SUITE #4

Consists of:		
MODEL NO.	DESCRIPTION	LIST PRICE
ND72	72"W Desk	\$973
NEXTL	Curved Desk Ext.	\$412
NRTPR	Curved Desk Return w/Pencil-Box-File	\$910
NCD	Center Drawer	\$169
<b>NT4</b>	<b>TOTAL:</b>	<b><u>\$2,464</u></b>



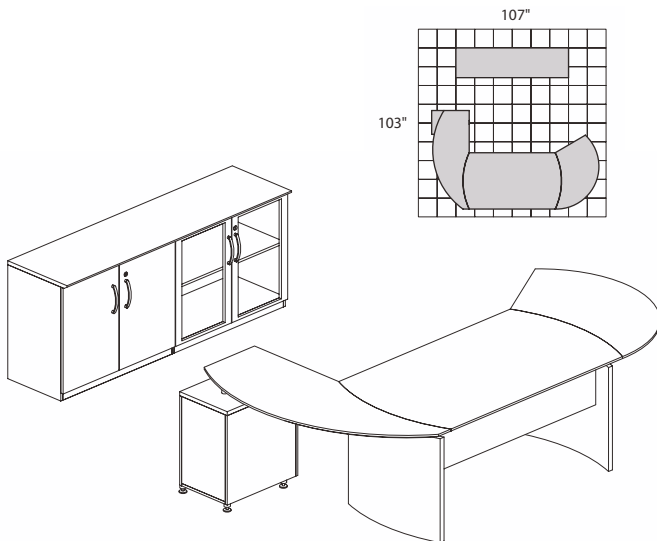
**NAPOLI SERIES – SUITE #5**

Consists of:		
MODEL NO.	DESCRIPTION	LIST PRICE
ND72	72"W Desk	\$973
NEXTR	Curved Desk Ext.	\$412
NRTPL	Curved Desk Return w/Pencil-Box-File	\$910
NCD	Center Drawer	\$169
<b>NT5</b>	<b>TOTAL:</b>	<b><u>\$2,464</u></b>



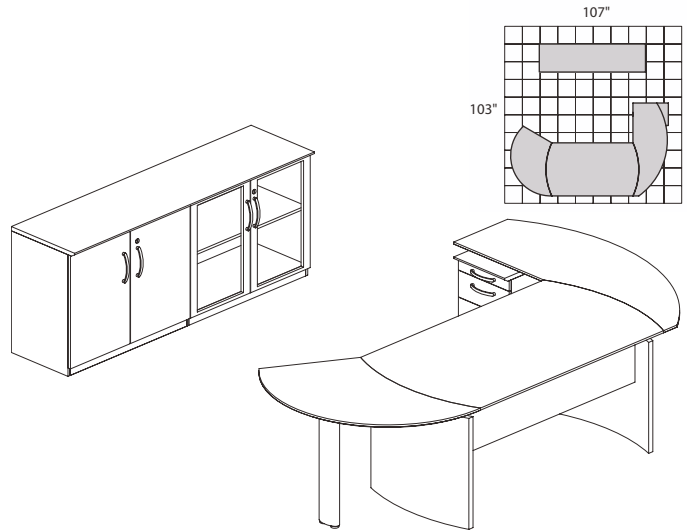
**NAPOLI SERIES – SUITE #6**

Consists of:		
MODEL NO.	DESCRIPTION	LIST PRICE
ND72	72"W Desk	\$973
NRTPR	Curved Desk Return w/Pencil-Box-File	\$910
NRTPL	Curved Desk Return w/Pencil-Box-File	\$910
NCD	Center Drawer	\$169
<b>NT6</b>	<b>TOTAL:</b>	<b><u>\$2,962</u></b>



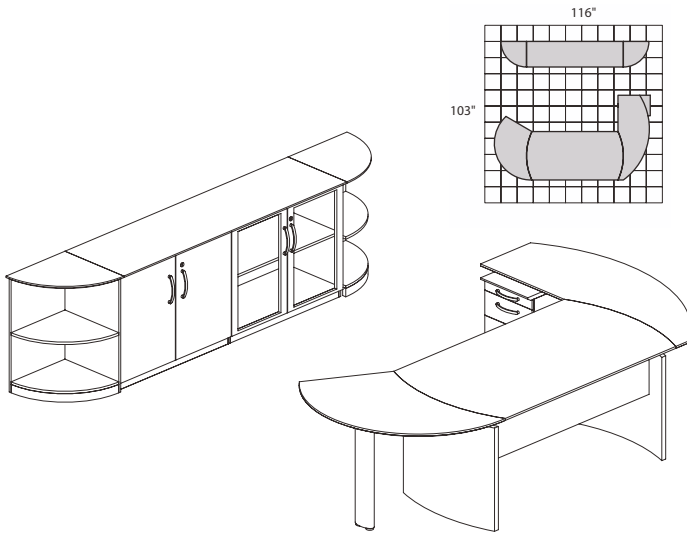
**NAPOLI SERIES – SUITE #7**

Consists of:		
MODEL NO.	DESCRIPTION	LIST PRICE
ND63	63"W Desk	\$899
NEXTL	Curved Desk Ext.	\$412
NRTPR	Curved Desk Return w/Pencil-Box-File	\$910
NCD	Center Drawer	\$169
VLC	Low Wall Cabinet	\$1,251
<b>NT7</b>	<b>TOTAL:</b>	<b><u>\$3,641</u></b>



**NAPOLI SERIES – SUITE #8**

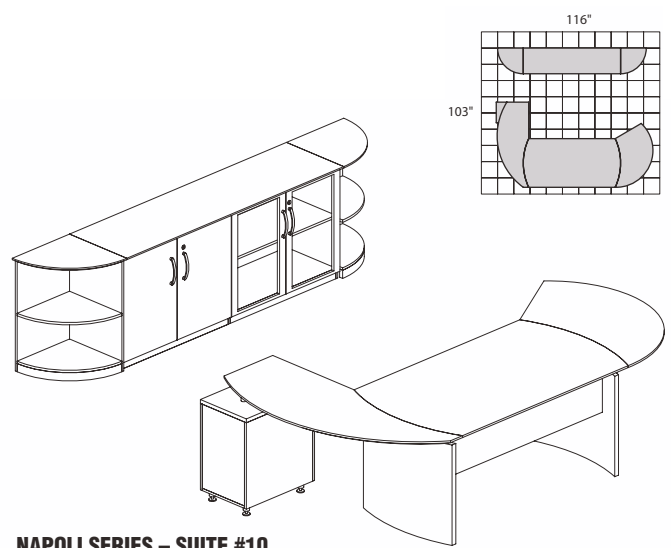
Consists of:		
MODEL NO.	DESCRIPTION	LIST PRICE
ND63	63"W Desk	\$899
NEXTR	Curved Desk Ext.	\$412
NRTPL	Curved Desk Return w/Pencil-Box-File	\$910
NCD	Center Drawer	\$169
VLC	Low Wall Cabinet	\$1,251
<b>NT8</b>	<b>TOTAL:</b>	<b><u>\$3,641</u></b>



**NAPOLI SERIES – SUITE #9**

Consists of:		
MODEL NO.	DESCRIPTION	LIST PRICE
ND72	72"W Desk	\$973
NEXTR	Curved Desk Ext.	\$412
NRTPL	Curved Desk Return w/Pencil-Box-File	\$910
NCD	Center Drawer	\$169
VLC	Low Wall Cabinet	\$1,251
VBQ2	2 Shelf 1/4-Round	\$485
VBQ2	2 Shelf 1/4-Round	\$485

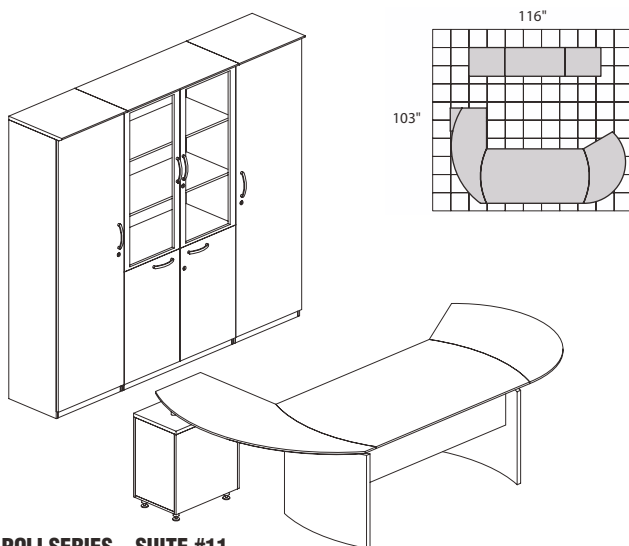
**NT9 TOTAL: \$4,685**



**NAPOLI SERIES – SUITE #10**

Consists of:		
MODEL NO.	DESCRIPTION	LIST PRICE
ND72	72"W Desk	\$973
NEXTL	Curved Desk Ext.	\$412
NRTPR	Curved Desk Return w/Pencil-Box-File	\$910
NCD	Center Drawer	\$169
VLC	Low Wall Cabinet	\$1,251
VBQ2	2 Shelf 1/4-Round	\$485
VBQ2	2 Shelf 1/4-Round	\$485

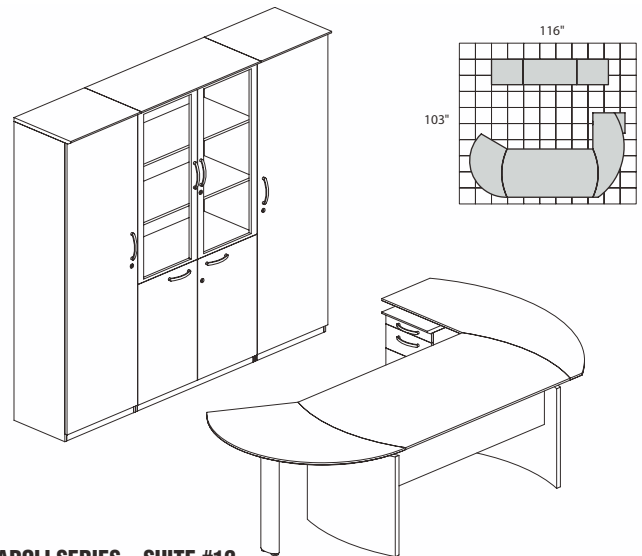
**NT10 TOTAL: \$4,685**



**NAPOLI SERIES – SUITE #11**

Consists of:		
MODEL NO.	DESCRIPTION	LIST PRICE
ND72	72"W Desk	\$973
NEXTL	Curved Desk Ext.	\$412
NRTPR	Curved Desk Return w/Pencil-Box-File	\$910
NCD	Center Drawer	\$169
VWRDL	Wardrobe Cabinet	\$1,165
VWRDR	Wardrobe Cabinet	\$1,165
VHC	High Wall Cabinet	\$1,852

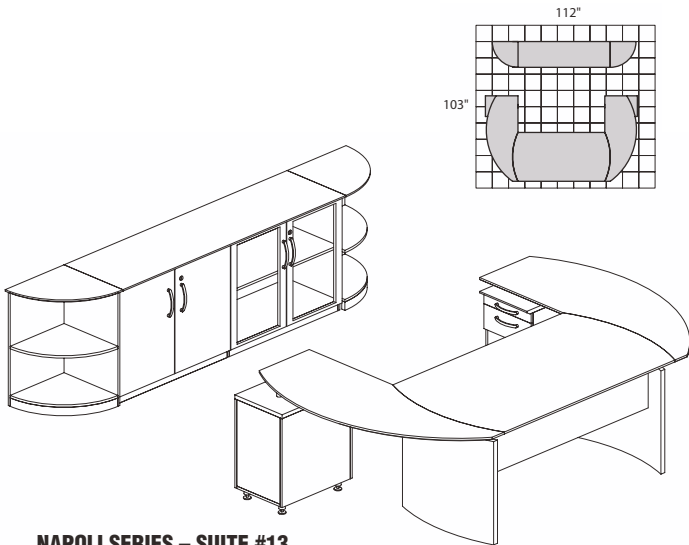
**NT11 TOTAL: \$6,646**



**NAPOLI SERIES – SUITE #12**

Consists of:		
MODEL NO.	DESCRIPTION	LIST PRICE
ND72	72"W Desk	\$973
NEXTR	Curved Desk Ext.	\$412
NRTPL	Curved Desk Return w/Pencil-Box-File	\$910
NCD	Center Drawer	\$169
VWRDL	Wardrobe Cabinet	\$1,165
VWRDR	Wardrobe Cabinet	\$1,165
VHC	High Wall Cabinet	\$1,852

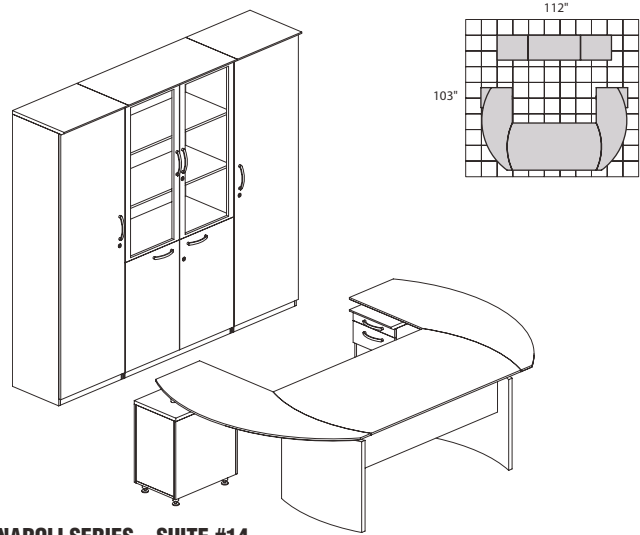
**NT12 TOTAL: \$6,646**



**NAPOLI SERIES – SUITE #13**

Consists of:		
MODEL NO.	DESCRIPTION	LIST PRICE
ND72	72"W Desk	\$973
NRTPR	Curved Desk Return w/Pencil-Box-File	\$910
NRTPL	Curved Desk Return w/Pencil-Box-File	\$910
NCD	Center Drawer	\$169
VLC	Low Wall Cabinet	\$1,251
VBQ2	2 Shelf 1/4-Round	\$485
VBQ2	2 Shelf 1/4-Round	\$485

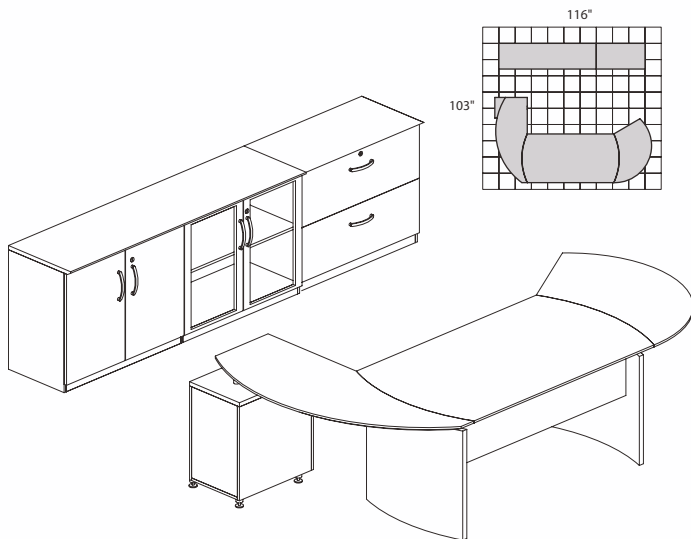
**NT13** **TOTAL: \$5,183**



**NAPOLI SERIES – SUITE #14**

Consists of:		
MODEL NO.	DESCRIPTION	LIST PRICE
ND72	72"W Desk	\$973
NRTPR	Curved Desk Return w/Pencil-Box-File	\$910
NRTPL	Curved Desk Return w/Pencil-Box-File	\$910
NCD	Center Drawer	\$169
VWRDL	Wardrobe Cabinet	\$1,165
VWRDR	Wardrobe Cabinet	\$1,165
VHC	High Wall Cabinet	\$1,852

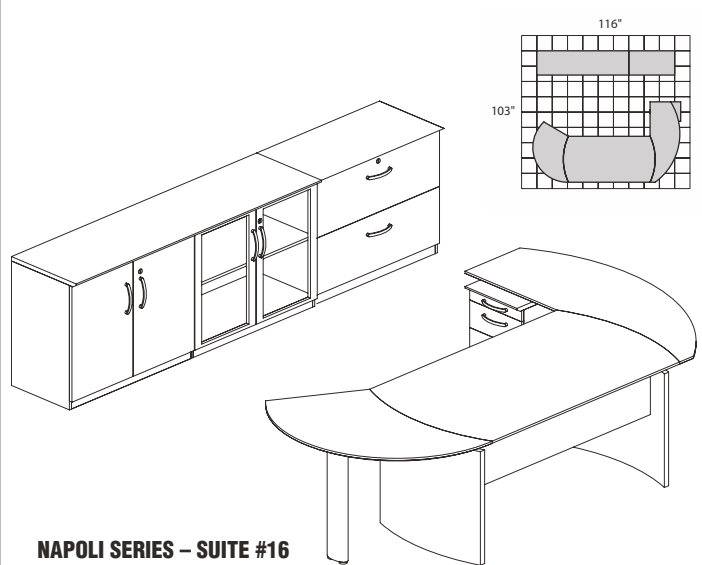
**NT14** **TOTAL: \$7,144**



**NAPOLI SERIES – SUITE #15**

Consists of:		
MODEL NO.	DESCRIPTION	LIST PRICE
ND72	72"W Desk	\$973
NEXTL	Curved Desk Ext.	\$412
NRTPR	Curved Desk Return w/Pencil-Box-File	\$910
NCD	Center Drawer	\$169
VLC	Low Wall Cabinet	\$1,251
VLF	Lateral File	\$1,059

**NT15** **TOTAL: \$4,774**



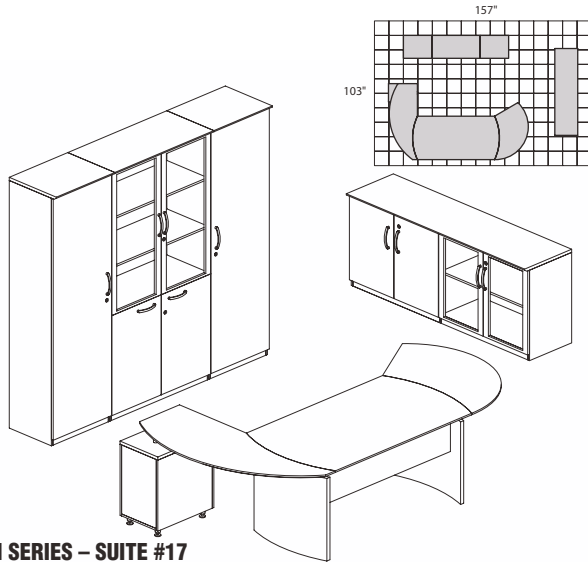
**NAPOLI SERIES – SUITE #16**

Consists of:		
MODEL NO.	DESCRIPTION	LIST PRICE
ND72	72"W Desk	\$973
NEXTR	Curved Desk Ext.	\$412
NRTPL	Curved Desk Return w/Pencil-Box-File	\$910
NCD	Center Drawer	\$169
VLC	Low Wall Cabinet	\$1,251
VLF	Lateral File	\$1,059

**NT16** **TOTAL: \$4,774**

**NAPOLI SERIES TYPICALS**

Mayline Customer Service: 1-800-822-8037

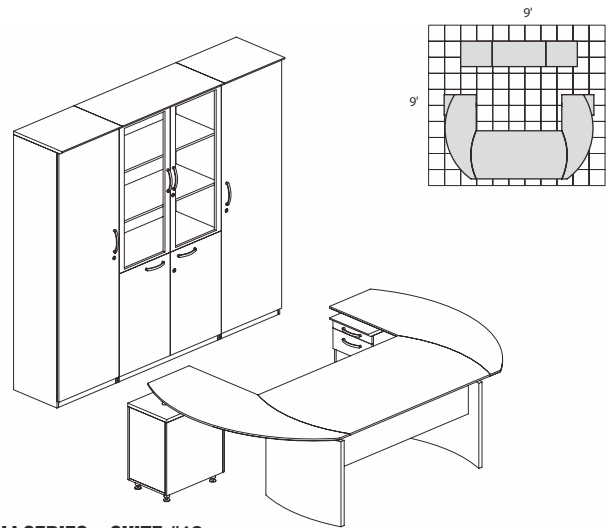


**NAPOLI SERIES – SUITE #17**

Consists of:		
MODEL NO.	DESCRIPTION	LIST PRICE
ND72	72"W Desk	\$973
NEXTL	Curved Desk Ext.	\$412
NRTPR	Curved Desk Return w/Pencil-Box-File	\$910
NCD	Center Drawer	\$169
VLC	Low Wall Cabinet	\$1,251
VWRDL	Wardrobe Cabinet	\$1,165
VWRDR	Wardrobe Cabinet	\$1,165
VHC	High Wall Cabinet	\$1,852

**NT17**

**TOTAL: \$7,897**

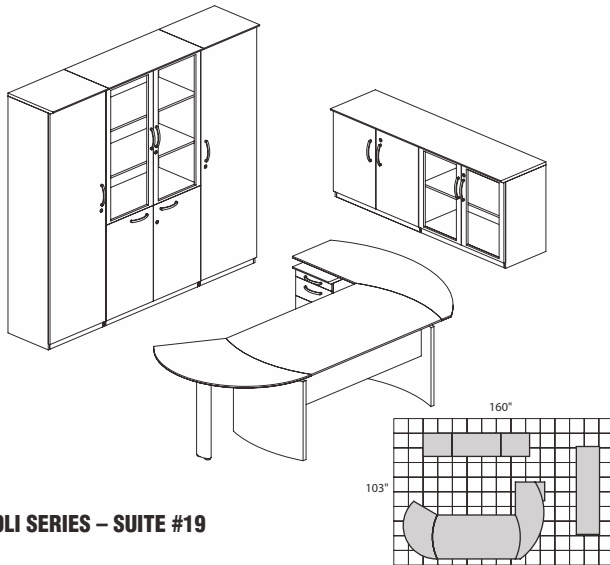


**NAPOLI SERIES – SUITE #18**

Consists of:		
MODEL NO.	DESCRIPTION	LIST PRICE
ND72	72"W Desk	\$973
NRTPR	Curved Desk Return w/Pencil-Box-File	\$910
NRTPL	Curved Desk Return w/Pencil-Box-File	\$910
NCD	Center Drawer	\$169
VWRDL	Wardrobe Cabinet	\$1,165
VWRDR	Wardrobe Cabinet	\$1,165
VHC	High Wall Cabinet	\$1,852

**NT18**

**TOTAL: \$7,144**

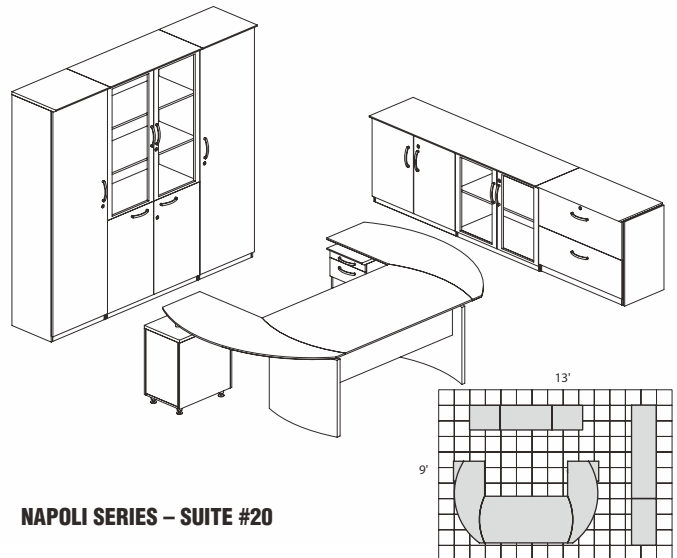


**NAPOLI SERIES – SUITE #19**

Consists of:		
MODEL NO.	DESCRIPTION	LIST PRICE
ND72	72"W Desk	\$973
NEXTR	Curved Desk Ext.	\$412
NRTPL	Curved Desk Return w/Pencil-Box-File	\$910
NCD	Center Drawer	\$169
VLC	Low Wall Cabinet	\$1,251
VWRDL	Wardrobe Cabinet	\$1,165
VWRDR	Wardrobe Cabinet	\$1,165
VHC	High Wall Cabinet	\$1,852

**NT19**

**TOTAL: \$7,897**

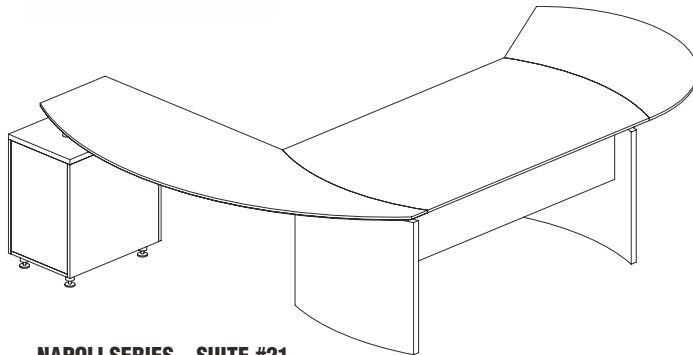
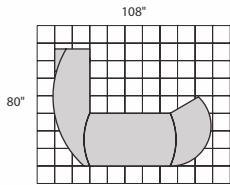


**NAPOLI SERIES – SUITE #20**

Consists of:		
MODEL NO.	DESCRIPTION	LIST PRICE
ND72	72"W Desk	\$973
NRTPR	Curved Desk Return w/Pencil-Box-File	\$910
NRTPL	Curved Desk Return w/Pencil-Box-File	\$910
NCD	Center Drawer	\$169
VWRDL	Wardrobe Cabinet	\$1,165
VWRDR	Wardrobe Cabinet	\$1,165
VHC	High Wall Cabinet	\$1,852
VLC	Low Wall Cabinet	\$1,251
VLF	Lateral File	\$1,059

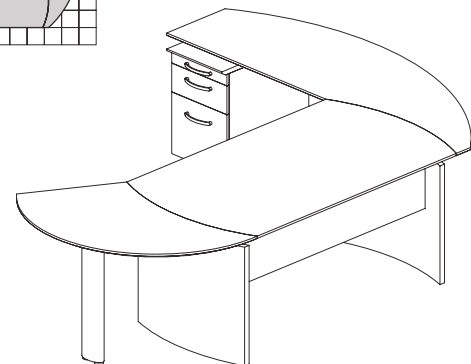
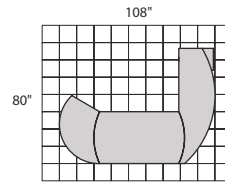
**NT20**

**TOTAL: \$9,454**



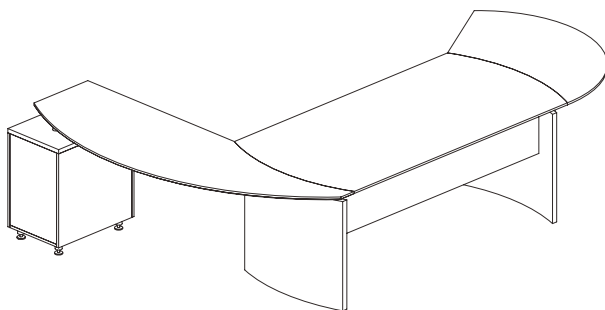
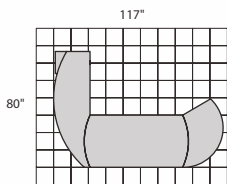
**NAPOLI SERIES – SUITE #21**

Consists of:		
MODEL NO.	DESCRIPTION	LIST PRICE
ND63	63"W Desk	\$899
NEXTL	Curved Desk Ext.	\$412
NRTPR80	80" Curved Desk Return w/Pencil-Box-File	\$989
NCD	Center Drawer	\$169
<b>NT21</b>	<b>TOTAL:</b>	<b><u>\$2,469</u></b>



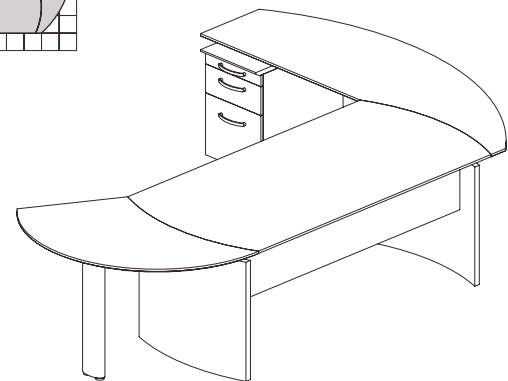
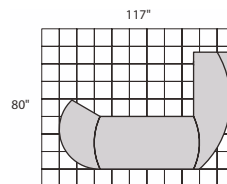
**NAPOLI SERIES – SUITE #22**

Consists of:		
MODEL NO.	DESCRIPTION	LIST PRICE
ND63	63"W Desk	\$899
NEXTR	Curved Desk Ext.	\$412
NRTPL80	80" Curved Desk Return w/Pencil-Box-File	\$989
NCD	Center Drawer	\$169
<b>NT22</b>	<b>TOTAL:</b>	<b><u>\$2,469</u></b>



**NAPOLI SERIES – SUITE #23**

Consists of:		
MODEL NO.	DESCRIPTION	LIST PRICE
ND72	72"W Desk	\$973
NEXTL	Curved Desk Ext.	\$412
NRTPR80	80" Curved Desk Return w/Pencil-Box-File	\$989
NCD	Center Drawer	\$169
<b>NT23</b>	<b>TOTAL:</b>	<b><u>\$2,543</u></b>

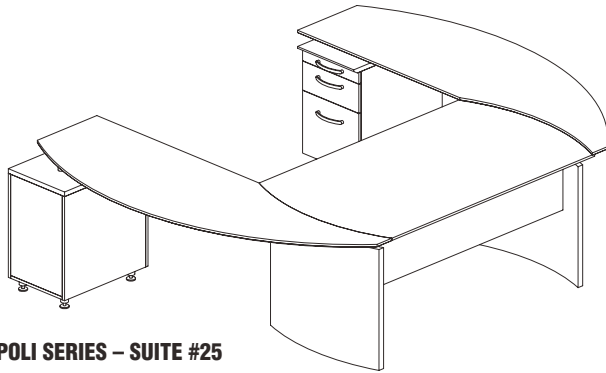
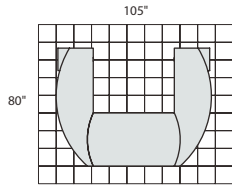


**NAPOLI SERIES – SUITE #24**

Consists of:		
MODEL NO.	DESCRIPTION	LIST PRICE
ND72	72"W Desk	\$973
NEXTR	Curved Desk Ext.	\$412
NRTPL80	80" Curved Desk Return w/Pencil-Box-File	\$989
NCD	Center Drawer	\$169
<b>NT24</b>	<b>TOTAL:</b>	<b><u>\$2,543</u></b>

**NAPOLI SERIES TYPICALS**

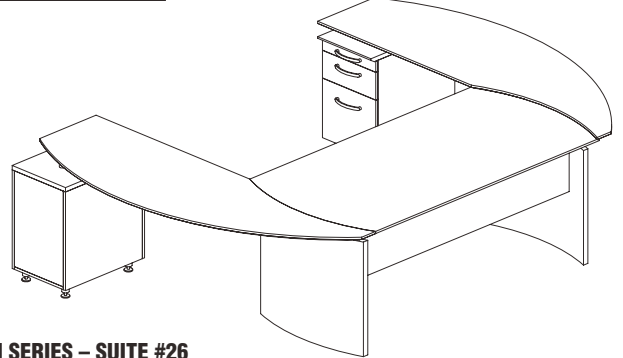
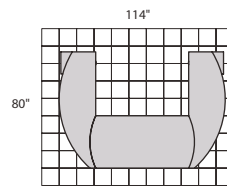
Mayline Customer Service: 1-800-822-8037



**NAPOLI SERIES – SUITE #25**

Consists of:		
MODEL NO.	DESCRIPTION	LIST PRICE
ND63	63"W Desk	\$899
NRTPL80	80" Curved Desk Return w/Pencil-Box-File	\$989
NRTPR80	80" Curved Desk Return w/Pencil-Box-File	\$989
NCD	Center Drawer	\$169

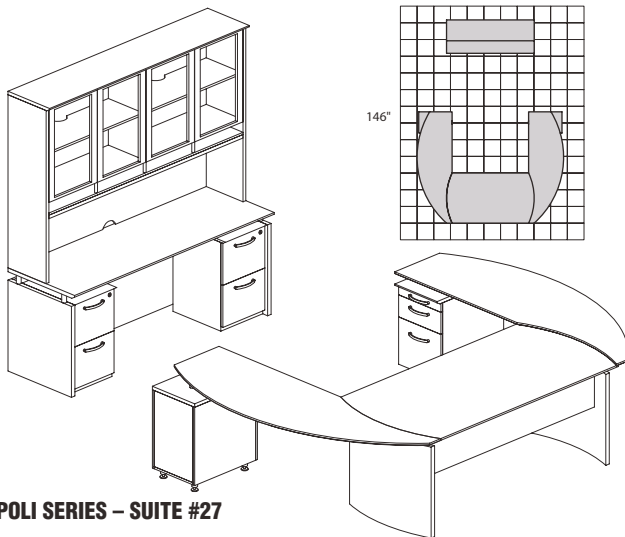
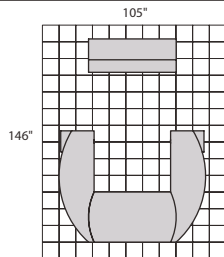
**NT25 TOTAL: \$3,046**



**NAPOLI SERIES – SUITE #26**

Consists of:		
MODEL NO.	DESCRIPTION	LIST PRICE
ND72	72"W Desk	\$973
NRTPL80	80" Curved Desk Return w/Pencil-Box-File	\$989
NRTPR80	80" Curved Desk Return w/Pencil-Box-File	\$989
NCD	Center Drawer	\$169

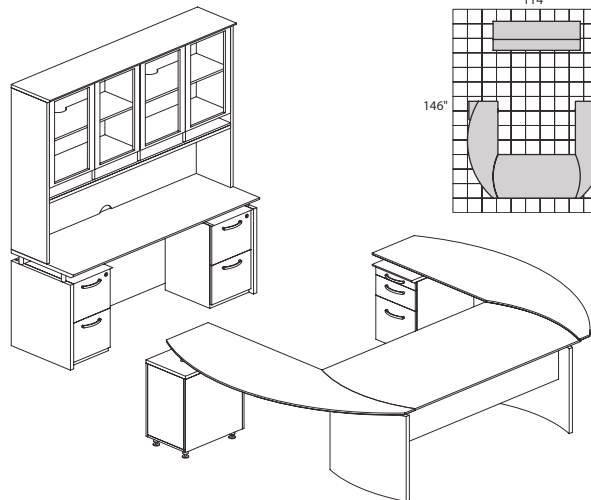
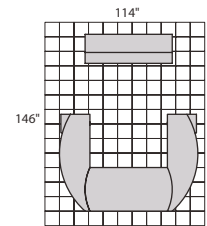
**NT26 TOTAL: \$3,120**



**NAPOLI SERIES – SUITE #27**

Consists of:		
MODEL NO.	DESCRIPTION	LIST PRICE
ND63	63"W Desk	\$899
NRTPL80	80" Curved Desk Return w/Pencil-Box-File	\$989
NRTPR80	80" Curved Desk Return w/Pencil-Box-File	\$989
NCD	Center Drawer	\$169
NCNZ63	63"W Credenza	\$780
NHTC63	63"W Hutch	\$1,390
NFF	File File Ped (2)	\$590

**NT27 TOTAL: \$5,806**

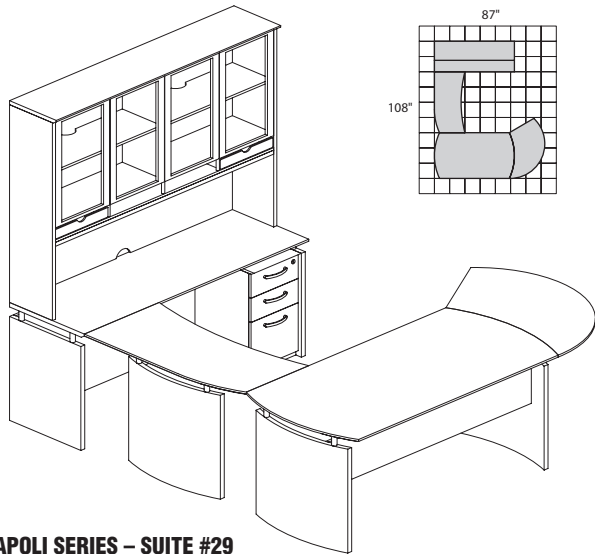


**NAPOLI SERIES – SUITE #28**

Consists of:		
MODEL NO.	DESCRIPTION	LIST PRICE
ND72	72"W Desk	\$973
NRTPL80	80" Curved Desk Return w/Pencil-Box-File	\$989
NRTPR80	80" Curved Desk Return w/Pencil-Box-File	\$989
NCD	Center Drawer	\$169
NCNZ72	72"W Credenza	\$840
NHTC72	72"W Hutch	\$1,490
NFF	File File Ped (2)	\$590

**NT28 TOTAL: \$6,040**



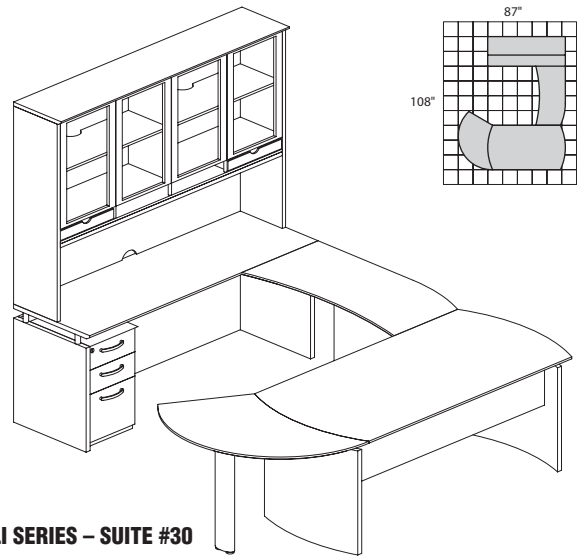


**NAPOLI SERIES – SUITE #29**

Consists of: MODEL NO.	DESCRIPTION	LIST PRICE
ND63	63"W Desk	\$899
NEXTL	Curved Desk Ext.	\$412
NCD	Center Drawer	\$169
NBDGR	Bridge Right-Hand	\$490
NCNZ63	63"W Credenza	\$780
NHTC63	63"W Hutch	\$1,390
NBBF	Box Box File	\$620
NHTR63	Pair of Trays (2)	\$150

**NT29**

**TOTAL: \$4,910**

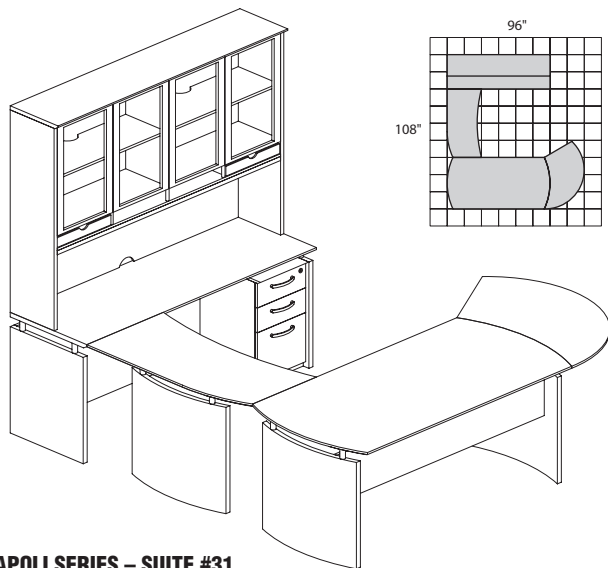


**NAPOLI SERIES – SUITE #30**

Consists of: MODEL NO.	DESCRIPTION	LIST PRICE
ND63	63"W Desk	\$899
NEXTR	Curved Desk Ext.	\$412
NCD	Center Drawer	\$169
NBDGL	Bridge Left-Hand	\$490
NCNZ63	63"W Credenza	\$780
NHTC63	63"W Hutch	\$1,390
NBBF	Box Box File	\$620
NHTR63	Pair of Trays (2)	\$150

**NT30**

**TOTAL: \$4,910**

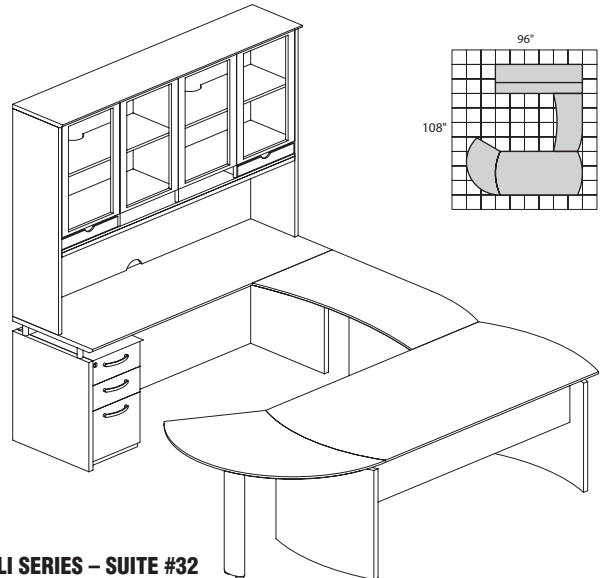


**NAPOLI SERIES – SUITE #31**

Consists of: MODEL NO.	DESCRIPTION	LIST PRICE
ND72	72"W Desk	\$973
NEXTL	Curved Desk Ext.	\$412
NCD	Center Drawer	\$169
NBDGR	Bridge Right-Hand	\$490
NCNZ72	72"W Credenza	\$840
NHTC72	72"W Hutch	\$1,490
NBBF	Box Box File	\$620
NHTR72	Pair of Trays (2)	\$150

**NT31**

**TOTAL: \$5,144**



**NAPOLI SERIES – SUITE #32**

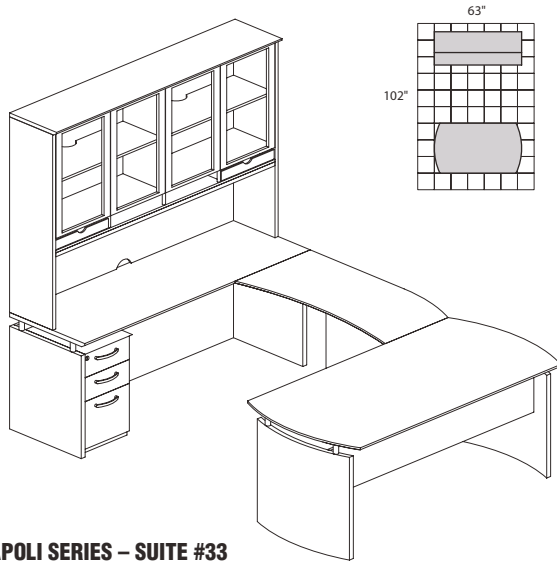
Consists of: MODEL NO.	DESCRIPTION	LIST PRICE
ND72	72"W Desk	\$973
NEXTR	Curved Desk Ext.	\$412
NCD	Center Drawer	\$169
NBDGL	Bridge Left-Hand	\$490
NCNZ72	72"W Credenza	\$840
NHTC72	72"W Hutch	\$1,490
NBBF	Box Box File	\$620
NHTR72	Pair of Trays (2)	\$150

**NT32**

**TOTAL: \$5,144**

**NAPOLI SERIES TYPICALS**

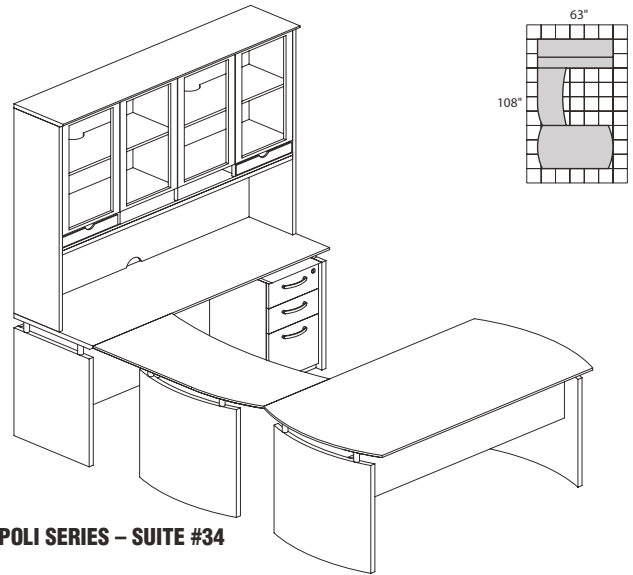
Mayline Customer Service: 1-800-822-8037



**NAPOLI SERIES – SUITE #33**

Consists of:		
MODEL NO.	DESCRIPTION	LIST PRICE
ND63	63"W Desk	\$899
NCD	Center Drawer	\$169
NBDGL	Bridge Left-Hand	\$490
NCNZ63	63"W Credenza	\$780
NHTC63	63"W Hutch	\$1,390
NBBF	Box Box File	\$620
NHTR63	Pair of Trays (2)	\$150

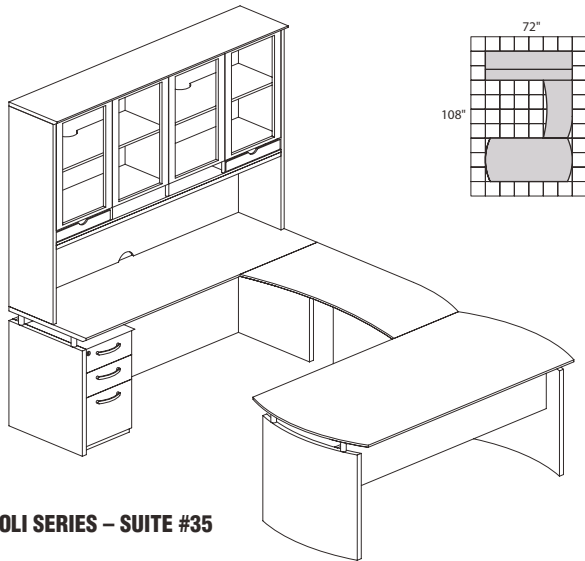
**NT33 TOTAL: \$4,498**



**NAPOLI SERIES – SUITE #34**

Consists of:		
MODEL NO.	DESCRIPTION	LIST PRICE
ND63	63"W Desk	\$899
NCD	Center Drawer	\$169
NBDGR	Bridge Right-Hand	\$490
NCNZ63	63"W Credenza	\$780
NHTC63	63"W Hutch	\$1,390
NBBF	Box Box File	\$620
NHTR63	Pair of Trays (2)	\$150

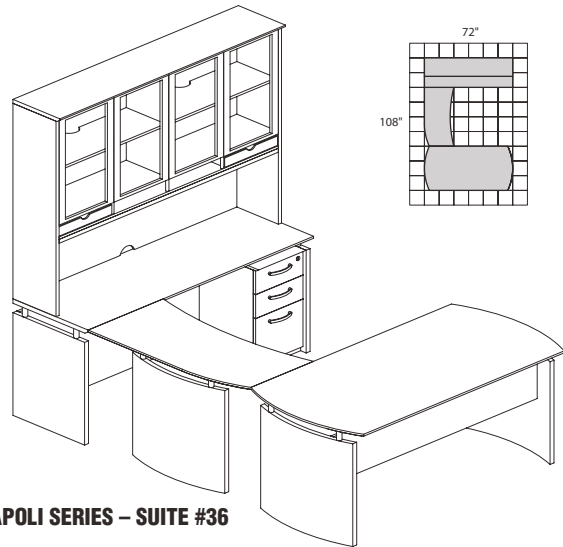
**NT34 TOTAL: \$4,498**



**NAPOLI SERIES – SUITE #35**

Consists of:		
MODEL NO.	DESCRIPTION	LIST PRICE
ND72	72"W Desk	\$973
NCD	Center Drawer	\$169
NBDGL	Bridge Left-Hand	\$490
NCNZ72	72"W Credenza	\$840
NHTC72	72"W Hutch	\$1,490
NBBF	Box Box File	\$620
NHTR72	Pair of Trays (2)	\$150

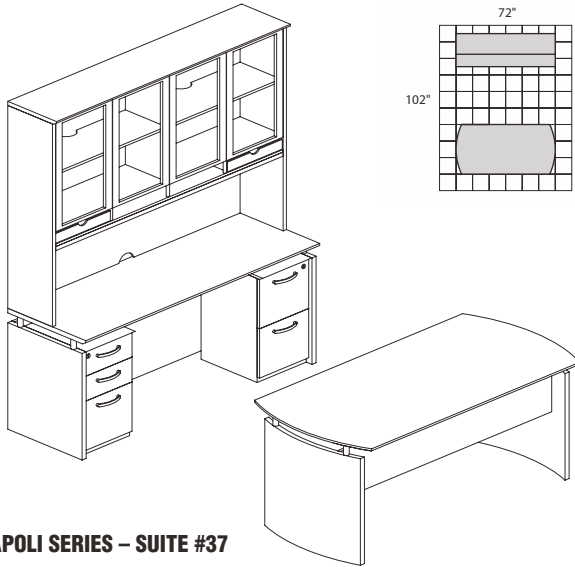
**NT35 TOTAL: \$4,732**



**NAPOLI SERIES – SUITE #36**

Consists of:		
MODEL NO.	DESCRIPTION	LIST PRICE
ND72	72"W Desk	\$973
NCD	Center Drawer	\$169
NBDGR	Bridge Right-Hand	\$490
NCNZ72	72"W Credenza	\$840
NHTC72	72"W Hutch	\$1,490
NBBF	Box Box File	\$620
NHTR72	Pair of Trays (2)	\$150

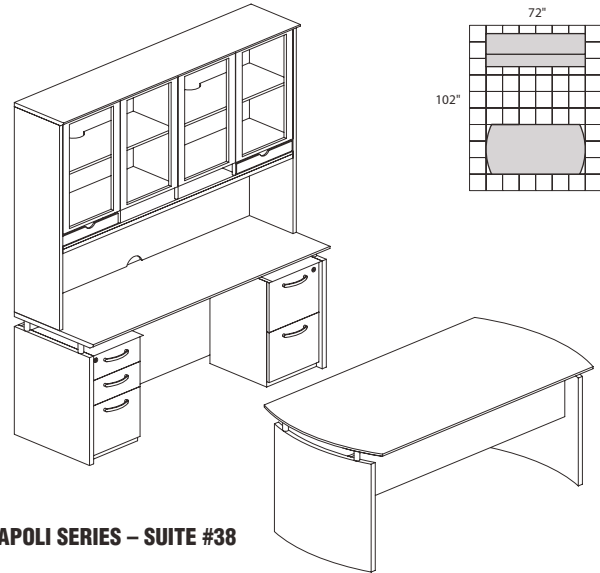
**NT36 TOTAL: \$4,732**



**NAPOLI SERIES – SUITE #37**

Consists of:		
MODEL NO.	DESCRIPTION	LIST PRICE
ND63	63"W Desk	\$899
NCD	Center Drawer	\$169
NCNZ63	63"W Credenza	\$780
NHTC63	63"W Hutch	\$1,390
NBBF	Box Box File	\$620
NFF	File File Ped	\$590
NHTR63	Pair of Trays (2)	\$150

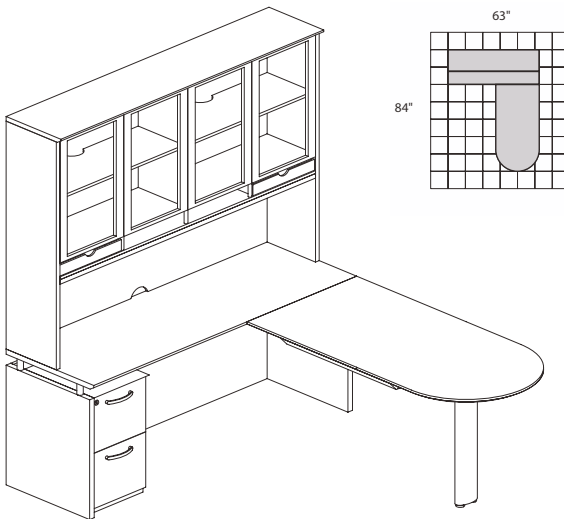
**NT37 TOTAL: \$4,598**



**NAPOLI SERIES – SUITE #38**

Consists of:		
MODEL NO.	DESCRIPTION	LIST PRICE
ND72	72"W Desk	\$973
NCD	Center Drawer	\$169
NCNZ72	72"W Credenza	\$840
NHTC72	72"W Hutch	\$1,490
NBBF	Box Box File	\$620
NFF	File File Ped	\$590
NHTR72	Pair of Trays (2)	\$150

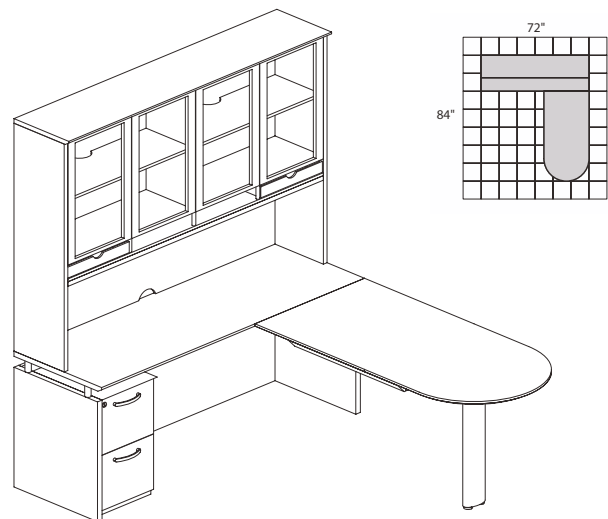
**NT38 TOTAL: \$4,832**



**NAPOLI SERIES – SUITE #39**

Consists of:		
MODEL NO.	DESCRIPTION	LIST PRICE
NPC	Peninsula Desk	\$670
NCD	Center Drawer	\$169
NCNZ63	63"W Credenza	\$780
NHTC63	63"W Hutch	\$1,390
NBBF	Box Box File	\$620
NHTR63	Pair of Trays (2)	\$150

**NT39 TOTAL: \$3,779**



**NAPOLI SERIES – SUITE #40**

Consists of:		
MODEL NO.	DESCRIPTION	LIST PRICE
NPC	Peninsula Desk	\$670
NCD	Center Drawer	\$169
NCNZ72	72"W Credenza	\$840
NHTC72	72"W Hutch	\$1,490
NBBF	Box Box File	\$620
NHTR72	Pair of Trays (2)	\$150

**NT40 TOTAL: \$3,939**

# LOUNGE FURNITURE

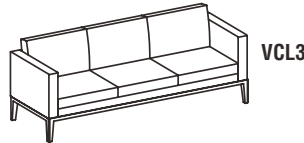
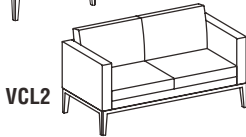


## PRESTIGE SERIES

- All seated surface areas are genuine leather and available in either Black or Mocha.
- Platforms on Prestige Series are available in Sierra Cherry or Mahogany finish.



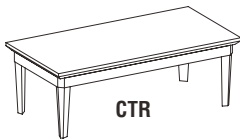
Model No.	Description	Dimensions	Wt.	List Price
<b>VCL1</b>	Chair	33 1/4"W x 29"D x 29 1/4"H	109#	\$759
<b>VCL2</b>	Settee	53 1/2"W x 29"D x 29 1/4"H	150#	\$1199
<b>VCL3</b>	Sofa	77 1/2"W x 29"D x 29 1/4"H	183#	\$1599



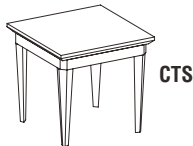
## OCCASIONAL TABLES

### CORSICA TABLES

- Table surfaces are offered in a choice of Sierra Cherry finish on a cherry veneer and Mahogany finish on walnut veneer.

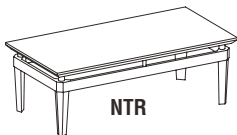


Model No.	Description	Dimensions	Wt.	List Price
<b>CTR</b>	Coffee Table	48"W x 24"D x 16"H	65#	\$611
<b>CTS</b>	End Table	24"W x 24"D x 22"H	30#	\$432



### NAPOLI TABLES

- Table surfaces are offered in a choice of Sierra Cherry finish on a cherry veneer, Mahogany finish on walnut veneer or Golden Cherry on beech veneer.



Model No.	Description	Dimensions	Wt.	List Price
<b>NTR</b>	Coffee Table	48"W x 24"D x 16"H	40#	\$611
<b>NTS</b>	End Table	24"W x 24"D x 22"H	25#	\$432



# ***Modular Workstations***

---



---

**CS II**  
**Communication Station®**

Smart Design, Stylish Look, Affordable Price...CSII provides a consistently stylish look with its radiused overhead doors providing high-end style at mid-market pricing. All pedestals and legs are non-handed making specifications and installation amazingly simple with desks featuring a full 30" of filing and/or storage space.



**Desks:** 29"H Desk height. Legs and modesty panels made from C.R.S. Optional storage pedestals incorporated into base to reduce redundant components. Modesty panel full height on desks – 2/3 height on credenza. Modesty panel can be mounted flush or with 1 1/2" inset. All desks come standard with leveling glides and grommets.

**Worksurfaces:** 1 1/8" High pressure laminate with PVC T-mold and 3mm edging.

**Peds:** Full extension ball bearing slides on all drawers, with adjustable leveling glides, pencil tray and box file divider. Locks standard and allow for lock cores to be changed. Choose Box/Box/File or File/File style. Peds support both legal and letter width files.

**Overhead:** All steel cabinet body. Contoured door for aesthetics. Doors travel up and over top of unit using ball bearing slides.

Standard locks are concealed under cabinet body and are core-removable to create keyed-alike suites. 13 7/8" deep shelf is 20" above desk. Options include: Soft close, tackboard, and task light.

**Privacy Panels:** Hollow core privacy panels available in tackable fabric or dry erase laminate. Can be stacked or ganged to create many unique combinations. Panel heights can be combined for three levels of privacy, either 18", 27" or 36"H.

**Kwik-Ship Finishes:** Black/Crown Cherry, Medium Tone/Windswept Pewter, Desert Sage/Sunstone: signified with an asterisk (\*).

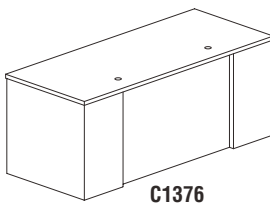
**Meets or exceeds all ANSI/BIFMA standards.**

**All grommets, overhead door and stackable fabric panel trim will match the worksurface edging color (Black, Taupe, Warm Gray & Ice Gray).**

### 30" DEEP RECTANGULAR DESK

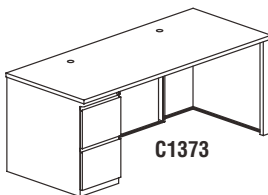
- Pedestal depth is 30".
- Choice of File/File (F/F) and/or Box/Box/File (B/B/F).

- Full height modesty panel included.
- Two grommets in surface, standard.



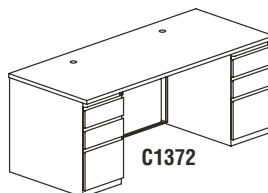
Model No.	Dimensions	Wt.	List Price
C1336	48"W x 30"D x 29"H, no ped	114#	\$465
C1346	54"W x 30"D x 29"H, no ped	119#	\$476
C1356	60"W x 30"D x 29"H, no ped	124#	\$502
C1366	66"W x 30"D x 29"H, no ped	132#	\$529
C1376	72"W x 30"D x 29"H, no ped	142#	\$538

#### • 30" Deep Rectangular with one pedestal.

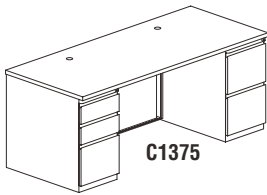


Model No.	Dimensions	Wt.	List Price
C1331	48"W x 30"D x 29"H, 1 B/B/F ped	157#	\$805
C1341	54"W x 30"D x 29"H, 1 B/B/F ped	162#	\$815
C1351	60"W x 30"D x 29"H, 1 B/B/F ped	167#	\$842
C1361	66"W x 30"D x 29"H, 1 B/B/F ped	175#	\$869
C1371	72"W x 30"D x 29"H, 1 B/B/F ped	185#	\$878
C1333	48"W x 30"D x 29"H, 1 F/F ped	157#	\$805
C1343	54"W x 30"D x 29"H, 1 F/F ped	162#	\$815
C1353	60"W x 30"D x 29"H, 1 F/F ped	167#	\$842
C1363	66"W x 30"D x 29"H, 1 F/F ped	175#	\$869
C1373	72"W x 30"D x 29"H, 1 F/F ped	185#	\$878

#### • 30" Deep Rectangular with two pedestals.



Model No.	Dimensions	Wt.	List Price
C1342	54"W x 30"D x 29"H, 2 B/B/F peds	175#	\$1155
C1352	60"W x 30"D x 29"H, 2 B/B/F peds	180#	\$1181
C1362	66"W x 30"D x 29"H, 2 B/B/F peds	190#	\$1208
C1372	72"W x 30"D x 29"H, 2 B/B/F peds	200#	\$1217

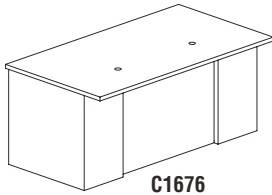
**• 30" Deep Rectangular with two pedestals continued.**


Model No.	Dimensions	Wt.	List Price
<b>C1345</b>	54"W x 30"D x 29"H, 1 <b>B/B/F</b> ped, 1 <b>F/F</b> ped	175#	\$1155
<b>C1355</b>	60"W x 30"D x 29"H, 1 <b>B/B/F</b> ped, 1 <b>F/F</b> ped	180#	\$1181
<b>C1365</b>	66"W x 30"D x 29"H, 1 <b>B/B/F</b> ped, 1 <b>F/F</b> ped	190#	\$1208
<b>C1375</b>	72"W x 30"D x 29"H, 1 <b>B/B/F</b> ped, 1 <b>F/F</b> ped	200#	\$1217
<b>C1344</b>	54"W x 30"D x 29"H, 2 <b>F/F</b> peds	175#	\$1155
<b>C1354</b>	60"W x 30"D x 29"H, 2 <b>F/F</b> peds	180#	\$1181
<b>C1364</b>	66"W x 30"D x 29"H, 2 <b>F/F</b> peds	190#	\$1208
<b>C1374</b>	72"W x 30"D x 29"H, 2 <b>F/F</b> peds	200#	\$1217

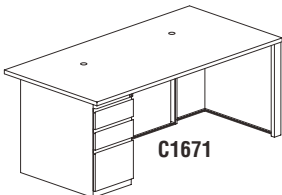
**36" DEEP RECTANGULAR DESK**

- Pedestal depth is 30".
- 6" conference overhang.

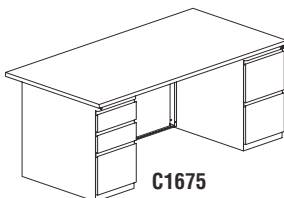
- Full height modesty panel included.
- Two grommets in surface, standard.



Model No.	Dimensions	Wt.	List Price
<b>C1656</b>	60"W x 36"D x 29"H, no ped	139#	\$503
<b>C1666</b>	66"W x 36"D x 29"H, no ped	147#	\$521
<b>C1676</b>	72"W x 36"D x 29"H, no ped	157#	\$554

**• 36" Deep Rectangular with one pedestal.**


Model No.	Dimensions	Wt.	List Price
<b>C1651</b>	60"W x 36"D x 29"H, 1 <b>B/B/F</b> ped	180#	\$858
<b>C1661</b>	66"W x 36"D x 29"H, 1 <b>B/B/F</b> ped	190#	\$876
<b>C1671</b>	72"W x 36"D x 29"H, 1 <b>B/B/F</b> ped	200#	\$908
<b>C1653</b>	60"W x 36"D x 29"H, 1 <b>F/F</b> ped	180#	\$858
<b>C1663</b>	66"W x 36"D x 29"H, 1 <b>F/F</b> ped	190#	\$876
<b>C1673</b>	72"W x 36"D x 29"H, 1 <b>F/F</b> ped	200#	\$908

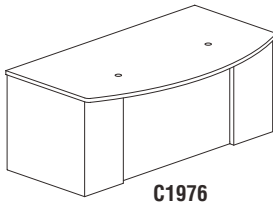
**• 36" Deep Rectangular with two pedestals.**


Model No.	Dimensions	Wt.	List Price
<b>C1652</b>	60"W x 36"D x 29"H, 2 <b>B/B/F</b> peds	187#	\$1212
<b>C1662</b>	66"W x 36"D x 29"H, 2 <b>B/B/F</b> peds	202#	\$1230
<b>C1672</b>	72"W x 36"D x 29"H, 2 <b>B/B/F</b> peds	217#	\$1263
<b>C1655</b>	60"W x 36"D x 29"H, 1 <b>B/B/F</b> ped, 1 <b>F/F</b> ped	187#	\$1212
<b>C1665</b>	66"W x 36"D x 29"H, 1 <b>B/B/F</b> ped, 1 <b>F/F</b> ped	202#	\$1230
* <b>C1675</b>	72"W x 36"D x 29"H, 1 <b>B/B/F</b> ped, 1 <b>F/F</b> ped	217#	\$1263
<b>C1654</b>	60"W x 36"D x 29"H, 2 <b>F/F</b> peds	187#	\$1212
<b>C1664</b>	66"W x 36"D x 29"H, 2 <b>F/F</b> peds	202#	\$1230
<b>C1674</b>	72"W x 36"D x 29"H, 2 <b>F/F</b> peds	217#	\$1263



**39" DEEP BOW FRONT DESK**

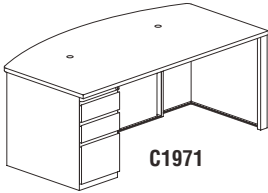
- Pedestal depth is 30".
- Full height modesty panel included.
- Flush Modesty = 9" overhang, Recessed Modesty = 10 1/4" overhang.
- Two grommets in surface, standard.



C1976

Model No.	Dimensions	Wt.	List Price
C1956	60"W x 39"D x 29"H, no ped	140#	\$584
C1966	66"W x 39"D x 29"H, no ped	150#	\$620
C1976	72"W x 39"D x 29"H, no ped	160#	\$638

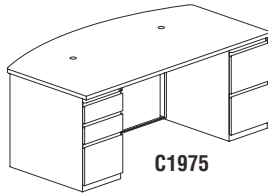
• 39" Bow Front Desk with one pedestal.



C1971

Model No.	Dimensions	Wt.	List Price
C1951	60"W x 39"D x 29"H, 1 B/B/F ped	190#	\$939
C1961	66"W x 39"D x 29"H, 1 B/B/F ped	205#	\$975
*C1971	72"W x 39"D x 29"H, 1 B/B/F ped	220#	\$993
C1953	60"W x 39"D x 29"H, 1 F/F ped	190#	\$939
C1963	66"W x 39"D x 29"H, 1 F/F ped	205#	\$975
C1973	72"W x 39"D x 29"H, 1 F/F ped	220#	\$993

• 39" Bow Front Desk with two pedestals.

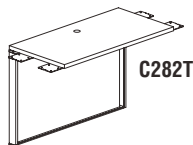


C1975

Model No.	Dimensions	Wt.	List Price
C1952	60"W x 39"D x 29"H, 2 B/B/F peds	225#	\$1293
C1962	66"W x 39"D x 29"H, 2 B/B/F peds	235#	\$1329
C1972	72"W x 39"D x 29"H, 2 B/B/F peds	245#	\$1347
C1955	60"W x 39"D x 29"H, 1 B/B/F ped, 1 F/F ped	225#	\$1293
C1965	66"W x 39"D x 29"H, 1 B/B/F ped, 1 F/F ped	235#	\$1329
C1975	72"W x 39"D x 29"H, 1 B/B/F ped, 1 F/F ped	245#	\$1347
C1954	60"W x 39"D x 29"H, 2 F/F peds	225#	\$1293
C1964	66"W x 39"D x 29"H, 2 F/F peds	235#	\$1329
C1974	72"W x 39"D x 29"H, 2 F/F peds	245#	\$1347

**BRIDGES**

- Not freestanding, requires support from adjoining worksurfaces.
- Available with full, 2/3 height, or no modesty panel.
- Available as straight or contoured bridge.
- One grommet in surface, standard.



C282T

• Straight Bridge

Model No.	Dimensions	Wt.	List Price
C281T	36"W x 24"D x 29"H, Full Modesty Panel	50#	\$243
*C282T	42"W x 24"D x 29"H, Full Modesty Panel	57#	\$257
C283T	48"W x 24"D x 29"H, Full Modesty Panel	65#	\$271
C281S	36"W x 24"D x 29"H, 2/3 Modesty Panel	45#	\$239
C282S	42"W x 24"D x 29"H, 2/3 Modesty Panel	53#	\$253
C283S	48"W x 24"D x 29"H, 2/3 Modesty Panel	60#	\$266

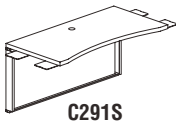
Continued on next page.

• **Straight Bridge continued**

Model No.	Dimensions	Wt.	List Price
<b>C281N</b>	36"W x 24"D x 29"H, No Modesty Panel	40#	\$225
<b>C282N</b>	42"W x 24"D x 29"H, No Modesty Panel	45#	\$235
<b>C283N</b>	48"W x 24"D x 29"H, No Modesty Panel	50#	\$248

• **Contour Bridge**

Model No.	Dimensions	Wt.	List Price
<b>C291T</b>	36"W x 24"D x 29"H, Full Modesty Panel	50#	\$253
<b>C292T</b>	42"W x 24"D x 29"H, Full Modesty Panel	57#	\$267
<b>C293T</b>	48"W x 24"D x 29"H, Full Modesty Panel	65#	\$281



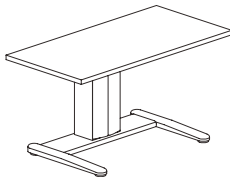
C291S

<b>C291S</b>	36"W x 24"D x 29"H, 2/3 Modesty Panel	45#	\$249
<b>C292S</b>	42"W x 24"D x 29"H, 2/3 Modesty Panel	53#	\$263
<b>C293S</b>	48"W x 24"D x 29"H, 2/3 Modesty Panel	60#	\$276

<b>C291N</b>	36"W x 24"D x 29"H, No Modesty Panel	40#	\$235
<b>C292N</b>	42"W x 24"D x 29"H, No Modesty Panel	45#	\$245
<b>C293N</b>	48"W x 24"D x 29"H, No Modesty Panel	50#	\$258

**HEIGHT ADJUSTABLE BRIDGE**

- Provides sit to stand adjustability at bridge location.
- Travel Range: 16" of vertical adjustment from 26" to 42": Full travel time is 18 seconds.
- Drive System: 110V, 60 H input, 24V DC motor. 150 lb. capacity. Draws 1.2 amps under full load.
- No modesty panel or grommet.

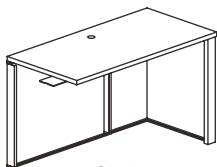


Model No.	Dimensions	Wt.	List Price
<b>C36A</b>	36"W x 24"D	115#	\$1367
<b>C42A</b>	42"W x 24"D	119#	\$1377
<b>C48A</b>	48"W x 24"D	125#	\$1432

**RETURNS**

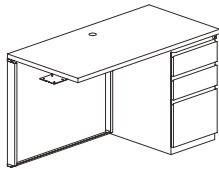
- Used to create "L" return.
- Available in 24"D or 30"D depths.
- Returns are non-handed.
- Full height modesty panel included.
- One grommet in surface, standard.
- Must attach to a freestanding desk unit.

• **24" Deep Returns**



C2436

Model No.	Dimensions	Wt.	List Price
<b>C2486</b>	24"W x 24"D x 29"H, no ped	65#	\$293
<b>C2406</b>	30"W x 24"D x 29"H, no ped	70#	\$314
<b>C2416</b>	36"W x 24"D x 29"H, no ped	75#	\$335
<b>C2426</b>	42"W x 24"D x 29"H, no ped	82#	\$356
<b>C2436</b>	48"W x 24"D x 29"H, no ped	89#	\$383
<b>C2446</b>	54"W x 24"D x 29"H, no ped	96#	\$439
<b>C2456</b>	60"W x 24"D x 29"H, no ped	103#	\$459
<b>C2466</b>	66"W x 24"D x 29"H, no ped	110#	\$491
<b>C2476</b>	72"W x 24"D x 29"H, no ped	117#	\$511

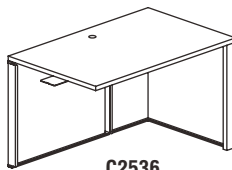


C2441

**• 24" Deep with one pedestal.**

Model No.	Dimensions	Wt.	List Price
C2481	24"W x 24"D x 29"H, 1 <b>B/B/F</b> ped	94#	\$616
C2401	30"W x 24"D x 29"H, 1 <b>B/B/F</b> ped	99#	\$637
C2411	36"W x 24"D x 29"H, 1 <b>B/B/F</b> ped	104#	\$658
C2421	42"W x 24"D x 29"H, 1 <b>B/B/F</b> ped	111#	\$686
C2431	48"W x 24"D x 29"H, 1 <b>B/B/F</b> ped	118#	\$712
C2441	54"W x 24"D x 29"H, 1 <b>B/B/F</b> ped	125#	\$748
C2451	60"W x 24"D x 29"H, 1 <b>B/B/F</b> ped	132#	\$788
C2461	66"W x 24"D x 29"H, 1 <b>B/B/F</b> ped	139#	\$815
C2471	72"W x 24"D x 29"H, 1 <b>B/B/F</b> ped	146#	\$841

C2483	24"W x 24"D x 29"H, 1 <b>F/F</b> ped	94#	\$616
C2403	30"W x 24"D x 29"H, 1 <b>F/F</b> ped	99#	\$637
C2413	36"W x 24"D x 29"H, 1 <b>F/F</b> ped	104#	\$658
C2423	42"W x 24"D x 29"H, 1 <b>F/F</b> ped	111#	\$686
C2433	48"W x 24"D x 29"H, 1 <b>F/F</b> ped	118#	\$712
C2443	54"W x 24"D x 29"H, 1 <b>F/F</b> ped	125#	\$748
C2453	60"W x 24"D x 29"H, 1 <b>F/F</b> ped	132#	\$788
C2463	66"W x 24"D x 29"H, 1 <b>F/F</b> ped	139#	\$815
C2473	72"W x 24"D x 29"H, 1 <b>F/F</b> ped	146#	\$841

**• 30" Deep Returns**


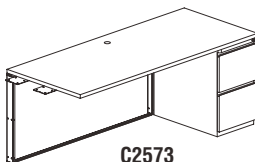
C2536

Model No.	Dimensions	Wt.	List Price
C2586	24"W x 30"D x 29"H, no ped	84#	\$329
C2506	30"W x 30"D x 29"H, no ped	89#	\$350
C2516	36"W x 30"D x 29"H, no ped	94#	\$371
C2526	42"W x 30"D x 29"H, no ped	101#	\$397
C2536	48"W x 30"D x 29"H, no ped	109#	\$423
C2546	54"W x 30"D x 29"H, no ped	119#	\$482
C2556	60"W x 30"D x 29"H, no ped	123#	\$509
C2566	66"W x 30"D x 29"H, no ped	133#	\$540
C2576	72"W x 30"D x 29"H, no ped	141#	\$594

**• 30" Deep with one pedestal.**

Model No.	Dimensions	Wt.	List Price
C2581	24"W x 30"D x 29"H, 1 <b>B/B/F</b> ped	123#	\$656
C2501	30"W x 30"D x 29"H, 1 <b>B/B/F</b> ped	128#	\$677
C2511	36"W x 30"D x 29"H, 1 <b>B/B/F</b> ped	133#	\$698
C2521	42"W x 30"D x 29"H, 1 <b>B/B/F</b> ped	140#	\$726
* C2531	48"W x 30"D x 29"H, 1 <b>B/B/F</b> ped	147#	\$752
C2541	54"W x 30"D x 29"H, 1 <b>B/B/F</b> ped	153#	\$811
C2551	60"W x 30"D x 29"H, 1 <b>B/B/F</b> ped	162#	\$838
C2561	66"W x 30"D x 29"H, 1 <b>B/B/F</b> ped	170#	\$869
C2571	72"W x 30"D x 29"H, 1 <b>B/B/F</b> ped	180#	\$923

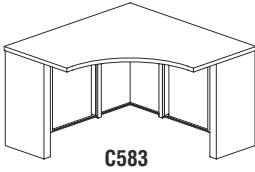
C2583	24"W x 30"D x 29"H, 1 <b>F/F</b> ped	123#	\$656
C2503	30"W x 30"D x 29"H, 1 <b>F/F</b> ped	128#	\$677
C2513	36"W x 30"D x 29"H, 1 <b>F/F</b> ped	133#	\$698
C2523	42"W x 30"D x 29"H, 1 <b>F/F</b> ped	140#	\$726
C2533	48"W x 30"D x 29"H, 1 <b>F/F</b> ped	147#	\$752
C2543	54"W x 30"D x 29"H, 1 <b>F/F</b> ped	153#	\$811
C2553	60"W x 30"D x 29"H, 1 <b>F/F</b> ped	162#	\$838
C2563	66"W x 30"D x 29"H, 1 <b>F/F</b> ped	170#	\$869
C2573	72"W x 30"D x 29"H, 1 <b>F/F</b> ped	180#	\$923



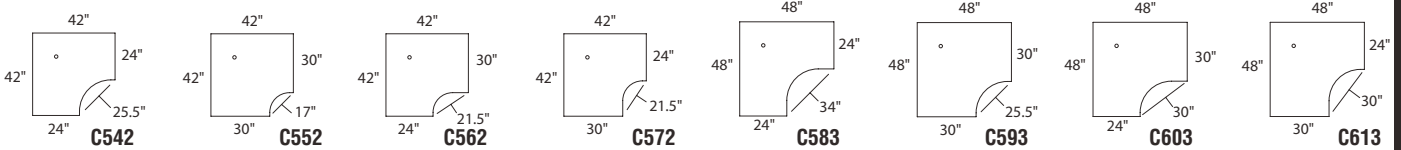
C2573

**STAND ALONE CORNER SURFACE**

- Corner units can be used as a freestanding desk or as part of a larger configuration.
- For additional corner height adjustable models see VariTask E-Series on pp. 87-88 of the 2006 Mayline Group Price List.
- Full height modesty panels included.
- One grommet in surface, standard.

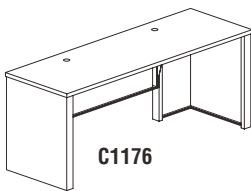


Model No.	Dimensions	Wt.	List Price
<b>C542</b>	24"D x 42"W x 42"W x 24"D x 29"H	124#	\$610
<b>C552</b>	30"D x 42"W x 42"W x 30"D x 29"H	129#	\$628
<b>C562</b>	24"D x 42"W x 42"W x 30"D x 29"H	127#	\$678
<b>C572</b>	30"D x 42"W x 42"W x 24"D x 29"H	127#	\$678
<b>C583</b>	24"D x 48"W x 48"W x 24"D x 29"H	131#	\$718
<b>C593</b>	30"D x 48"W x 48"W x 30"D x 29"H	143#	\$718
<b>C603</b>	24"D x 48"W x 48"W x 30"D x 29"H	139#	\$718
<b>C613</b>	30"D x 48"W x 48"W x 24"D x 29"H	139#	\$718



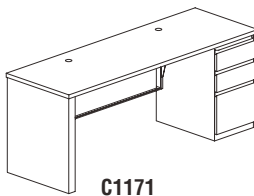
**24" DEEP CRENZENZA**

- Pedestal depth is 24".
- Pedestals and legs are non-handed to allow installation on either left or right.
- F/F and/or B/B/F available.
- 2/3 height modesty panel included.
- Two grommets in surface, standard.



Model No.	Dimensions	Wt.	List Price
<b>C1136</b>	48"W x 24"D x 29"H, no ped	94#	\$454
<b>C1146</b>	54"W x 24"D x 29"H, no ped	101#	\$467
<b>C1156</b>	60"W x 24"D x 29"H, no ped	108#	\$485
<b>C1166</b>	66"W x 24"D x 29"H, no ped	115#	\$510
<b>C1176</b>	72"W x 24"D x 29"H, no ped	122#	\$536

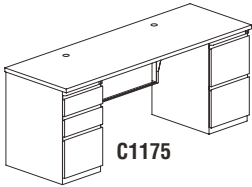
• Credenza with one pedestal.



Model No.	Dimensions	Wt.	List Price
<b>C1131</b>	48"W x 24"D x 29"H, 1 B/B/F ped	130#	\$783
<b>C1141</b>	54"W x 24"D x 29"H, 1 B/B/F ped	137#	\$797
<b>C1151</b>	60"W x 24"D x 29"H, 1 B/B/F ped	144#	\$815
<b>C1161</b>	66"W x 24"D x 29"H, 1 B/B/F ped	151#	\$840
<b>C1171</b>	72"W x 24"D x 29"H, 1 B/B/F ped	158#	\$865
<b>C1133</b>	48"W x 24"D x 29"H, 1 F/F ped	130#	\$783
<b>C1143</b>	54"W x 24"D x 29"H, 1 F/F ped	137#	\$797
<b>C1153</b>	60"W x 24"D x 29"H, 1 F/F ped	144#	\$815
<b>C1163</b>	66"W x 24"D x 29"H, 1 F/F ped	151#	\$840
* <b>C1173</b>	72"W x 24"D x 29"H, 1 F/F ped	160#	\$865

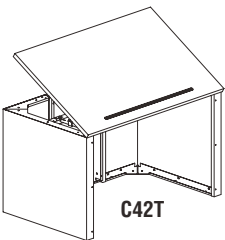
• Credenza with two pedestals.

Model No.	Dimensions	Wt.	List Price
<b>C1142</b>	54"W x 24"D x 29"H, 2 <b>B/B/F</b> peds	178#	\$1126
<b>C1152</b>	60"W x 24"D x 29"H, 2 <b>B/B/F</b> peds	185#	\$1144
<b>C1162</b>	66"W x 24"D x 29"H, 2 <b>B/B/F</b> peds	192#	\$1169
* <b>C1172</b>	72"W x 24"D x 29"H, 2 <b>B/B/F</b> peds	204#	\$1194
<b>C1145</b>	54"W x 24"D x 29"H, 1 <b>B/B/F</b> ped, 1 <b>F/F</b> ped	178#	\$1126
<b>C1155</b>	60"W x 24"D x 29"H, 1 <b>B/B/F</b> ped, 1 <b>F/F</b> ped	185#	\$1144
<b>C1165</b>	66"W x 24"D x 29"H, 1 <b>B/B/F</b> ped, 1 <b>F/F</b> ped	192#	\$1169
<b>C1175</b>	72"W x 24"D x 29"H, 1 <b>B/B/F</b> ped, 1 <b>F/F</b> ped	204#	\$1194
<b>C1144</b>	54"W x 24"D x 29"H, 2 <b>F/F</b> peds	178#	\$1126
<b>C1154</b>	60"W x 24"D x 29"H, 2 <b>F/F</b> peds	185#	\$1144
<b>C1164</b>	66"W x 24"D x 29"H, 2 <b>F/F</b> peds	187#	\$1169
<b>C1174</b>	72"W x 24"D x 29"H, 2 <b>F/F</b> peds	199#	\$1194



**TILT TOP TABLES**

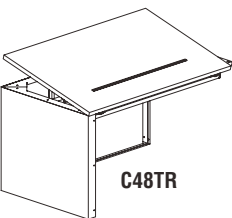
- Pencil stop standard in worksurface.
- Top may be positioned from 0° to 60° in 19 preset positions.
- No grommet.



Model No.	Dimensions	Wt.	List Price
<b>C36T</b>	36"W x 30"D x 29"H*	130#	\$830
<b>C42T</b>	42"W x 30"D x 29"H*	140#	\$865
<b>C48T</b>	48"W x 30"D x 29"H*	150#	\$899

\* When mounting straightedges to worksurface, order next size smaller straight edge – use 10104 Hardware Bag.

- Return style to be used when attaching to desks.

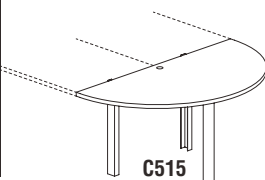


Model No.	Dimensions	Wt.	List Price
<b>C36TR</b>	36"W x 30"D x 29"H*	110#	\$730
<b>C42TR</b>	42"W x 30"D x 29"H*	120#	\$765
<b>C48TR</b>	48"W x 30"D x 29"H*	130#	\$799

\* When mounting straightedges to worksurface, order next size smaller straight edge – use 10104 Hardware Bag.

**END TEAM TABLES**

- Half round, team tables connect to two CSII desks that are placed back to back.
- Cannot be used when integrated pedestal is on desk end as it is secured to desk leg.
- One grommet in surface, standard.



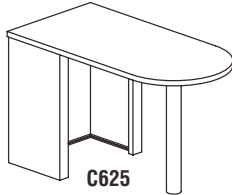
Model No.	Dimensions	Wt.	List Price
<b>C523</b>	25"W x 48"D x 29"H	85#	\$449
<b>C515</b>	31"W x 60"D x 29"H	78#	\$469

**PENINSULA FREESTANDING TABLE**

- Peninsula tables provide additional workspace for conferencing and shared work applications.
- No grommet.
- Attaches to right or left side of bridges.

**• 24" Deep Peninsula Tables**

Model No.	Dimensions	Wt.	List Price
C625	60"W x 24"D x 29"H	56#	\$863
C626	66"W x 24"D x 29"H	101#	\$1024
C627	72"W x 24"D x 29"H	106#	\$1048


**• 30" Deep Peninsula Tables**

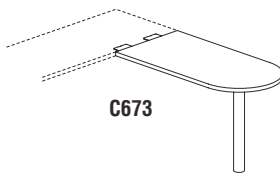
Model No.	Dimensions	Wt.	List Price
C635	60"W x 30"D x 29"H	110#	\$906
C636	66"W x 30"D x 29"H	115#	\$1067
C637	72"W x 30"D x 29"H	120#	\$1092

**• 36" Deep Peninsula Tables**

Model No.	Dimensions	Wt.	List Price
C645	60"W x 36"D x 29"H	134#	\$1018
C646	66"W x 36"D x 29"H	139#	\$1178
C647	72"W x 36"D x 29"H	149#	\$1202

**PENINSULA POST STYLE**

- Not freestanding, requires adjacent table.
- Cannot be used when integrated pedestal is on desk end.
- No grommet.


**• 24" Deep Peninsula Tables**

Model No.	Dimensions	Wt.	List Price
C673	48"W x 24"D x 29"H	55#	\$447
C675	60"W x 24"D x 29"H	65#	\$463
C677	72"W x 24"D x 29"H	75#	\$499

**• 30" Deep Peninsula Tables**

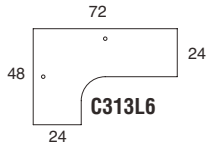
Model No.	Dimensions	Wt.	List Price
C683	48"W x 30"D x 29"H	65#	\$473
C685	60"W x 30"D x 29"H	75#	\$489
C687	72"W x 30"D x 29"H	85#	\$525

**• 36" Deep Peninsula Tables**

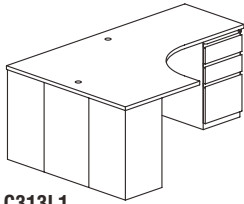
Model No.	Dimensions	Wt.	List Price
C693	48"W x 36"D x 29"H	75#	\$523
C695	60"W x 36"D x 29"H	85#	\$539
C697	72"W x 36"D x 29"H	95#	\$575

**J TABLES**

- Combines free standing worktable and corner unit into one unit.
- "J" Tables can be used free standing or as part of a larger configuration.
- Can be used in left/right configurations to create multi person work areas.
- Allows for a very compact work area.
- Right (R) and left (L) hand versions available (**left hand version is shown.**)
- Modesty panels included, 48" return side has full modesty panel, 72" side has 2/3 height modesty panel.
- Two grommets in surface, standard.

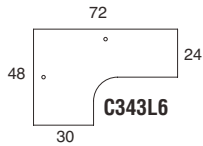


Model No.	Dimensions	Wt.	List Price
<b>C313L6</b>	72"W x 48"D x 29"H x 24"D return left, no ped	175#	\$885
<b>C313R6</b>	72"W x 48"D x 29"H x 24"D return right, no ped	175#	\$885
<b>C313L1</b>	72"W x 48"D x 29"H x 24"D return left w/ one <b>B/B/F</b> ped	214#	\$1125
<b>C313R1</b>	72"W x 48"D x 29"H x 24"D return right w/ one <b>B/B/F</b> ped	214#	\$1125
<b>C313L3</b>	72"W x 48"D x 29"H x 24"D return left w/ one <b>F/F</b> ped	214#	\$1125
<b>C313R3</b>	72"W x 48"D x 29"H x 24"D return right w/ one <b>F/F</b> ped	214#	\$1125



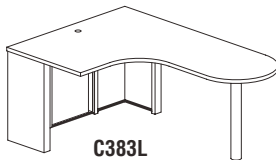
**C313L1**

Model No.	Dimensions	Wt.	List Price
<b>C343L6</b>	72"W x 48"D x 29"H x 30"D return left, no ped	175#	\$885
<b>C343R6</b>	72"W x 48"D x 29"H x 30"D return right, no ped	175#	\$885
* <b>C343L1</b>	72"W x 48"D x 29"H x 30"D return left w/ one <b>B/B/F</b> ped	224#	\$1125
* <b>C343R1</b>	72"W x 48"D x 29"H x 30"D return right w/ one <b>B/B/F</b> ped	224#	\$1125
<b>C343L3</b>	72"W x 48"D x 29"H x 30"D return left w/ one <b>F/F</b> ped	224#	\$1125
<b>C343R3</b>	72"W x 48"D x 29"H x 30"D return right w/ one <b>F/F</b> ped	224#	\$1125



**P TABLES**

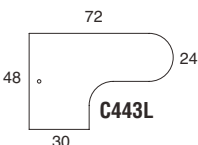
- The "P" Table combines a reference surface with a peninsula table.
- Right (R) and left (L) hand versions available
- Available in either a standard radius or an extended conference radius.
- Allows for a very compact work area
- Full height modesty panel included.
- One grommet in surface, standard.



**C383L**

**• 24"D Return**

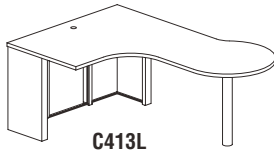
Model No.	Dimensions	Wt.	List Price
<b>C383L</b>	72"W x 48"D x 29"H x 24"D return left	142#	\$885
<b>C383R</b>	72"W x 48"D x 29"H x 24"D return right	142#	\$885



**• 30"D Return**

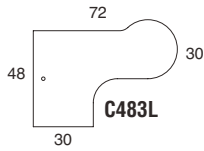
Model No.	Dimensions	Wt.	List Price
<b>C443L</b>	72"W x 48"D x 29"H x 30"D return left	149#	\$885
<b>C443R</b>	72"W x 48"D x 29"H x 30"D return right	149#	\$885





- 24"D Return with conference end.

Model No.	Dimensions	Wt.	List Price
<b>C413L</b>	72"W x 48"D x 29"H x 24"D return left conference	145#	\$895
<b>C413R</b>	72"W x 48"D x 29"H x 24"D return right conference	145#	\$895

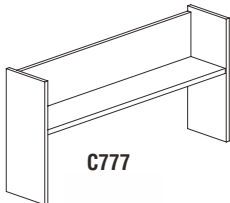


- 30"D Return with conference end.

Model No.	Dimensions	Wt.	List Price
* <b>C483L</b>	72"W x 48"D x 29"H x 30"D return left conference	152#	\$895
* <b>C483R</b>	72"W x 48"D x 29"H x 30"D return right conference	152#	\$895

### OPEN SHELF OVERHEAD

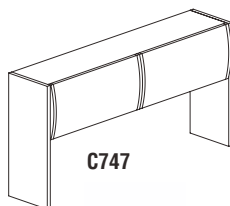
- All steel cabinet body.
- 13 7/8" deep shelf is 20" above desk.
- Accepts optional fabric tack panel and task light.



Model No.	Dimensions	Wt.	List Price
<b>C773</b>	48"W x 14"D x 36"H	58#	\$295
<b>C774</b>	54"W x 14"D x 36"H	60#	\$309
<b>C775</b>	60"W x 14"D x 36"H	65#	\$322
<b>C776</b>	66"W x 14"D x 36"H	70#	\$335
<b>C777</b>	72"W x 14"D x 36"H	75#	\$357

### FLIPPER DOOR OVERHEAD

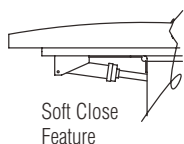
- All steel cabinet body.
- 13 7/8" deep shelf is 20" above desk.
- Locks standard. Concealed under cabinet body and core removeable.
- Accepts optional fabric tack panel and task light.
- Contoured door for aesthetics.
- **Door color matches accenting trim components (grommets, worksurface T-mold and privacy panel kits). Available in Black, Taupe, Warm Gray and Ice Gray.**



Model No.	Dimensions	Wt.	List Price
<b>C743</b>	48"W x 15"D x 36"H	85#	\$499
<b>C744</b>	54"W x 15"D x 36"H	88#	\$589
<b>C745</b>	60"W x 15"D x 36"H	103#	\$627
<b>C746</b>	66"W x 15"D x 36"H	108#	\$664
* <b>C747</b>	72"W x 15"D x 36"H	115#	\$703

### FLIPPER DOOR OVERHEAD WITH SOFT CLOSE FEATURE

- Sold as a complete overhead unit.
- Enhanced safety feature ensures controlled movement with pneumatic cylinder.
- Same specifications as Overhead Flipper Door.

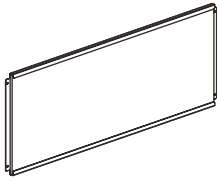


Soft Close Feature

Model No.	Dimensions	Wt.	List Price
<b>C763</b>	48"W x 15"D x 36"H	85#	\$724
<b>C764</b>	54"W x 15"D x 36"H	88#	\$814
<b>C765</b>	60"W x 15"D x 36"H	103#	\$852
<b>C766</b>	66"W x 15"D x 36"H	108#	\$889
<b>C767</b>	72"W x 15"D x 36"H	115#	\$928

**FABRIC TACK PANEL FOR OVERHEAD**

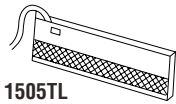
- Tack panel attaches to overhead flipper door unit and overhead shelf.
- Steel frame for mounting included.
- Optional tack panel provides space at top and bottom for cabling.
- Choose fabric selection on page 51.



Model No.	Dimensions	Wt.	List Price
<b>C863</b>	45"W x 1/2"D x 17"H	21#	\$172
<b>C864</b>	51"W x 1/2"D x 17"H	22#	\$179
<b>C865</b>	57"W x 1/2"D x 17"H	23#	\$184
<b>C866</b>	63"W x 1/2"D x 17"H	25#	\$191
* <b>C867</b>	69"W x 1/2"D x 17"H	27#	\$199

**TASK LIGHTING**

- Task lighting attaches to overhead flipper door unit and overhead shelf.
- Uses energy efficient 15W T8 bulb.
- Includes the diffuser lens.



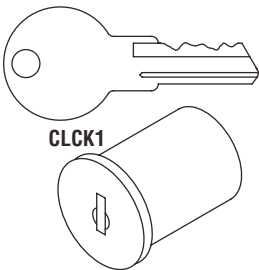
Model No.	Dimensions	Wt.	List Price
* <b>1505TL</b>	20"W x 8"D x 2"H	7#	\$207

*Available in Black Only.*

**KEYED ALIKE LOCK TUMBLERS**

Please read carefully to facilitate proper ordering or call customer service at 1-800-822-8037 for assistance.

CSII pedestals ship with randomly numbered locks already installed. CSII overheads ship with randomly numbered paired locks (per overhead). To key alike suites of product order the appropriate quantity of like numbered core kits for each workstation. Removable Core Kits include one core, two keys, one core removal tool and instructions.

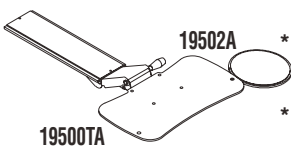


Model No.	Description	Wt.	List Price
<b>CLCK1</b>	Removable Lock Core Kit	1#	\$24
<b>CLCK2</b>	Removable Lock Core Kit	1#	\$24
<b>CLCK3</b>	Removable Lock Core Kit	1#	\$24
<b>CLCK4</b>	Removable Lock Core Kit	1#	\$24
<b>CLCK5</b>	Removable Lock Core Kit	1#	\$24
<b>CMKEY</b>	Master Key	1#	\$14

*Available in Silver Only.*

**Note:** Tumblers are specific to CSII peds, CSII overheads and "P" style peds.

**KEYBOARD SUPPORTS**

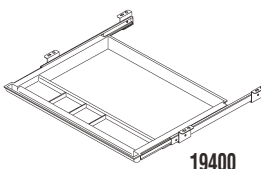


Model No.	Description	Wt.	List Price
* <b>19500TA</b>	Retractable keyboard platform 19 1/2"W x 11"D. +15° to -15° tilt, 360° swivel.	12#	\$282
* <b>19502A</b>	Optional Mouse Platform for 19500TA, +15° to -15° tilt, 360° swivel, 8"W x 9"D	2#	\$104

*Available in Black Only.*

**PENCIL DRAWER**

- Attaches to underside of worksurface.
- Full extension slides.

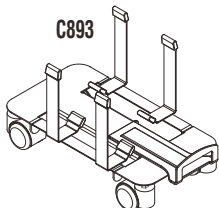


Model No.	Dimensions	Wt.	List Price
* <b>19400</b>	21"W x 16"D x 2"H	4#	\$59

*Available in Black Only.*

**CPU DOLLY**

- Automatically adjusts to support CPUs up to 9" wide.
- Adjustable base handle accommodates CPUs of any depth.
- Rolls easily on four 2" double casters to facilitate access to cables, ports, and drives.

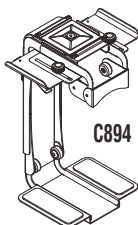


Model No.	Dimensions	Wt.	List Price
<b>C893</b>	8 1/2"W x 15"D x CPU height plus 3 3/4"	10#	\$149

Available in Black Only.

**CPU HOLDER**

- Easily adjusts to fit CPUs 3"-9 1/2" wide and 12"-22" tall.
- Slides easily and smoothly on nylon glides on 16" track.
- Designed to easily support CPUs weighing up to 70 lbs.
- Rotates a full 360° for complete access to cables and ports.

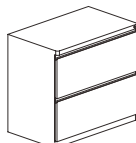


Model No.	Dimensions	Wt.	List Price
<b>C894</b>	CPU width plus 3 1/2" x 16"D x CPU height plus 4 1/2"	20#	\$209

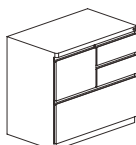
Available in Black Only.

**FREESTANDING STORAGE**

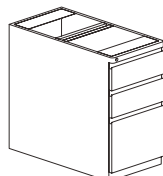
- Full width "J" style pulls.
- Locks standard.
- Can stand alone or slide under a credenza or return.
- Full extension ball bearing slides.
- Features adjustable leveling glides.
- Supports letter and legal file widths.



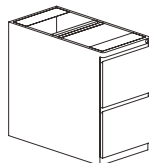
C840



C870



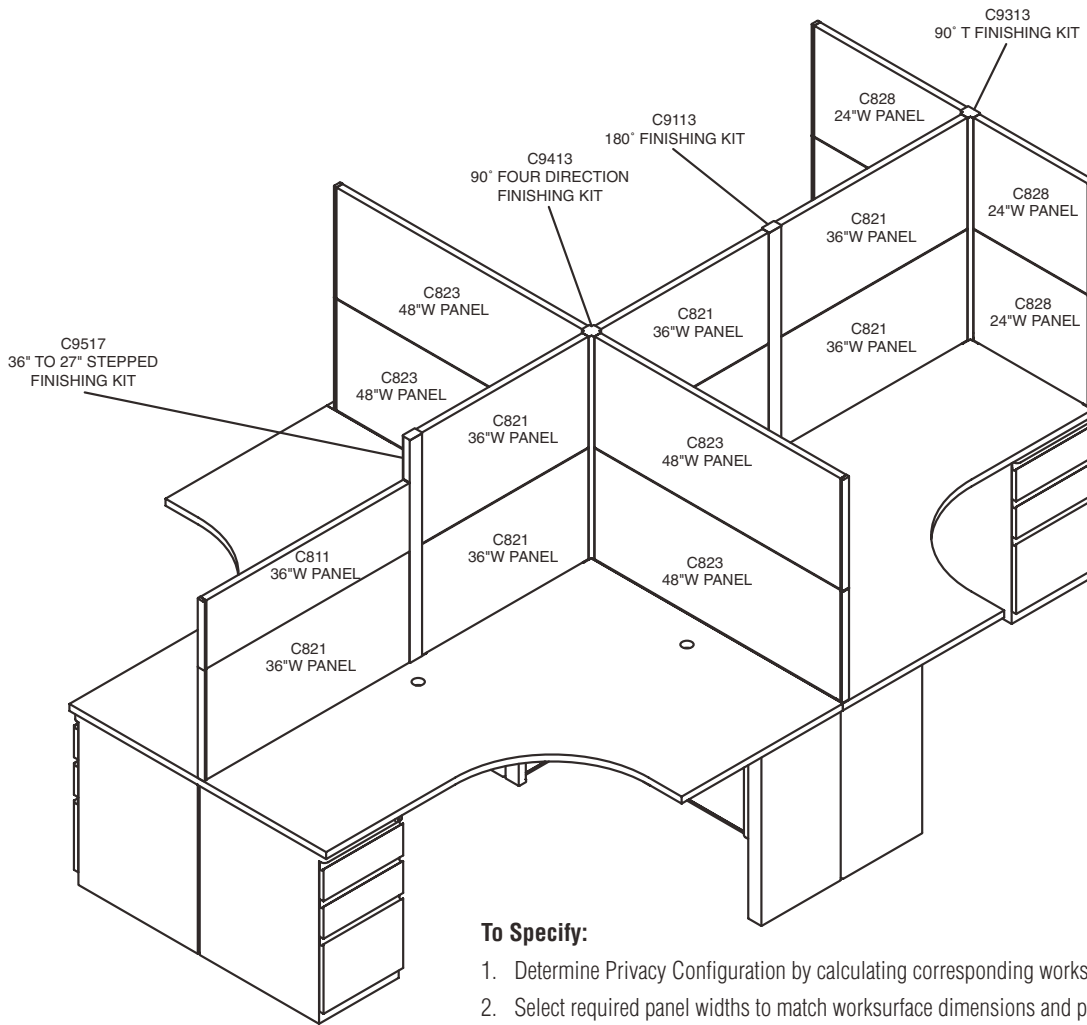
C8830B



C8824F

Model No.	Dimensions	Wt.	List Price
<b>C840</b>	30"W x 19 5/8"D x 27 1/4"H - Lateral File	125#	\$569
* <b>C841</b>	36"W x 19 5/8"D x 27 1/4"H - Lateral File	134#	\$639
<b>C870</b>	30"W x 19 5/8"D x 27 1/4"H - Personal Filing Center (Combo)	130#	\$729
<b>C8817B</b>	15"W x 17 1/2"D x 28"H - <b>B/B/F</b>	50#	\$399
<b>C8817F</b>	15"W x 17 1/2"D x 28"H - <b>F/F</b>	48#	\$399
<b>C8824B</b>	15"W x 24"D x 28"H - <b>B/B/F</b>	65#	\$414
<b>C8824F</b>	15"W x 24"D x 28"H - <b>F/F</b>	60#	\$414
<b>C8830B</b>	15"W x 30"D x 28"H - <b>B/B/F</b>	75#	\$427
<b>C8830F</b>	15"W x 30"D x 28"H - <b>F/F</b>	67#	\$427
<b>C8817M</b>	17"D - Mobile Kit	28#	\$56
<b>C8824M</b>	24"D - Mobile Kit	31#	\$58
<b>C8830M</b>	30"D - Mobile Kit	34#	\$60

**STACKABLE PRIVACY PANELS**

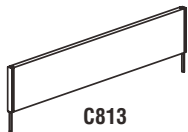


**To Specify:**

1. Determine Privacy Configuration by calculating corresponding worksurface dimensions.
2. Select required panel widths to match worksurface dimensions and panel height for desired privacy level.
3. Determine finishing kits required based on overall panel height and connection method.
4. Determine desired finishing kit color. (Matches Corporate Laminate T-mold offering) and desired fabric.

**STACKABLE PRIVACY PANELS**

Stackable Privacy Panels are mounted to the worksurface and are available in either 9\"/>



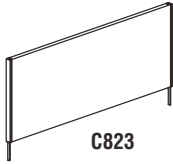
**• 9\"/>**

Model No.	Dimensions	Wt.	List Price
<b>C818</b>	9\"/>	7#	\$294
<b>C810</b>	9\"/>	8#	\$302
<b>C819</b>	9\"/>	9#	\$308
<b>C811</b>	9\"/>	10#	\$316
<b>C812</b>	9\"/>	11#	\$323
<b>C813</b>	9\"/>	12#	\$331

**• 9\"/>**

<b>C838</b>	9\"/>	4#	\$287
<b>C830</b>	9\"/>	5#	\$302
<b>C839</b>	9\"/>	6#	\$309
<b>C831</b>	9\"/>	7#	\$316
<b>C832</b>	9\"/>	8#	\$338
<b>C833</b>	9\"/>	9#	\$351

• 18" High Stackable Fabric Panels

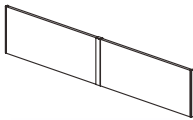


<b>C828</b>	18"H x 24"W x 1 1/4"D	15#	\$357
<b>C820</b>	18"H x 30"W x 1 1/4"D	16#	\$317
<b>C829</b>	18"H x 33"W x 1 1/4"D	17#	\$377
<b>C821</b>	18"H x 36"W x 1 1/4"D	18#	\$395
<b>C822</b>	18"H x 42"W x 1 1/4"D	19#	\$408
<b>C823</b>	18"H x 48"W x 1 1/4"D	20#	\$415

• 18" High Stackable Dry Erase Panels

<b>C858</b>	18"H x 24"W x 1 1/4"D	10#	\$364
<b>C850</b>	18"H x 30"W x 1 1/4"D	11#	\$386
<b>C859</b>	18"H x 33"W x 1 1/4"D	12#	\$401
<b>C851</b>	18"H x 36"W x 1 1/4"D	13#	\$412
<b>C852</b>	18"H x 42"W x 1 1/4"D	14#	\$437
<b>C853</b>	18"H x 48"W x 1 1/4"D	15#	\$460

**STACKABLE PRIVACY PANEL FINISHING KITS**



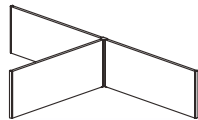
Privacy Panel shown with 180° finishing kit

Model No.	Description	Wt.	List Price
<b>C9111</b>	180° Privacy Panel Finishing Kit - 18"H	2#	\$34
<b>C9112</b>	180° Privacy Panel Finishing Kit - 27"H	3#	\$45
<b>C9113</b>	180° Privacy Panel Finishing Kit - 36"H	4#	\$57



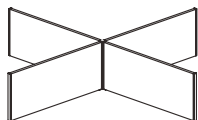
Privacy Panel shown with 90° Two Direction finishing kit

<b>C9211</b>	90° Two direction Privacy Panel Finishing Kit - 18"H	2#	\$38
<b>C9212</b>	90° Two direction Privacy Panel Finishing Kit - 27"H	3#	\$49
<b>C9213</b>	90° Two direction Privacy Panel Finishing Kit - 36"H	4#	\$59



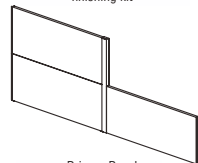
Privacy Panel shown with 90° "T" Connection finishing kit

<b>C9311</b>	90° "T" Connection Privacy Panel Finishing Kit - 18"H	3#	\$42
<b>C9312</b>	90° "T" Connection Privacy Panel Finishing Kit - 27"H	4#	\$55
<b>C9313</b>	90° "T" Connection Privacy Panel Finishing Kit - 36"H	5#	\$65



Privacy Panel shown with 90° Four Direction finishing kit

<b>C9411</b>	90° Four direction Privacy Panel Finishing Kit - 18"H	3#	\$46
<b>C9412</b>	90° Four direction Privacy Panel Finishing Kit - 27"H	4#	\$59
<b>C9413</b>	90° Four direction Privacy Panel Finishing Kit - 36"H	5#	\$71



Privacy Panel shown with Stepped Height finishing kit

<b>C9512</b>	Stepped Height Privacy Panel Finishing Kit - Stepped 18"-27"H	3#	\$65
<b>C9513</b>	Stepped Height Privacy Panel Finishing Kit - Stepped 18"-36"H	4#	\$78
<b>C9517</b>	Stepped Height Privacy Panel Finishing Kit - Stepped 27"-36"H	5#	\$95

**HOW TO ORDER CSII PRIVACY PANEL FABRIC SCREENS**

**FABRIC SCREEN OPTIONS**

When ordering fabric screens, use the code at right to indicate your fabric option:

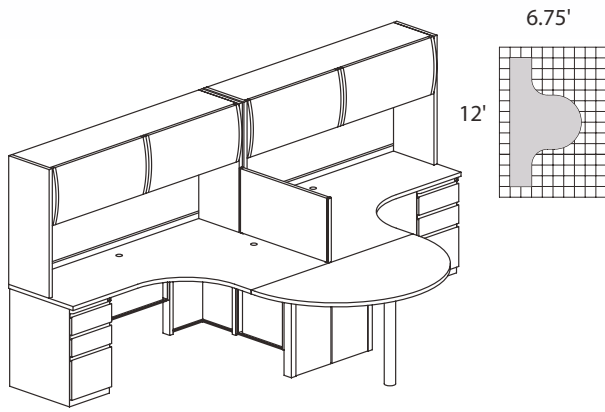
C 8 2 8	C R A
Product Code	Fabric Option

Any additional Guilford of Maine fabrics are available with a maximum 4-week production lead time for a nominal upcharge. Contact a Mayline Group customer service representative for more information.

**Corporate Fabrics**

Fabric Color	Order Code
<b>Spinel</b>	
Tiger Eye	STY
Sand Stone	SSS
Guilden	SGL
<b>Lido</b>	
Balboa	BAL
Heartland	LHL
Bryce Canyon	LBC
<b>Mingle</b>	
Crystal	MCT
Khaki	MHK
Biscuit	MBT
<b>Cross Town</b>	
Buff	CBF
Ray	CRA
Fieldstone	CFS
<b>Anchorage</b>	
Goose	AGS
<b>Bailey</b>	
Khaki	BKH
<b>Hopscotch</b>	
Fieldstone	HFS

# CSII TYPICALS

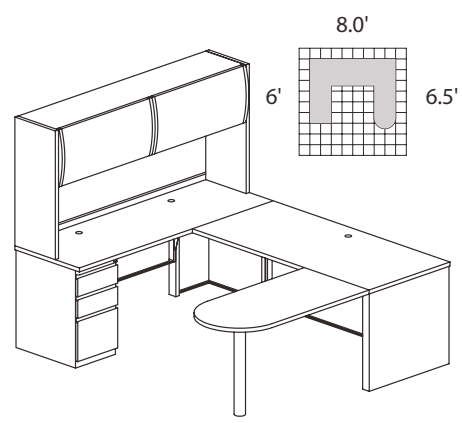


**CSII TYPICAL #1**

Consists of:

MODEL NO.	DESCRIPTION	LIST PRICE
<b>C343L1</b>	J Table 72"W x 48"D x 30"H Ret. Left w/One B/B/F	\$1,125
<b>C343R1</b>	J Table 72"W x 48"D x 30"H Ret. Right w/One B/B/F	\$1,125
<b>C829</b>	Stackable Fabric Panel 18"H x 33"W	\$377
<b>C747</b>	Flipper Door Overhead Unit 72"W x 15"D x 36"H	\$703
<b>C747</b>	Flipper Door Overhead Unit 72"W x 15"D x 36"H	\$703
<b>C515</b>	Team Table 60"W x 31"H	\$469
<b>C867</b>	Fabric Tack Panel for Overhead 69 1/4"W x 17"H	\$199
<b>C867</b>	Fabric Tack Panel for Overhead 69 1/4"W x 17"H	\$199

**CST1** **TOTAL: \$4,900**

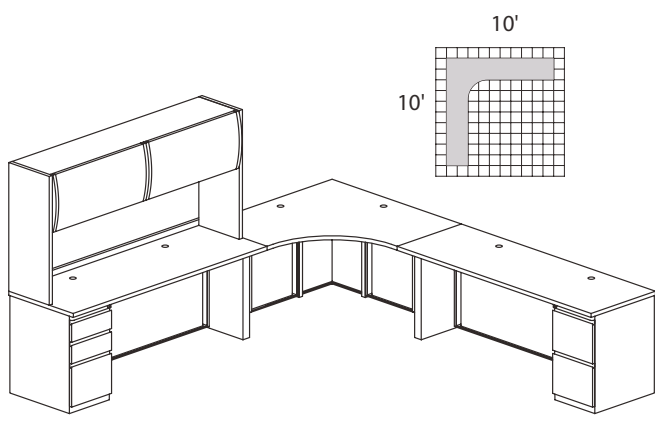


**CSII TYPICAL #2**

Consists of:

MODEL NO.	DESCRIPTION	LIST PRICE
<b>C1171</b>	Credenza 72"W x 24"D w/One B/B/F	\$865
<b>C2576</b>	Return 72"W x 30"D	\$594
<b>C673</b>	Peninsula Table 48"W x 24"D	\$447
<b>C747</b>	Flipper Door Overhead Unit 72"W x 15"D x 36"H	\$703
<b>C867</b>	Fabric Tack Panel for Overhead 69 1/4"W x 17"H	\$199

**CST2** **TOTAL: \$2,808**

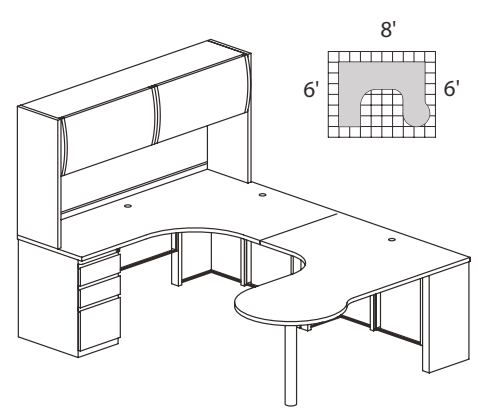


**CSII TYPICAL #3**

Consists of:

MODEL NO.	DESCRIPTION	LIST PRICE
<b>C542</b>	Corner Desk 24"D x 42"W x 42"W x 24"D	\$610
<b>C2471</b>	Return 72"W x 24"D w/One B/B/F	\$841
<b>C2473</b>	Return 72"W x 24"D w/One F/F	\$841
<b>C747</b>	Flipper Door Overhead Unit 72"W x 15"D x 36"H	\$703
<b>C867</b>	Fabric Tack Panel for Overhead 69 1/4"W x 17"H	\$199

**CST3** **TOTAL: \$3,194**



**CSII TYPICAL #4**

Consists of:

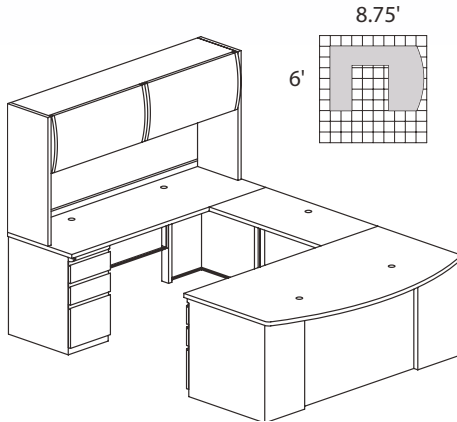
MODEL NO.	DESCRIPTION	LIST PRICE
<b>C343R1</b>	J Table 72"W x 48"D x 30"H Ret. Right w/One B/B/F	\$1,125
<b>C483L</b>	P Table 72"W x 48"D x 30"H Ret. Left w/Conference End	\$895
<b>C747</b>	Flipper Door Overhead Unit 72"W x 15"D x 36"H	\$703
<b>C867</b>	Fabric Tack Panel for Overhead 69 1/4"W x 17"H	\$199

**CST4** **TOTAL: \$2,922**



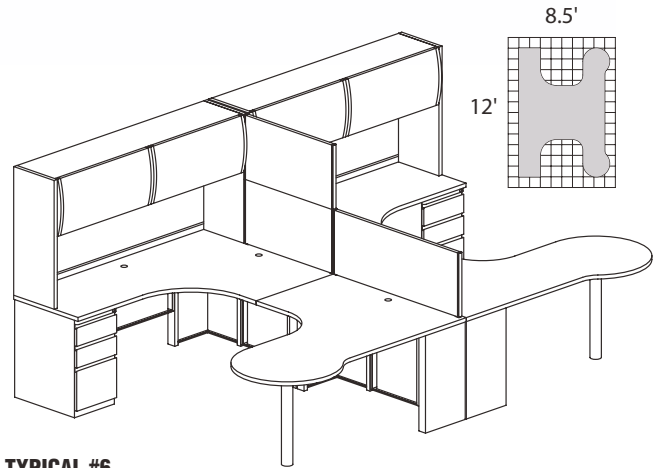
# CSII TYPICALS

Mayline Customer Service: 1-800-822-8037



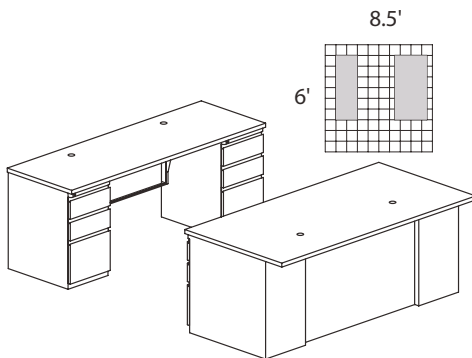
**CSII TYPICAL #5**

Consists of:		
MODEL NO.	DESCRIPTION	LIST PRICE
C1971	Bowfront Desk 72"W x 39"D w/ One B/B/F	\$993
C282T	Straight Bridge 42"W x 21"D	\$257
C1171	Credenza 72"W x 24"D w/ One B/B/F	\$865
C747	Flipper Door Overhead Unit 72"W x 15"D x 36"H	\$703
C867	Fabric Tack Panel for Overhead 69 1/4"W x 17"H	\$199
<b>CST5</b>	<b>TOTAL:</b>	<b><u>\$3,017</u></b>



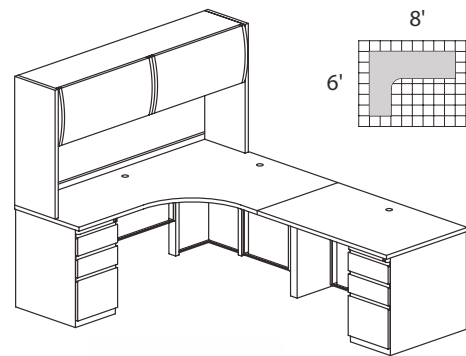
**CSII TYPICAL #6**

Consists of:		
MODEL NO.	DESCRIPTION	LIST PRICE
C343L1	J Table 72"W x 48"D x 30"H Ret. Left w/ One B/B/F	\$1,125
C343R1	J Table 72"W x 48"D x 30"H Ret. Right w/ One B/B/F	\$1,125
C483L	P Table 72"W x 48"D x 30"H Ret. Left w/ Conf. End	\$895
C483R	P Table 72"W x 48"D x 30"H Ret. Right w/ Conf. End	\$895
C747	Flipper Door Overhead Units 72"W x 15"D x 36"H	\$703
C747	Flipper Door Overhead Units 72"W x 15"D x 36"H	\$703
C867	Fabric Tack Panels for Overhead 69 1/4"W x 17"H	\$199
C867	Fabric Tack Panels for Overhead 69 1/4"W x 17"H	\$199
1505TL	Optional Task Lights	\$207
1505TL	Optional Task Lights	\$207
1505TL	Optional Task Lights	\$207
1505TL	Optional Task Lights	\$207
C829	Stackable Fabric Panels 33"W x 18"H	\$377
C829	Stackable Fabric Panels 33"W x 18"H	\$377
C823	Stackable Fabric Panel 48"W x 18"H	\$415
C9513	Stepped Height Privacy Panel Finishing Kit	\$78
<b>CST6</b>	<b>TOTAL:</b>	<b><u>\$7,919</u></b>



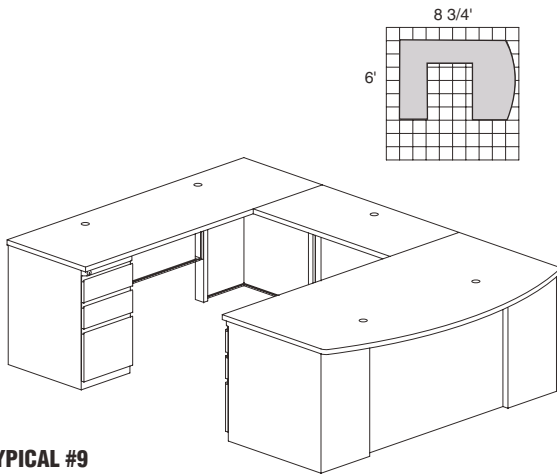
**CSII TYPICAL #7**

Consists of:		
MODEL NO.	DESCRIPTION	LIST PRICE
C1675	Desk 72"W x 36"D w/One B/B/F and One F/F	\$1,263
C1172	Credenza 72"W x 24"D w/Two B/B/F	\$1,194
<b>CST7</b>	<b>TOTAL:</b>	<b><u>\$2,457</u></b>



**CSII TYPICAL #8**

Consists of:		
MODEL NO.	DESCRIPTION	LIST PRICE
C343R1	J Table 72"W x 48"D x 30" Ret. Right w/ One B/B/F	\$1,125
C2531	Return 48"W x 30"D w/ One B/B/F	\$752
C747	Flipper Door Overhead Unit 72"W x 15"D x 36"H	\$703
C867	Fabric Tack Panel for Overhead 69 1/4"W x 17"H	\$199
<b>CST8</b>	<b>TOTAL:</b>	<b><u>\$2,779</u></b>

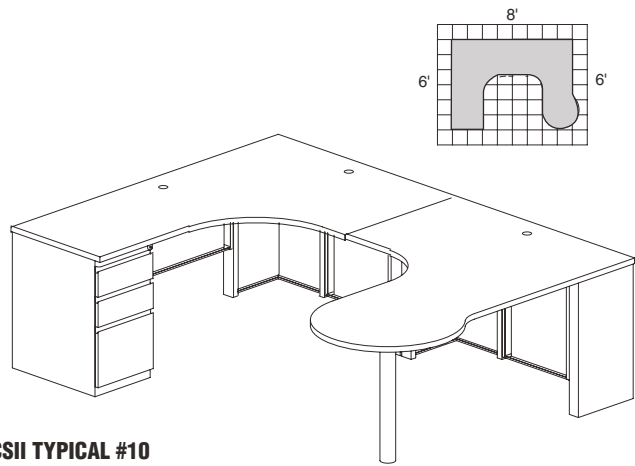


**CSII TYPICAL #9**

Consists of:

MODEL NO.	DESCRIPTION	LIST PRICE
C1971	Bowfront Desk 72"W x 39"D w/One B/B/F	\$993
C1171	Credenza 72"W x 24"D w/One B/B/F	\$865
C282T	Straight Bridge 42"W x 24"D	\$257

**CST9 TOTAL: \$2,115**

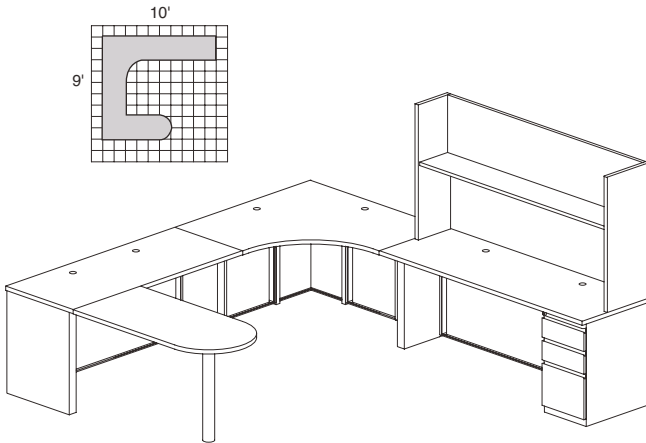


**CSII TYPICAL #10**

Consists of:

MODEL NO.	DESCRIPTION	LIST PRICE
C343R1	J Table 72"W x 48"D x 30"D Ret. Right w/One B/B/F	\$1,125
C483L	P Table 72"W x 48"D x 30"D Ret. Left w/Conf. End	\$895

**CST10 TOTAL: \$2,020**

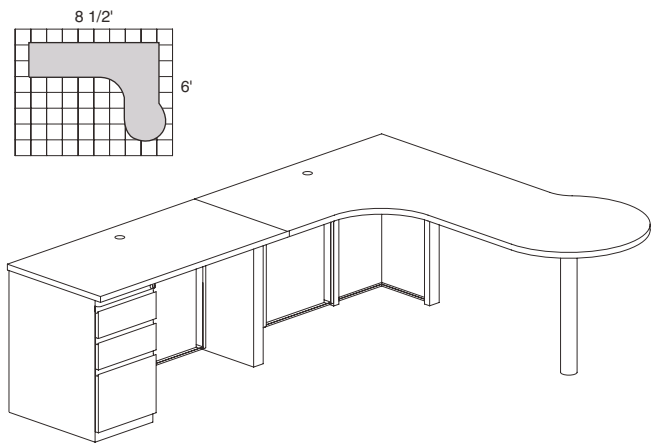


**CSII TYPICAL #11**

Consists of:

MODEL NO.	DESCRIPTION	LIST PRICE
C583	Corner Desk 24"D x 48"W x 48"W x 24"D	\$718
C2471	Return 72"W x 24"D w/One B/B/F	\$841
C2456	Return 60"W x 24"D	\$459
C673	Peninsula Table 48"W x 24"D	\$447
C777	Overhead Open Shelf 72"W x 14"D x 36"H	\$357
C867	Fabric Tack Panel for Overhead 69"W x 1/2"D x 17"H	\$199

**CST11 TOTAL: \$3,021**



**CSII TYPICAL #12**

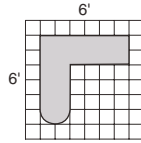
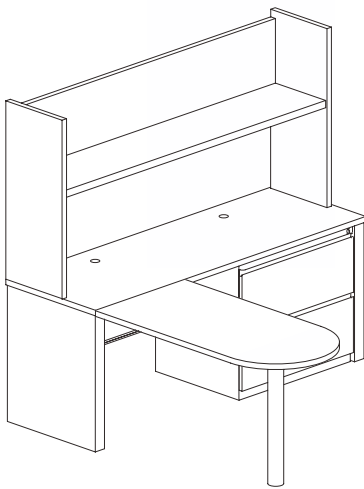
Consists of:

MODEL NO.	DESCRIPTION	LIST PRICE
C413L	P Table 72"W x 48"D x 24"D Ret. w/Conference End	\$895
C2431	Return 48"W x 24"D w/One B/B/F	\$712

**CST12 TOTAL: \$1,607**

# CSII TYPICALS

Mayline Customer Service: 1-800-822-8037



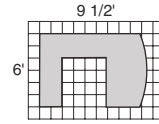
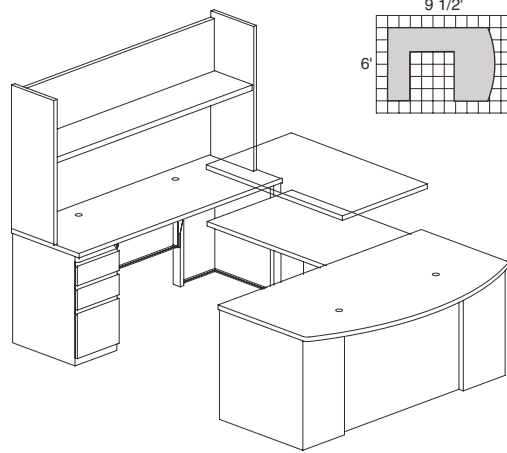
**CSII TYPICAL #13**

Consists of:

MODEL NO.	DESCRIPTION	LIST PRICE
C1176	Credenza 72"W x 24"D	\$536
C673	Peninsula 48"W x 24"D	\$447
C840	Lateral File 30"W	\$569
C777	Overhead Open Shelf 72"W x 14"D x 36"H	\$357
C867	Fabric Tack Panel for Overhead 69"W x 1/2"D x 17"H	\$199

**CST13**

**TOTAL: \$2,108**



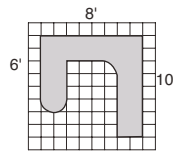
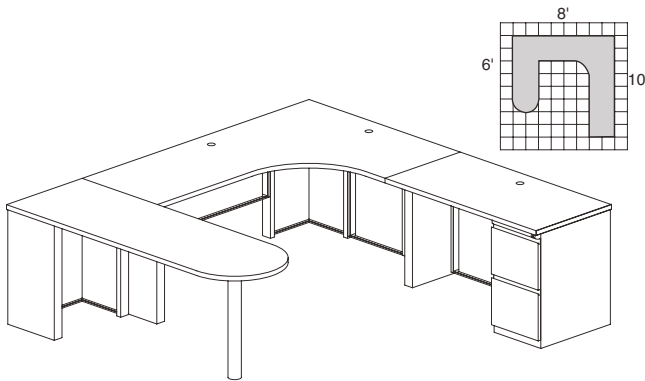
**CSII TYPICAL #14**

Consists of:

MODEL NO.	DESCRIPTION	LIST PRICE
C1971	Bowfront Desk 72"W x 39"D w/One B/B/F	\$993
C1171	Credenza 72"W x 24"D w/One B/B/F	\$865
C48A	Height Adjustable Bridge 48"W x 24"D	\$1,432
C777	Overhead Open Shelf 72"W x 14"D x 36"H	\$357
C867	Fabric Tack Panel for Overhead 69"W x 1/2"D x 17"H	\$199

**CST14**

**TOTAL: \$3,846**



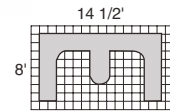
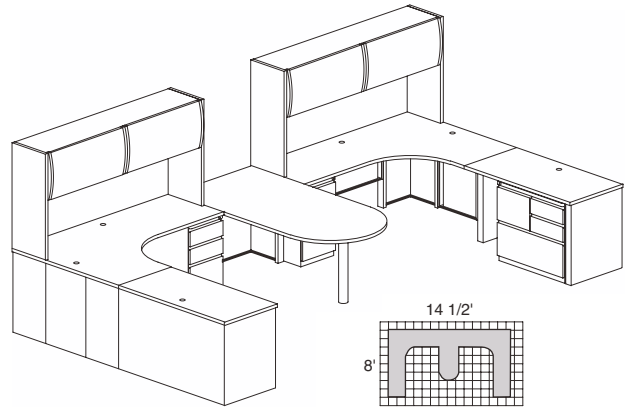
**CSII TYPICAL #15**

Consists of:

MODEL NO.	DESCRIPTION	LIST PRICE
C313R6	J Table 72"W x 48"D x 24"D Return Right	\$885
C627	Peninsula Table 72"W x 24"D	\$1,048
C2433	Return 48"W x 24"D w/One F/F	\$712

**CST15**

**TOTAL: \$2,645**



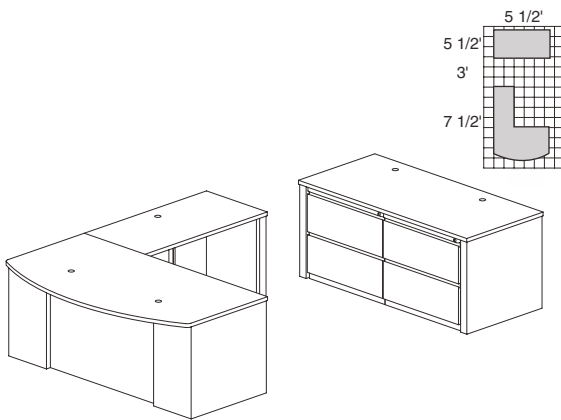
**CSII TYPICAL #16**

Consists of:

MODEL NO.	DESCRIPTION	LIST PRICE
C313R1	J Table 72"W x 48"D x 24"D Ret. Right w/One B/B/F	\$1,125
C313L1	J Table 72"W x 48"D x 24"D Ret. Left w/One B/B/F	\$1,125
C2436	Return 48"W x 24"D	\$383
C2436	Return 48"W x 24"D	\$383
C647	Peninsula Table 72"W x 36"D	\$1,202
C870	Personal Filing Center 30"W	\$729
C870	Personal Filing Center 30"W	\$729
C747	Flipper Door Overhead Unit 72"W x 15"D x 36"H	\$703
C747	Flipper Door Overhead Unit 72"W x 15"D x 36"H	\$703
C867	Fabric Tack Panel for Overhead 69"W x 1/2"D x 17"H	\$199
C867	Fabric Tack Panel for Overhead 69"W x 1/2"D x 17"H	\$199

**CST16**

**TOTAL: \$7,480**

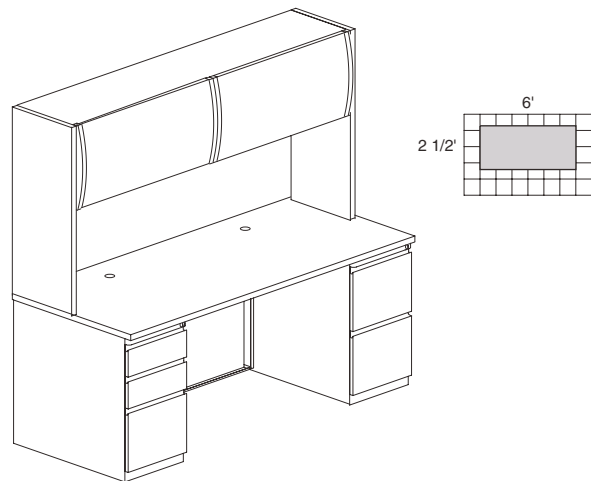


**CSII TYPICAL #17**

Consists of:

MODEL NO.	DESCRIPTION	LIST PRICE
<b>C1366</b>	Desk 66"W x 30"D	\$529
<b>C1961</b>	Bowfront Desk 66"W x 39"D w/One B/B/F	\$975
<b>C2436</b>	Return 48"W x 24"D	\$383
<b>C840</b>	Lateral File 30"W	\$569
<b>C840</b>	Lateral File 30"W	\$569

**CST17** **TOTAL: \$3,025**

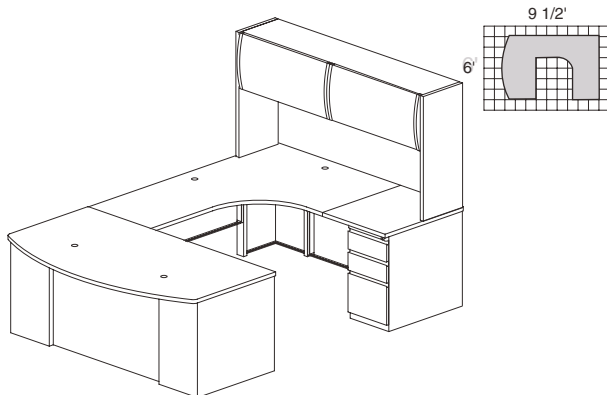


**CSII TYPICAL #18**

Consists of:

MODEL NO.	DESCRIPTION	LIST PRICE
<b>C1375</b>	Desk 72"W x 30"D w/One B/B/F and One F/F	\$1,217
<b>C747</b>	Flipper Door Overhead Unit 72"W x 15"D x 36"H	\$703
<b>C867</b>	Fabric Tack Panel for Overhead 69"W x 1/2"D x 17"H	\$199

**CST18** **TOTAL: \$2,119**

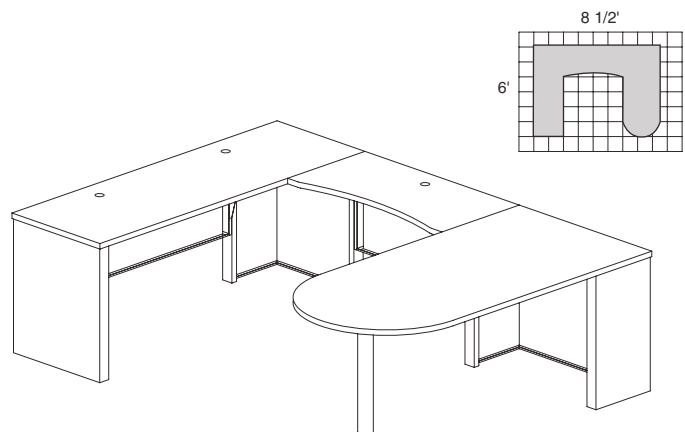


**CSII TYPICAL #19**

Consists of:

MODEL NO.	DESCRIPTION	LIST PRICE
<b>C1971</b>	Bowfront Desk 72"W x 39"D w/One B/B/F	\$993
<b>C343R6</b>	J Table 72"W x 48"D x 30"D Return Right	\$885
<b>C2581</b>	Return 24"W x 30"D w/One B/B/F	\$656
<b>C747</b>	Flipper Door Overhead Unit 72"W x 15"D x 36"H	\$703
<b>C867</b>	Fabric Tack Panel for Overhead 69"W x 1/2"D x 17"H	\$199

**CST19** **TOTAL: \$3,436**



**CSII TYPICAL #20**

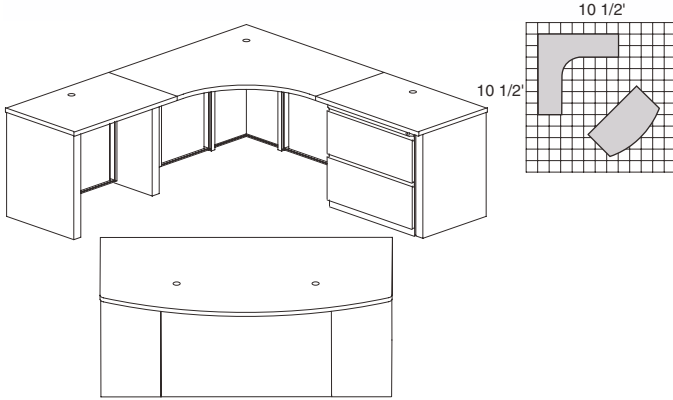
Consists of:

MODEL NO.	DESCRIPTION	LIST PRICE
<b>C1176</b>	Credenza 72"W x 24"D	\$536
<b>C637</b>	Peninsula 72"W x 30"D	\$1,092
<b>C293T</b>	Contoured Bridge 48"W x 24"D w/Tall Modesty Panel	\$281

**CST20** **TOTAL: \$1,909**

# CSII TYPICALS

Mayline Customer Service: 1-800-822-8037

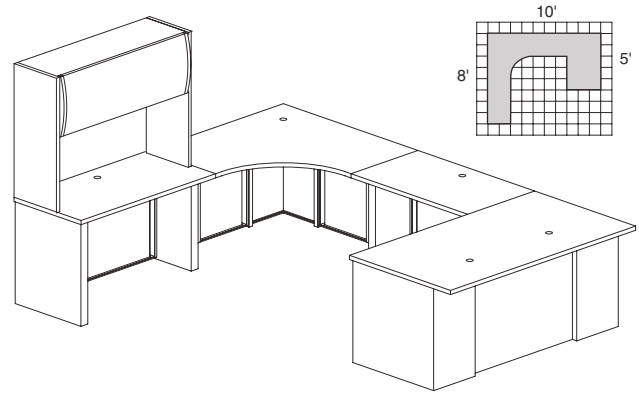


**CSII TYPICAL #21**

Consists of:

MODEL NO.	DESCRIPTION	LIST PRICE
C583	Corner Desk 24"D x 48"W x 48"W x 24"D	\$718
C2416	Return 36"W x 24"D	\$335
C2416	Return 36"W x 24"D	\$335
C1974	Bowfront Desk 72"W x 39"D w/Two F/F	\$1,347
C840	Lateral File 30"W	\$569

**CST21 TOTAL: \$3,304**

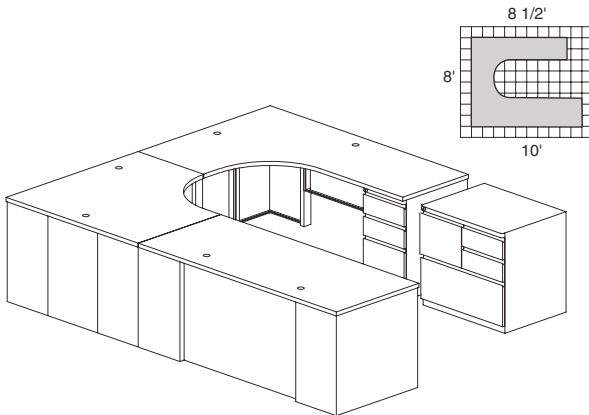


**CSII TYPICAL #22**

Consists of:

MODEL NO.	DESCRIPTION	LIST PRICE
C583	Corner Desk 24"D x 48"W x 48"W x 24"D	\$718
C1656	Desk 60"W x 36"D	\$503
C281T	Straight Bridge 36"W x 24"D w/Tall Modesty Panel	\$243
C743	Flipper Door Overhead Unit 48"W x 15"D x 36"H	\$499
C863	Fabric Tack Panel for Overhead 45"W x 17"H	\$172

**CST22 TOTAL: \$2,135**

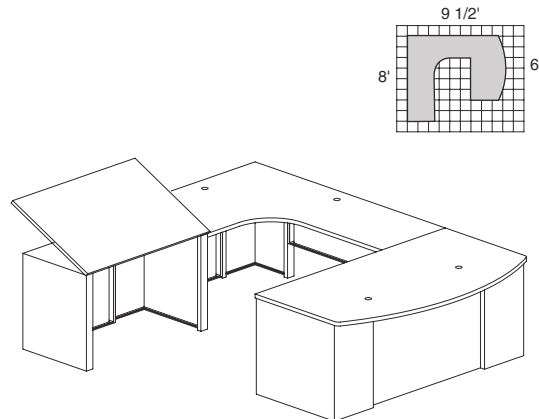


**CSII TYPICAL #23**

Consists of:

MODEL NO.	DESCRIPTION	LIST PRICE
C1376	Desk 72"W x 30"D	\$538
C313L1	J Table 72"W x 48"D x 24"D Ret. Left w/One B/B/F	\$1,125
C613	Corner Desk 30"D x 48"W x 48"W x 24"D	\$718
C870	Personal Filing Center 30"W	\$729

**CST23 TOTAL: \$3,110**



**CSII TYPICAL #24**

Consists of:

MODEL NO.	DESCRIPTION	LIST PRICE
C1971	Bowfront Desk 72"W x 39"D w/One B/B/F	\$993
C343L6	J Table 72"W x 48"D x 30"D Return Left	\$885
C48T	Tilt Top Table 48"W x 30"D	\$899

**CST24 TOTAL: \$2,777**

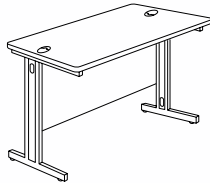
# COMMUNICATION STATION® FREESTANDING WORKTABLES

GSA Schedule  
Contract GS-29F-0129G

Mayline Customer Service: 1-800-822-8037

## FREESTANDING WORKTABLES

As a courtesy to our customers, Mayline has carried over a select group of Communication Station Free Standing Worktables for stand-alone applications. Please refer back to the CSII section of the price list for all desking accessories and storage features. There is one wire management grommet at each end of 42", 48", 60" and 72" wide worktables and a wire port in each leg upright. Modesty panel included. Legs are universal, left and right.

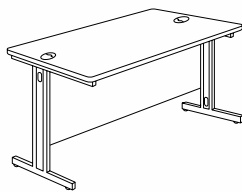


24" deep worktables—desk height

Model No.	Dimensions	Wt.	List Price
<b>243029*</b>	30"W x 24"D x 29 1/2"H	56#	\$458
<b>2430S9*</b>	30"W x 24"D x 29 1/2"H (Short Leg)**	56#	\$458
<b>243629*</b>	36"W x 24"D x 29 1/2"H	62#	\$487
<b>2436S9*</b>	36"W x 24"D x 29 1/2"H (Short Leg)**	62#	\$487
<b>244229</b>	42"W x 24"D x 29 1/2"H	69#	\$532
<b>2442S9</b>	42"W x 24"D x 29 1/2"H (Short Leg)**	69#	\$532
<b>244829</b>	48"W x 24"D x 29 1/2"H	76#	\$561
<b>2448S9</b>	48"W x 24"D x 29 1/2"H (Short Leg)**	76#	\$561
<b>246029</b>	60"W x 24"D x 29 1/2"H	91#	\$635
<b>2460S9</b>	60"W x 24"D x 29 1/2"H (Short Leg)**	91#	\$635
<b>247229</b>	72"W x 24"D x 29 1/2"H	107#	\$711
<b>2472S9</b>	72"W x 24"D x 29 1/2"H (Short Leg)**	107#	\$711

\* No grommet on 30" and 36" widths. 30" wide worktables will not accept any keyboard options

\*\* (one short leg, one standard leg)

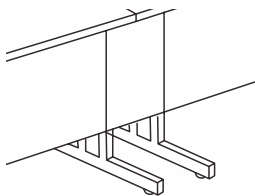


30" deep worktables—desk height

Model No.	Dimensions	Wt.	List Price
<b>303029*</b>	30"W x 30"D x 29 1/2"H	63#	\$480
<b>3030S9*</b>	30"W x 30"D x 29 1/2"H (Short Leg)**	63#	\$480
<b>303629*</b>	36"W x 30"D x 29 1/2"H	70#	\$516
<b>3036S9*</b>	36"W x 30"D x 29 1/2"H (Short Leg)**	70#	\$516
<b>304229</b>	42"W x 30"D x 29 1/2"H	78#	\$561
<b>3042S9</b>	42"W x 30"D x 29 1/2"H (Short Leg)**	78#	\$561
<b>304829</b>	48"W x 30"D x 29 1/2"H	86#	\$615
<b>3048S9</b>	48"W x 30"D x 29 1/2"H (Short Leg)**	86#	\$615
<b>306029</b>	60"W x 30"D x 29 1/2"H	100#	\$684
<b>3060S9</b>	60"W x 30"D x 29 1/2"H (Short Leg)**	100#	\$684
<b>307229</b>	72"W x 30"D x 29 1/2"H	119#	\$779
<b>3072S9</b>	72"W x 30"D x 29 1/2"H (Short Leg)**	119#	\$779

\* No grommet on 30" and 36" widths. 30" wide worktables will not accept any keyboard options

\*\* (one short leg, one standard leg)

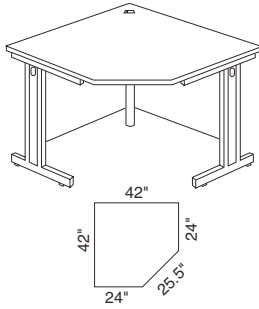


### Leg to Leg Cover

- Optional plate which hides cable as it passes from one leg to another.

Model No.	Dimensions	Wt.	List Price
<b>1025CV</b>	Leg to leg cover	3#	\$72

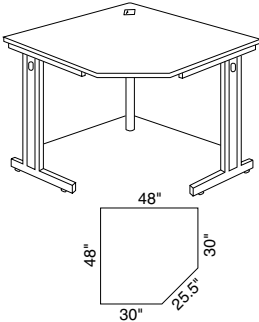
Corner units can be used as freestanding worktables or as part of a larger configuration. Connecting brackets included. Grommet is provided at rear of unit. Modesty panels are standard.



**Corner Units for 24" Deep Workstations**

Model No.	Dimensions	Wt.	List Price
<b>242229</b>	42"W x 24"D x 29 1/2"H	87#	\$846
<b>2422S9</b>	42"W x 24"D x 29 1/2"H (Short Leg)**	87#	\$846

\*\* (one short leg, one standard leg)

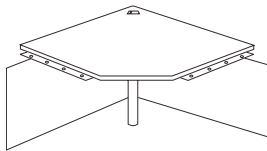


**Corner Units for 30" Deep Workstations**

Model No.	Dimensions	Wt.	List Price
<b>302129</b>	48"W x 30"D x 29 1/2"H	105#	\$870
<b>3021S9</b>	48"W x 30"D x 29 1/2"H (Short Leg)**	105#	\$870

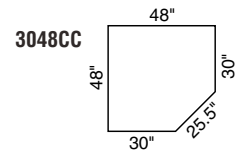
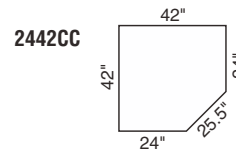
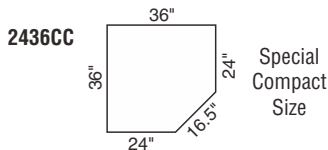
\*\* (one short leg, one standard leg)

**CORNER UNIT WITHOUT LEGS**



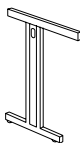
Corner unit without legs must attach to freestanding worktables on both sides. Two attaching flat brackets are included. Modesty panel included. **For 29 1/2" high worktables only. Will not accept 3000KB Keyboard Tray or 19500A Keyboard Tray.**

Model No.	Dimensions	Wt.	List Price
<b>2436CC</b>	Connects 24" to 24" depths – 36"W x 24"D x 29 1/2"H	80#	\$833
<b>2442CC</b>	Connects 24" to 24" depths – 42"W x 24"D x 29 1/2"H	95#	\$850
<b>3048CC</b>	Connects 30" to 30" depths – 48"W x 30"D x 29 1/2"H	115#	\$869



**SHORT BASE LEG ASSEMBLIES**

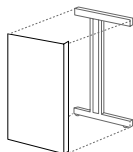
Leg assemblies may be used to create obstruction free leg room for complete mobility. Wire management included in each leg upright.



Model No.	Dimensions	Wt.	List Price
<b>24" Leg</b>			
<b>2429LB</b>	Fits 24"D x <b>29 1/2"H</b> worktables – 24"W x 29 1/2"H	16#	\$181
<b>30" Leg</b>			
<b>3029LB</b>	Fits 30"D x <b>29 1/2"H</b> worktables – 30"W x 29 1/2"H	20#	\$181

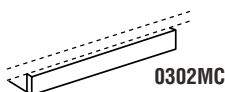


Panel end slides over existing leg and mounts to worksurface using existing metal inserts. **Panel end leg cover adapters cannot be used on short base leg assemblies or with any height adjustable worktable.**



Model No.	Dimensions	Wt.	List Price
<b>24" Deep</b>			
2400EP	Fits 24"D x 29 1/2"H worktables – 24"W x 28"H x 1 3/16"T	15#	\$190
<b>30" Deep</b>			
3000EP	Fits 30"D x 29 1/2"H worktables – 30"W x 28"H x 1 3/16"T	18#	\$190

**CENTER DRAWER**



- Metal construction with ball bearing progressive suspension and built-in compartment tray
- Non-locking

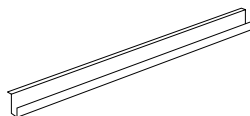
Model No.	Dimensions	Wt.	List Price
* 0302MC	21 1/2"W x 16 1/2"D x 2 1/2"H	12#	\$227

**ACCESSORIES**

**Wire Managers**

Mounts to any Communication Station worktable. Holds cabling neatly on the inside of the modesty panel. **Not to be used with Electrification System. Wire managers are available in black only.**

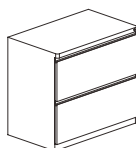
- 16 gauge steel channel
- Attaches under any 30"W worktable



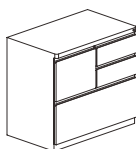
Model No.	Dimensions	Wt.	List Price
3030WM	Attaches to any 30"W worktable – 4"H x 3/4"D x 14 3/4"L	3#	\$48
3036WM	Attaches to any 36" or 42" worktable – 4"H x 3/4"D x 20 3/4"L	4#	\$55
3048WM	Attaches to any 48"W worktable – 4"H x 3/4"D x 32 3/4"L	4#	\$59
3060WM	Attaches to any 60"W worktable – 4"H x 3/4"D x 44 3/4"L	5#	\$72
3072WM	Attaches to any 72"W worktable – 4"H x 3/4"D x 54 3/4"L	5#	\$84

**FREESTANDING STORAGE**

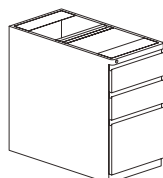
- Full width "J" style pulls.
- Locks standard.
- Can stand alone or slide under a credenza or return.
- Full extension ball bearing slides.
- Features adjustable leveling glides.
- Supports letter and legal file widths.



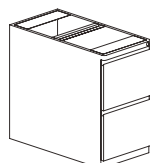
C840



C870



C8830B



C8824F

Model No.	Dimensions	Wt.	List Price
C840	30"W x 19 5/8"D x 27 1/4"H - Lateral File	125#	\$569
* C841	36"W x 19 5/8"D x 27 1/4"H - Lateral File	134#	\$639
C870	30"W x 19 5/8"D x 27 1/4"H - Personal Filing Center (Combo)	130#	\$729
C8817B	15"W x 17 1/2"D x 28"H - B/B/F	50#	\$399
C8817F	15"W x 17 1/2"D x 28"H - F/F	48#	\$399
C8824B	15"W x 24"D x 28"H - B/B/F	65#	\$414
C8824F	15"W x 24"D x 28"H - F/F	60#	\$414
C8830B	15"W x 30"D x 28"H - B/B/F	75#	\$427
C8830F	15"W x 30"D x 28"H - F/F	67#	\$427
C8817M	17"D - Mobile Kit	28#	\$56
C8824M	24"D - Mobile Kit	31#	\$58
C8830M	30"D - Mobile Kit	34#	\$60



# *Seating*

---



---

**Ultimo Leather Series  
Mercado Leather Series  
Mercado Wood Series  
Comfort Series  
Technical Series  
Stacking Chairs**

# ULTIMO LEATHER SERIES

Mayline Customer Service: 1-800-822-8037

Soft and supple top-grain leather defines these luxurious yet economical choices of seating for the office and conference room. Generous-sized deep cushions feature sculpted padding for support. Padded leather armrests add to comfort.

- Top grain cowhide leather on all seated surfaces.
- All meet or exceed ANSI/BIFMA standards.
- Free Freight on all seating orders.
- Some assembly required.
- Molded foam for plush, comfortable feel.
- 250 lb. rating.
- All Ultimo Chairs available on the 72-hour Kwik-Ship program.
- All Ultimo Chairs can ship via UPS.

**Free Freight**



## SERIES 100

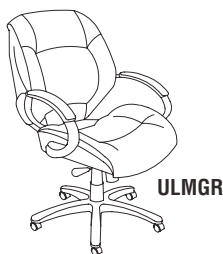
### HIGH-BACK



- Generously-sized sculpted deep cushions.
- Padded leather cantilevered armrests.
- Deluxe knee-tilt control.
- **Finishes:** Black/Gunmetal Gray Frame  
Burgundy/Gunmetal Gray Frame

Model No.	Outside Dimensions	Seated Area Dimensions	Seat Height	Wt.	List Price
* ULEX	31"W x 32"D x 48"-51"H	20"W x 20"D x 30"H	19"-22"	75#	\$899

### MID-BACK



- Sculpted cushions.
- Padded leather loop armrests.
- Deluxe knee-tilt control.
- **Finishes:** Black/Gunmetal Gray Frame  
Burgundy/Gunmetal Gray Frame

Model No.	Outside Dimensions	Seated Area Dimensions	Seat Height	Wt.	List Price
* ULMGR	27"W x 30"D x 39"-42"H	21"W x 20"D x 24"H	19"-22"	60#	\$759

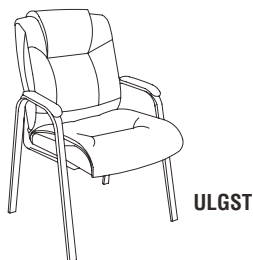
### MID-BACK



- Sculpted cushions.
- Padded leather cantilevered armrests.
- **Finishes:** Black/Gunmetal Gray Frame  
Burgundy/Gunmetal Gray Frame

Model No.	Outside Dimensions	Seated Area Dimensions	Seat Height	Wt.	List Price
* ULMB2	27"W x 30"D x 38"-41"H	19"W x 19"D x 21"H	19"-22"	57#	\$719

### GUEST



- Sculpted cushions.
- Padded leather armrests.
- Tubular steel frame.
- **Finishes:** Black/Gunmetal Gray Frame  
Burgundy/Gunmetal Gray Frame

Model No.	Outside Dimensions	Seated Area Dimensions	Seat Height	Wt.	List Price
* ULGST	24"W x 28"D x 38"H	20"W x 19"D x 20"H	20"	35#	\$529

# SERIES 200

Mayline Customer Service: 1-800-822-8037

## HIGH-BACK



- Ultra soft, perforated leather cushions.
- Padded leather loop armrests.
- Deluxe knee-tilt control.
- **Finishes:** Black/Gunmetal Gray Frame  
Burgundy/Slate Frame

Model No.	Outside Dimensions	Seated Area Dimensions	Seat Height	Wt.	List Price
* UL250H	27 1/2"W x 31"D x 43 1/2"-46 1/2"H	21"W x 20 1/2"D x 22 3/4"H	20 3/4"-23 3/4"H	61#	\$829

## MID-BACK



- Ultra soft, perforated leather cushions.
- Padded leather loop armrests.
- Deluxe knee-tilt control.
- **Finishes:** Black/Gunmetal Gray Frame  
Burgundy/Slate Frame

Model No.	Outside Dimensions	Seated Area Dimensions	Seat Height	Wt.	List Price
* UL230M	27"W x 29 1/2"D x 40 1/4"-43 1/4"H	21"W x 20"D x 23"H	20 1/4"-23 1/4"H	55#	\$729

## GUEST



- Ultra soft, perforated leather cushions.
- Padded leather loop armrests.
- Tubular steel frame.
- **Finishes:** Black/Gunmetal Gray Frame  
Burgundy/Slate Frame

Model No.	Outside Dimensions	Seated Area Dimensions	Seat Height	Wt.	List Price
* UL210G	26"W x 28"D x 36 1/2"	20 1/2"W x 18 3/4"D x 18 1/4"H	18"H	43#	\$549

# SERIES 300

## HIGH-BACK



- Thickly padded contoured leather seat and back.
- Padded leather loop armrests.
- Deluxe knee-tilt control.
- Pronounced lumbar support.
- **Finishes:** Black/Slate Frame  
Burgundy/Slate Frame

Model No.	Outside Dimensions	Seated Area Dimensions	Seat Height	Wt.	List Price
* UL350H	26 3/4"W x 29 1/2"D x 42 1/2"-45 1/2"H	20 1/2"W x 19 3/4"D x 25 1/4"H	20 1/4"-23 1/4"H	64#	\$799

## MID-BACK WITH SYNCHRO-TILT



- Same features as UL350H but with 2-to-1 synchro-tilt control.
- Adjustable height and width, padded leather armrests.
- **Finishes:** Black/Slate Frame  
Burgundy/Slate Frame

Model No.	Outside Dimensions	Seated Area Dimensions	Seat Height	Wt.	List Price
* UL330M	24 1/2"-26 1/2"W x 24 1/2"D x 38 1/2"-41 1/2"H	20 3/4"W x 18"D x 19"H	19 1/2"-22 1/2"H	61#	\$699

## GUEST



- Thickly padded contoured leather seat and back.
- Pronounced lumbar support.
- Padded leather armrests.
- Tubular steel frame construction.
- **Finishes:** Black/Slate Frame  
Burgundy/Slate Frame

Model No.	Outside Dimensions	Seated Area Dimensions	Seat Height	Wt.	List Price
* UL310G	24 1/2"W x 27"D x 35"H	19"W x 18 1/2"D x 17"H	18"H	43#	\$529

## SERIES 400

Mayline Customer Service: 1-800-822-8037

### EZ-ASSEMBLE HIGH-BACK



UL450HEZ

- Easy to assemble, no tools required.
- Padded leather loop armrests.
- Durable steel frame construction.

- **Finishes:** Black/Gunmetal Gray Frame  
Burgundy/Slate Frame  
Saddle/Titanium Frame

Model No.	Outside Dimensions	Seated Area Dimensions	Seat Height	Wt.	List Price
* UL450HEZ	27"W x 30"D x 44"-47"H	21"W x 20"D x 24"H	19 1/2"-22 1/2"H	60#	\$899

### EZ-ASSEMBLE MID-BACK



UL430MEZ

- Easy to assemble, no tools required.
- Padded leather loop armrests.
- Durable steel frame construction.

- **Finishes:** Black/Gunmetal Gray Frame  
Burgundy/Slate Frame  
Saddle/Titanium Frame

Model No.	Outside Dimensions	Seated Area Dimensions	Seat Height	Wt.	List Price
* UL430MEZ	27"W x 29"D x 41"-44"H	21"W x 20"D x 21"H	19 1/2"-22 1/2"H	57#	\$819

### GUEST



UL410GEZ

- Generously sized deep cushions.
- Padded leather armrests.
- Tubular steel sled frame.

- **Finishes:** Black/Gunmetal Gray Frame  
Burgundy/Slate Frame  
Saddle/Titanium Frame

Model No.	Outside Dimensions	Seated Area Dimensions	Seat Height	Wt.	List Price
* UL410GEZ	26"W x 29"D x 36"	20"W x 19"D x 19"H	17 1/2"H	44#	\$569

## SERIES 500

### EZ-ASSEMBLE HIGH-BACK



UL550HEZ

- Easy to assemble, no tools required.
- Accented with gathered seams on seat and back.
- Padded leather loop armrests.

- Durable steel frame construction.
- **Finishes:** Black/Slate Frame  
Burgundy/Slate Frame

Model No.	Outside Dimensions	Seated Area Dimensions	Seat Height	Wt.	List Price
* UL550HEZ	26 1/2"W x 30"D x 46 1/4"-49 1/4"H	20 3/4"W x 20"D x 25 3/4"H	20 1/2"-23 1/2"H	63#	\$899

### EZ-ASSEMBLE MID-BACK



UL530MEZ

- Easy to assemble, no tools required.
- Accented with gathered seams on seat and back.
- Padded leather loop armrests.

- Durable steel frame construction.
- **Finishes:** Black/Slate Frame  
Burgundy/Slate Frame

Model No.	Outside Dimensions	Seated Area Dimensions	Seat Height	Wt.	List Price
* UL530MEZ	27 1/4"W x 30"D x 41 1/2"-44 1/2"H	21 1/2"W x 20 1/2"D x 21"H	20 1/2"-23 1/2"H	58#	\$859

### GUEST



UL510GEZ

- Generously sized deep cushions.
- Padded leather armrests.
- Tubular steel frame.

- **Finishes:** Black/Slate Frame  
Burgundy/Slate Frame

Model No.	Outside Dimensions	Seated Area Dimensions	Seat Height	Wt.	List Price
* UL510GEZ	24 1/2"W x 20"D x 36"H	19"W x 19 1/2"D x 15 1/2"H	20 1/2"H	48#	\$539

# MERCADO LEATHER SERIES

Mayline Customer Service: 1-800-822-8037

Soft and supple leather defines these comfortable and luxurious yet economical choices of seating for the office and conference room.

- Genuine leather on all seated surfaces.
- All meet or exceed ANSI/BIFMA standards.
- Free Freight on all seating orders.
- 250 lb. load rating.
- All Mercado Chairs available on the 72-hour Kwik-Ship program.
- Some assembly required.
- All Mercado Chairs can ship via UPS.

## Free Freight



### PRESIDENT CHAIR



- Deep pillow-style cushions for comfort
- Chrome finished cast aluminum armrests with leather padding.
- Tilt tension and tilt lock.
- Available in Black or Burgundy.
- Cast aluminum five-star base with chrome finish.
- Swivel seat with pneumatic height adjustment.
- Deluxe knee tilt control.

Model No.	Outside Dimensions	Seated Area Dimensions	Seat Height	Wt.	List Price
* PR	25"W x 28"D x 45"-48"H	19"W x 19"D x 27"H	19"-22"	65#	\$599

### OPTIMA HIGH BACK CHAIR



- Deep cushioned seat and back with pillow-style head rest.
- Chrome finished cast aluminum armrests with leather padding.
- Cast aluminum five star base with Chrome finish.
- Available in Black.
- Swivel seat with pneumatic height adjustment.
- Tilt tension and tilt lock.
- Deluxe knee tilt control.

Model No.	Outside Dimensions	Seated Area Dimensions	Seat Height	Wt.	List Price
* OPH	27"W x 28"D x 51"-54"H	21"W x 19"D x 32"H	20"-23"	42#	\$649

### OPTIMA MID-BACK CHAIR



- Deep cushioned seat and back.
- Chrome finished cast aluminum armrests with leather padding.
- Cast aluminum five star base with Chrome finish.
- Available in Black.
- Swivel seat with pneumatic height adjustment.
- Tilt tension and tilt lock.
- Deluxe knee tilt control.

Model No.	Outside Dimensions	Seated Area Dimensions	Seat Height	Wt.	List Price
* OPM	27"W x 26"D x 42"-45"H	21"W x 19"D x 24"H	20"-23"	51#	\$589

### SILHOUETTE CHAIR



- Elegant, slim profile.
- Brushed aluminum arms with black poly-vinyl armrests adjust to 5 positions with push of a button.
- Black nylon five star base.
- Swivel seat with pneumatic height adjustment.
- Deluxe knee tilt control.
- Tilt tension and tilt lock.
- Available in Black.

Model No.	Outside Dimensions	Seated Area Dimensions	Seat Height	Wt.	List Price
* SS	26"W x 27"D x 44"-47"H	19"W x 21"D x 28"H	19"-22'	52#	\$549



**PIVOT ARM CHAIR**

Mayline Customer Service: 1-800-822-8037



- Height adjustable, pivoting arms with a push of a button.
- Brushed aluminum five star base.
- Tilt tension and tilt lock.
- Available in Black.
- Swivel seat with pneumatic height adjustment.
- Deluxe knee tilt control.

Model No.	Outside Dimensions	Seated Area Dimensions	Seat Height	Wt.	List Price
* FL	28"W x 27"D x 46"-50"H	21"W x 18"D x 29"H	20"-23"	57#	\$669

**ALLIANCE CHAIR**



- Cast aluminum five-star base with Chrome finish.
- Swivel seat with pneumatic height adjustment.
- Available in Black.
- Black nylon armrests.
- Tilt tension and tilt lock.

Model No.	Outside Dimensions	Seated Area Dimensions	Seat Height	Wt.	List Price
* AL	25"W x 31"D x 39"-42"H	20"W x 19"D x 22"H	20"-23"	42#	\$449

# MERCADO WOOD SERIES

Mayline Customer Service: 1-800-822-8037

## PRESIDENT CHAIR – WOOD



PRW

- Deep pillow-style cushions for comfort
- Solid wood armrests with black leather padding.
- Tilt tension and tilt lock.
- Solid wood five-star base in choice of Sierra Cherry, Mahogany or Golden Cherry finish to match REAL office casegoods.
- Swivel seat with pneumatic height adjustment.
- Deluxe knee tilt control.
- Available in Black.



**Free Freight**

Model No.	Outside Dimensions	Seated Area Dimensions	Seat Height	Wt.	List Price
* PRW	26"W x 28"D x 45"-48"H	21"W x 20"D x 27"H	19"-22"	65#	\$699

## CORSICA CHAIR



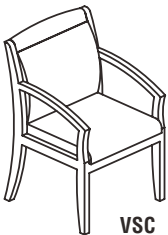
CS

- Deep cushioned seat and back in Black leather.
- Swivel seat with pneumatic height adjustment.
- Deluxe knee tilt control.
- Wood five star base in choice of Sierra Cherry, Mahogany or Golden Cherry finish to match REAL Office casegoods.
- Solid wood armrests with Black leather padding.
- Tilt tension and tilt lock.

Model No.	Outside Dimensions	Seated Area Dimensions	Seat Height	Wt.	List Price
* CS	28"W x 29"D x 47"-50"H	22"W x 20"D x 29"H	19"-22"	68#	\$589

## WOOD GUEST SEATING

**Free Freight**

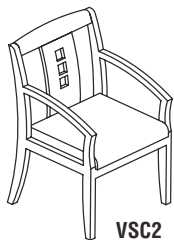


VSC

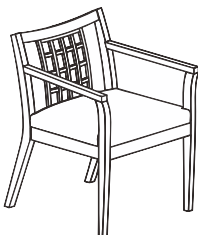
Stylish designs of solid wood and genuine leather beautify any private office or reception area.

- Solid wood frame construction.
- Genuine leather seat cushions. Black only.
- Some assembly required.
- Available on 72-Hour Kwik-Ship program. Ship via UPS.
- Choice of Sierra Cherry, Mahogany, or Golden Cherry wood finish matching REAL Office veneer casegoods.

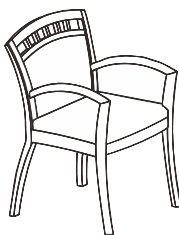
Model No.	Outside Dimensions	Seated Area Dimensions	Seat Height	Wt.	List Price
* VSC	21"W x 23"D x 34"H	19"W x 19"D x 15"H	19"	31#	\$449
* VSC2	21"W x 23"D x 34"H	19"W x 19"D x 15"H	19"	31#	\$449
* VSC4	23"W x 24"D x 31"H	18"W x 19"D x 12"H	19"	31#	\$449
* VSC5	23"W x 23"D x 34"H	18"W x 18"D x 15"H	19"	31#	\$449
* VSC6	23"W x 23"D x 34"H	18"W x 18"D x 15"H	19"	31#	\$449
* VSC7	23"W x 25"D x 34 1/2"H	19"W x 18 1/2"D x 14 1/2"H	20"	31#	\$449
* VSC8	23"W x 24"D x 33"H	18"W x 18"D x 13"H	20"	31#	\$449
* VSC9	26"W x 25"D x 34 1/2"H	19"W x 18 1/2"D x 15 1/2"H	19"	31#	\$499



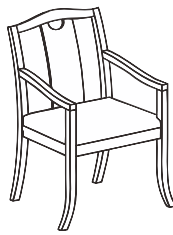
VSC2



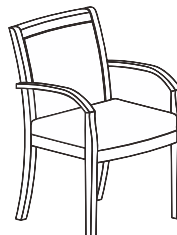
VSC4



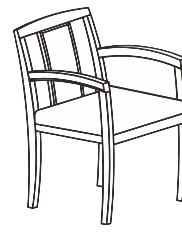
VSC5



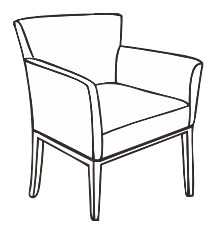
VSC6



VSC7



VSC8



VSC9

**TRADITIONAL HIGH-BACK CHAIR**

Mayline Customer Service: 1-800-822-8037



TSHB

- Top-grain leather seated surfaces.
- Thick padded seat and back.
- Spring supported seat.
- Central tilting mechanism.
- Seat height adjustment.
- Steel reinforced wood base with nylon casters.
- Deluxe knee tilt control.

- **Finishes:** Black/Sierra Cherry  
Black/Mahogany  
Merlot/Mahogany

Model No.	Outside Dimensions	Seated Area Dimensions	Seat Height	Wt.	List Price
* TSHB	28"W x 33"D x 44"-48"H	22 1/2"W x 19"D x 26"H	18"-22"	68#	\$849

**TRADITIONAL GUEST CHAIR**



TSGST

- Top-grain leather seated surfaces.
- Thick padded seat and back.
- Spring supported seat.
- Central tilting mechanism.
- Seat height adjustment.
- Steel reinforced wood base with nylon casters.
- Deluxe knee tilt control.

- **Finishes:** Black/Sierra Cherry  
Black/Mahogany  
Merlot/Mahogany

Model No.	Outside Dimensions	Seated Area Dimensions	Seat Height	Wt.	List Price
* TSGST	27 1/2"W x 25 1/2"D x 41"H	21 1/2"W x 19"D x 20"H	21"	42#	\$649

# COMFORT SERIES

Mayline Customer Service: 1-800-822-8037

All of the chairs in the Comfort Series provide a balanced seating environment to help reduce stress on the muscles of the thighs, back, neck and shoulders.

- The inflatable lumbar support on all models is orthopedically designed to give customized adjustment.
- Several models feature a suspended tailbone cut-out that allows the tailbone to free float, reducing fatigue and pressure on the lower back.
- Swivel seat with pneumatic height adjustment.
- Durable acrylic/poly blend upholstery in Gray, Blue, Burgundy and Black.
- Five-star base with dual hooded casters.
- Meets or exceeds ANSI/BIFMA standards.
- Free Freight on all seating orders.
- All Comfort Chairs available on the 72-hour Kwik-Ship program.
- Some assembly required.
- All Comfort Chairs (except 9413AG) can ship via UPS.

**Free Freight**



## EXECUTIVE HIGH BACK CHAIR



- Tailbone cut-out in seat cushion.
- Tilt, tilt tension and tilt lock controls.
- High back with waterfall seat design.
- One-piece seat frame construction.
- Does not ship UPS.
- Available in Gray, Blue, Burgundy or Black fabric. Also available in Black leather.
- T-shaped arms are height adjustable and have comfortable impact resistant urethane arm rests.

Model No.	Outside Dimensions	Seated Area Dimensions	Seat Height	Wt.	Fabric List Price	Leather List Price
						L Suffix
* 9413AG	26"W x 29"D x 44"-48"H	20"W x 19"D x 27"H	20"-24"	53#	\$799	\$899

## EXECUTIVE POSTURE CHAIR



- Tailbone cut-out in seat cushion.
- Ratchet back height adjustment.
- Waterfall seat design.
- **Multi-Function** – Three levers to modify angle of back relative to the seat, control tilt and forward tilt for keyboard intensive activities. Tilt is free float or locking within a fixed range.
- Available in Gray, Blue, Burgundy or Black fabric. Also available in Black leather.
- T-shaped arms are height adjustable and have comfortable impact resistant urethane arm rests.

Model No.	Outside Dimensions	Seated Area Dimensions	Seat Height	Wt.	Fabric List Price	Leather List Price
						L Suffix
* 9414AG	25"W x 27"D x 39"-43"H	19"W x 19"D x 24"H	18"-22"	53#	\$699	\$775

## MULTI-FUNCTION TASK CHAIR WITH OPTIONAL ARMS



- Tailbone cut-out in seat cushion.
- Back height adjustment.
- Multi-task control adjusts seat and back angles with a single lever.
- **Optional** T-shaped arms are height adjustable and have comfortable impact resistant urethane arm rests.
- Available in Gray, Blue, Burgundy or Black fabric.

Model No.	Outside Dimensions	Seated Area Dimensions	Seat Height	Wt.	List Price
* 4021 Chair	21"W x 27"D x 34"-38"H	21"W x 19"D x 18"H	17"-21"	38#	\$499
* 12ADJARM	Arms – 4" adjustability			7#	\$109

**CONTOURED SUPPORT CHAIR**

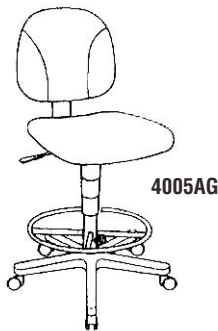
Mayline Customer Service: 1-800-822-8037



- Contoured back and tractor style seat to help eliminate fatigue.
- Ratchet back height adjustment.
- **Multi-Function** – Three levers to modify angle of back relative to the seat, control tilt and forward tilt for keyboard intensive activities. Tilt is free float or locking within a fixed range.
- Available in Gray, Blue, Burgundy or Black fabric.
- T-shaped arms are height adjustable and have comfortable impact resistant urethane arm rests.

Model No.	Outside Dimensions	Seated Area Dimensions	Seat Height	Wt.	List Price
* <b>4019AG</b>	25"W x 25"D x 40"-44"H	20"W x 18"D x 24"H	18"-22"	53#	\$599

**SWIVEL TASK STOOL**



- The inflatable lumbar support is orthopedically designed to give a customized adjustment.
- Swivel seat with pneumatic height adjustment.
- Durable acrylic/poly blend upholstered in Gray, Blue, Burgundy or Black fabric.
- Five-star base with dual hooded casters and optional Black nylon arms.
- Back height adjustment.
- Seat depth adjustment.
- Can ship via UPS.
- **Optional** T-shaped arms are height adjustable and have comfortable impact resistant urethane arm rests.

Model No.	Outside Dimensions	Seated Area Dimensions	Seat Height	Wt.	List Price
* <b>4005AG</b>	21"W x 24"D x 40"-50"H	21"W x 19"D x 18"-20"H	23"-33"	40#	\$499
* <b>12ADJARM</b>	Arms – 4" adjustability			7#	\$109

# COMFORT SERIES – BIG & TALL

Mayline Customer Service: 1-800-822-8037

All of the chairs in the Comfort Series provide a balanced seating environment to help reduce stress on the muscles of the thighs, back, neck and shoulders.

- The inflatable lumbar support on all models is orthopedically designed to give customized adjustment.
- Swivel seat with pneumatic height adjustment.
- Oversized, cast aluminum. Five-star base with dual hooded casters.
- Meets or exceeds ANSI/BIFMA standards.
- All Comfort Chairs available on the 72-hour Kwik-Ship program.
- Some assembly required.

- All Big & Tall Chairs can ship via UPS.
- Steel reinforced seat plate.
- Free Freight on all seating orders.



**Free Freight**

## BIG & TALL PIVOT ARM CHAIR



6446AG

- Supports up to 450 lbs.
- Heavy duty, high density foam in cushions.

- Arms pivot out of the way to allow chair to roll up close to desk.
- Available in Gray, Blue, Burgundy or Black fabric or Black leather.

Model No.	Outside Dimensions	Seated Area Dimensions	Seat Height	Wt.	Fabric List Price	Leather List Price
						L Suffix
* 6446AG	29"W x 28"D x 44"-48"H	23"W x 21"D x 28"H	20"-24"	69#	\$899	\$999



6446AGL

## BIG & TALL EXECUTIVE CHAIR

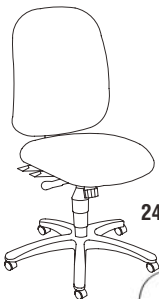


1801AG

- Supports up to 450 lbs.
- Available in Gray, Blue, Burgundy or Black fabric or Black leather.
- Heavy duty, high density foam in cushions.

Model No.	Outside Dimensions	Seated Area Dimensions	Seat Height	Wt.	Fabric List Price	Leather List Price
						L Suffix
* 1801AG	27"W x 27"D x 44"-48"H	22"W x 19"D x 27"H	20"-24"	65#	\$799	\$899

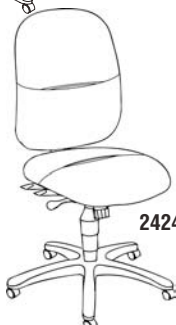
## 24-HOUR HIGH PERFORMANCE CHAIR



2424AG

- Supports up to 300 lbs.
- Seat cushion features memory foam.
- Multi-function chair control allows the seat and back angle to be independently adjusted.
- Chair seat tilts both forward and rearward with tilt tension adjustment.
- **Optional** T-shaped arms are height adjustable and have comfortable impact resistant urethane arm rests.
- Sculpted back has pronounced lumbar support for maximum lower back comfort.
- Back is height adjustable for precise positioning of the lumbar area.
- Available in Gray, Blue, Burgundy or Black fabric. Also available in Black Leather.

Model No.	Outside Dimensions	Seated Area Dimensions	Seat Height	Wt.	Fabric List Price	Leather List Price
						L Suffix
* 2424AG	21"W x 29"D x 42"-45"H	21"W x 20"D x 23"H	19"-22"	55#	\$579	\$699
* 12ADJARM	Arms – 4" adjustability			7#	\$109	



2424AGL

# TECHNICAL SERIES

Mayline Customer Service: 1-800-822-8037

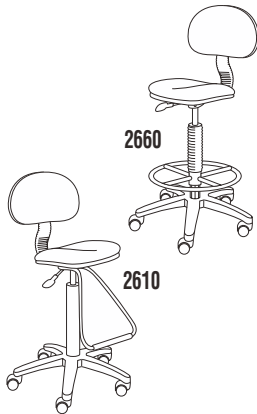
## MULTI-TASK STOOLS

- Multi-Task chairs feature extra dense foam and large, 5-star nylon base.
- Durable polyester fabric in four colors. Gray, Burgundy, Navy or Black.
- Pneumatic 10" height adjustment.
- Back height adjustment.
- Seat depth adjustment.
- Can ship via UPS.

- All Technical Series Stools available on the 72-hour Kwik-Ship program.
- Some assembly required.

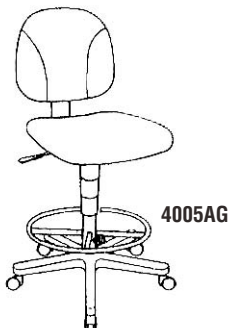


**Free Freight**



Model No.	Description	Seated Area Dimensions	Seat Height	Wt.	List Price
* 2610	Fabric covered drafting stool with footrest and dual wheel hooded casters.	18"W x 16"D x 17"H	23"-33"	20#	\$289
* 2660	Fabric covered drafting stool with footring.	18"W x 16"D x 17"H	23"-33"	21#	\$299

## SWIVEL TASK STOOL



- The inflatable lumbar support is orthopedically designed to give a customized adjustment.
- Swivel seat with pneumatic height adjustment.
- Durable acrylic/poly blend upholstered in Gray, Blue, Burgundy or Black.
- Five-star base with dual hooded casters and optional Black nylon arms.
- Back height adjustment.
- Seat depth adjustment.
- Can ship via UPS.
- **Optional** T-shaped arms are height adjustable and have comfortable impact resistant urethane arm rests.

Model No.	Outside Dimensions	Seated Area Dimensions	Seat Height	Wt.	List Price
* 4005AG	21"W x 24"D x 40"-50"H	21"Wx19"Dx18"-20"H	23"-33"	40#	\$499
* 12ADJARM	Arms			7#	\$109

# STACKING CHAIRS

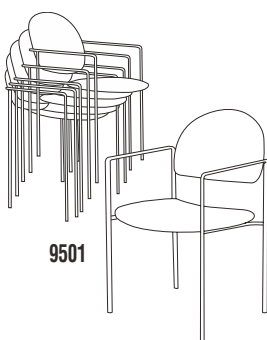
## STACKABLE CHAIR

- Plastic molded arms, plywood inner shell.
- Chairs are stackable to 6 high.
- Available in Black, Blue, Burgundy, Charcoal.
- All Stacking Chairs available on the 72-hour Kwik-Ship program.

- Nylon fabric upholstery.
- Tubular steel frames.
- Can ship via UPS.
- Some assembly required.



**Free Freight**



Model No.	Outside Dimensions	Seated Area Dimensions	Seat Height	Wt.	List Price
* 9501CH	23"W x 22"D x 32"H	18"W x 17"D x 17"H	17"	15#	\$199



# ***Conference & Training Room Furniture***

---



---

**Fixed Leg Tables**  
**Folding Leg Tables**  
**Utility Tables**  
**Conference Tables**  
**Accessories**

## MEETING PLUS™ CONFERENCE/TRAINING TABLES

Fixed leg training tables offer flexibility and durability in a clean contemporary design

### Specifications

- 1 1/8" thick tops with high pressure laminates and T-mold edge.
- Modesty panels with integrated cable trough.
- Tables can be connected together by using the optional ganging accessory
- Metal-to-metal connections for quick, sturdy installation.
- All tables standard with one mobile leg and one stationary with levelers.
- Optional surface power modules available. Call for details. \$145 List.
- Black, fluted T-mold only.

**Kwik-Ship Finishes:** Black paint, Nebula Gray and Mahogany high pressure laminate



## MEETING PLUS™ CONFERENCE/TRAINING TABLES

### Rectangular

#### 18" Deep

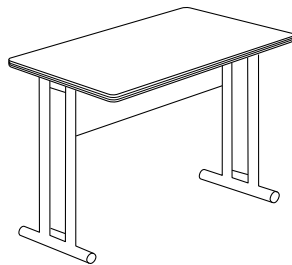
Model No.	Dimensions	Wt.	List Price
<b>1848MR</b>	48"W x 18"D x 28 1/2"H, Mobile	74#	\$613
<b>1860MR</b>	60"W x 18"D x 28 1/2"H, Mobile	87#	\$658
<b>1872MR</b>	72"W x 18"D x 28 1/2"H, Mobile	97#	\$773

#### 24" Deep

Model No.	Dimensions	Wt.	List Price
<b>2448MR</b>	48"W x 24"D x 28 1/2"H, Mobile	80#	\$685
<b>2454MR</b>	54"W x 24"D x 28 1/2"H, Mobile	80#	\$697
* <b>2460MR</b>	60"W x 24"D x 28 1/2"H, Mobile	80#	\$726
* <b>2472MR</b>	72"W x 24"D x 28 1/2"H, Mobile	103#	\$840

#### 30" Deep

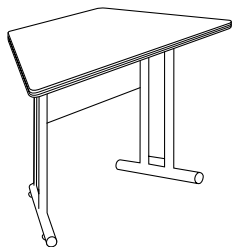
Model No.	Dimensions	Wt.	List Price
<b>3048MR</b>	48"W x 30"D x 28 1/2"H, Mobile	86#	\$788
<b>3060MR</b>	60"W x 30"D x 28 1/2"H, Mobile	99#	\$825
<b>3072MR</b>	72"W x 30"D x 28 1/2"H, Mobile	109#	\$854



### Trapezoid

- To provide proper stability, trapezoid tables must be connected to an adjacent table using the ganging accessory listed below

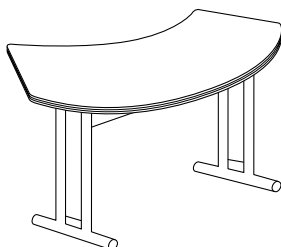
Model No.	Dimensions	Wt.	List Price
* <b>2448MT</b>	48"W x 21 1/2"D x 28 1/2"H, Mobile	80#	\$685
<b>3060MT</b>	60"W x 26"D x 28 1/2"H, Mobile	86#	\$788

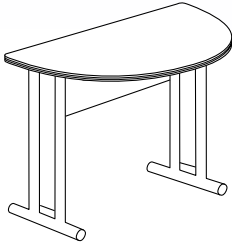


### Crescent

- To provide proper stability, crescent tables must be connected to an adjacent table using the ganging accessory listed below

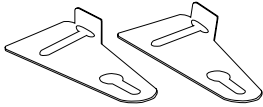
Model No.	Dimensions	Wt.	List Price
* <b>2448MC</b>	67"W x 24"D x 28 1/2"H, Mobile	80#	\$736
<b>3048MC</b>	67"W x 30"D x 28 1/2"H, Mobile	89#	\$935





**Half Round**

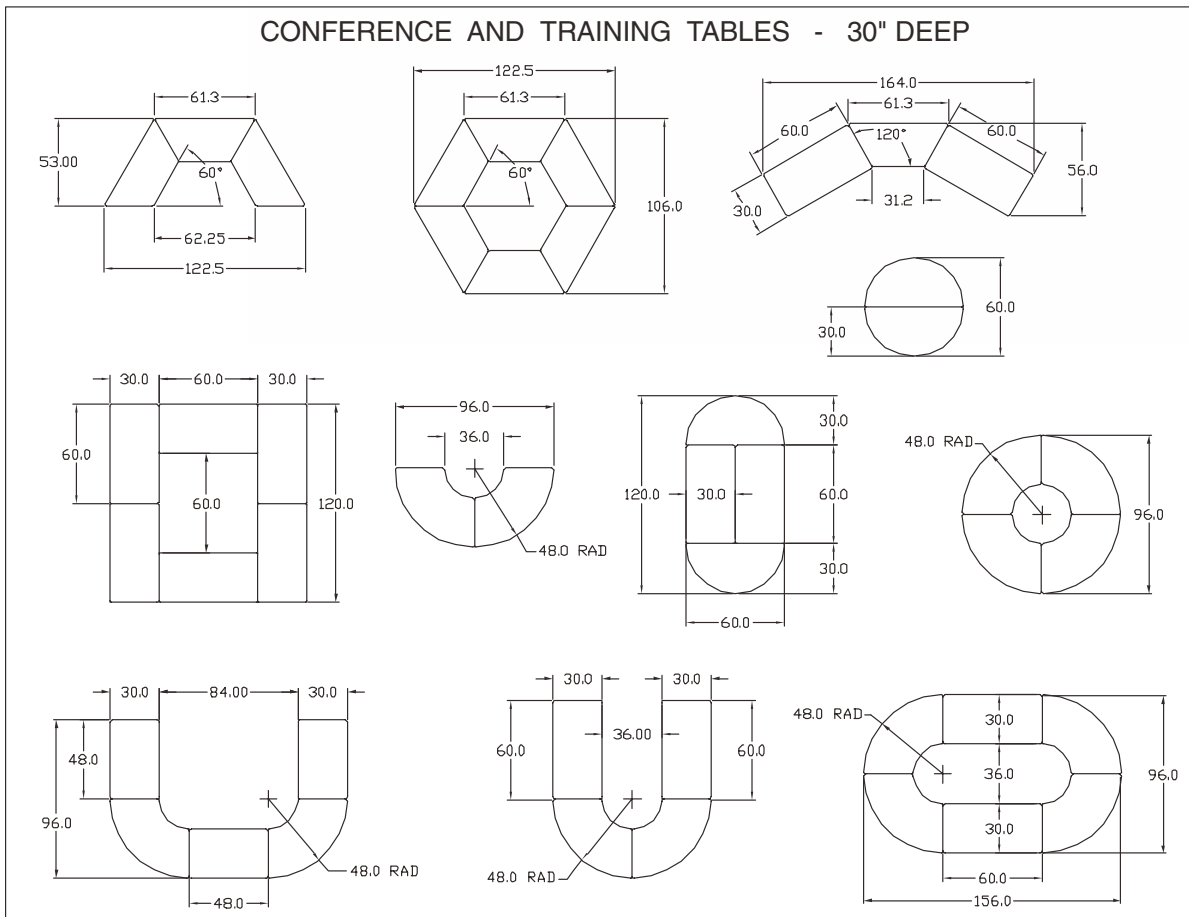
Model No.	Dimensions	Wt.	List Price
2448MH	48"W x 24"D x 28 1/2"H, Mobile	80#	\$685
3060MH	60"W x 30"D x 28 1/2"H, Mobile	86#	\$798



**Ganging Accessory**

- Will connect one edge of one Meeting Plus table to one edge of another Meeting Plus table

Model No.	Dimensions	Wt.	List Price
* 10TMG	2"W x 6"D x 1/4"H	2#	\$34



Training tables can be arranged in a variety of configurations.



Mayline Group's 72-Hour Kwik-Ship program features over 200 standard items. Orders are guaranteed to ship within 72 hours from receipt of order. Orders are limited to 5 of any single model with no limitation to the total number of models per order. Kwik-Ship products are designated throughout the price list by a '\*' symbol to the left of the model number. Available Kwik-Ship colors are listed at the beginning of each product line section.

# TALON™ TABLES

Mayline Customer Service: 1-800-822-8037

## TALON™ CONFERENCE & TRAINING TABLES WITH STANDARD WEIGHT TOPS

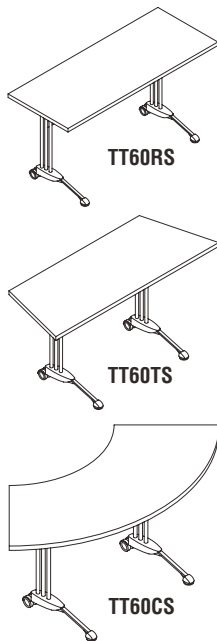
Talon Conference & Training Tables combine sleek design with key features such as standard rear wheels for easy mobility and fold-down work surfaces for compact storage.

**Base Frames:** Completely assembled, welded tubular steel construction with standard rear wheels, adjustable front leveling glides, and pivoting fold-down mechanism. Tables are 5" wide when folded. Static height Base Frames, including 1 1/8"H work surface,

fixed at 28 3/4"H. Height adjustable Base Frames, including 1 1/8"H work surface, adjust from 26 1/4" – 29 1/4"H.

**Kwik-Ship Finishes:** Black paint (only), Pearwood, and Nebula Gray laminate

**Work Surfaces:** 1 1/8" furniture-grade particle board core with high pressure laminate finish and t-mold edge is standard. Ganging Hardware standard.



Model No.	Description	Frame Description	Wt.	List Price
<b>Talon Tables (Includes frame and surface. Frame and surface shipped in separate cartons.)</b>				
* TT48RS	48" x 24" Rectangular	42" Static	80#	\$528
* TT48RA	48" x 24" Rectangular	42" Adjustable	80#	\$773
* TT54RS	54" x 24" Rectangular	42" Static	85#	\$542
* TT54RA	54" x 24" Rectangular	42" Adjustable	85#	\$787
* TT60RS	60" x 24" Rectangular	51" Static	100#	\$592
* TT60RA	60" x 24" Rectangular	51" Adjustable	100#	\$837
* TT72RS	72" x 24" Rectangular	51" Static	105#	\$670
* TT72RA	72" x 24" Rectangular	51" Adjustable	105#	\$915
* TT60TS	60" x 24" Trapezoid	34" Static	75#	\$540
* TT60TA	60" x 24" Trapezoid	34" Adjustable	75#	\$786
* TT60CS	67" x 24" Crescent	34" Static	80#	\$643
* TT60CA	67" x 24" Crescent	34" Adjustable	80#	\$889

## TALON™ CONFERENCE & TRAINING TABLES WITH LIGHTWEIGHT TOPS

- Standard Talon base with new lightweight worksurfaces.
- Easier to handle.
- Metal-to-metal connections in solid wood core. 1" thick with 3 mm PVC edge, Black only.

Model No.	Dimensions	Wt.	List Price
TTLP48RS	Talon Lightweight, Rectangular 48" x 24" Static Base	67#	\$580
TTLP48RA	Talon Lightweight, Rectangular 48" x 24" Adjustable Base	67#	\$849
TTLP54RS	Talon Lightweight, Rectangular 54" x 24" Static Base	70#	\$593
TTLP54RA	Talon Lightweight, Rectangular 54" x 24" Adjustable Base	70#	\$862
TTLP60RS	Talon Lightweight, Rectangular 60" x 24" Static Base	80#	\$650
TTLP60RA	Talon Lightweight, Rectangular 60" x 24" Adjustable Base	80#	\$919
TTLP72RS	Talon Lightweight, Rectangular 72" x 24" Static Base	85#	\$735
TTLP72RA	Talon Lightweight, Rectangular 72" x 24" Adjustable Base	85#	\$1,004
TTLP60TS	Talon Lightweight, Trapezoid 60" x 24" Static Base	60#	\$593
TTLP60TA	Talon Lightweight, Trapezoid 60" x 24" Adjustable Base	60#	\$862
TTLP60CS	Talon Lightweight, Crescent 67" x 24" Static Base	64#	\$708
TTLP60CA	Talon Lightweight, Crescent 67" x 24" Adjustable Base	64#	\$977

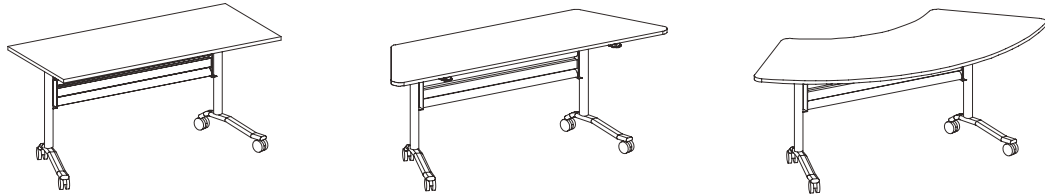
Talon Tilt-Top Tables offer an alternative storage solution for any conference and training environment. Table surfaces tilt to a vertical position allowing the contemporary styled legs to nest within each other creating a straight row when nested.

**Base Frames:** Welded tubular steel construction with standard 3-inch locking dual casters. Available in black only.

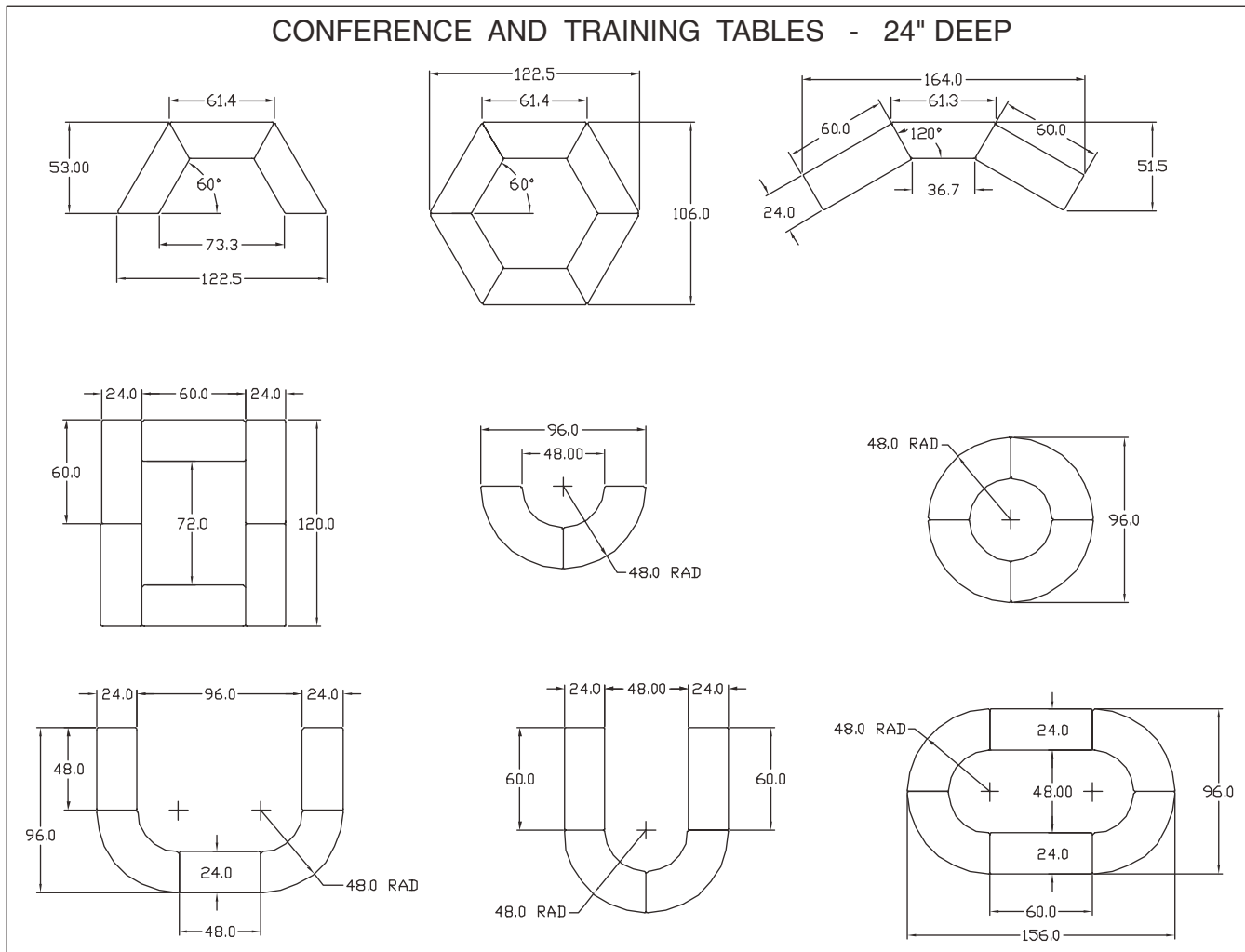
**Kwik-Ship Finishes:** Black paint (only), Pearwood or Windswept Pewter laminate.

**Work Surfaces:** 1 1/8" furniture-grade particleboard available with any Wilsonart or Nevamar laminate with t-mold edge. Ganging Hardware standard.

Model No.	Dimensions	Wt.	List Price
* <b>TT48RN</b>	Talon Tilt Top, Rectangular 48" x 24" x 28 3/4"H Nesting Base	80#	\$556
* <b>TT54RN</b>	Talon Tilt Top, Rectangular 54" x 24" x 28 3/4"H Nesting Base	85#	\$566
* <b>TT60RN</b>	Talon Tilt Top, Rectangular 60" x 24" x 28 3/4"H Nesting Base	100#	\$629
* <b>TT72RN</b>	Talon Tilt Top, Rectangular 72" x 24" x 28 3/4"H Nesting Base	105#	\$681
* <b>TT60TN</b>	Talon Tilt Top, Trapezoid 60" x 24" x 28 3/4"H Nesting Base	75#	\$557
* <b>TT60CN</b>	Talon Tilt Top, Crescent 67" x 24" x 28 3/4"H Nesting Base	80#	\$702



**CONFERENCE AND TRAINING TABLES - 24" DEEP**



# CONCLAVE™ TABLES

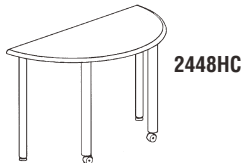
Mayline Customer Service: 1-800-822-8037

## CONCLAVE CONFERENCE AND TRAINING TABLES

Unique leg design combines stability with smooth mobility.

*Specifications*

- Elegance and Comfort Combined with Value
- Cable Friendly Modesty Panel
- Leg Design provides stability and mobility
- Easily Reconfigure Room in Minutes
- **Color:** Rosewood or Anthracite surfaces. Legs and modesty panels in black **only**.
- Matching painted contoured edge.
- Ganging Hardware standard.



2448HC



42RNDC

Model No.	Description	Wt.	List Price
* 1860RC	60"W x 18"D x 29"H Rectangular Meeting/Training Tables	55#	\$546
* 1872RC	72"W x 18"D x 29"H Rectangular Meeting/Training Tables	65#	\$591
* 2472RC	72"W x 24"D x 29"H Rectangular Meeting/Training Tables	70#	\$615
* 2460RC	60"W x 24"D x 29"H Rectangular Meeting/Training Tables	60#	\$570
* 2448RC	48"W x 24"D x 29"H Rectangular Meeting/Training Tables	50#	\$495
* 2448HC	48"W x 24"D x 29"H Half Round Meeting/Training Tables	45#	\$360
* 42RNDC	42" dia. x 29"H Full Round Meeting/Training Tables	90#	\$428
* 2448TC	48"W x 24"D x 29"H Trapezoid Meeting/Training Tables	50#	\$428
* 2448CC	67"W x 24"D x 29"H Crescent Meeting/Training Tables	55#	\$559



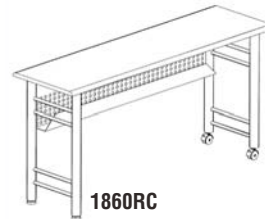
2448TC



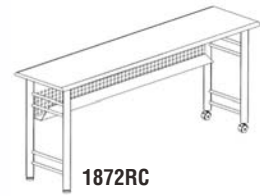
2448CC



2448RC



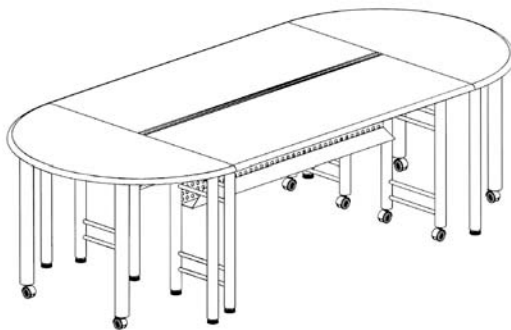
1860RC



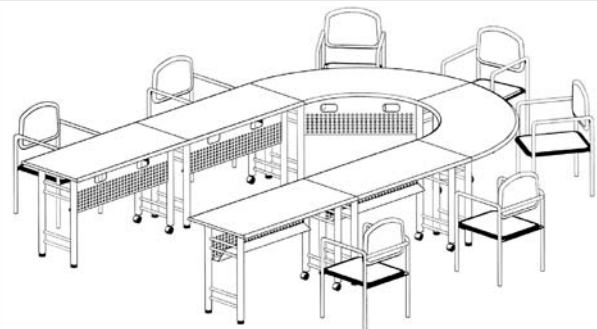
1872RC

Training tables can be arranged in a variety of configurations.

## CONCLAVE TYPICALS



QTY.	DESCRIPTION	MODEL NO.	LIST PRICE
<b>Oval Board Room</b>			
2	24" Half Round	2448HC	\$360 ea.
2	60"W x 24"D Rectangular	2460RC	\$570 ea.
<b>Total List Price</b>			<b>\$1,860.00</b>



QTY.	DESCRIPTION	MODEL NO.	LIST PRICE
<b>U-Shaped Conference</b>			
2	48"W x 24"D Crescent	2448CC	\$559 ea.
4	48"W x 24"D Rectangular	2448RC	\$495 ea.
7	Stackmate Chairs	9501CH	\$199 ea.
<b>Total List Price</b>			<b>\$4,491.00</b>

# ENCOUNTER TABLES

Mayline Customer Service: 1-800-822-8037

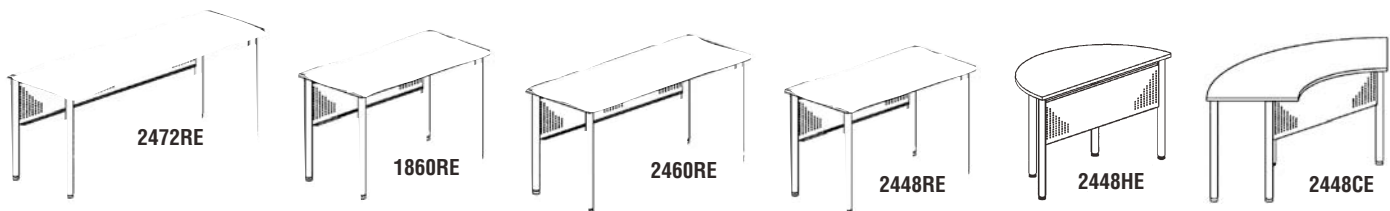
## ENCOUNTER CONFERENCE AND TRAINING TABLES

Encounter offers a clean, refined appearance at incredible pricing

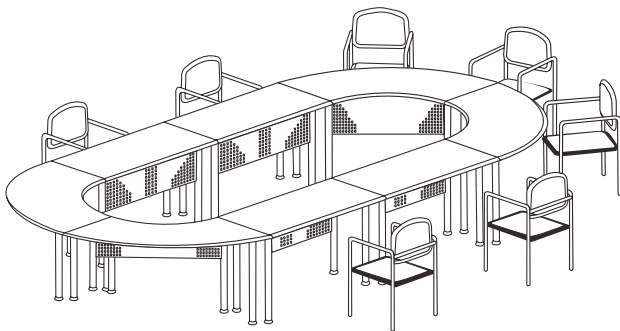
### Specifications

- Scratch Resistance Melamine Surface
  - Heavy Gauge Steel Frame Construction
  - Attractive Solid Stance with Leveling Glides
  - Clean, Refined Appearance
  - Ganging Hardware standard
  - Durable PVC Edging
- **Color:** Cherry and Folkstone surfaces with legs and modesty panels in black **only.**

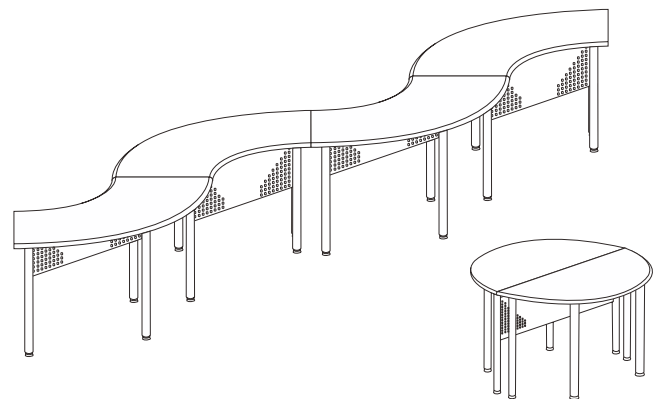
Model No.	Description	Wt.	List Price
* 1872RE	72"W x 18"D x 29"H Rectangular Meeting/Training Table	65#	\$445
* 2472RE	72"W x 24"D x 29"H Rectangular Meeting/Training Table	70#	\$495
* 1860RE	60"W x 18"D x 29"H Rectangular Meeting/Training Table	55#	\$408
* 2460RE	60"W x 24"D x 29"H Rectangular Meeting/Training Table	60#	\$433
* 2448RE	48"W x 24"D x 29"H Rectangular Meeting/Training Table	50#	\$371
* 2448HE	48"W x 24"D Half-Round Meeting/Training Table	45#	\$309
* 2448CE	67"W x 24"D x 29"H Crescent Meeting/Training Table	55#	\$520



## ENCOUNTER TYPICALS



QTY.	DESCRIPTION	MODEL NO.	LIST PRICE
<b>Open Oval</b>			
4	67"W x 24"D Crescent	2448CE	\$520 ea.
4	60"W x 24"D Rectangular	2460RE	\$433 ea.
7	Stackmate Chairs	9501CH	\$199 ea.
<b>Total List Price</b>			<b><u>\$5,205.00</u></b>



QTY.	DESCRIPTION	MODEL NO.	LIST PRICE
<b>Snake</b>			
4	67"W x 24"D Crescent	2448CE	\$520 ea.
2	24" Half Rounds	2448HE	\$309 ea.
<b>Total List Price</b>			<b><u>\$2,698.00</u></b>



# T-MATE TABLES

Mayline Customer Service: 1-800-822-8037

Shared-leg design saves cost and provides more knee space.



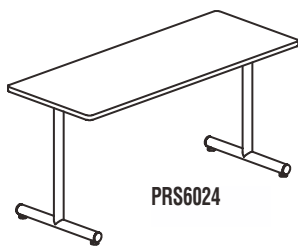
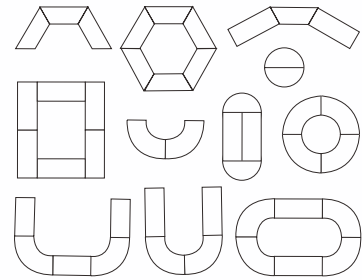
*Specifications*

- 2" tubular steel legs install to high-pressure laminate tops with threaded, metal-to-metal connections.
- Starter tables supplied with two legs for freestanding applications.
- Adder tables supplied with one leg. Any shared leg configuration requires one Starter table and all remaining tables can be Adders.
- All tables 29"H overall.

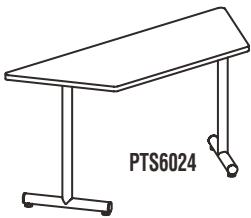
**Standard Finishes:** Black painted legs with choice of standard 1 1/8" high-pressure laminate tops with T-mold edge.

**Kwik-Ship Finishes:** Black legs with Nebula Gray or Pearwood laminate.

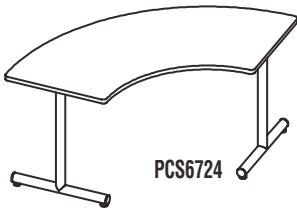
Training Tables can be arranged in a variety of configurations.



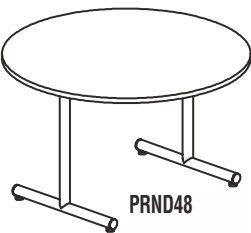
PRS6024



PTS6024

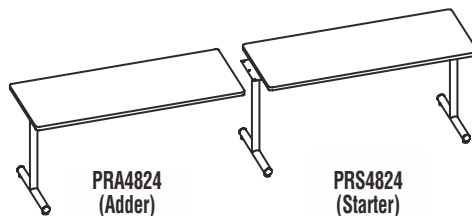


PCS6724



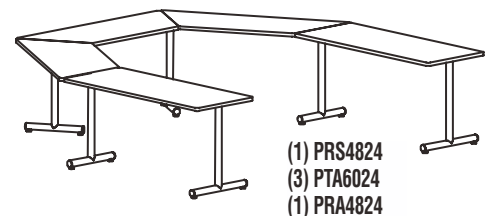
PRND48

Model No.	Description	Wt.	List Price
* PRS4824	Starter, 48" x 24" Rectangular	50#	\$459
* PRA4824	Adder, 48" x 24" Rectangular	42#	\$331
* PRS6024	Starter, 60" x 24" Rectangular	60#	\$471
* PRA6024	Adder, 60" x 24" Rectangular	52#	\$345
* PRS7224	Starter, 72" x 24" Rectangular	70#	\$486
* PRA7224	Adder, 72" x 24" Rectangular	62#	\$406
PRS4830	Starter, 48" x 30" Rectangular	60#	\$471
PRA4830	Adder, 48" x 30" Rectangular	52#	\$345
PRS6030	Starter, 60" x 30" Rectangular	70#	\$500
PRA6030	Adder, 60" x 30" Rectangular	62#	\$373
PRS7230	Starter, 72" x 30" Rectangular	80#	\$526
PRA7230	Adder, 72" x 30" Rectangular	72#	\$399
* PTS6024	Starter, 60" x 24" Trapezoid	55#	\$463
* PTA6024	Adder, 60" x 24" Trapezoid	47#	\$336
PTS6030	Starter, 60" x 30" Trapezoid	65#	\$492
PTA6030	Adder, 60" x 30" Trapezoid	57#	\$366
* PCS6724	Starter, 67" x 24" Crescent	70#	\$652
* PCA6724	Adder, 67" x 24" Crescent	62#	\$524
PCS6730	Starter, 67" x 30" Crescent	80#	\$692
PCA6730	Adder, 67" x 30" Crescent	72#	\$566
* PHS4824	Starter, 48" x 24" Half-Round	45#	\$442
PHS6030	Starter, 60" x 30" Half-Round	55#	\$490
* PRND48	48" Diameter Full-Round	70#	\$509



PRA4824 (Adder)

PRS4824 (Starter)



(1) PRS4824  
(3) PTA6024  
(1) PRA4824

# PERISCOPE™ TABLES

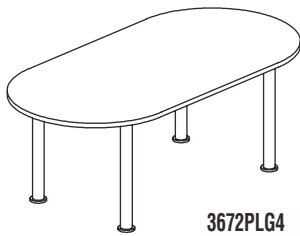
Height adjustable, multi-purpose table system. Perfect solution for small, informal meetings or for sorting and collating materials.



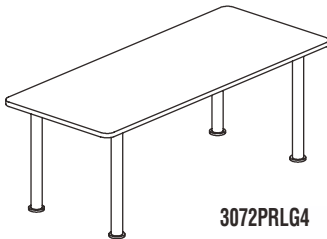
*Specifications*

- Sit-to-Stand height adjustability (26"-38") using 2 1/2" diameter telescoping steel leg design.
- Each leg has 15 calibrated positions across 12" range of adjustment.
- Optional casters add 2" to overall height.
- 1 1/8" High-pressure laminate tops with heavy-duty steel legs install quickly using threaded, metal-to-metal connections.
- Legs are standard with Black paint finish. Worksurfaces available in any standard high-pressure laminate.

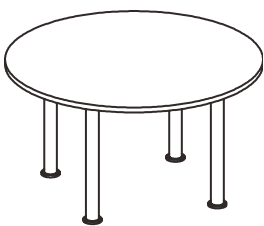
**Kwik-Ship Finishes:** Black legs with Nebula Gray or Pearwood laminate.



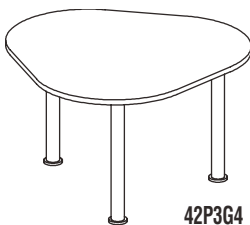
3672PLG4



3072PRLG4



48PRNDG4



42P3G4

Model No.	Description	Wt.	List Price
* 3072PLG4	30" x 72" Oval Table with 4 levelers	90#	\$784
3072PLC4	30" x 72" Oval Table with 4 casters	90#	\$831
* 3672PLG4	36" x 72" Oval Table with 4 levelers	100#	\$809
3672PLC4	36" x 72" Oval Table with 4 casters	100#	\$854
* 3060PLG4	30" x 60" Oval Table with 4 levelers	80#	\$740
3060PLC4	30" x 60" Oval Table with 4 casters	80#	\$784
* 3660PLG4	36" x 60" Oval Table with 4 levelers	90#	\$764
3660PLC4	36" x 60" Oval Table with 4 casters	90#	\$809
* 3072PRLG4	30" x 72" Rectangular Table with 4 levelers	90#	\$784
3072PRLC4	30" x 72" Rectangular Table with 4 casters	90#	\$831
48PRNDG4	48" Round Table with 4 levelers	90#	\$740
48PRNDC4	48" Round Table with 4 casters	90#	\$784
42P3G4	42" 3-Sided Table with 3 levelers	80#	\$692
42P3C4	42" 3-Sided Table with 3 casters	80#	\$716
* PC4	Caster kit, set of 4 with locks	5#	\$78
* PCE2	Caster kit, set of 2 casters and 2 extenders for wheelbarrow style mobility	5#	\$57
PLG4	Set of 4 legs with levelers	30#	\$504

# ACCORDE CONFERENCE TABLES

Mayline Customer Service: 1-800-822-8037

## ACCORDE CONFERENCE TABLES

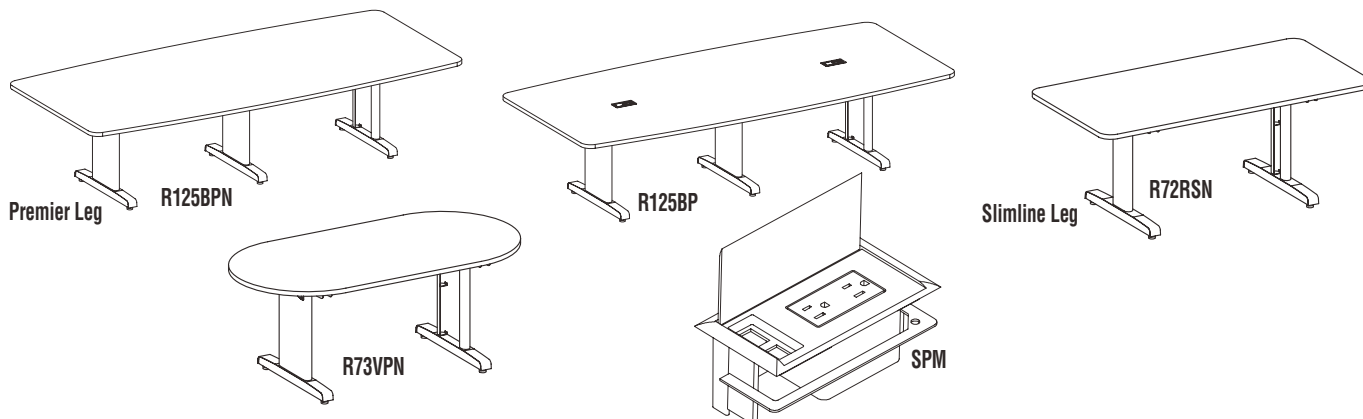
Full-size conference tables with optional power and data modules designed for optional power and data access to operate computers and presentation equipment during meetings.



- Three shapes of conference surfaces: Racetrack, Boat, and Rectangular.
- Table legs are constructed of 14 gauge steel and available in Mayline's standard black finish.
- Tops constructed of 1 1/8" thick high pressure laminate with t-mold edge.
- Tables can be ordered with grommets.
- If ordering optional power module, table must be ordered with grommets.
- Slimline legs are 7"W and Premier legs are 13"W. Both have integrated cable channels within table legs.
- All tables standard with two legs, except for 120" with three legs.

Model No.	Description	Slimline Leg Grommets (+S) List Price	Slimline Leg No Grommets (+SN) List Price	Premier Leg Grommets (+P) List Price	Premier Leg No Grommets (+PN) List Price
R73R	72" x 36" Rectangular	\$892	\$827	\$956	\$931
R73B	72" x 36" Boat-Shaped	\$892	\$827	\$956	\$931
R73V	72" x 36" Racetrack	\$892	\$827	\$956	\$931
R84R	84" x 42" Rectangular	\$1006	\$981	\$1043	\$1019
R84B	84" x 42" Boat-Shaped	\$1006	\$981	\$1043	\$1019
R84V	84" x 42" Racetrack	\$1006	\$981	\$1043	\$1019
R94R	96" x 48" Rectangular	\$1031	\$1006	\$1069	\$1044
R94B	96" x 48" Boat-Shaped	\$1031	\$1006	\$1069	\$1044
R94V	96" x 48" Racetrack	\$1031	\$1006	\$1069	\$1044
R95R	96" x 54" Rectangular	\$1056	\$1031	\$1095	\$1070
R95B	96" x 54" Boat-Shaped	\$1056	\$1031	\$1095	\$1070
R95V	96" x 54" Racetrack	\$1056	\$1031	\$1095	\$1070
R104R	108" x 48" Rectangular	\$1175	\$1150	\$1226	\$1201
R104B	108" x 48" Boat-Shaped	\$1175	\$1150	\$1226	\$1201
R104V	108" x 48" Racetrack	\$1175	\$1150	\$1226	\$1201
R105R	108" x 54" Rectangular	\$1268	\$1243	\$1319	\$1294
R105B	108" x 54" Boat-Shaped	\$1268	\$1243	\$1319	\$1294
R105V	108" x 54" Racetrack	\$1268	\$1243	\$1319	\$1294
R124R	120" x 48" Rectangular	\$1359	\$1333	\$1409	\$1384
R124B	120" x 48" Boat-Shaped	\$1359	\$1333	\$1409	\$1384
R124V	120" x 48" Racetrack	\$1359	\$1333	\$1409	\$1384
R125R	120" x 54" Rectangular	\$1434	\$1409	\$1485	\$1460
R125B	120" x 54" Boat-Shaped	\$1434	\$1409	\$1485	\$1460
R125V	120" x 54" Racetrack	\$1434	\$1409	\$1485	\$1460

Model No.	Description	List Price
SPM	Optional Power Module [includes RJII-Cat 3 coupler (phone) and RJ45-Cat3 coupler (data)]	\$186



# GENEVA CONFERENCE TABLES

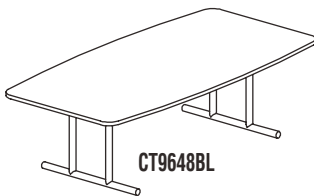
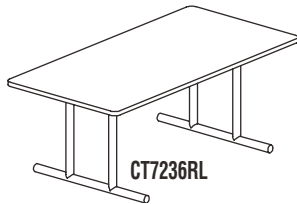
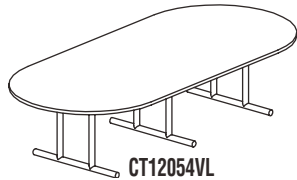
Mayline Customer Service: 1-800-822-8037

## GENEVA CONFERENCE TABLES

Full-size conference tables featuring sturdy tubular steel bases with high-pressure laminate surfaces.

### Specifications

- Three shapes of conference surfaces: Racetrack, Boat, and Rectangular.
- Two shapes of occasional surfaces: Full Round and 3-Sided.
- Heavy gauge tubular steel bases available in both Chrome and Black.
- High pressure laminate surfaces with durable T-mold edge. Threaded metal-to-metal connections allow for quick installations.
- All tables 29"H overall.
- All tables priced standard with two legs, except for 120" with three legs.



Model No.	Description	Wt.	List Price
CT7236RL	72" x 36" Rectangular Surface	95#	\$893
CT7236BL	72" x 36" Boat Surface	95#	\$893
CT7236VL	72" x 36" Racetrack Surface	95#	\$893
CT9648RL	96" x 48" Rectangular Surface	165#	\$1006
CT9648BL	96" x 48" Boat Surface	165#	\$1006
CT9648VL	96" x 48" Racetrack Surface	165#	\$1006
CT9654RL	96" x 54" Rectangular Surface	185#	\$1032
CT9654BL	96" x 54" Boat Surface	185#	\$1032
CT9654VL	96" x 54" Racetrack Surface	185#	\$1032
CT10848RL	108" x 48" Rectangular Surface	185#	\$1107
CT10848BL	108" x 48" Boat Surface	185#	\$1107
CT10848VL	108" x 48" Racetrack Surface	185#	\$1107
CT10854RL	108" x 54" Rectangular Surface	210#	\$1207
CT10854BL	108" x 54" Boat Surface	210#	\$1207
CT10854VL	108" x 54" Racetrack Surface	210#	\$1207
CT12048RL	120" x 48" Rectangular Surface	210#	\$1333
CT12048BL	120" x 48" Boat Surface	210#	\$1333
CT12048VL	120" x 48" Racetrack Surface	210#	\$1333
CT12054RL	120" x 54" Rectangular Surface	235#	\$1409
CT12054BL	120" x 54" Boat Surface	235#	\$1409
CT12054VL	120" x 54" Racetrack Surface	235#	\$1409
CT42RL	42" Round Surface	75#	\$755
CT48RL	48" Round Surface	95#	\$779
CT3SL	39" 3-Sided Surface	75#	\$704

# ACCESSORIES

Mayline Customer Service: 1-800-822-8037

## PRESENTATION STAND

- Designed to support laptops, overhead projector, or LCD projector.
- Front surface supporting projectors is adjustable to three positions on 4"H increments from 30 1/2"-38 1/2"H.
- Standard casters, two locking.
- Top surface is 38 1/2"H providing a comfortable position for standing presentations.
- Rugged steel frame construction with attractive perforated leg detail. All threaded, metal-to-metal connections.
- Ships UPS.

**Standard Finishes:** Black frame with reversible Anthracite/Folkstone surfaces **only**.

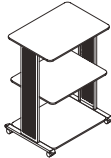


Model No.	Dimensions	Wt.	List Price
* 1010PC	18 1/2"W x 36"D x 38 1/2"H	75#	\$420

## AUDIO/VISUAL CART

- Designed to support up to 35" TV / Monitor and other A/V equipment.
- All three shelves measure 36 1/2"W x 26"D x 3/4"H.
- Middle shelf adjustable on 2" increments to 5 positions.
- Standard 4-outlet power module and safety strap.
- Rugged steel frame construction with attractive perforated leg detail. All threaded, metal-to-metal connections.
- Standard 3" dia. Casters, two locking.
- 400 lb. capacity

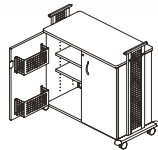
**Standard Finishes:** Black frame with reversible Anthracite/Folkstone surfaces **only**.



Model No.	Dimensions	Wt.	List Price
* 1010AV	36 1/2"W x 32 1/2"D x 42 1/2"H	91#	\$544

## HOSPITALITY CART

- Consistent design details with the 1010PC and 1010AV.
- Comes standard with two adjustable shelves.
- Locking casters provide easy mobility.
- Left-side door has two perforated steel storage pockets sized perfectly for 2 liter bottles.
- Easy to assemble using quarter-turn cam fasteners.
- Doors have self-closing cabinet hinges, attractive door pull, and standard lock.
- Handle provided on both left and right legs at a comfortable operating height.
- **Standard Finishes:** Black frame with Anthracite surfaces and shelves.



1015HC

Model No.	Dimensions	Wt.	List Price
* 1015HC	45 1/2"L x 21 3/4"W x 42 3/4"H	150#	\$675

## LIGHTED LECTERN

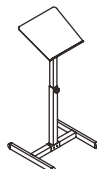
- Consistent design details with the 1010PC, 1010AV and Hospitality Cart.
- All steel construction.
- Perforated column detail.
- Platform height adjusts from 33" to 47" in 1" increments without use of tools or knobs.
- Platform at 25° tilt.
- Platform is 21"W x 16"D with paper stop.
- Light included – 25 watt, UL approved, 8' cord.
- Integrated wheels for easy mobility.
- Ships UPS.
- **Standard Finish:** Black only.



Model No.	Dimensions	Wt.	List Price
* 1050LT	22"W x 18"D x 51"H	24#	\$495

## LECTERN

- All steel construction.
- Platform height adjusts from 33" to 50" with one adjustment knob.
- Platform at 25° tilt.
- Platform is 18"W x 16"D with paper stop.
- Ships UPS.
- **Standard Finish:** Black only.



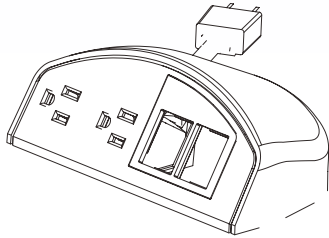
Model No.	Dimensions	Wt.	List Price
* 1040LT	22"W x 21"D x 55"H	14#	\$123

## POWER/DATA MODULE

Mayline Customer Service: 1-800-822-8037

- UL listed
- Assembles easily to table tops maximum top thickness: 1 1/4".
- Adaptable voice and data connections to meet most applications.
- Compatible with all commonly used Cat 3, Cat 5, Cat 5e, and Cat 6 jacks.

- 2 data jacks and power outlets.
- 72" 15 amp cord.
- Available in Black only.
- Ships UPS.



Model No.	Dimensions	Wt.	List Price
* 350190	6 1/4"W x 4"H	3#	\$152

## STACKABLE CHAIR

- Plastic molded arms, plywood inner shell
- Nylon fabric upholstery

- Chairs are stackable to 6 high
- Tubular steel frames

- Ships UPS.



9501

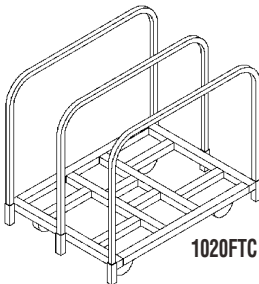
Model No.	Dimensions	Wt.	List Price
* 9501CH	24"W x 24"D x 32"H	15#	\$199

Available in Black, Blue, Burgundy, Charcoal

## FOLDING TABLE CART

- Holds up to four folded tables
- Fits easily through standard doorways
- Removable handles for ease of loading and unloading

- Contact surfaces protected with a durable coating
- Heavy-duty, industrial casters for ease of mobility
- **Standard Finish:** Black



1020FTC

Model No.	Dimensions	Wt.	List Price
* 1020FTC	27 1/2"W x 38 1/2"L x 34"H	68#	\$1001

## PLASMA SCREEN CONSOLE AND OPTIONAL MOUNTING RACK

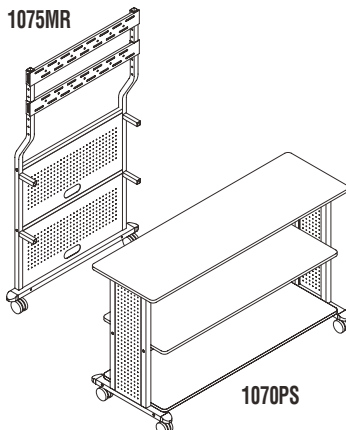
### Console

- Designed to support free-standing plasma and LCD screens on top surface
- Shelves provide ample storage space for VCR and DVD equipment
- Mobile on four casters, two locking
- Includes 4-outlet power module
- 450 lb. weight capacity
- **Standard Finish:** Black Frame with Anthracite surfaces and shelves

### Mounting Rack

- Improve line of vision by mounting off of surfaces.
- Universal mounting rack fits virtually any LCD or plasma screen. from 32" up to 60"
- Mounts directly to console with solid metal to metal connections
- 450 lb. weight capacity
- **Standard Finish:** Black

1075MR



1070PS

Model No.	Dimensions	Wt.	List Price
* 1075MR	Mounting Rack, 33 1/4"W x 5"D x 64"H	55#	\$197

Model No.	Dimensions	Wt.	List Price
* 1070PS	Console, 60"W x 23"D x 36"H	120#	\$572





# *Height Adjustable Workstations*

---



---

**Manual Crank Tables**  
**Electric Tables**

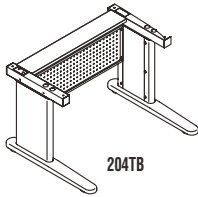
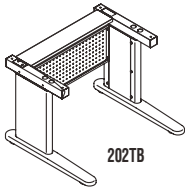
**Lift System:** Simple hand-crank adjustment at 6 turns per inch. Right- or left-handed operation. 150 lb. maximum payload.

**Travel Range:** 11" of travel from 22" to 33". Optional DataCenter on keyboard surface extends range from 14" to 40".

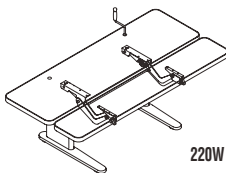
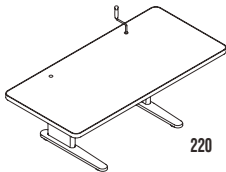
**Keyboard Surface:** DataCenter mechanism adjusts from 8" below to 7" above work surface. Features +15° to -15° tilt.

**Work Surface:** 1" thick top finished with durable, scratch-resistant low-pressure laminate or 1 1/8" high-pressure laminate, both finished with T-mold edge.

**Base:** Available in Black, Pebble Gray or Graphite paint as standard. Call Customer Service for other color availability.



Model No.	Description	Wt.	List Price
<b>VariTask Basic – Base Only</b>			
202TB	For 36" and 42" work surfaces	47#	\$741
204TB	For 48" and 60" work surfaces	55#	\$741
200LC	Pair of Decorative Leg Covers, Optional	10#	\$98



Low-Pressure Laminate Model No.	Description	Wt.	Low-Pressure Laminate List Price	Laminate List Price	Post-Formed Edge List Price
<b>VariTask Basic – Single Surface Rectangular</b>					
				"L" Suffix	"P" Suffix
* 205	36" x 30"	89#	\$1015	\$1050	\$1088
* 210	42" x 30"	97#	\$1064	\$1114	\$1150
215	48" x 30"	105#	\$1138	\$1175	\$1211
220	60" x 30"	120#	\$1162	\$1237	\$1275

**VariTask Basic – Dual Surface with DataCenter Keyboard Mechanism**

205W	36" x 30"	110#	\$1670	\$1769	\$1868
210W	42" x 30"	119#	\$1706	\$1806	\$1905
215W	48" x 30"	131#	\$1744	\$1844	\$1943
220W	60" x 30"	147#	\$1782	\$1882	\$1980

**VariTask Basic – Kidney Shaped Single Surface**

230	48" x 36"	115#	\$1287	\$1387	N/A
240	60" x 36"	130#	\$1400	\$1498	N/A

**VariTask Basic – Single Surface Corner Unit**

250	42" x 30"	103#	\$1101	\$1200	\$1299
260	45" x 30"	107#	\$1138	\$1237	\$1336
270	48" x 30"	122#	\$1275	\$1373	\$1473

**VariTask Basic – Dual Surface Corner Unit with DataCenter Keyboard Mechanism**

250W	42" x 30"	121#	\$1696	\$1794	\$1894
260W	45" x 30"	127#	\$1731	\$1830	\$1930
270W	48" x 30"	154#	\$1769	\$1868	\$1968

**VariTask Basic – Curved Dual Surface Corner Unit with DataCenter Keyboard Mechanism**

280W	42" x 30"	121#	\$1956	\$2056	N/A
290W	45" x 30"	127#	\$2007	\$2104	N/A
295W	48" x 30"	154#	\$2067	\$2167	N/A

**Note:** DataCenter keyboard mechanisms are available for \$503 list each. See page 92 for more details.

**Drive System:** 110V, 60 H input, 24V DC motor. 150 lb. capacity. Draws 1.2 amps under full load.

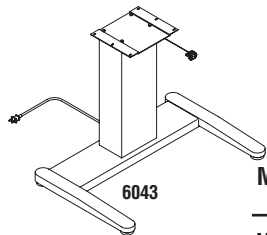
**Travel Range:** 16" of vertical adjustment from 26" to 42": Full travel time is 18 seconds.

**Keyboard Surface:** DataCenter mechanism adjusts from 8" below to 7" above work surface. Both have +15° to -15° tilt.

**Work Surfaces:** Thermally-fused low-pressure laminate with T-mold edge is standard. Add "L" suffix for high pressure laminate with T-mold edge (prices shown).

**DataCenter Surface:** 11"D x 27"W (minimum) for rectangular configurations.

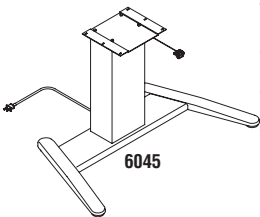
**Kwik-Ship Finishes:** Black paint, Speckled Gray Matrix and Birch low-pressure laminate.



Model No.	Description	Wt.	List Price
-----------	-------------	-----	------------

**VariTask® E-Series Base Only**

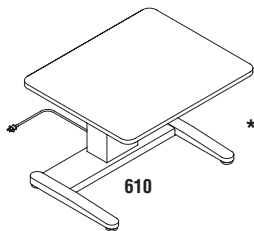
<b>6043</b>	Base for rectangular top sizes up to 48"W x 30"D, 48" x 30" corner, 16" travel	75#	\$1308
<b>6045</b>	Base for corner top sizes up to 30" x 48", 16" travel - wedge shape	75#	\$1308
<b>6047</b>	Base for corner top sizes up to 36"W x 24"D, and 42"W - wedge shape, 16" travel	67#	\$1308



Model No.	Description	Wt.	Low-Pressure Laminate List Price	Standard Laminate List Price	Laminate Post-Formed Edge List Price
-----------	-------------	-----	----------------------------------	------------------------------	--------------------------------------

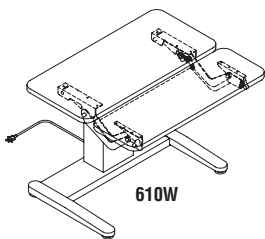
**VariTask® E-Series - Single surface.**

				"L" Suffix	"P" Suffix
* <b>605</b>	36" x 30"	123#	\$1482	\$1595	\$1685
<b>610</b>	42" x 30"	124#	\$1497	\$1651	\$1740
<b>615</b>	48" x 30"	135#	\$1546	\$1707	\$1798



**VariTask® E-Series - Dual surface with 11" D DataCenter Keyboard Mechanism.**

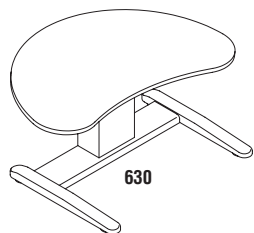
				"L" Suffix	"P" Suffix
<b>605W</b>	36" x 30" with DataCenter	144#	\$2102	\$2231	\$2321
<b>610W</b>	42" x 30" with DataCenter	149#	\$2155	\$2280	\$2371
<b>615W</b>	48" x 30" with DataCenter	155#	\$2184	\$2345	\$2437



**Note:** DataCenter keyboard mechanisms are available for \$528 list each. See page 126 for more details.

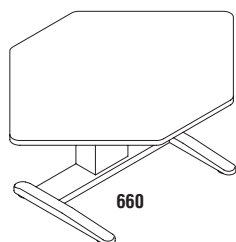
**VariTask® E-Series - Kidney shaped single surface.**

				"L" Suffix	"P" Suffix
<b>630</b>	48" x 36" - Low-pressure laminate	144#	\$2102	\$2231	N/A



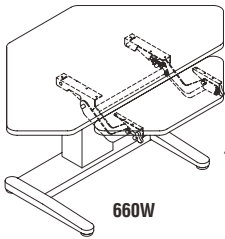
**VariTask® E-Series - Single surface corner unit.**

				"L" Suffix	"P" Suffix
<b>650</b>	42" x 30"	135#	\$1806	\$1987	\$2077
<b>660</b>	45" x 30"	144#	\$1842	\$2032	\$2122
<b>670</b>	48" x 30"	151#	\$1870	\$2064	\$2156



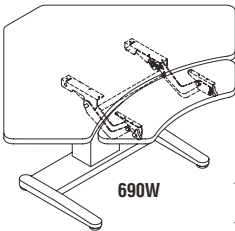
**E-SERIES (CONTINUED)**

Mayline Customer Service: 1-800-822-8037



660W

Model No.	Description	Wt.	Low-Pressure Laminate List Price	Standard Laminate List Price	Laminate Post-Formed Edge List Price
<b>VariTask® E-Series - Corner dual surface with DataCenter Keyboard Mechanism.</b>				"L" Suffix	"P" Suffix
85942W	42" x 24"	150#	\$2344	\$2445	\$2535
*650W	42" x 30"	155#	\$2363	\$2457	\$2549
660W	45" x 30"	163#	\$2411	\$2574	\$2664
670W	48" x 30"	172#	\$2476	\$2639	\$2729



690W

Model No.	Description	Wt.	Low-Pressure Laminate List Price	Standard Laminate List Price	Laminate Post-Formed Edge List Price
<b>VariTask® E-Series Curved - Corner dual surface with DataCenter Keyboard Mechanism.</b>				"L" Suffix	"P" Suffix
680W	42" x 30"	155#	\$2665	\$2838	N/A
685W	45" x 30"	163#	\$2718	\$2890	N/A
690W	48" x 30"	172#	\$2790	\$2962	N/A



604TC

Model No.	Description	Wt.	List Price
<b>Decorative E-Series Column Cover</b>			
604TC	Column Cover	2#	\$50

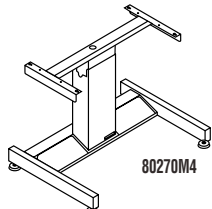
**Drive System:** 110v, 60 Hz, AC motor. 250 pounds of lifting capacity per column. No belts, pulleys, or hydraulics. Draws 1.6 amps under full load.

**Travel Range:** 14" vertical adjustment from 26" to 40". DataCenter adjustable keyboard support extends keyboard range from 18" to 47". Travel time is 24 sec.

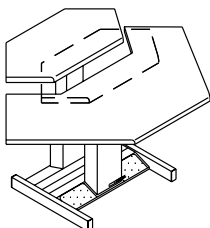
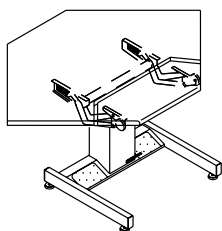
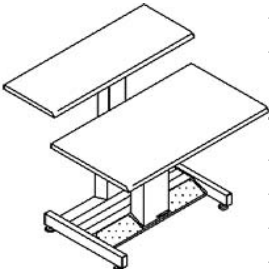
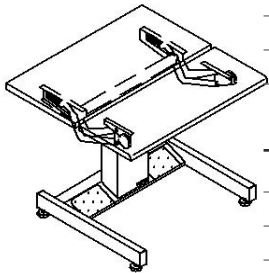
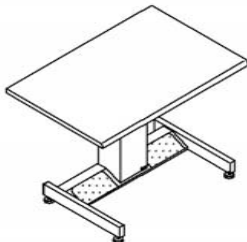
**Work Surfaces:** 1 1/8" high pressure laminate with T-mold edge is standard.

**Keyboard Surface:** DataCenter mechanism adjusts from 8" below to 7" above work surface. Both have +15° to -15° tilt.

**Rear Slide:** Units with rear surface slide option allow for 12" of forward movement. 150 lb. load maximum.



80270M4



Model No.	Description	Wt.	List Price
<b>VariTask® Classic Base Only</b>			
80270M4	Power base for single surface 48"W x 30"D rectangular top, 14" travel	117#	\$2331
80270P4	Power base for single surface 45"W x 30"D corner top, 14" travel	115#	\$2331
80370M4	Same as 80270M4 above except 18" travel, 29" to 47"	122#	\$2654
80370P4	Same as 80270P4 above except 18" travel, 29" to 47"	120#	\$2654

**Note:** Additional bases available for other top configurations. Call Customer Service for information.

Model No.	Description	Std. Wt.	Laminate T-mold List Price	Post Formed List Price
<b>VariTask® Adjustable Workcenter - Single Column, single surface with power height.</b>				"P" Suffix
12330L	30"D x 30"L work surface.	176#	\$2684	\$2779
12336L	30"D x 36"L work surface.	186#	\$2842	\$2937
12348L	30"D x 48"L work surface.	206#	\$2995	\$3091
12360L	30"D x 60"L work surface.	226#	\$3172	\$3267

**VariTask® DataCenter - Single Column with DataCenter keyboard support. Adjusts 8" below to 7" above work surface.**

12730WL	18"D x 30"L work surface with 14"D x 30"L DataCenter.	127#	\$3172	\$3267
12736WL	18"D x 36"L work surface with 14"D x 36"L DataCenter.	135#	\$3344	\$3440
12742WL	18"D x 42"L work surface with 14"D x 42"L DataCenter.	143#	\$3482	\$3576
12748WL	18"D x 48"L work surface with 14"D x 48"L DataCenter.	155#	\$3611	\$3707
12760WL	18"D x 60"L work surface with 14"D x 60"L DataCenter.	179#	\$3872	\$3967

**VariTask® Adjustable Workcenter - Dual Column with power height. Optional 12" rear slide. Optional manual tilt.**

25300L	24"D x 48"L work surface, 18"D x 48"L rear surface.	325#	\$5228	\$5324
25302L	24"D x 48"L work surface, 18"D x 48"L rear surface. Slide on rear surface.	335#	\$5604	\$5700
25412L	30"D x 48"L work surface, 18"D x 48"L rear surface. Manual front tilt. Rear slide.	363#	\$5981	\$6076
27300L	24"D x 60"L work surface, 18"D x 60"L rear surface.	341#	\$5317	\$5412
27302L	24"D x 60"L work surface, 18"D x 60"L rear surface. Slide on rear surface.	335#	\$5695	\$5792
27412L	30"D x 60"L work surface, 18"D x 60"L rear surface. Manual front tilt. Rear slide.	369#	\$6066	\$6160

**Corner VariTask® - Single Column with power height and DataCenter keyboard surface.**

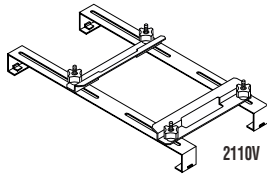
12563WL	42" Corner for 30" deep reference tables.	190#	\$4014	\$4111
12564WL	45" Corner for 30" deep reference tables.	192#	\$4103	\$4198
12565WL	48" Corner for 30" deep reference tables.	194#	\$4194	\$4290

**Corner VariTask® - Dual Column with power height. Optional rear slide.**

42300L	Corner unit, dual surface, 42" x 30" top.	233#	\$5704	\$5799
42302L	Corner unit, dual surface with rear slide. 42" x 30" top.	255#	\$6076	\$6172
45300L	Corner unit, dual surface, 45" x 30" top.	237#	\$5789	\$5884
45302L	Corner unit, dual surface with rear slide. 45" x 30" top.	260#	\$6169	\$6263
47300L	Corner unit, dual surface, 48" x 30" top.	240#	\$5881	\$5978
47302L	Corner unit, dual surface with rear slide. 48" x 30" top.	265#	\$6257	\$6353

**VARITASK® CLASSIC ACCESSORIES**

Mayline Customer Service: 1-800-822-8037



Model No.	Description	Wt.	List Price
<b>Monitor Clamp Brackets</b>			
2110V	Monitor Clamp Brackets - recommended for use with monitors on all VariTask® rear power tilt surfaces, 18" deep work surfaces only, post-formed or t-mold.	5#	\$144

**VARITASK® STEALTH**

NOTE: Not on GSA.

Mayline Customer Service: 1-800-822-8037

**Drive System:** 115V, 60 AC input/24V DC motor. Total lifting capacity for a 2 pod unit is 450 lbs. and 550 lbs. for a 3 pod system. Combine up to three on one switch. All units draw maximum 1.6 amps under full load.

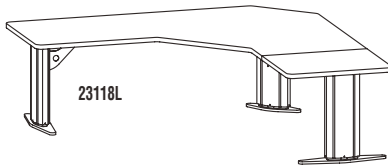
**Travel Range:** 16" of vertical adjustment from 26" to 42" by way of simple touch button. DataCenter option extends keyboard range from 18" to 49".

**Keyboard Surface:** DataCenter mechanism adjusts from 8" below to 7" above work surface with a +15° to -15° tilt.

**Work Surface:** 1 1/8" high-pressure laminate with T-mold edge is standard.

**Modesty Panels:** Available on some models. Contact Customer Service for details.

**Control Switch:** Standard with 3-position memory settings.

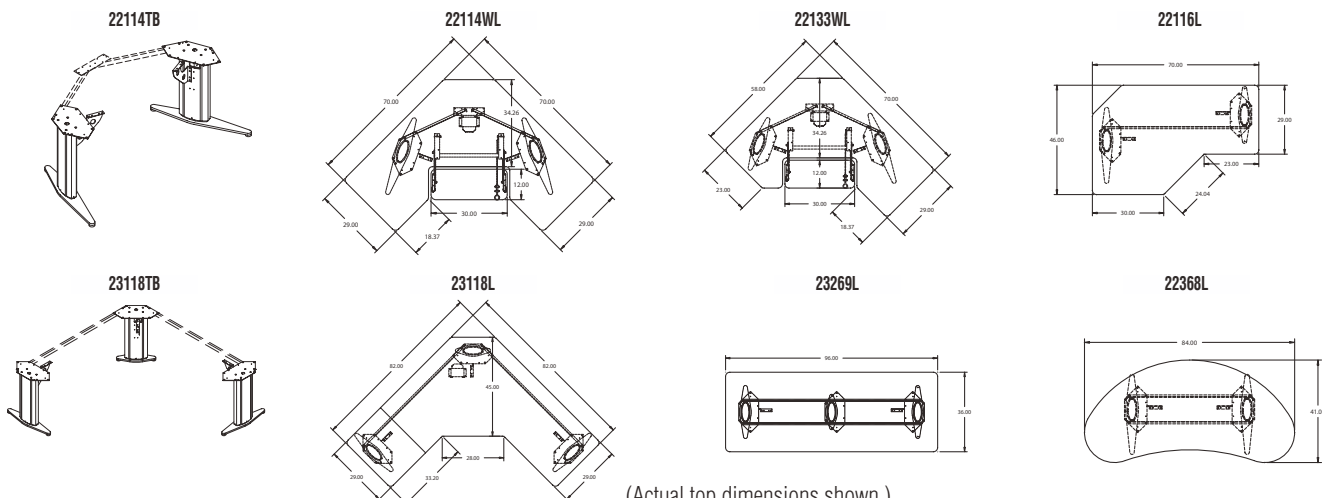


Typical models are shown below, but limitless custom configurations are available. Contact Mayline Customer Service at 1-800-822-8037 for more information on the versatile Stealth.

Model No.	Description	Wt.	No. of Pods	List Price
<b>VariTask® Stealth Base Only</b> - Includes pods, control box, cables and switches.				
22114TB	Recommended for corner unit measuring no more than 30" x 72" x 72" x 30"	96#	2	\$3157
23118TB	Recommended for corner unit larger than 72" but not to exceed 102"	138#	3	\$5047

**Note:** Does not include pod alignment angles for work surface mounting. Contact Customer Service for verification of sizes required for application.

Model No.	Description	Wt.	No. of Pods	List Price
<b>VariTask® Stealth</b>				
22114L	Corner unit, 30" x 72" x 72" x 30"	253#	2	\$4287
22114WL	Corner unit with DataCenter keyboard surface, 30" x 72" x 72" x 30"	270#	2	\$5108
22133WL	Corner unit with DataCenter keyboard surface, 24" x 60" x 72" x 30"	263#	2	\$4914
22116L	Corner unit, 30" x 48" x 72" x 30"	239#	2	\$3888
23118L	Corner unit, 30" x 84" x 84" x 30"	258#	3	\$5908
23269L	Rectangular unit, 96" x 36"	241#	3	\$5388
22368L	Kidney-shaped unit, 84" x 36"	220#	2	\$3810
23118WL	Corner unit with DataCenter keyboard surface, 30" x 84" x 84" x 30"	285#	3	\$6731



(Actual top dimensions shown.)



**Drive System:** 24V, Chain Drive, DC motor. 2-leg system has 250 lbs. lifting capacity and draws a maximum of 3 amps. The 3-leg system has 375 lbs. of lifting capacity and draws a maximum of 4.5 amps start-up and full load.

**Travel Range:** 26.5" of vertical adjustment from 24" to 50.5" by way of simple to use control switch.

**Work Surfaces:** 1 1/8" high pressure laminate with T-mold edge is standard.

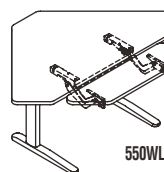
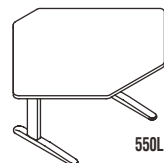
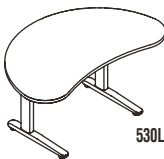
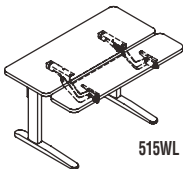
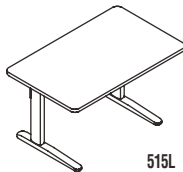
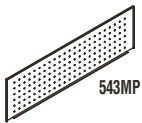
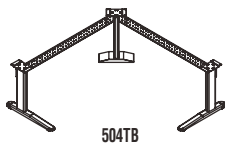
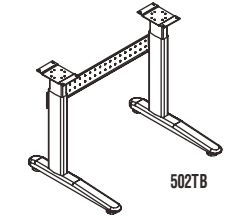
**DataCenter Surfaces:** 11"D x 30"W (minimum) for rectangular configurations.

**Keyboard Surface:** Optional mechanism extends keyboard range to 8" below and/or 7" above monitor surface. Tilt range is +15° to -15° tilt.

**Control Switch:** Standard with 3 position memory settings.

**Modesty Panel:** Optional as an 18 gauge perforated 10"H steel panel. Available in Mayline standard colors.

**Base:** Consists of 14 gauge legs and rigid 14 gauge cross brace. Available in black only. Base ships KD. Due to the precision alignment of the height-adjustable legs, it is critical the unit is properly leveled for optimum performance.

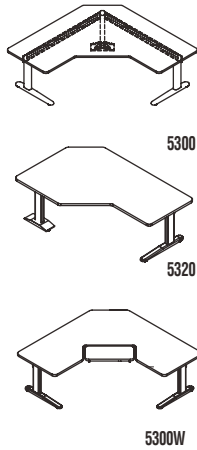


Model No.	Description	Wt.	HPL List Price
<b>VariTask® XR</b>	Base Only-includes columns, control box, cross brace, cables and switch		
<b>502TB</b>	For 36"-42" tops - 2 columns	47#	\$1736
<b>503TB</b>	For 48"-60" tops - 2 columns	50#	\$1798
<b>506TB</b>	For 30" x 48" x 72" x 30" right-hand return - 3 columns	67#	\$2355
<b>507TB</b>	For 30" x 72" x 48" x 30" left-hand return - 3 columns	67#	\$2355
<b>504TB</b>	For 72" x 30" x 72" corner - 3 columns	70#	\$2416
<b>505TB</b>	For 84" x 30" x 84" corner - 3 columns	75#	\$2360
<b>Optional Modesty Panel</b>			
<b>537MP</b>	For 36"-42" wide tables (Qty 1)	20#	\$107
<b>543MP</b>	For 48"-60" wide tables (Qty 1)	22#	\$118
<b>549MP</b>	For 72" x 72" corner tables (Qty 2)	38#	\$294
<b>561MP</b>	For 84" x 84" corner tables (Qty 2)	40#	\$326
<b>562MP</b>	For 72" x 48" corner table (Qty 1 of each size)	40#	\$265
<b>VariTask® XR</b>	Single Surface Rectangular		
<b>505L</b>	36" x 30"	89#	\$2030
<b>510L</b>	42" x 30"	97#	\$2066
<b>515L</b>	48" x 30"	105#	\$2124
<b>520L</b>	60" x 30"	120#	\$2240
<b>VariTask® XR</b>	Dual Surface Rectangular with DataCenter Mechanism		
<b>505WL</b>	36" x 30"	110#	\$2660
<b>510WL</b>	42" x 30"	119#	\$2710
<b>515WL</b>	48" x 30"	131#	\$2777
<b>520WL</b>	60" x 30"	147#	\$2895
<b>VariTask® XR</b>	Kidney Shaped Single Surface		
<b>530L</b>	48" x 36"	115#	\$2337
<b>540L</b>	60" x 36"	130#	\$2500
<b>VariTask® XR</b>	Single Surface Corner Unit		
<b>550L</b>	42" x 30"	103#	\$2410
<b>560L</b>	45" x 30"	107#	\$2456
<b>570L</b>	48" x 30"	122#	\$2491
<b>VariTask® XR</b>	Dual Surface Corner Unit with DataCenter Mechanism		
<b>550WL</b>	42" x 30"	121#	\$2780
<b>560WL</b>	45" x 30"	127#	\$2894
<b>570WL</b>	48" x 30"	154#	\$2957
<b>VariTask® XR</b>	Curved Dual Surface Corner Unit with DataCenter Mechanism		
<b>580WL</b>	42" x 30"	121#	\$2900
<b>590WL</b>	45" x 30"	127#	\$2947
<b>595WL</b>	48" x 30"	154#	\$3010



**XR (CONTINUED)**

Mayline Customer Service: 1-800-822-8037



Model No.	Description	Wt.	HPL List Price
<b>VariTask® XR</b> 3 Column Laminate Single Surface Corner			
5300L	30" x 72" x 72" x 30"	253#	\$3334
5310L	30" x 84" x 84" x 30"	258#	\$3512
5320L	30" x 48" x 72" x 30" - right handed	239#	\$2897
5330L	30" x 72" x 48" x 30" - left handed	239#	\$2897
<b>VariTask® XR</b> 3 Column Laminate Single Surface Corner with Data Center Mechanism			
5300WL	30" x 72" x 72" x 30"	258#	\$3977
5310WL	30" x 84" x 84" x 30"	285#	\$4157
5320WL	30" x 48" x 72" x 30" - right handed	244#	\$3438
5330WL	30" x 72" x 48" x 30" - left handed	244#	\$3438

Note: DataCenter keyboard mechanisms are available for \$503 list each. See below for more details.

**ERGONOMIC ACCESSORIES**

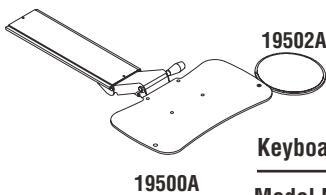
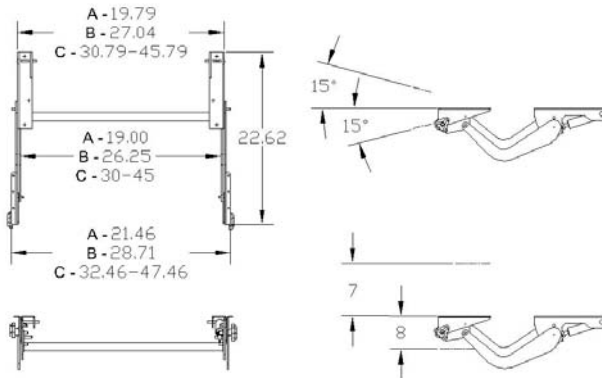
Mayline Customer Service: 1-800-822-8037



**Data Center Keyboard Mechanisms**

Sit/Stand height adjustable keyboard arm with paddle actuated spring brake height adjustment and lever for tilt. Variable width configurations, fixed mount application. Available in 19", 26.25" widths. Please contact Customer Service for compatibility on rectangular and corner workstations to insure proper fit.

Model No.	Description	Wt.	List Price
49263	Data Center 19" (A)	22#	\$528
49264	Data Center 26.25" (B)	22#	\$528
49265	Data Center 30"-45" adjustable (C) in 98" or (25mm) increments	22#	\$528

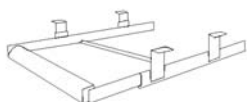


**Keyboard Supports**

Model No.	Description	Wt.	List Price
* 19500A	Retractable keyboard platform 19 1/2"W x 11"D. Black only. +15° to -15° tilt, 360° swivel.	10#	\$261
* 19502A	Optional Mouse Platform for 19500A, +15° to -15° tilt, 360° swivel, 8"W x 9"D	3#	\$104

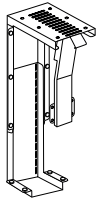
**Keyboard Tray**

- Mounting brackets adjust to seven different heights and can be reversed for inboard or outboard mounting (outboard shown.)
- Features a cushioned wrist rest that is adjustable to five heights
- Accepts keyboards up to 3.6" thick
- Recommended for 29"H worktables only
- Overall space required 21 3/4"W x 17"D (inboard bracket position) or 24" on outboard bracket position
- Not to be used with 24" x 36" corner units and will not fit on 60" worksurface with drawer pedestals on each side



Model No.	Dimensions	Wt.	List Price
3000KB	21 1/4"W x 9 1/2"D	16#	\$213

Available in Black Only.



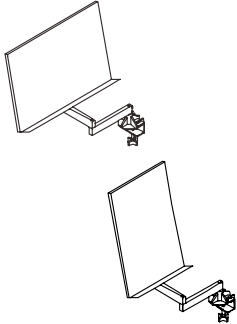
**CPU Rack**

- Mounts vertically to underside of worksurface
- Height adjustable 15" - 24" - Width adjustable 3" - 9"
- Supports up to 85 lbs.
- 16 gauge steel construction
- Single hand operation

Model No.	Dimensions	Wt.	List Price
<b>0600HR</b>	13"D x adjustable height and width	14#	\$232

*Available in Black Only.*

**Articulated Document Holder**



Model No.	Description	Wt.	List Price
<b>2D901</b>	24"W x 18"H, arm extends 20", steel holder is height adjustable and permits use of magnetic fasteners (not included)	24#	\$465
<b>2D902</b>	30"W x 20"H, arm extends 20", steel holder is height adjustable and permits use of magnetic fasteners (not included)	26#	\$493
<b>2D903</b>	18"W x 24"H, with platform on arm that extends 20".	24#	\$465
<b>2D911</b>	24"W x 18"H, with tilting platform on arm that extends 20".	26#	\$497
<b>2D912</b>	30"W x 20"H, with tilting platform on arm that extends 20".	26#	\$524
<b>2D913</b>	18"W x 24"H, with tilting platform on arm that extends 20".	26#	\$497

**Colors:** Standard - Mist (with Black base)



# ***Filing & Storage***

---



---

**Mobile Track Systems**  
**Four Post Shelving**  
**X-Ray Shelving**  
**Tambour Door Cabinets**  
**Rotary Files**  
**Flipper Door Cabinets**  
**Personal Workstation**  
**Organizers**  
**Mobile File Carts**  
**Vertical Hanging Files**  
**Plan Files**

The most important element of any filing project is to create an environment for *proper storage* and *ease of retrieval* of records and information. The Kwik-File solution eliminates wasted aisle space by utilizing it to triple the filing capacity compared to what a conventional filing cabinet would provide. Kwik-File manufactures a complete line of high-density, modular systems that will integrate into any office environment. Our highly trained staff can solve filing and storage problems by analyzing what needs to be stored and how and when it needs to be accessed and handled. Our 810 Manual or our 820 Mechanical Assist systems easily accommodate our 4 post shelving and other manufacturers, including Tennsco and Aurora. Our Mobile Aisle systems provide quick and easy retrieval of side tab media. No heavy drawers to open, no files to thumb through.



To take the trouble and worry out of specifying a Mobile Aisle solution, we will do all the up-front work for you. We offer **FREE DESIGN SERVICE** to not only recommend the best solution, but we will also develop a drawing of your floor plan along with a list of all the materials you need to order...**FREE!** Call 1-800-822-8037 or visit our website at [www.mayline.com](http://www.mayline.com) to begin the process.

**820 Mechanical Assist**

The Kwik-File 820 Mechanical Assist system is operated by a three pronged star handle. Conveniently located in the center of the end panel assembly, the handle will easily move 10,000 pounds of shelving and media with only 1 pound of effort. Multiple ranges can be moved simultaneously promoting increased filing and retrieval time. The heavy-duty mechanical assist design can move ranges up to 30 feet in range length.

**810 Manual System**

The Kwik-File 810 Manual System is designed for smaller filing applications. The system is moved by hand and requires only 4 pounds of effort to move approximately 8000 pounds of shelving and media. An ideal solution for systems with ranges not exceeding 8 feet in length.



Wasted aisle space is eliminated with Kwik-File's high-density mobile filing systems.

**4-POST SHELVING**

- **NO hardware required for installation**
- End panels provide a finished appearance.
- All shelving is offered in 36", 42" and 48" widths.
- All shelving is offered in 12", 15", 24" and 30" depths.
- Dividers interlock with common stop, for stability.
- 4-Post design shelving will support 240 lbs. per shelf.
- **X-ray shelving** will support 1000 lbs. per shelf.
- Easy to relocate.

**MOBILE BASE**

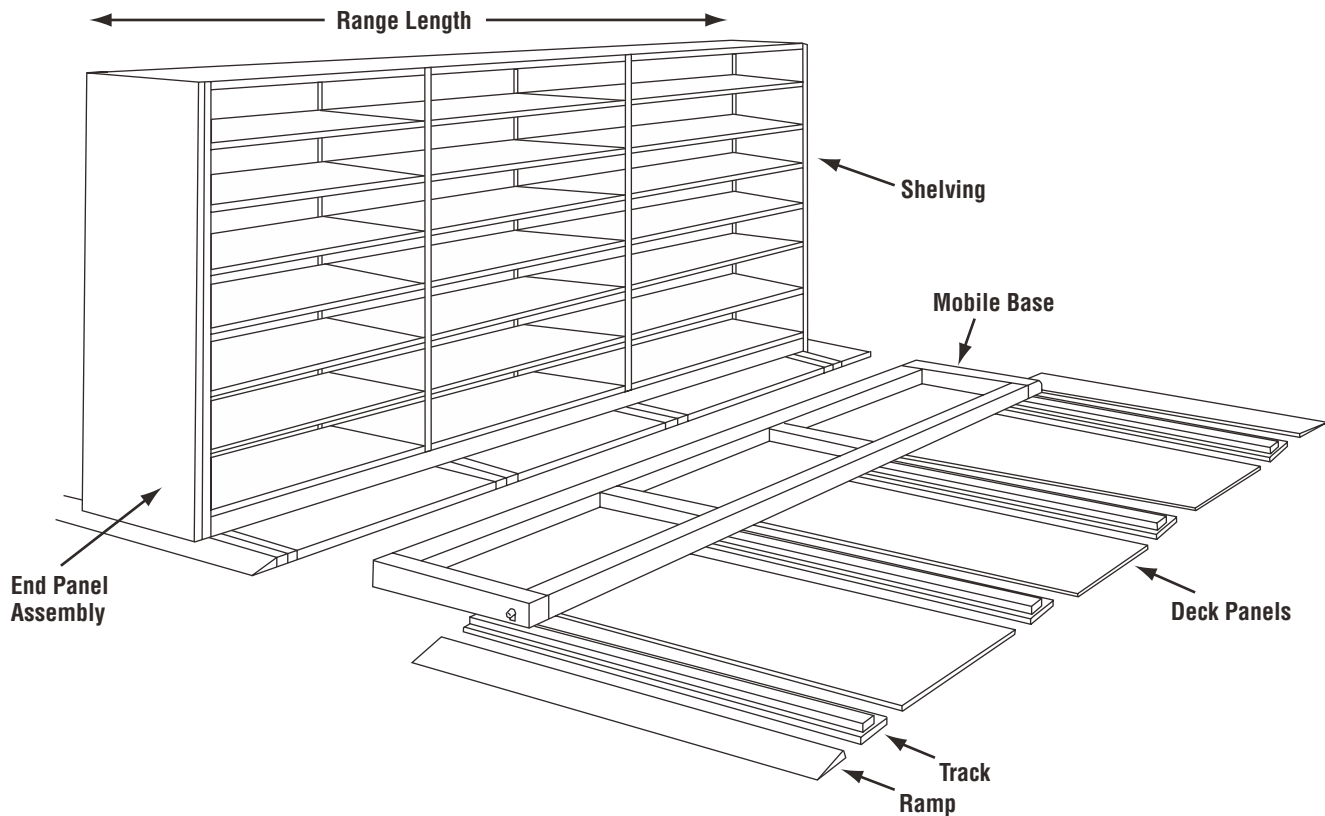
- **Easy to reconfigure and redesign**
- Drive and Idler wheels same size, dual flanged.
- Full length drive shaft runs entire length of range.
- Low profile base, 1.5" overall height.
- Anti-tilt included with each mobile base.

**TRACK, DECKING & RAMPS**

- **Non grouted track**, totally re-levelable at anytime.
- Levelers in pairs positioned every 6".
- Two point contact to floor for weight load distribution.
- Track interlocks and overlaps at all track joints.
- Attachment to floor with hilti (expansion bolt).
- Deck is supplied by Kwik-File.
- Available with carpet (Tan or Grey) or unfinished.
- Deck panels – complete w/ levelers.
- Low profile ramp or handicap ramp options.

**END PANEL DRIVE ASSEMBLIES**

- **1 pound of pressure required to move 10,000 lbs.**
- All steel, *no particleboard*.
- Painted end panels, laminate option.
- 3 drive options, Single, Dual and Heavy Duty.





Our filing experts can help — **FREE OF CHARGE**. If your filing problems can be solved by Mobile Aisle, let us help! Our network of product service specialists are experts at filing solutions and can design Mobile Aisle to fit your filing area perfectly. Our design specialists have extensive knowledge of Mobile Aisle, Mobile Lite, 4-Post, ARC Rotary, X-ray, Flip 'n File, File Harbor and Kwik-Track systems.

Our Space Planners are able to receive requests via email, fax, or via the Mayline website. The filing survey is located at [www.mayline.com](http://www.mayline.com) under Free Design Service. The filing survey takes just a few minutes and will provide our space planners with information to complete a quote and design layout. Custom designs can also be emailed in AutoCAD format to [mayline@mayline.com](mailto:mayline@mayline.com) so they can be inserted into an architectural plan. Regardless of the type of request, we guarantee to have a proposal to you within 72 hours or less to meet your demands.

So call us now at 1-800-822-8037, or fax us at 920-208-7970.

**Kwik - File**  
Storage Systems Division  
Storage Product Quotation

Quotation Received: \_\_\_\_\_  
Date Completed: \_\_\_\_\_  
Dealer: \_\_\_\_\_  
Contact: \_\_\_\_\_  
Prepared by: \_\_\_\_\_  
Quote No.: \_\_\_\_\_

QTY.	ITEM NO.	WGT.	TOTAL WGT.	LIST	TOTAL LIST	DESCRIPTION
<b>SHELVING COMPONENTS</b>						
10	F-2476-L	38.0	380	72.00	\$720.00	76" UPRIGHTS, 7 TIER
10	F-2476-OP	17.0	170	47.00	\$470.00	Closed T.L. Uprights
70	F-4224-SLF	11.5	805	35.00	\$2,450.00	Open Uprights (O/P)
10	F-4224-SU	11.5	115	33.00	\$330.00	Slotted Shelf
35	F-3624-SLF	10.0	350	30.00	\$1,050.00	Unslotted Shelf / Top Canopy
5	F-3624-SU	10.0	50	28.00	\$140.00	Slotted Shelf
140	F-42-SS	1.5	210	7.50	\$1,050.00	Unslotted Shelf / Top Canopy
20	F-42-SSB	1.5	30	10.00	\$200.00	Shelf Support
70	F-36-SS	1.3	88	6.50	\$455.00	Shelf Support Bottom
10	F-36-SSB	1.3	13	9.00	\$90.00	Shelf Support Bottom
140	F-24-SR	0.5	70	5.00	\$700.00	Shelf Reinforcement
14	F-42-BS	1.5	21	8.50	\$119.00	Back Stop
7	F-36-BS	1.3	9	7.50	\$22.50	Back Stop
56	F-42-CS	1.8	98	8.50	\$476.00	Center Stop
28	F-36-CS	1.5	42	7.50	\$210.00	Center Stop
25	F12DV24	25.0	625	96.00	\$2,400.00	12" Dividers - 24/Pkg
3	F12DV6	6.0	18	24.00	\$72.00	12" Dividers - 6/Pkg
2	A35CH5	2.5	5	35.00	\$70.00	Card Holders - 5/Pkg
<b>MOBILE BASES &amp; END PANEL ASSEMBLIES</b>						
2	MBF-4224-FIX	27.0	54	133.00	\$266.00	Mobile Base Fixed
1	MBF-3624-FIX	25.0	25	122.00	\$122.00	Mobile Base Fixed
8	MBF-4224-820	44.0	352	353.00	\$2,824.00	Mobile Base 820
4	MBF-3624-820	41.0	164	338.00	\$1,352.00	Mobile Base 820
1	MAF-2476-FIX	128.0	128	405.00	\$405.00	End Panel Assem. Fixed
4	MAF-2476-820S	161.0	644	665.00	\$2,740.00	End Panel Assem. 820S
<b>DECK, DECK &amp; END TRIM, TRACK &amp; RAMP</b>						
16	MAD-4224-C	28.0	448	76.00	\$1,216.00	Deck w/Carpet
8	MAD-3624-C	24.0	192	76.00	\$608.00	Deck w/Carpet
8	MA-DT2-C	2.0	16	26.00	\$208.00	Deck Trim
2	MA-DET-42	3.0	6	26.00	\$56.00	End Trim
1	MA-DET-36	2.5	3	23.00	\$23.00	End Trim
1	MA-SR-TRIM-KIT	2.0	2	15.00	\$15.00	Trim Kit
4	MAT27S	16.0	64	183.00	\$732.00	Starter Track - 27" L
12	MAT48A	28.0	336	153.00	\$1,836.00	Adder Track - 48" L
1	MASR27	2.9	3	78.00	\$78.00	Steel Ramp - 27" L
3	MASR48	5.9	17	78.00	\$234.00	Steel Ramp - 48" L
8	F-4212-RS	21.3	170	66.00	\$688.00	Pullout Reference Shelf
<b>PAGE 1 LIST SUBTOTAL:</b>			<b>5,529 lbs</b>		<b>\$23,769.50</b>	

**KWIK-FILE**

Division: CSC  
Project No: 110102-2JD Date: 11/01/2002

**KWIK-FILE 4 POST SHELVING  
76" UPRIGHTS, 7 TIER  
LETTER - END TAB FILING  
TOTAL LFI: 7,427**

The overall equipment height specified does not include system loading. A minimum 3" clearance is required between shelving and ceiling structures. This allows for leveling adjustments. A minimum of 12" between shelving equipment and transfer heads is required when transfer systems are installed.

**NOTE: CUSTOMER TO VERIFY ROOM DIMENSIONS, DOORWAY & COLUMN SIZES & LOCATIONS, CEILING HEIGHT, OBSTRUCTIONS IN ROOM, ETC., BEFORE ORDERING**

**Certified Installers**

Kwik-File has their very own Certified Installers. The Certified Installers go through an in-depth training on all of the Filing & Storage System products. To find an installer near you, visit [www.mayline.com](http://www.mayline.com).

FREE Designs and Quotes at your fingertips.



Complete Mobile Lite typical model numbers include the following; one single faced fixed unit, one single face movable unit and a range of 2 to 4 double face movable units. Model numbers also include 7-tier 4-post shelving, back panels for single face units, dividers, half high end panel assembly, key lock included with single face movable unit, plunger lock included with all double face movable units, mobile bases, track and additional track for typical aisle walkway. No decking or ramping required. For special customer requirements please contact the Mayline Group's Space Planning department for free design service at 1-800-822-8037.

Letter Depth Shelving Model Numbers	System Width	Overall Range Length	Overall Height	Wt.	Aisle	LFI	System Size	List Price
<b>ML3672L</b>	118"	44"	79"	1159	36"	1462"	10' x 4'	\$7707
<b>ML3673L</b>	144"	44"	79"	1500	36"	1949"	12' x 4'	\$9974
<b>ML3674L</b>	170"	44"	79"	1844	36"	2437"	15' x 4'	\$12,362
<b>ML4872L</b>	118"	56"	79"	1334	36"	1966"	10' x 5'	\$8,260
<b>ML4873L</b>	144"	56"	79"	1716	36"	2621"	12' x 5'	\$10,767
<b>ML4874L</b>	170"	56"	79"	2099	36"	3276"	15' x 5'	\$13,235
<b>ML7272L</b>	118"	80"	79"	1858	36"	2924"	10' x 7'	\$11,874
<b>ML7273L</b>	144"	80"	79"	2384	36"	3898"	12' x 7'	\$15,331
<b>ML7274L</b>	170"	80"	79"	2909	36"	4874"	15' x 7'	\$18,904
<b>ML9672L</b>	118"	104"	79"	2202	36"	3932"	10' x 9'	\$13,178
<b>ML9673L</b>	144"	104"	79"	2810	36"	5242"	12' x 9'	\$17,308
<b>ML9674L</b>	170"	104"	79"	3417	36"	6552"	15' x 9'	\$21,002

**System Width:** Total length from left to right of system.

**Overall Range Length:** From wall to the tip of the handle (dimension includes 1 1/2" clearance from wall).

**Overall Height:** Distance from the floor to the top of shelving.

**Aisle:** Walkway between ranges.

**LFI:** The amount of Linear Filing Inches offered in each typical.

**System Size:** Footprint of the system.

**Letter**

**ML3672L**

**ML = Mobile Lite**

**36 = Overall shelving length in inches.**

**7 = Number of shelves per unit.**

**2 = Number of double face movable units.**

**L = Letter media.**

**Letter**

**ML4874L**

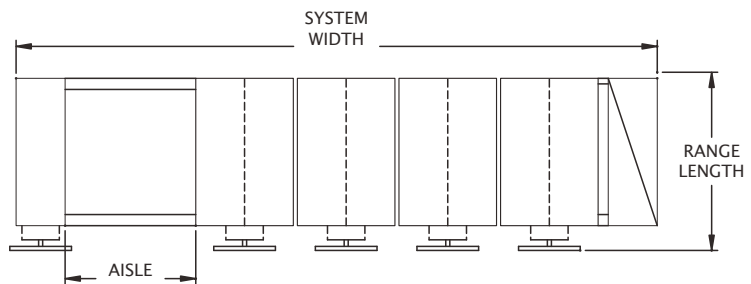
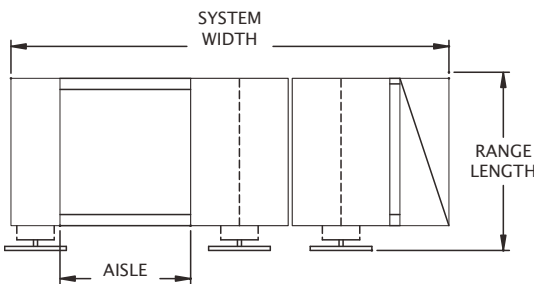
**ML = Mobile Lite**

**48 = Overall shelving length in inches.**

**7 = Number of shelves per unit.**

**4 = Number of double face movable units.**

**L = Letter media.**



**MOBILE LITE TYPICALS**

Mayline Customer Service: 1-800-822-8037

Legal Depth Shelving Model Numbers	System Width	Overall Range Length	Overall Height	Wt.	Aisle	LFI	System Size	List Price
ML3672G	135"	44"	79"	1337	36"	1462"	12' x 4'	\$8,194
ML3673G	167"	44"	79"	1745	36"	1949"	14' x 4'	\$10,739
ML3674G	199"	44"	79"	2153	36"	2437"	17' x 4'	\$13,222
ML4872G	135"	56"	79"	1505	36"	1966"	12' x 5'	\$8,682
ML4873G	167"	56"	79"	1955	36"	2621"	14' x 5'	\$11,349
ML4874G	199"	56"	79"	2405	36"	3276"	17' x 5'	\$13,954
ML7272G	135"	80"	79"	2153	36"	2924"	12' x 7'	\$12,635
ML7273G	167"	80"	79"	2770	36"	3898"	14' x 7'	\$16,477
ML7274G	199"	80"	79"	3431	36"	4874"	17' x 7'	\$20,228

X-Ray Depth Shelving Model Numbers	System Width	Overall Range Length	Overall Height	Wt.	Aisle	LFI	System Size	List Price
ML3652X	160"	44"	89"	1297	42"	1044"	14' x 4'	\$10,241
ML3653X	198"	44"	89"	1695	42"	1392"	17' x 4'	\$13,379
ML3654X	236"	44"	89"	2097	42"	1740"	20' x 4'	\$16,513
ML4852X	160"	56"	89"	1465	42"	1404"	14' x 5'	\$10,506
ML4853X	198"	56"	89"	1905	42"	1872"	17' x 5'	\$13,682
ML4854X	236"	56"	89"	2365	42"	2340"	20' x 5'	\$16,855

**System Width:** Total length from left to right of system.

**Overall Range Length:** From wall to the tip of the handle (dimension includes 1 1/2" clearance from wall).

**Overall Height:** Distance from the floor to the top of shelving.

**Aisle:** Walkway between ranges.

**LFI:** The amount of Linear Filing Inches offered in each typical.

**System Size:** Footprint of the system.

**Legal**

ML7273G

ML = Mobile Lite

72 = Overall shelving length in inches.

7 = Number of shelves per unit.

3 = Number of double face movable units.

G = Legal media.

**X-ray**

ML3652X

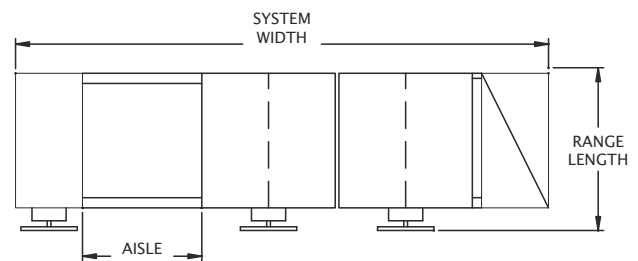
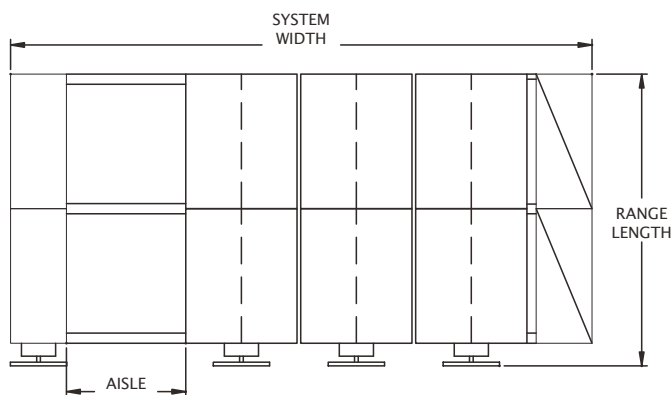
ML = Mobile Lite

36 = Overall shelving length in inches.

5 = Number of shelves per unit.

2 = Number of double face movable units.

X = X-ray media.

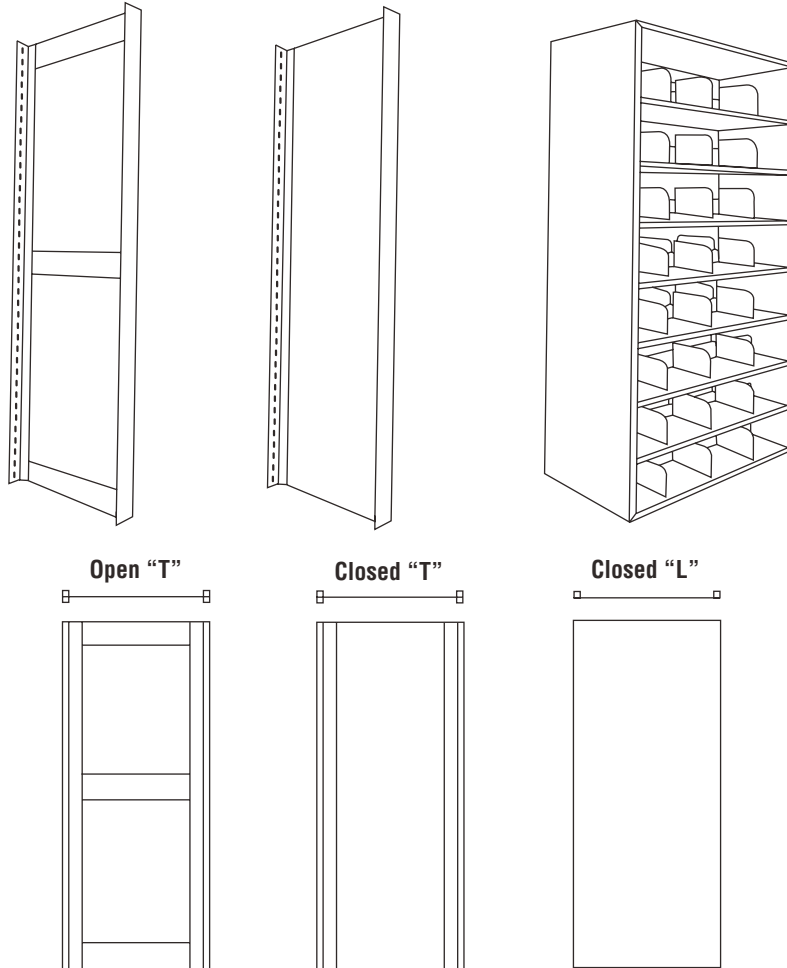


# FOUR POST SHELVING

A complete starter section unit includes two uprights, the required number of shelves (36", 42" or 48" wide), center stops or back stops, shelf supports, shelf reinforcements as required, and one canopy top. Shelves are 22 gauge steel. Adder units include the previously mentioned parts with one upright, closed or open. (Note: Shelf supports and reinforcements are standard in Pebble Gray.) 240# capacity per shelf.

Choose from either closed "L" uprights, closed "T" uprights, or open "T" uprights. "T" uprights are normally for internal range support, while closed "L" uprights provide a more finished external appearance.

Dividers are not included, but are required when using standard common stops. Dividers adjust on 1-1/2" increments. Back panels are optional. Units sold open-back as standard.



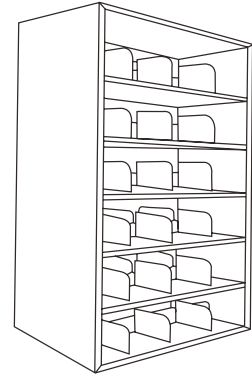
## PRODUCT NUMBERING SYSTEM FOR FOUR POST SHELVING

Product Number Example: **FL3624868S**

- F** Four Post Shelving
- L, T or O** Shelving Type ("L" for Closed L-Upright, "T" for Closed T-Upright, and "O" for Open T-Upright.)
- 36** Shelving Width in Inches (36, 42 or 48)
- 24** Shelving Depth in Inches (12, 15, 24, or 30)
- 86** Upright Height in Inches (65, 76, 86, or 97)
- 8** Number of Usable Shelves (6, 7, 8, or 9)
- S** Starter

**Starter Units with Two Closed "L" Uprights**

Model No.	W	D	H	Wt.	List Price
FL3012656S	30 5/16"	12"	65"	87#	\$429
FL3015656S	30 5/16"	15"	65"	103#	\$456
FL3024656S	30 5/16"	24"	65"	155#	\$618
FL3030656S	30 5/16"	30"	65"	191#	\$708
FL3612656S	36 5/16"	12"	65"	92#	\$429
FL3615656S	36 5/16"	15"	65"	108#	\$456
FL3624656S	36 5/16"	24"	65"	160#	\$618
FL3630656S	36 5/16"	30"	65"	196#	\$708
FL4212656S	42 5/16"	12"	65"	103#	\$461
FL4215656S	42 5/16"	15"	65"	119#	\$508
FL4224656S	42 5/16"	24"	65"	176#	\$677
FL4230656S	42 5/16"	30"	65"	215#	\$782
FL4812656S	48 5/16"	12"	65"	112#	\$500
FL4815656S	48 5/16"	15"	65"	130#	\$541
FL4824656S	48 5/16"	24"	65"	194#	\$753
FL4830656S	48 5/16"	30"	65"	233#	\$814



**Adder Units with Open "T" Upright**

Model No.	W	D	H	Wt.	List Price
F03012656A	30 5/16"	12"	65"	67#	\$363
F03015656A	30 5/16"	15"	65"	96#	\$386
F03024656A	30 5/16"	24"	65"	108#	\$531
F03030656A	30 5/16"	30"	65"	131#	\$591
F03612656A	36 5/16"	12"	65"	72#	\$363
F03615656A	36 5/16"	15"	65"	81#	\$386
F03624656A	36 5/16"	24"	65"	113#	\$531
F03630656A	36 5/16"	30"	65"	136#	\$591
F04212656A	42 5/16"	12"	65"	83#	\$395
F04215656A	42 5/16"	15"	65"	93#	\$438
F04224656A	42 5/16"	24"	65"	129#	\$590
F04230656A	42 5/16"	30"	65"	155#	\$665
F04812656A	48 5/16"	12"	65"	92#	\$434
F04815656A	48 5/16"	15"	65"	104#	\$471
F04824656A	48 5/16"	24"	65"	148#	\$666
F04830656A	48 5/16"	30"	65"	174#	\$697

**With Closed "T" Upright**

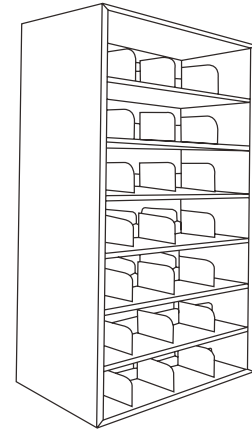
Model No.	Wt.	List Price
FT3012656A	60#	\$406
FT3015656A	83#	\$433
FT3024656A	124#	\$593
FT3030656A	153#	\$675
FT3612656A	76#	\$406
FT3615656A	88#	\$433
FT3624656A	129#	\$593
FT3630656A	158#	\$675
FT4212656A	87#	\$438
FT4215656A	99#	\$485
FT4224656A	145#	\$652
FT4230656A	177#	\$749
FT4812656A	95#	\$477
FT4815656A	111#	\$518
FT4824656A	164#	\$728
FT4830656A	196#	\$781

12" and 15" deep are single entry. 24" and 30" deep are double entry.

**DIVIDERS NOT INCLUDED.** 3 dividers recommended per shelf. Dividers required for use with common stops. Shelves are 22-gauge. Call factory for 18-gauge shelf prices.

**Starter Units with Two Closed "L" Uprights**

Model No.	W	D	H	Wt.	List Price
FL3012767S	30 5/16"	12"	76"	100#	\$490
FL3015767S	30 5/16"	15"	76"	119#	\$516
FL3024767S	30 5/16"	24"	76"	179#	\$710
FL3030767S	30 5/16"	30"	76"	221#	\$795
FL3612767S	36 5/16"	12"	76"	105#	\$490
FL3615767S	36 5/16"	15"	76"	124#	\$516
FL3624767S	36 5/16"	24"	76"	184#	\$710
FL3630767S	36 5/16"	30"	76"	226#	\$795
FL4212767S	42 5/16"	12"	76"	119#	\$527
FL4215767S	42 5/16"	15"	76"	137#	\$576
FL4224767S	42 5/16"	24"	76"	202#	\$778
FL4230767S	42 5/16"	30"	76"	248#	\$880
FL4812767S	48 5/16"	12"	76"	129#	\$572
FL4815767S	48 5/16"	15"	76"	150#	\$614
FL4824767S	48 5/16"	24"	76"	224#	\$866
FL4830767S	48 5/16"	30"	76"	269#	\$917



**Adder Units with Open "T" Upright**

Model No.	W	D	H	Wt.	List Price
FO3012767A	30 5/16"	12"	76"	78#	\$409
FO3015767A	30 5/16"	15"	76"	88#	\$434
FO3024767A	30 5/16"	24"	76"	125#	\$600
FO3030767A	30 5/16"	30"	76"	151#	\$671
FO3612767A	36 5/16"	12"	76"	83#	\$409
FO3615767A	36 5/16"	15"	76"	93#	\$434
FO3624767A	36 5/16"	24"	76"	130#	\$600
FO3630767A	36 5/16"	30"	76"	156#	\$671
FO4212767A	42 5/16"	12"	76"	96#	\$446
FO4215767A	42 5/16"	15"	76"	105#	\$494
FO4224767A	42 5/16"	24"	76"	148#	\$668
FO4230767A	42 5/16"	30"	76"	177#	\$756
FO4812767A	48 5/16"	12"	76"	105#	\$491
FO4815767A	48 5/16"	15"	76"	119#	\$532
FO4824767A	48 5/16"	24"	76"	170#	\$756
FO4830767A	48 5/16"	30"	76"	199#	\$793

**With Closed "T" Upright**

Model No.	Wt.	List Price
FT3012767A	82#	\$461
FT3015767A	96#	\$490
FT3024767A	144#	\$675
FT3030767A	177#	\$772
FT3612767A	87#	\$461
FT3615767A	101#	\$490
FT3624767A	149#	\$675
FT3630767A	182#	\$772
FT4212767A	101#	\$498
FT4215767A	114#	\$550
FT4224767A	167#	\$743
FT4230767A	204#	\$857
FT4812767A	110#	\$543
FT4815767A	127#	\$588
FT4824767A	189#	\$831
FT4830767A	225#	\$894

12" and 15" deep are single entry. 24" and 30" deep are double entry.

**DIVIDERS NOT INCLUDED.** 3 dividers recommended per shelf. Dividers required for use with common stops. Shelves are 22-gauge. Call factory for 18-gauge shelf prices.

**Starter Units with Two Closed "L" Uprights**

Model No.	W	D	H	Wt.	List Price
FL3012868S	30 5/16"	12"	86"	119#	\$541
FL3015868S	30 5/16"	15"	86"	130#	\$578
FL3024868S	30 5/16"	24"	86"	208#	\$780
FL3030868S	30 5/16"	30"	86"	255#	\$878
FL3612868S	36 5/16"	12"	86"	124#	\$541
FL3615868S	36 5/16"	15"	86"	135#	\$578
FL3624868S	36 5/16"	24"	86"	213#	\$780
FL3630868S	36 5/16"	30"	86"	260#	\$878
FL4212868S	42 5/16"	12"	86"	139#	\$583
FL4215868S	42 5/16"	15"	86"	169#	\$646
FL4224868S	42 5/16"	24"	86"	233#	\$857
FL4230868S	42 5/16"	30"	86"	284#	\$974
FL4812868S	48 5/16"	12"	86"	150#	\$634
FL4815868S	48 5/16"	15"	86"	174#	\$689
FL4824868S	48 5/16"	24"	86"	258#	\$957
FL4830868S	48 5/16"	30"	86"	308#	\$1016



**Adder Units with Open "T" Upright**

Model No.	W	D	H	Wt.	List Price
F03012868A	30 5/16"	12"	86"	88#	\$455
F03015868A	30 5/16"	15"	86"	100#	\$483
F03024868A	30 5/16"	24"	86"	141#	\$669
F03030868A	30 5/16"	30"	86"	170#	\$748
F03612868A	36 5/16"	12"	86"	93#	\$455
F03615868A	36 5/16"	15"	86"	105#	\$483
F03624868A	36 5/16"	24"	86"	146#	\$669
F03630868A	36 5/16"	30"	86"	175#	\$748
F04212868A	42 5/16"	12"	86"	108#	\$497
F04215868A	42 5/16"	15"	86"	119#	\$551
F04224868A	42 5/16"	24"	86"	166#	\$746
F04230868A	42 5/16"	30"	86"	199#	\$844
F04812868A	48 5/16"	12"	86"	119#	\$548
F04815868A	48 5/16"	15"	86"	132#	\$594
F04824868A	48 5/16"	24"	86"	191#	\$846
F04830868A	48 5/16"	30"	86"	223#	\$886

**With Closed "T" Upright**

Model No.	Wt.	List Price
FT3012868A	96#	\$516
FT3015868A	102#	\$548
FT3024868A	165#	\$753
FT3030868A	203#	\$859
FT3612868A	101#	\$516
FT3615868A	107#	\$548
FT3624868A	170#	\$753
FT3630868A	208#	\$859
FT4212868A	115#	\$558
FT4215868A	136#	\$616
FT4224868A	191#	\$830
FT4230868A	232#	\$955
FT4812868A	126#	\$609
FT4815868A	146#	\$659
FT4824868A	215#	\$930
FT4830868A	256#	\$997

12" and 15" deep are single entry. 24" and 30" deep are double entry.

**DIVIDERS NOT INCLUDED.** 3 dividers recommended per shelf. Dividers required for use with common stops. Shelves are 22-gauge. Call factory for 18-gauge shelf prices.

**Starter Units with Two Closed "L" Uprights**

Model No.	W	D	H	Wt.	List Price
FL3012979S	30 5/16"	12"	97"	134#	\$606
FL3015979S	30 5/16"	15"	97"	157#	\$640
FL3024979S	30 5/16"	24"	97"	233#	\$870
FL3030979S	30 5/16"	30"	97"	286#	\$965
FL3612979S	36 5/16"	12"	97"	139#	\$606
FL3615979S	36 5/16"	15"	97"	162#	\$640
FL3624979S	36 5/16"	24"	97"	238#	\$870
FL3630979S	36 5/16"	30"	97"	291#	\$965
FL4212979S	42 5/16"	12"	97"	155#	\$653
FL4215979S	42 5/16"	15"	97"	178#	\$716
FL4224979S	42 5/16"	24"	97"	261#	\$956
FL4230979S	42 5/16"	30"	97"	318#	\$1072
FL4812979S	48 5/16"	12"	97"	167#	\$710
FL4815979S	48 5/16"	15"	97"	195#	\$764
FL4824979S	48 5/16"	24"	97"	288#	\$1068
FL4830979S	48 5/16"	30"	97"	345#	\$1119



**Adder Units with Open "T" Upright**

Model No.	W	D	H	Wt.	List Price
FO3012979A	30 5/16"	12"	97"	99#	\$500
FO3015979A	30 5/16"	15"	97"	111#	\$531
FO3024979A	30 5/16"	24"	97"	157#	\$738
FO3030979A	30 5/16"	30"	97"	189#	\$826
FO3612979A	36 5/16"	12"	97"	104#	\$500
FO3615979A	36 5/16"	15"	97"	116#	\$531
FO3624979A	36 5/16"	24"	97"	162#	\$738
FO3630979A	36 5/16"	30"	97"	194#	\$826
FO4212979A	42 5/16"	12"	97"	120#	\$547
FO4215979A	42 5/16"	15"	97"	133#	\$607
FO4224979A	42 5/16"	24"	97"	185#	\$824
FO4230979A	42 5/16"	30"	97"	221#	\$933
FO4812979A	48 5/16"	12"	97"	132#	\$604
FO4815979A	48 5/16"	15"	97"	149#	\$655
FO4824979A	48 5/16"	24"	97"	212#	\$936
FO4830979A	48 5/16"	30"	97"	248#	\$980

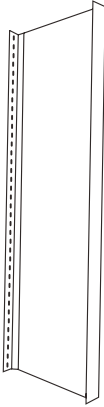
**With Closed "T" Upright**

Model No.	Wt.	List Price
FT3012979A	107#	\$571
FT3015979A	125#	\$606
FT3024979A	185#	\$831
FT3030979A	228#	\$946
FT3612979A	112#	\$571
FT3615979A	130#	\$606
FT3624979A	190#	\$831
FT3630979A	232#	\$946
FT4212979A	128#	\$618
FT4215979A	146#	\$682
FT4224979A	213#	\$917
FT4230979A	259#	\$1053
FT4812979A	141#	\$675
FT4815979A	163#	\$730
FT4824979A	240#	\$1029
FT4830979A	286#	\$1100

12" and 15" deep are single entry. 24" and 30" deep are double entry.

**DIVIDERS NOT INCLUDED.** 3 dividers recommended per shelf. Dividers required for use with common stops. Shelves are 22-gauge. Call factory for 18-gauge shelf prices.





**Closed "L"-Uprights**

Model No.	D	Wt.	List Price	Model No.	D	Wt.	List Price
<b>65" Height</b>				<b>86" Height</b>			
F1265L	12"	16#	\$56	F1286L	12"	21#	\$67
F1565L	15"	20#	\$59	F1586L	15"	26#	\$72
F2465L	24"	31#	\$75	F2486L	24"	40#	\$88
F3065L	30"	38#	\$91	F3086L	30"	50#	\$99
<b>76" Height</b>				<b>97" Height</b>			
F1276L	12"	19#	\$64	F1297L	12"	24#	\$77
F1576L	15"	23#	\$65	F1597L	15"	30#	\$79
F2476L	24"	36#	\$87	F2497L	24"	45#	\$99
F3076L	30"	44#	\$96	F3097L	30"	56#	\$104

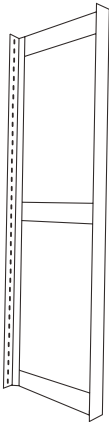
**Closed "T"-Uprights**

Model No.	D	Wt.	List Price	Model No.	D	Wt.	List Price
<b>65" Height</b>				<b>86" Height</b>			
F1265T	12"	16#	\$89	F1286T	12"	21#	\$109
F1565T	15"	20#	\$95	F1586T	15"	26#	\$114
F2465T	24"	31#	\$125	F2486T	24"	40#	\$149
F3065T	30"	38#	\$149	F3086T	30"	50#	\$179
<b>76" Height</b>				<b>97" Height</b>			
F1276T	12"	19#	\$99	F1297T	12"	24#	\$119
F1576T	15"	23#	\$104	F1597T	15"	30#	\$124
F2476T	24"	36#	\$139	F2497T	24"	45#	\$159
F3076T	30"	44#	\$169	F3097T	30"	56#	\$189

**Open Uprights (OP)**

Model No.	D	Wt.	List Price	Model No.	D	Wt.	List Price
<b>65" Height</b>				<b>86" Height</b>			
F1265OP	12"	13#	\$46	F1286OP	12"	16#	\$48
F1565OP	15"	13#	\$48	F1586OP	15"	17#	\$49
F2465OP	24"	15#	\$63	F2486OP	24"	19#	\$65
F3065OP	30"	16#	\$65	F3086OP	30"	20#	\$68
<b>76" Height</b>				<b>97" Height</b>			
F1276OP	12"	15#	\$47	F1297OP	12"	18#	\$48
F1576OP	15"	15#	\$48	F1597OP	15"	19#	\$49
F2476OP	24"	17#	\$64	F2497OP	24"	20#	\$66
F3076OP	30"	18#	\$68	F3097OP	30"	21#	\$69

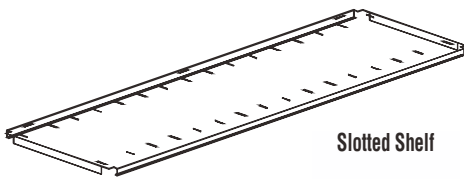
Additional heights available; call factory for dimensions and pricing.



**Slotted Shelves (SLF)**

Model No.	D	Wt.	List Price
<b>30" Width</b>			
F3012SLF	12"	4#	\$18
F3015SLF	15"	5#	\$21
F3024SLF	24"	9#	\$35
F3030SLF	30"	12#	\$38
<b>36" Width</b>			
F3612SLF	12"	5#	\$18
F3615SLF	15"	6#	\$21
F3624SLF	24"	10#	\$35
F3630SLF	30"	13#	\$38
<b>42" Width</b>			
F4212SLF	12"	6#	\$23
F4215SLF	15"	7#	\$29
F4224SLF	24"	12#	\$44
F4230SLF	30"	15#	\$49
<b>48" Width</b>			
F4812SLF	12"	7#	\$29
F4815SLF	15"	8#	\$34
F4824SLF	24"	13#	\$50
F4830SLF	30"	17#	\$54

**Note:** Order two supports per shelf. Shelves are slotted to accept dividers on 3" centers/increments.

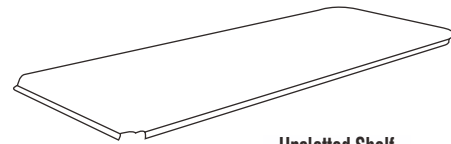


Slotted Shelf

**Unslotted Shelves, or Canopy Top (SU)**

Model No.	D	Wt.	List Price
<b>30" Width</b>			
F3012SU	12"	4#	\$21
F3015SU	15"	5#	\$24
F3024SU	24"	9#	\$34
F3030SU	30"	12#	\$38
<b>36" Width</b>			
F3612SU	12"	5#	\$21
F3615SU	15"	6#	\$24
F3624SU	24"	10#	\$34
F3630SU	30"	13#	\$38
<b>42" Width</b>			
F4212SU	12"	6#	\$23
F4215SU	15"	7#	\$28
F4224SU	24"	12#	\$39
F4230SU	30"	15#	\$46
<b>48" Width</b>			
F4812SU	12"	7#	\$26
F4815SU	15"	8#	\$31
F4824SU	24"	13#	\$43
F4830SU	30"	17#	\$48

**Note:** Order two supports per shelf. Shelves are 22-gauge. Call factory for 18 gauge pricing.

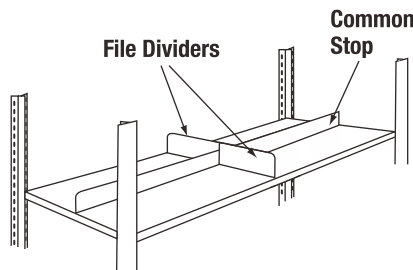
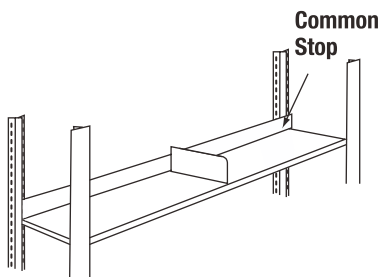


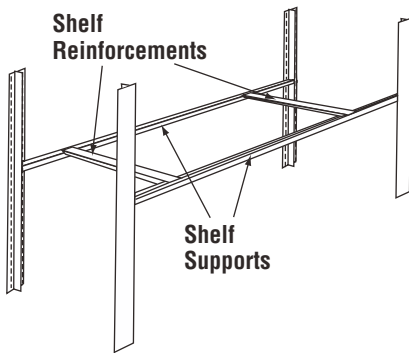
Unslotted Shelf

**Common Stops (CS)**

Model No.	W	H	Wt.	List Price
F30CS	30"	3 1/2"	1 1/2#	\$7
F36CS	36"	3 1/2"	1 1/2#	\$7
F42CS	42"	3 1/2"	1 3/4#	\$7
F48CS	48"	3 1/2"	2#	\$7

**Note:** Dividers are required when using common stops.





	36"	42"	48"
24"	1	1	2
30"	2	2	2

Number of Shelf Reinforcements required per loaded shelf.

**Shelf Supports (SS)**

Model No.	W	H	Wt.	List Price
F30SS	30"	3/4"	1 1/4#	\$10
F36SS	36"	3/4"	1 1/4#	\$10
F42SS	42"	3/4"	1 1/2#	\$10
F48SS	48"	3/4"	1 3/4#	\$10

**Note:** Shelf supports are not interchangeable with bottom shelf supports. Pebble Gray only.

**Shelf Support Bottom (SSB)**

F30SSB	30"	3/4"	1 1/4#	\$13
F36SSB	36"	3/4"	1 1/2#	\$13
F42SSB	42"	3/4"	1 1/2#	\$13
F48SSB	48"	3/4"	1 3/4#	\$13

**Note:** Bottom shelf must be supported by bottom shelf supports when mounted on a mobile carriage. Graphite only.

**Shelf Reinforcements (SR)**

F24SR	24"	3/4"	1/2#	\$6
F30SR	30"	3/4"	3/4#	\$6

**Note:** Pebble Gray only.

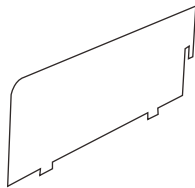
**Adjustable File Dividers (DV)**

Standard Pack of 6:

Model No.	W	H	Wt.	List Price
* F12DV6	12"	6"	6#	\$28
F15DV6	15"	6"	7 1/2#	\$32

Standard Pack of 24:

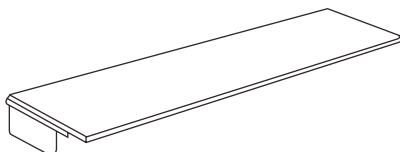
F12DV24	12"	6"	25#	\$112
F15DV24	15"	6"	32#	\$128



**Pullout Reference Shelves (RS)**

Model No.	W	D	Wt.	List Price
F3612RS	36"	12"	20#	\$189
F4212RS	42"	12"	21 1/4#	\$199
F4812RS	48"	12"	25 3/4#	\$209

**Note:** Reference shelves cannot be used in conjunction with either the Security Shade or Kick Plates.

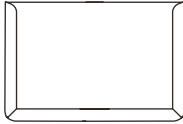


**Base Kick Plates (KP)**

To be used with standard shelf supports on bottom shelf.

Model No.	W	D	Wt.	List Price
F3002KP	30"	2"	2 1/4#	\$16
F3602KP	36"	2"	2#	\$16
F4202KP	42"	2"	2 1/4#	\$20
F4802KP	48"	2"	2 1/2#	\$21
F3006KP	30"	6"	6#	\$28
F3606KP	36"	6"	6#	\$28
F4206KP	42"	6"	6 3/4#	\$30
F4806KP	48"	6"	7 1/2#	\$34

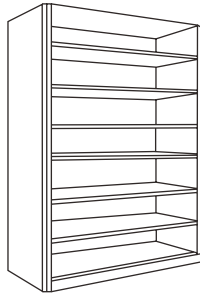
**Note:** Kick Plates cannot be used in conjunction with Reference Shelves.



**Card Holders (CH)**

Standard Pack of 5:

Model No.	W	D	Wt.	List Price
A35CH5	5"	3"	2 1/2#	\$99



**Back Security Panels (BP)**

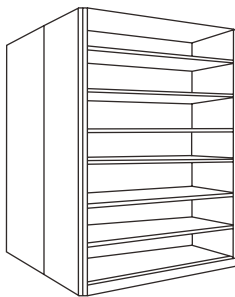
Used to enclose the back of a single faced unit.

Model No.	W	H	Wt.	List Price
F3065BP	30"	65"	38#	\$183
F3665BP	36"	65"	41#	\$183
F4265BP	42"	65"	49#	\$187
F4865BP	48"	65"	57#	\$189
F3076BP	30"	76"	47#	\$187
F3676BP	36"	76"	47#	\$187
F4276BP	42"	76"	55#	\$191
F4876BP	48"	76"	63#	\$206
F3086BP	30"	86"	47#	\$194
F3686BP	36"	86"	53#	\$194
F4286BP	42"	86"	60#	\$211
F4886BP	48"	86"	67#	\$229
F3097BP	30"	97"	55#	\$229
F3697BP	36"	97"	60#	\$229
F4297BP	42"	97"	67#	\$259
F4897BP	48"	97"	74#	\$269

**Note:** Back security panels are designed as one full piece with no visible hardware. All panels ship in a crate. No additional upcharge for crating.

**Center Panels (CP)**

Used to close the center of back-to-back single faced units. Cannot be used with four post double-faced shelving.



F3065CP	30"	65"	38#	\$183
F3665CP	36"	65"	41#	\$183
F4265CP	42"	65"	49#	\$187
F4865CP	48"	65"	57#	\$189
F3076CP	30"	76"	41#	\$187
F3676CP	36"	76"	47#	\$187
F4276CP	42"	76"	55#	\$191
F4876CP	48"	76"	63#	\$206
F3086CP	30"	86"	47#	\$194
F3686CP	36"	86"	53#	\$194
F4286CP	42"	86"	60#	\$211
F4886CP	48"	86"	67#	\$229
F3097CP	30"	97"	55#	\$229
F3697CP	36"	97"	60#	\$229
F4297CP	42"	97"	67#	\$259
F4897CP	48"	97"	74#	\$269

**Note:** Center panels are designed as one full piece with no visible hardware. All panels ship in a crate. No additional upcharge for crating.

**Wall Mounting Kit (WMK)**

Used to secure shelving to wall.

AWMK	—	—	4#	\$89
------	---	---	----	------

**SPECIFICATIONS**

Mayline Customer Service: 1-800-822-8037

**Actual Width Dimensions**

Stationary or Mobile			Mobile Only		
Nominal Shelf Width	(LFI) Useable Space/Shelf	Actual Unit Width	Add for End Panel Assembly	Add for Clearance at Rear Wall	Add for Handle on 820 Systems
30	28.81	30.31	3.75	4.25	4.375
36	34.81	36.31	3.75	4.25	4.375
42	40.81	42.31	3.75	4.25	4.375
48	46.81	48.31	3.75	4.25	4.375

**Actual Height Dimensions**

**Actual Base Dimensions**  
Base Depth\*

	76"	86"	Nominal Shelf Depth	Fixed	810 or 820
Upright	75.78	86.28	12	12.00	19.00
Base & Track	6.25	6.25	15	15.00	19.00
Overall	82.03	92.53	24	24.00	25.00
			30	30.00	31.00

\*Depth includes the 1" bumpers.

**Steel Material Gauges:**

Shelf	22	Shelf Reinforcement	14	Shaft Diameter	3/4"
Upright	18	Base Skirts	16	Wheel Diameter	4 5/8"
End Panel	18	End Filler Panel	18		
Dividers	18	Wheel Channel	11		
Shelf Support	11				

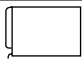
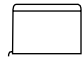

**Media Weight:**

Letter Size Material:	2# per LFI
Legal Size Material:	2 1/2# per LFI

**NOTE:** EACH SHELF HAS A MAXIMUM WEIGHT CAPACITY OF 240 LBS. MEDIA WEIGHT MUST BE EVENLY DISTRIBUTED BOTH VERTICALLY AND HORIZONTALLY.

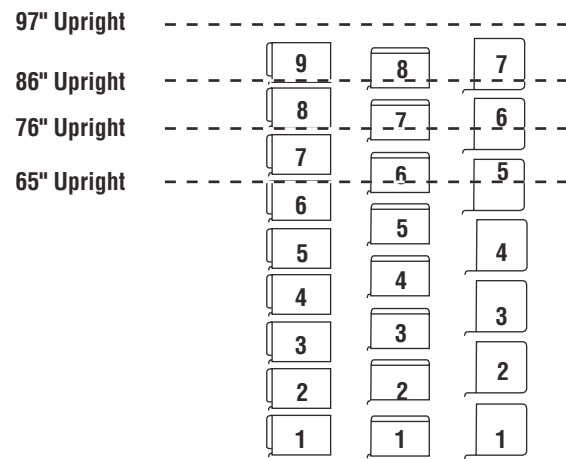
**CONFIGURATION GUIDE**

**Configuration Guide for Mixed Media Applications**

Media	Description	Clearance Space	Upright Space Required
	Letter/Legal Side Tab	9 3/4"	10 1/2"
	Letter/Legal Standard Top Tab, 1/3 cut	11 1/4"	12"
	3-Ring Binders	12 3/4"	13 1/2"

To determine the height of a unit with media not listed above, first determine the height of the media and add 3/4". Then, round that figure up to the next number divisible by 1 1/2 (because the uprights are slotted on 1 1/2" centers), then multiply that number by the number of tiers desired. Then add 1 1/2" for space that is allotted for the reference shelf. Lastly, add 3/4" for the canopy.

**Media Storage Capacities**



	Letter/Legal Side Tab	Letter/Std. Top Tab	3-Ring Binders
97" Upright	9	8	7
86" Upright	8	7	6
76" Upright	7	6	5
65" Upright	6	5	4

To increase filing density, Four-Post Shelving can also mount to the Kwik-Track system creating either a bi-file or tri-file lateral sliding shelving system. In either configuration, the rear row of shelves are stationary with shelves in front mounted into a sliding carriage on a track mounted to the floor.

- Heavy-duty aluminum track construction supports 3,500# per carriage.
- Anti-tip built into base for stability and easy installation.
- Systems are complete with shelving and track systems. Dividers are not included. (see page 108)
- 240# weight capacity per shelf.
- Track system has a brushed aluminum finish. Floor mounting hardware included.
- All systems are letter depth, 12"D shelving only.
- Optional Security Backs available (see page 133).

<b>Model No.</b>	<b>Description</b>	<b>Dimensions</b>	<b>Wt.</b>	<b>List Price</b>
<b>Starter/Adder Systems (does not include shelving)</b>				
* <b>STTLST4</b>	2/1 Starter Track, Letter	75"W x 27"D	38#	\$959
* <b>STTLADD4</b>	1/1 Adder Track, Letter	38"W x 27"D	23#	\$761
<b>FP36721</b>	2/1, 36"L, 7-High System	75"W x 27"D	350#	\$2348
<b>FP36732</b>	3/2, 36"L, 7-High System	113"W x 27"D	600#	\$4008
<b>FP36743</b>	4/3, 36"L, 7-High System	150"W x 27"D	850#	\$5580
<b>FP367211</b>	2/1/1, 36"L, 7-High System	75"W x 42"D	500#	\$3797
<b>FP367322</b>	3/2/2, 36"L, 7-High System	113"W x 42"D	850#	\$6708
<b>FP367433</b>	4/3/3, 36"L, 7-High System	150"W x 42"D	1150#	\$9443
<b>FP36821</b>	2/1, 36"L, 8-High System	75"W x 27"D	375#	\$2496
<b>FP36832</b>	3/2, 36"L, 8-High System	113"W x 27"D	625#	\$4253
<b>FP36843</b>	4/3, 36"L, 8-High System	150"W x 27"D	900#	\$5922
<b>FP368211</b>	2/1/1, 36"L, 8-High System	75"W x 42"D	525#	\$3996
<b>FP368322</b>	3/2/2, 36"L, 8-High System	113"W x 42"D	850#	\$7055
<b>FP368433</b>	4/3/3, 36"L, 8-High System	150"W x 42"D	1200#	\$9938
<b>FP42721</b>	2/1, 42"L, 7-High System	87"W x 27"D	400#	\$2552
<b>FP42732</b>	3/2, 42"L, 7-High System	137"W x 27"D	700#	\$4283
<b>FP42743</b>	4/3, 42"L, 7-High System	174"W x 27"D	950#	\$6054
<b>FP427211</b>	2/1/1, 42"L, 7-High System	87"W x 42"D	600#	\$4131
<b>FP427322</b>	3/2/2, 42"L, 7-High System	137"W x 42"D	950#	\$7147
<b>FP427433</b>	4/3/3, 42"L, 7-High System	174"W x 42"D	1250#	\$10243
<b>FP42821</b>	2/1, 42"L, 8-High System	87"W x 27"D	475#	\$2715
<b>FP42832</b>	3/2, 42"L, 8-High System	137"W x 27"D	725#	\$4553
<b>FP42843</b>	4/3, 42"L, 8-High System	174"W x 27"D	1000#	\$6431
<b>FP428211</b>	2/1/1, 42"L, 8-High System	87"W x 42"D	625#	\$4350
<b>FP428322</b>	3/2/2, 42"L, 8-High System	137"W x 42"D	950#	\$7529
<b>FP428433</b>	4/3/3, 42"L, 8-High System	174"W x 42"D	1300#	\$10788



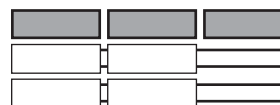
**2/1**  
**2 Rows; 2 Fixed, 1 Movable**



**2/1/1**  
**3 Rows; 2 Fixed, 2 Movable**



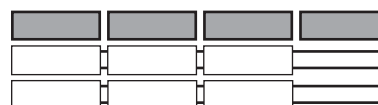
**3/2**  
**2 Rows; 3 Fixed, 2 Movable**



**3/2/2**  
**3 Rows; 3 Fixed, 4 Movable**



**4/3**  
**2 Rows; 4 Fixed, 3 Movable**



**4/3/3**  
**3 Rows; 4 Fixed, 6 Movable**

**FOUR-POST SHELVING ON KWIK-TRACK – LEGAL DEPTH**

Mayline Customer Service: 1-800-822-8037

To increase filing density, Four-Post Shelving can also mount to the Kwik-Track system creating either a bi-file or tri-file lateral sliding shelving system. In either configuration, the rear row of shelves are stationary with shelves in front mounted into a sliding carriage on a track mounted to the floor.

- Heavy-duty aluminum track construction supports 3,500# per carriage.
- Anti-tip built into base for stability and easy installation.
- Systems are complete with shelving and track systems. Dividers are not included. (see page 108)
- Track system has a brushed aluminum finish. Floor mounting hardware included.
- All systems are legal depth, 15"D shelving only.

Model No.	Description	Dimensions	Wt.	List Price
<b>Starter/Adder Systems (does not include shelving)</b>				
* STTGST4	2/1 Starter Track, Legal	75"W x 33"D	38#	\$969
* STTGADD4	1/1 Adder Track, Legal	38"W x 33"D	23#	\$771
FPG36721	2/1, 36"L, 7-High System	75"W x 33"D	400#	\$2435
FPG36732	3/2, 36"L, 7-High System	113"W x 33"D	680#	\$4156
FPG36743	4/3, 36"L, 7-High System	150"W x 33"D	960#	\$5789
FPG367211	2/1/1, 36"L, 7-High System	75"W x 51"D	570#	\$3920
FPG367322	3/2/2, 36"L, 7-High System	113"W x 51"D	970#	\$6928
FPG367433	4/3/3, 36"L, 7-High System	150"W x 51"D	1320#	\$9760
FPG36821	2/1, 36"L, 8-High System	75"W x 33"D	425#	\$2608
FPG36832	3/2, 36"L, 8-High System	113"W x 33"D	705#	\$4440
FPG36843	4/3, 36"L, 8-High System	150"W x 33"D	1010#	\$6184
FPG368211	2/1/1, 36"L, 8-High System	75"W x 51"D	605#	\$4155
FPG368322	3/2/2, 36"L, 8-High System	113"W x 51"D	1000#	\$7336
FPG368433	4/3/3, 36"L, 8-High System	150"W x 51"D	1370#	\$10341
FPG42721	2/1, 42"L, 7-High System	87"W x 33"D	460#	\$2707
FPG42732	3/2, 42"L, 7-High System	137"W x 33"D	790#	\$4630
FPG42743	4/3, 42"L, 7-High System	174"W x 33"D	1070#	\$6411
FPG427211	2/1/1, 42"L, 7-High System	87"W x 51"D	680#	\$4344
FPG427322	3/2/2, 42"L, 7-High System	137"W x 51"D	1080#	\$7696
FPG427433	4/3/3, 42"L, 7-High System	174"W x 51"D	1440#	\$10764
FPG42821	2/1, 42"L, 8-High System	87"W x 33"D	525#	\$2904
FPG42832	3/2, 42"L, 8-High System	137"W x 33"D	825#	\$4954
FPG42843	4/3, 42"L, 8-High System	174"W x 33"D	1120#	\$6862
FPG428211	2/1/1, 42"L, 8-High System	87"W x 51"D	715#	\$4611
FPG428322	3/2/2, 42"L, 8-High System	137"W x 51"D	1080#	\$8160
FPG428433	4/3/3, 42"L, 8-High System	174"W x 51"D	1380#	\$11425



**2/1**  
2 Rows; 2 Fixed, 1 Movable



**2/1/1**  
3 Rows; 2 Fixed, 2 Movable



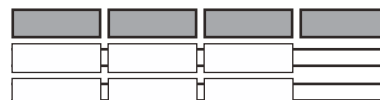
**3/2**  
2 Rows; 3 Fixed, 2 Movable



**3/2/2**  
3 Rows; 3 Fixed, 4 Movable



**4/3**  
2 Rows; 4 Fixed, 3 Movable

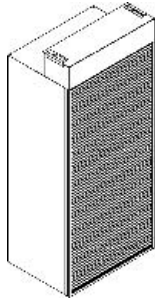


**4/3/3**  
3 Rows; 4 Fixed, 6 Movable



The "Security Shade" a vertical locking tambour door, that provides an affordable alternative to purchasing new filing equipment. The Security Shade not only provides privacy, but also complies with HIPAA Guidelines.

- Can be easily installed on existing 4-Post shelving including most competitive shelving lines.
- Housing adds 8 1/4" in height and 11 1/2" in depth.
- Approximately 10 minutes to install.
- Do not need to remove existing files.
- Housing available in any standing color.
- Extends 4-Post shelving out by 2".
- Key lock.
- Doors are available in Graphite **only**. Housing available in all standard paints.



Model No.	W	D	H	Wt.	List Price
SS3665	36"	2"	65"	50#	\$907
SS3676	36"	2"	76"	60#	\$907
SS3688	36"	2"	88"	70#	\$971
SS4265	42"	2"	65"	55#	\$1037
SS4276	42"	2"	76"	65#	\$1037
SS4288	42"	2"	88"	75#	\$1076
SS4865	48"	2"	65"	60#	\$1116
SS4876	48"	2"	76"	70#	\$1116
SS4888	48"	2"	88"	80#	\$1154

**Note:** Security Shade cannot be used in conjunction with a Reference Shelf.

### How to order Security Shade for a mobile system:

First, determine the appropriate type of mobile system you are using, then select the code next to your system in parentheses:

\* Mobile 820 (820)    \*Mobile Lite (ML)    \*4-Post on Kwik-Track (KT)

Next, add the code at the end of the appropriate Security Shade model number. Finally, add \$86 to the list price.

Example: If you have a 36" wide, 7-tier, 4-Post shelving on Kwik-Track, the appropriate model number would be SS3676KT - at a list price of \$942.

# X-RAY SHELVING

A complete starter section unit includes two uprights, five shelves (36", 42", or 48" wide), five common stops, twelve shelf supports, shelf reinforcements as required, and one canopy top. Shelves are 18-ga. steel. An adder unit includes the previously mentioned paired with one closed upright. (Note Shelf reinforcements are standard in Pebble Gray.)



Choose from either closed "L" uprights or closed "T" uprights. "T" uprights are normally for internal range support, while closed "L" uprights provide a more finished external appearance.

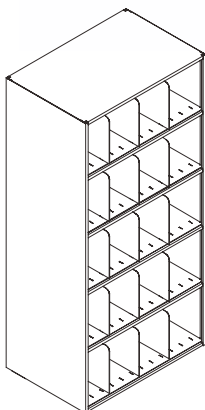
1,000# weight capacity per shelf.

**Dividers are not included**, but are required when using standard common stops.

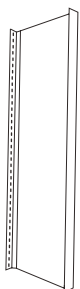
Compatible with Mobile Aisle, but not Kwik-Track.

### PRODUCT NUMBERING SYSTEM FOR FOUR POST SHELVING

Product Number Example: **XL3618865S**    **X** X-Ray Shelving    **L or T** Shelving Type ("L" for Closed L-Uprights, "T" for Closed T-Uprights)  
**36** Shelving Width in Inches (36, 42, and 48)    **18** Shelving Depth in Inches (18 and 36)  
**86** Upright Height in Inches (only one height)    **S** Starter



Model No.	W	D	H	Wt.	List Price
<b>Starter units with two Closed "L" Uprights</b>					
XL3018865S	30 5/16"	18"	86"	123#	\$713
XL3036865S	30 5/16"	36"	86"	250#	\$1195
XL3618865S	36 5/16"	18"	86"	126#	\$713
XL3636865S	36 5/16"	36"	86"	253#	\$1195
XL4218865S	42 5/16"	18"	86"	140#	\$743
XL4236865S	42 5/16"	36"	86"	279#	\$1207
XL4818865S	48 5/16"	18"	86"	152#	\$766
XL4836865S	48 5/16"	36"	86"	305#	\$1234
<b>Adder units with Closed "T" Uprights</b>					
XT3018865A	30 5/16"	18"	86"	88#	\$644
XT3036865A	30 5/16"	36"	86"	180#	\$1046
XT3618865A	36 5/16"	18"	86"	93#	\$644
XT3636865A	36 5/16"	36"	86"	186#	\$1046
XT4218865A	42 5/16"	18"	86"	106#	\$674
XT4236865A	42 5/16"	36"	86"	213#	\$1058
XT4818865A	48 5/16"	18"	86"	120#	\$697
XT4836865A	48 5/16"	36"	86"	239#	\$1085



Model No.	W	D	H	Wt.	List Price
<b>Closed "L" Uprights – 86" Height</b>					
X1886L		18"		31#	\$109
X3686L		36"		61#	\$194

<b>Closed "T" Uprights – 86" Height</b>					
X1886T		18"		31#	\$149
X3686T		36"		61#	\$239

<b>Slotted Shelves (SLF)</b>					
<b>18" Depth</b>					
X3018SLF	30"			8#	\$34
X3618SLF	36"			8#	\$34
X4218SLF	42"			9#	\$39
X4818SLF	48"			10#	\$43

**Note:** Order two shelf supports per shelf. Shelves are 18-gauge.

<b>36" Depth</b>					
X3036SLF	30"			15#	\$78
X3636SLF	36"			15#	\$78
X4236SLF	42"			18#	\$80
X4836SLF	48"			20#	\$85

**Note:** Order three supports per shelf. Shelves are 18-gauge.

<b>Unslotted Shelves, or Canopy Top (SU)</b>					
<b>18" Depth</b>					
X3018SU	30"			8#	\$32
X3618SU	36"			8#	\$32
X4218SU	42"			9#	\$37
X4818SU	48"			10#	\$40

<b>36" Depth</b>					
X3036SU	30"			15#	\$76
X3636SU	36"			15#	\$76
X4236SU	42"			18#	\$78
X4836SU	48"			20#	\$80

**Note:** Shelves are 18-gauge. Shelf Reinforcement are not required with the Canopy tops.

<b>Common Stops (CS)</b>					
F30CS	30"		3 1/2"	1#	\$7
F36CS	36"		3 1/2"	1 1/2#	\$7
F42CS	42"		3 1/2"	1 3/4#	\$7
F48CS	48"		3 1/2"	2#	\$7

**Note:** Dividers are required when using common stops.

<b>Shelf Supports (SS)</b>					
X30SS	30"		1 1/4"	3#	\$13
X36SS	36"		1 1/4"	3 1/2#	\$13
X42SS	42"		1 1/4"	4#	\$13
X48SS	48"		1 1/4"	4 1/2#	\$13

**Note:** Shelf supports are not interchangeable with bottom shelf supports.

<b>Shelf Support Bottom (SSB)</b>					
F30SSB	30"		3/4"	3/4#	\$13
F36SSB	36"		3/4"	1 1/4#	\$13
F42SSB	42"		3/4"	1 1/2#	\$13
F48SSB	48"		3/4"	1 3/4#	\$13

**Note:** Bottom shelf must be supported by bottom shelf. Graphite only.

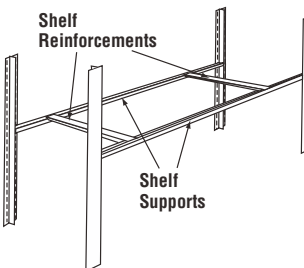
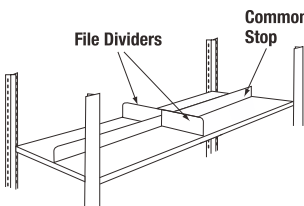
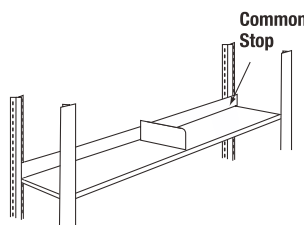
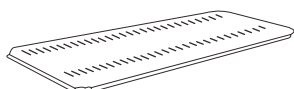
<b>Shelf Reinforcements (SR)</b>					
X18SR	18"		1 1/8"	1#	\$12
X36SR	36"		1 1/8"	1 1/2#	\$12

**Note:** Pebble Gray only.

<b>Shelf Reinforcements (SRB)</b>					
X18SRB	18"		3/4"	3/4#	\$6
X36SRB	36"		3/4"	1 1/2#	\$6

**Note:** Pebble Gray only.

<b>Adjustable File Dividers (DV) Standard Pack of 5:</b>					
X18DV5	18"		12"	13#	per pack \$68



	36"	42"	48"
18"	2	2	2
36"	3	3	3

Number of Shelf Reinforcements required per loaded shelf.

# FILE HARBOR CABINETS



Mayline Customer Service: 1-800-822-8037

- Horizontally sliding tambour doors
- Doors recede into concealed inner pockets
- 100% access to files
- Adjustable shelves and dividers – shelves adjust on 1" increments
- All internal components standard in Graphite finish.

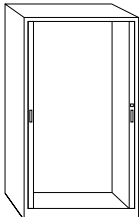
**Standard door colors:** Mist, Graphite, Pebble Gray, and Sand **only**

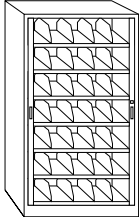
**Kwik-Ship Finish:** Pebble Gray

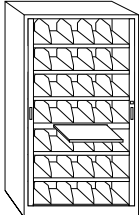
**Interior Heights:**  
 83"H = 76"H interior  
 62"H = 55"H interior  
 38"H = 34"H interior



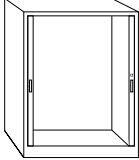
## CABINETS - 83" HEIGHT (76" INTERIOR HEIGHT)

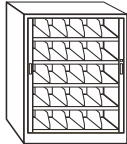
	Model No.	Description	W	Size H	D	Wt.	List Price
	<b>Empty Cabinet – built-in bottom shelf; add other components.</b>						
	<b>83483</b>	48"W x 83"H	47 1/4"	83"	17 3/4"	245#	\$1874
	<b>83423</b>	42"W x 83"H	42"	83"	17 3/4"	220#	\$1748
	<b>83363</b>	36"W x 83"H	36"	83"	17 3/4"	200#	\$1575

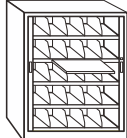
	<b>Preconfigured Cabinet for color-coded end-tab filing. Includes 7 shelves with adjustable filing dividers.</b>							
	* <b>8348A3</b>	48"W x 83"H	4 dividers per shelf.	47 1/4"	83"	17 3/4"	355#	\$2579
	<b>8342A3</b>	42"W x 83"H	3 dividers per shelf.	42"	83"	17 3/4"	325#	\$2433
	* <b>8336A3</b>	36"W x 83"H	3 dividers per shelf.	36"	83"	17 3/4"	290#	\$2269

	<b>Same as above except one standard shelf replaced with pull-out reference shelf.</b>							
	<b>8348B3</b>	48"W x 83"H	4 dividers per shelf.	47 1/4"	83"	17 3/4"	364#	\$2718
	<b>8342B3</b>	42"W x 83"H	3 dividers per shelf.	42"	83"	17 3/4"	333#	\$2522
	<b>8336B3</b>	36"W x 83"H	3 dividers per shelf.	36"	83"	17 3/4"	298#	\$2397

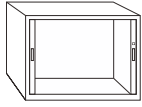
## FILE HARBOR CABINETS - 62" HEIGHT (55" INTERIOR HEIGHT)

	Model No.	Description	W	Size H	D	Wt.	List Price
	<b>Empty 62"H Cabinet – built-in bottom shelf; add other components.</b>						
	<b>62483</b>	48"W x 62"H	47 1/4"	61 1/2"	17 3/4"	200#	\$1535
	<b>62423</b>	42"W x 62"H	42"	61 1/2"	17 3/4"	188#	\$1443
	<b>62363</b>	36"W x 62"H	36"	61 1/2"	17 3/4"	175#	\$1385

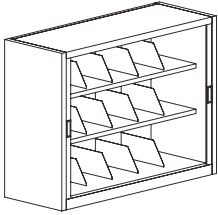
	<b>Preconfigured Cabinet for color-coded end-tab filing. Includes 5 shelves with adjustable filing dividers.</b>							
	<b>6248A3</b>	48"W x 62"H	4 dividers per shelf.	47 1/4"	61 1/2"	17 3/4"	284#	\$2062
	<b>6242A3</b>	42"W x 62"H	3 dividers per shelf.	42"	61 1/2"	17 3/4"	262#	\$1939
	<b>6236A3</b>	36"W x 62"H	3 dividers per shelf.	36"	61 1/2"	17 3/4"	237#	\$1852

	<b>Same as above except one standard shelf replaced with pull-out reference shelf.</b>							
	<b>6248B3</b>	48"W x 62"H	4 dividers per shelf.	47 1/4"	61 1/2"	17 3/4"	298#	\$2265
	<b>6242B3</b>	42"W x 62"H	3 dividers per shelf.	42"	61 1/2"	17 3/4"	274#	\$2073
	<b>6236B3</b>	36"W x 62"H	3 dividers per shelf.	36"	61 1/2"	17 3/4"	247#	\$1981

**FILE HARBOR CABINETS - 38" HEIGHT (34" INTERIOR HEIGHT)**



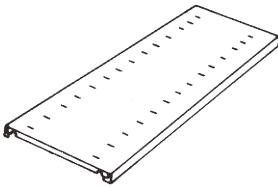
Model No.	Description	W	Size H	D	Wt.	List Price
<b>Empty 38"H Cabinet – built-in bottom shelf; add other components.</b>						
<b>38483</b>	48"W x 38"H	47 1/4"	38"	17 3/4"	100#	\$1373
<b>38423</b>	42"W x 38"H	42"	38"	17 3/4"	90#	\$1329
<b>38363</b>	36"W x 38"H	36"	38"	17 3/4"	80#	\$1285



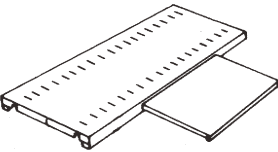
Model No.	Description	W	Size H	D	Wt.	List Price
<b>Preconfigured Cabinet for color coded – end tab filing. Includes 3 shelves with adjustable filing components.</b>						
<b>3848A3</b>	48"W x 38"H 4 dividers per shelf	47 1/4"	38"	17 3/4"	142#	\$1665
<b>3842A3</b>	42"W x 38"H 3 dividers per shelf	42"	38"	17 3/4"	130#	\$1603
<b>3836A3</b>	36"W x 38"H 3 dividers per shelf	36"	38"	17 3/4"	105#	\$1544

**FILE HARBOR COMPONENTS**

- Shelves have a 200# weight capacity.
- Reference shelves have a 100# weight capacity.
- Dividers adjust on 2.5" increments.



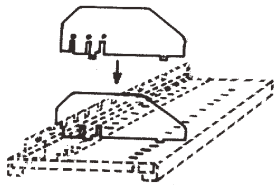
Model No.	Description	W	Size H	D	Wt.	List Price
<b>MS4801</b>	<b>42" Shelf</b> (Fits 48"W cabinet.)	42"	1"	14 3/4"	15#	\$88
<b>MS4802</b>	Package of 2 shelves				30#	\$156
<b>MS4803</b>	Package of 3 shelves				45#	\$236
<b>MS4201</b>	<b>37" Shelf</b> (Fits 42"W cabinet.)	36 3/4"	1"	14 3/4"	13#	\$76
<b>MS4202</b>	Package of 2 shelves				26#	\$150
<b>MS4203</b>	Package of 3 shelves				39#	\$230
<b>MS3601</b>	<b>31" Shelf</b> (Fits 36"W cabinet.)	30 3/4"	1"	14 3/4"	11#	\$71
<b>MS3602</b>	Package of 2 shelves				22#	\$146
<b>MS3603</b>	Package of 3 shelves				33#	\$216
<b>MS3604</b>	Package of 4 shelves				44#	\$289



<b>MRS48</b>	<b>42" Reference Shelf</b> (Fits 48"W cabinet.) Same as MS48 but with 18"W x 11"D pull-out slide.	42"	1"	14 3/4"	30#	\$320
--------------	---	-----	----	---------	-----	-------

<b>MRS42</b>	<b>37" Reference Shelf</b> (Fits 42"W cabinet.)	36 3/4"	1"	14 3/4"	27#	\$310
--------------	--	---------	----	---------	-----	-------

<b>MRS36</b>	<b>31" Reference Shelf</b> (Fits 36"W cabinet.)	30 3/4"	1"	14 3/4"	23#	\$299
--------------	--	---------	----	---------	-----	-------

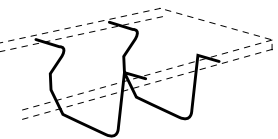


<b>MFD48</b>	<b>Adjustable Filing Dividers</b> (Fits 42"W shelf.) 4 adjustable filing dividers and 1 backstop for separating file folders.	—	6"	13"	4.8#	\$51
--------------	--	---	----	-----	------	------

<b>MFD42</b>	<b>Adjustable Filing Dividers</b> (Fits 37"W shelf.) 3 adjustable filing dividers and 1 backstop for separating file folders.	—	6"	13"	4.3#	\$49
--------------	--	---	----	-----	------	------

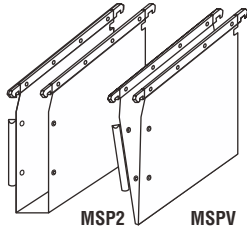
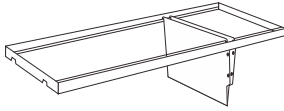
<b>MFD36</b>	<b>Adjustable Filing Dividers</b> (Fits 31"W shelf.) Same as above.	—	6"	13"	3.8#	\$45
--------------	--	---	----	-----	------	------

<b>MFD4</b>	<b>Set of 4 Extra Filing Dividers</b> No backstop.	—	6"	13"	4.0#	\$44
-------------	---	---	----	-----	------	------

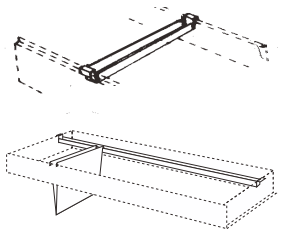
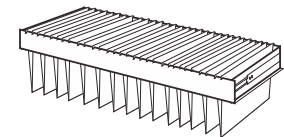


MWD

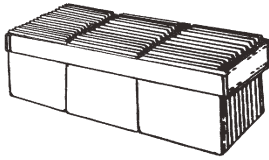
<b>MWD</b>	<b>Wire Dividers</b> For separating binders or books on any shelf; package of 4 (suspend from shelf above).	1/4"	9"	14 3/4"	2#	\$104
------------	--	------	----	---------	----	-------



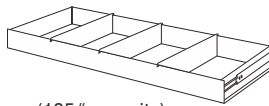
Model No.	Description	W	Size H	D	Wt.	List Price
<b>MR4801</b>	<b>42" Rail</b> (Fits 48"W cabinet.) Accommodates MSP suspended pockets only.	42"	1"	14 3/4"	5#	\$110
<b>MR4802</b>	Package of 2 rails				10#	\$219
<b>MR4803</b>	Package of 3 rails				15#	\$331
<b>MR4201</b>	<b>37" Rail</b> (Fits 42"W cabinet.)	36 3/4"	1"	14 3/4"	4#	\$106
<b>MR4202</b>	Package of 2 rails				8#	\$214
<b>MR4203</b>	Package of 3 rails				12#	\$321
<b>MR3601</b>	<b>31" Rail</b> (Fits 36"W cabinet.)	30 3/4"	1"	14 3/4"	4#	\$102
<b>MR3602</b>	Package of 2 rails				8#	\$205
<b>MR3603</b>	Package of 3 rails				12#	\$307
<b>MR3604</b>	Package of 4 rails				16#	\$410
<b>Note:</b> Rails in graphite only.						
<b>MSP2</b>	<b>Suspended Pockets</b> End-tab 2"W box-bottom pocket hangs under Rail or Shelf. Set of 25, includes labels. Holds standard letter or legal-size file folders. Heavy-duty orange kraft.	2"	11"	13"	8#	\$163
<b>MSP1</b>	Same as above except 1"W box bottom.	1"	11"	13"	8#	\$151
<b>MSPV</b>	Same as above except V-bottom.	3/8"	11"	13"	7#	\$125
<b>911085</b>	Package of extra labels (qty. 216)				1#	\$36



Model No.	Description	W	Size H	D	Wt.	List Price
<b>Note:</b> Interlock mechanism included with each roll-out.						
<b>MRF482</b>	<b>Roll-Out Frame</b> (Fits 48"W cabinet.) 39 1/4 filing inches. For legal-size hanging folders, print-outs, etc., in side-to-side format. To accommodate letter-size hanging folders, add MCM481.	40 3/4"	3 3/4"	15 3/4"	18#	\$303
<b>MRF422</b>	<b>Roll-Out Frame</b> (Fits 42"W cabinet.) 34 filing inches. To accommodate letter-size folders, add MCM421.	35 3/4"	3 3/4"	15 3/4"	17#	\$300
<b>MRF362</b>	<b>Roll-Out Frame</b> (Fits 36"W cabinet.) 28 filing inches. To accommodate letter-size folders, add MCM361.	29 3/4"	3 3/4"	15 3/4"	15#	\$296
<b>MCM</b>	<b>Cross-Member</b> (front-to-back) Creates separations within Roll-Out Frame for filing front to back.	1 1/2"	3/4"	15 3/4"	1#	\$40
<b>MCM481</b>	<b>Cross-Member</b> (side-to-side) (Fits MRF481.) For filing letter-size hanging folders side-to-side.	40 3/4"	3/4"	1 1/2"	2#	\$113
<b>MCM421</b>	<b>Cross-Member</b> (side-to-side) (Fits MRF421.)	35 3/4"	3/4"	1 1/2"	2#	\$102
<b>MCM361</b>	<b>Cross-Member</b> (side-to-side) (Fits MRF361.)	29 3/4"	3/4"	1 1/2"	2#	\$90

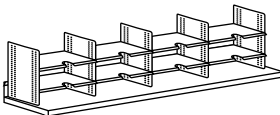


Model No.	Description	W	Size H	D	Wt.	List Price
<b>MRP482</b>	<b>Roll-Out Frame for Pendaflex</b> (Fits 48"W cabinet.) Includes 2 Cross-Members; provides 3 rows of letter-size Pendaflex (45 filing inches).	40 3/4"	3 3/4"	15 3/4"	20#	\$398
<b>MRP422</b>	<b>Roll-Out Frame for Pendaflex</b> (Fits 42"W cabinet.) Includes 2 Cross-Members; provides 2 rows of letter-size Pendaflex (30 filing inches).	35 3/4"	3 3/4"	15 3/4"	19#	\$387
<b>MRP362</b>	<b>Roll-Out Frame for Pendaflex</b> (Fits 36"W cabinet.) Includes 2 Cross-Members; provides 2 rows of letter-size Pendaflex (30 filing inches).	29 3/4"	3 3/4"	15 3/4"	17#	\$349

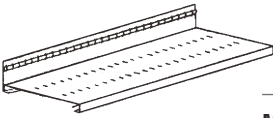
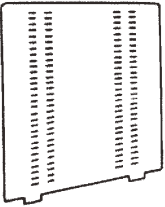


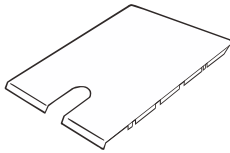
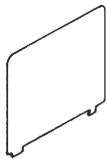
(125# capacity)

<b>MRD482</b>	<b>Roll-Out Drawer with Dividers</b> (Fits 48"W cabinet.) For storage of diskettes, other media. 3 dividers provided (adjust on 1/4" increments). <b>Interior:</b>	40 3/4"	3 3/4"	15 3/4"	27#	\$478
<b>MRD422</b>	<b>Roll-Out Drawer with Dividers</b> (Fits 42"W cabinet.) <b>Interior:</b>	35 3/4"	3 3/4"	15 3/4"	25#	\$455
<b>MRD362</b>	<b>Roll-Out Drawer with Dividers</b> (Fits 36"W cabinet.) <b>Interior:</b>	29 3/4"	3 3/4"	15 3/4"	23#	\$427
<b>MDV</b>	<b>Set of 3 Extra Dividers For Roll-Out Drawers</b> (Above.)		—		3.3#	\$59



Model No.	Description	W	Size H	D	Wt.	List Price
<b>MO48C</b>	<b>Kwik-File Organizing System</b> (Fits 48"W cabinet.) Preconfigured unit with 12 pockets (9 10"W x 4"H, 3 11"W x 4"H); for storage of forms, labels, sales literature. <b>Color:</b> Graphite only	42"	13 1/4"	14 3/4"	41#	\$402
<b>MO42C</b>	<b>Kwik-File Organizing System</b> (Fits 42"W cabinet.) Same as above except 12 pockets (9"W x 4"H).	36 3/4"	13 3/4"	14 3/4"	38#	\$386
<b>MO36C</b>	<b>Kwik-File Organizing System</b> (Fits 36"W cabinet.) Same as above except 9 pockets (10"W x 4"H).	30 3/4"	13 3/4"	14 3/4"	29#	\$331

Model No.	Description	Size			Wt.	List Price
		W	H	D		
	<b>MOS48 42" Master Shelf</b> (Fits 48"W cabinet.) To build 41"W Kwik-File organizing system; accepts shelf supports, dividers, in 1" increments.	42"	5 1/4"	14 3/4"	12#	\$170
	<b>MOS42 37" Master Shelf</b> (Fits 42" cabinet.) Same as above except builds 36"W organizing system.	36 3/4"	5 1/4"	14 3/4"	11#	\$163
	<b>MOS36 31" Master Shelf</b> (Fits 36" cabinet.) Same as above except builds 30"W organizing system.	30 3/4"	5 1/4"	14 3/4"	9#	\$153
	<b>SS12LC Shelf Support</b> Supports shelves (below) on 1/2" vertical increments; mounts on Master Shelf. (Not compatible with MS48/MS36 shelves).	—	12"	12"	1.5#	\$20
	<b>D09GS03 Dividers</b> (package of 3) To separate binders, manuals, etc.	—	9"	12"	6.9#	\$43
	<b>D09GS10 Dividers</b> (package of 10)	—	9"	12"	23.0#	\$142



**Kwik-Shelf® Shelving System**

Shelves fit between Shelf Supports to create sorting or storage pockets for paper, forms, or other media. Each shelf locks firmly in place, yet removes quickly for easy reconfiguration. Shelves are 18-gauge.

Width	Depth	Wt. per shelf	6-Shelf Package Model No.	List Price
4"	12"	.5#	0412P06	\$57
5"	12"	.75#	0512P06	\$61
6"	12"	.75#	0612P06	\$64
7"	12"	1.0#	0712P06	\$66
8"	12"	1.5#	0812P06	\$78
9"	12"	1.5#	0912P06	\$85
10"	12"	1.75#	1012P06	\$90
11"	12"	2.0#	1112P06	\$95
12"	12"	2.0#	1212P06	\$97
14"	12"	2.3#	1412P06	\$131
16"	12"	2.8#	1612P06	\$152



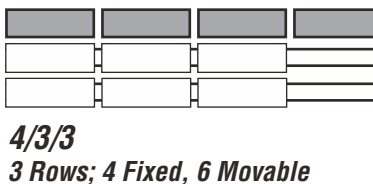
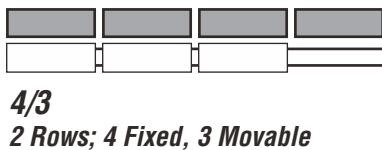
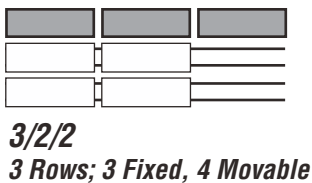
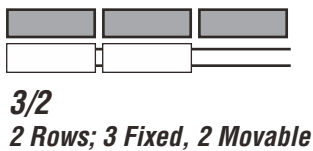
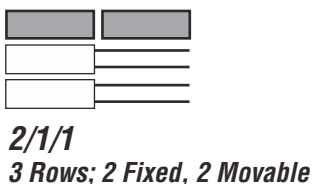
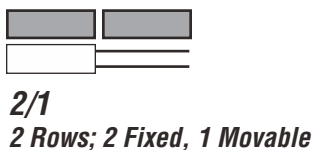
**FILE HARBOR CABINETS ON KWIK-TRACK**

Mayline Customer Service: 1-800-822-8037

To increase filing density, File Harbor Cabinets can also mount to the Kwik-Track system creating either a bi-file or tri-file lateral sliding cabinet system. In either configuration, the rear row of cabinets are stationary with cabinets in front mounted into a sliding carriage on a track mounted to the floor.

- Heavy-duty aluminum track construction supports 3,500# per carriage.
- Anti-tip arm built into base for stability and easy installation.
- Systems are complete with 8348A3 pre-configured cabinets (see page 143) and track systems.
- Track system has a brushed aluminum finish. Floor mounting hardware included.

Model No.	Description	Dimensions	Wt.	List Price
FH4821	2/1 System	99"W x 38"D x 85"H	1100#	\$8778
FH4832	3/2 System	150"W x 38"D x 85"H	1900#	\$14804
FH4843	4/3 System	198"W x 38"D x 85"H	2650#	\$20772
FH48211	2/1/1 System	99"W x 57"D x 85"H	1500#	\$12443
FH48322	3/2/2 System	150"W x 57"D x 85"H	2700#	\$21760
FH48433	4/3/3 System	198"W x 57"D x 85"H	3700#	\$31081



# FORMS/STORAGE CABINETS

Kwik-File® F/S Cabinets provide efficient and convenient storage for the large quantities of forms or paper required in offices and mailrooms.

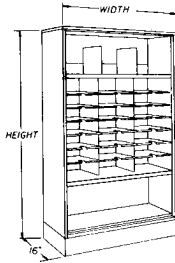
- Five preconfigured models available.
- All preconfigured models standard with 4"H (except where noted) x 12"D pockets adjustable on 1/2" H vertical increments.
- 50# capacity per shelf
- All-welded steel cabinet construction.
- Optional locking doors available.
- Build-your-own models available on pages 123-124.



**Kwik-Ship Finish:** Pebble Gray

## Configuration A

Stores binders, files and other items vertically on top; shelves in middle hold letter-sized materials; bulk storage below.

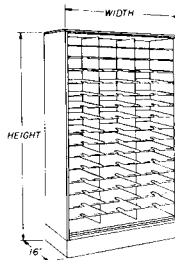


3665NA shown

Model No.	Width	Height	Features	Doors	Wt./ Cartons	List Price
<b>3665DA1</b>	36"	64 1/2"	21 Pockets	Yes	284# / 7	\$2500
<b>3665NA1</b>				No	239# / 7	\$1904
<b>3680DA1</b>	42"	80"	33 Pockets	Yes	357# / 8	\$2866
<b>3680NA1</b>				No	300# / 8	\$2221
<b>4265DA1</b>	42"	64 1/2"	28 Pockets	Yes	329# / 7	\$2831
<b>4265NA1</b>				No	278# / 7	\$2141
<b>4280DA1</b>	42"	80"	44 Pockets	Yes	407# / 8	\$3248
<b>4280NA1</b>				No	345# / 8	\$2503

## Configuration B

Pockets from top to bottom, maximizing storage density for letter-sized materials. Ideal for organizing or collating pages for brochures, bulletins, etc.

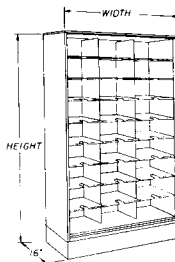


3665NB shown

Model No.	Width	Height	Features	Doors	Wt./ Cartons	List Price
<b>3665DB1</b>	36"	64 1/2"	42 Pockets	Yes	302# / 5	\$2578
<b>3665NB1</b>				No	257# / 5	\$1984
<b>3680DB1</b>	42"	80"	54 Pockets	Yes	374# / 5	\$2954
<b>3680NB1</b>				No	317# / 5	\$2310
<b>4265DB1</b>	42"	64 1/2"	56 Pockets	Yes	353# / 5	\$2957
<b>4265NB1</b>				No	302# / 5	\$2300
<b>4280DB1</b>	42"	80"	72 Pockets	Yes	429# / 6	\$3422
<b>4280NB1</b>				No	367# / 6	\$2703

## Configuration C

Same as B" above, but with 6" high pockets (4" high in all other preconfigured models).

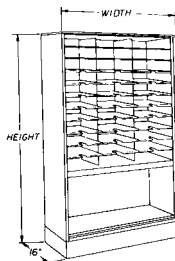


3665NC shown

Model No.	Width	Height	Features	Doors	Wt./ Cartons	List Price
<b>3665DC1</b>	36"	64 1/2"	27 Pockets	Yes	272# / 4	\$2533
<b>3665NC1</b>				No	227# / 4	\$1788
<b>3680DC1</b>	42"	80"	36 Pockets	Yes	338# / 5	\$2719
<b>3680NC1</b>				No	281# / 5	\$2076
<b>4265DC1</b>	42"	64 1/2"	36 Pockets	Yes	318# / 4	\$2713
<b>4265NC1</b>				No	267# / 4	\$2052
<b>4280DC1</b>	42"	80"	48 Pockets	Yes	387# / 5	\$3124
<b>4280NC1</b>				No	325# / 5	\$2406

## Configuration D

Pockets above for storing letter-sized materials; bulk storage below.

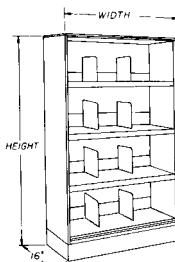


3665ND shown

Model No.	Width	Height	Features	Doors	Wt./ Cartons	List Price
<b>3665DD1</b>	36"	64 1/2"	33 Pockets	Yes	293# / 6	\$2534
* <b>3665ND1</b>				No	248# / 6	\$1943
<b>3680DD1</b>	42"	80"	42 Pockets	Yes	362# / 6	\$2866
* <b>3680ND1</b>				No	305# / 6	\$2222
<b>4265DD1</b>	42"	64 1/2"	44 Pockets	Yes	340# / 5	\$2874
* <b>4265ND1</b>				No	289# / 5	\$2217
<b>4280DD1</b>	42"	80"	56 Pockets	Yes	414# / 6	\$3274
* <b>4280ND1</b>				No	352# / 6	\$2556

## Configuration E

For binders, files, other items stored vertically; or move dividers around and create bulk storage areas as well.



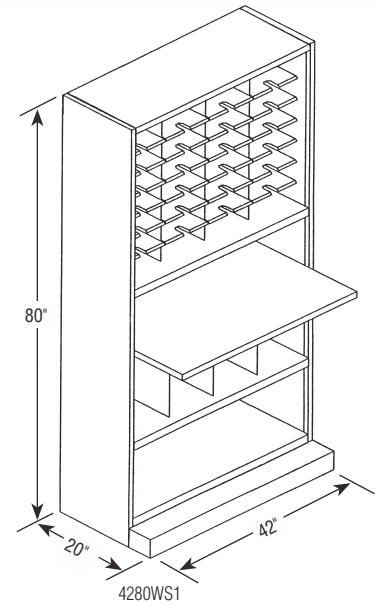
3665NE shown

Model No.	Width	Height	Features	Doors	Wt./ Cartons	List Price
<b>3665DE1</b>	36"	64 1/2"	3 Adjustable Shelves	Yes	262# / 7	\$2360
<b>3665NE1</b>			No	217# / 7	\$1895	
<b>3680DE1</b>	42"	80"	4 Adjustable Shelves	Yes	327# / 6	\$2677
<b>3680NE1</b>			No	270# / 6	\$2035	
<b>4265DE1</b>	42"	64 1/2"	3 Adjustable Shelves	Yes	294# / 8	\$2559
<b>4265NE1</b>			No	243# / 8	\$1909	
<b>4280DE1</b>	42"	80"	4 Adjustable Shelves	Yes	359# / 8	\$3048
<b>4280NE1</b>			No	297# / 8	\$2184	

These cabinets are ideal for departmental sorting or collating operations.

- 42"W models standard with 10"W pockets for storing forms, paper stock, brochures, etc.
- 36"W models standard with 11" and 12"W pockets for mail sorting.
- 1" thick low-pressure laminate work surface is 27"D and adjusts within cabinet on 1/2"H increments, 100 lb. capacity.
- All-welded steel cabinet construction.
- Steel back panel of cabinet has one 3" diameter cable management cutout.

Model No.	Width	Height	Features	Wt. / Cartons	List Price	Std. Laminate
						List Price
<b>3680WS1</b>	36"	80"	21 Pockets	202# / 8	\$2162	Lam Suffix
<b>4280WS1</b>	42"	80"	28 Pockets	247# / 8	\$2380	

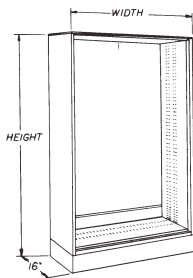


**Create Your Own Cabinet Configuration**

1. Decide which of the four F/S Cabinet models is appropriate for your organizing/collating/storing/or storage needs. Models are available 36" wide or 42" wide, and 64 1/2" high or 80" high.
2. Note the interior height and width of the model you specify (see specifications for Empty Cabinets below).
3. Configure the empty cabinet with components as shown below such that the total height and width of the components fits the interior height and width of the cabinet. All components adjust on 1/2" vertical increments.

**Empty Cabinets**

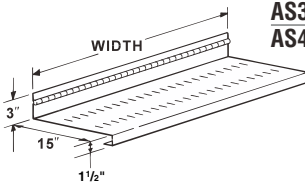
Depth, 16"; accommodate either 12" or 15" deep shelves. Sides have built-in shelf supports.



Model No.	Width		Height		Doors	Wt./ Cartons	List Price
	Int.	Ext.	Int.	Ext.			
<b>3665DX1</b>	34"	36"	57 1/2"	64 1/2"	Yes	194# / 1	\$1909
<b>3665NX1</b>					No	149# / 1	\$1362
<b>3680DX1</b>			73"	80"	Yes	230# / 1	\$2070
<b>3680NX1</b>					No	180# / 1	\$1416
<b>4265DX1</b>	40"	42"	57 1/2"	64 1/2"	Yes	217# / 1	\$2076
<b>4265NX1</b>					No	166# / 1	\$1400
<b>4280DX1</b>			73"	80"	Yes	258# / 1	\$2256
<b>4280NX1</b>					No	196# / 1	\$1522

**Adjustable Master Shelves**

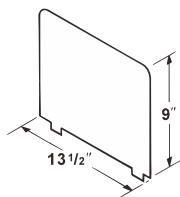
Adjust vertically on 1/2" increments. For bulk storage; or accepts shelf supports or dividers on 1" horizontal increments.



Model No.	Shelf Width	Wt./ Cartons	List Price
<b>AS36F</b>	34" (for 36"-wide cabinets)	16.8# / 1	\$131
<b>AS42F</b>	40" (for 42"-wide cabinets)	19.5# / 1	\$143

**Dividers**

Separate binders or other media. Place on adjustable master shelves or cabinet bottom on 1" horizontal increments.

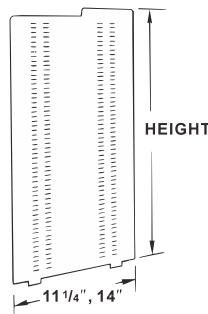


Model No.	Wt.	List Price
<b>D09GS03</b> (3)	6.9# / 1	\$43
<b>D09GS10</b> (10)	23.0# / 1	\$142

**Shelf Supports**

Not needed at sides of cabinet where shelf support is built in. Place on cabinet bottom or adjustable master shelves on 1" horizontal increments.

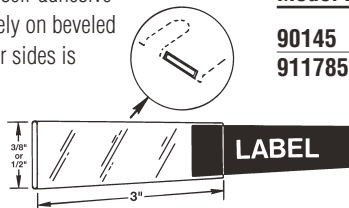
See page 155 for ordering more than 1 unit each.



Model No.	Height	Depth	For Shelf Depth of	Wt.	List Price
<b>SS24LM01</b>	21"	11 1/4"	12"	4.7#	\$34
<b>SS24GM01</b>		14"	15"	5.3#	\$41
<b>SS33LM01</b>	30"	11 1/4"	12"	6.0#	\$39
<b>SS33GM01</b>		14"	15"	7.0#	\$48
<b>SS41LM01</b>	38"	11 1/4"	12"	7.3#	\$48
<b>SS41GM01</b>		14"	15"	8.4#	\$56
<b>SS48LM01</b>	45"	11 1/4"	12"	8.4#	\$56
<b>SS48GM01</b>		14"	15"	9.7#	\$64
<b>SS65LS101</b>	57"	11 1/4"	12"	10.6#	\$72
<b>SS65GS101</b>		14"	15"	12.3#	\$102
<b>SS80LS101</b>	72"	11 1/4"	12"	13.0#	\$96
<b>SS80GS101</b>		14"	15"	15.0#	\$123

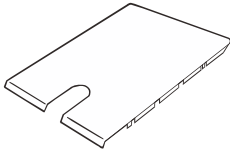
**Label Holders**

Transparent Label Holders have a self-adhesive or magnetic backing and fit securely on beveled shelf front. A blank insert with four sides is included. Package of 20.



Model No.	Description	Width	Height	Wt.	List Price
<b>90145</b>	Self-adhesive	3"	3/8"	1 oz.	\$20
<b>911785</b>	Magnetic	3"	1/2"	1oz.	\$34

## Shelves

**Kwik-Shelf® Shelving System**

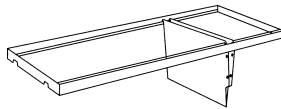
Shelves fit between Shelf Supports to create sorting or storage pockets for paper, forms, or other media. Each shelf locks firmly in place, yet removes quickly for easy reconfiguration. Shelves are 18-gauge.

**6-Shelf Package**

Model No.	Width	Depth	Wt. per shelf	List Price
0412P06	4"	12"	.5#	\$57
0512P06	5"	12"	.75#	\$61
0515P06	5"	15"	1.0#	\$65
0612P06	6"	12"	.75#	\$64
0712P06	7"	12"	1.0#	\$66
0812P06	8"	12"	1.5#	\$78
0912P06	9"	12"	1.5#	\$85
0915P06	9"	15"	2.0#	\$100
1012P06	10"	12"	1.75#	\$90
1015P06	10"	15"	2.0#	\$105
1112P06	11"	12"	2.0#	\$95
1115P06	11"	15"	2.25#	\$106
1212P06	12"	12"	2.0#	\$97
1215P06	12"	15"	2.5#	\$109
1412P06	14"	12"	2.3#	\$131
1415P06	14"	15"	2.75#	\$145
1515P06	15"	15"	2.9#	\$159
1612P06	16"	12"	2.8#	\$152
1615P06	16"	15"	3.0#	\$171

## Rails

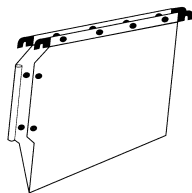
Accommodate Suspended Pockets; ideal for storage of forms or paper where space is at a premium and frequent handling for storage and/or retrieval is not required. Height, 1" (allow 11" for Rail with Suspended Pockets). Graphite only.



Model No.	Depth	Wt./ Cartons	Width	List Price
AR42	14 3/4"	5# /1	39 1/2" (for 42"-wide cabinets)	\$145
AR36	14 3/4"	4# /1	33 1/2" (for 36"-wide cabinets)	\$132

## Suspended Pockets

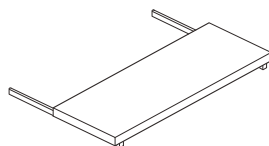
V-bottom Suspended Pockets hang from Rails (above). Set of 25 includes labels (4 1/2" x 1/4"). Snap-together feature simplifies sorting. Heavy-duty orange kraft.



Model No.	Height	Width	Depth	Wt./ Cartons	List Price
MSPV	10 13/16"	3/8"	13"	7# /1	\$125

## Roll-Out Shelves

Make an ideal temporary, extended worksurface where space is tight. When fully extended on slides (10" maximum), detent locks shelf in place. 1" thick low-pressure laminate top with high-density particleboard core; radiused 3mm PVC edge. Height 3".



Model No.	Depth	Wt./ Cartons	Width	List Price
ARS42	15"	31# /1	39 3/4" (for 42"-wide cabinets)	\$432
ARS36	15"	27# /1	33 3/4" (for 36"-wide cabinets)	\$411

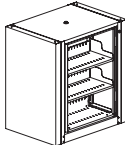
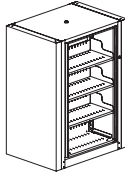
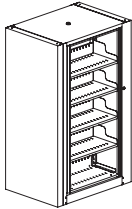
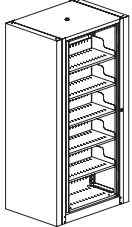
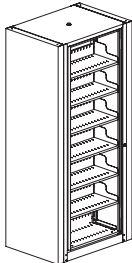
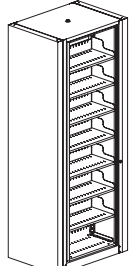
The ARC™ Rotary File is a double faced unit that rotates easily to provide access to both sides. Using our flexible cantilever style shelving, the ARC provides the most unobstructed filing inches per level and the easiest installation possible. The Complete Starter includes everything needed to house a filing system including the specified number of shelves and dividers.



- Standard Lock on all cabinets.
- Complete Units are ideal for storing color-coded filing.
- Shelves adjust on 1 1/2"H increments.
- Adder units attach to either right or left side of starter unit.
- Empty units can be configured in endless variations for mixed media storage solutions.
- Allow 5.25" (letter depth) or 6.50" (legal depth) clearance from wall for rotating carriage.
- To order a fully assembled unit, add the letter "B" after the letter "C" in the part number (e.g. ARCB244035).
- ARC top is unfinished. Work surfaces are available -- see page 155.

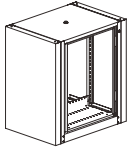
**Kwik-Ship Finish:** Pebble Gray

## PRECONFIGURED CABINET

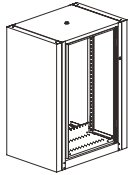
	Model No.	W	D	H	Wt.	Knockdown List Price	Assembled List Price "B"
	<b>3-Tier Complete</b>						
	<b>Letter (144 LFI)</b>						
	ARC24403S	37"	26"	40"	287#	\$1558	\$1808
	ARC24403A	31 1/2"	26"	40"	255#	\$1313	\$1563
	<b>Legal (180 LFI)</b>						
	ARC30403S	45 3/8"	32 1/8"	40"	388#	\$1899	\$2149
	ARC30403A	38 5/8"	32 1/8"	40"	348#	\$1656	\$1906
	<b>4-Tier Complete</b>						
	<b>Letter (192 LFI)</b>						
	ARC24504S	37"	26"	50"	323#	\$1737	\$1987
	ARC24504A	31 1/2"	26"	50"	258#	\$1549	\$1799
	<b>Legal (240 LFI)</b>						
	ARC30504S	45 3/8"	32 1/8"	50"	437#	\$2057	\$2307
	ARC30504A	38 5/8"	32 1/8"	50"	389#	\$1784	\$2034
	<b>5-Tier Complete</b>						
	<b>Letter (240 LFI)</b>						
	ARC24615S	37"	26"	61"	372#	\$1785	\$2035
	ARC24615A	31 1/2"	26"	61"	323#	\$1584	\$1834
	<b>Legal (300 LFI)</b>						
	ARC30615S	45 3/8"	32 1/8"	61"	484#	\$2201	\$2451
	ARC30615A	38 5/8"	32 1/8"	61"	430#	\$1999	\$2249
	<b>6-Tier Complete</b>						
	<b>Letter (288 LFI)</b>						
	ARC24726S	37"	26"	72"	403#	\$2257	\$2574
	ARC24726A	31 1/2"	26"	72"	347#	\$2070	\$2387
	<b>Legal (360 LFI)</b>						
	ARC30726S	45 3/8"	32 1/8"	72"	542#	\$2853	\$3173
	ARC30726A	38 5/8"	32 1/8"	72"	478#	\$2631	\$2951
	<b>7-Tier Complete</b>						
	<b>Letter (336 LFI)</b>						
	ARC24827S	37"	26"	82 1/2"	427#	\$2557	\$2877
	ARC24827A	31 1/2"	26"	82 1/2"	365#	\$2348	\$2668
	<b>Legal (420 LFI)</b>						
	ARC30827S	45 3/8"	32 1/8"	82 1/2"	588#	\$3170	\$3487
	ARC30827A	38 5/8"	32 1/8"	82 1/2"	516#	\$2917	\$3234
	<b>8-Tier Complete</b>						
	<b>Letter (384 LFI)</b>						
	ARC2493S	37"	26"	93"	478#	\$2868	N/A
	ARC2493A	31 1/2"	26"	93"	408#	\$2642	N/A
	<b>Legal (480 LFI)</b>						
	ARC30938S	45 3/8"	32 1/8"	93"	632#	\$3570	N/A
	ARC30938A	38 5/8"	32 1/8"	93"	550#	\$3321	N/A

Complete units have slotted shelves with two (2) file dividers per 24" wide shelf; three (3) file dividers per 30" wide shelf.  
\*\*S: Starter, A: Adder

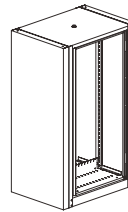
**EMPTY CABINET**



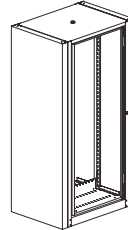
Model No.	W	D	H	Wt.	Knockdown List Price	Assembled List Price "B"
<b>3-Tier Empty</b>						
<b>Letter</b>						
ARC24403ES	37"	26"	40"	238#	\$1362	\$1612
ARC24403EA	31 1/2"	26"	40"	206#	\$1117	\$1367
<b>Legal</b>						
ARC30403ES	45 3/8"	32 1/8"	40"	326#	\$1672	\$1922
ARC30403EA	38 5/8"	32 1/8"	40"	286#	\$1429	\$1679



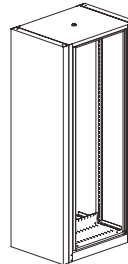
<b>4-Tier Empty</b>						
<b>Letter</b>						
ARC24504ES	37"	26"	50"	260#	\$1405	\$1655
ARC24504EA	31 1/2"	26"	50"	220#	\$1204	\$1454
<b>Legal</b>						
ARC30504ES	45 3/8"	32 1/8"	50"	348#	\$1721	\$1971
ARC30504EA	38 5/8"	32 1/8"	50"	300#	\$1449	\$1699



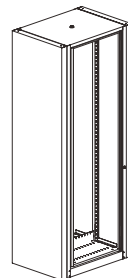
<b>5-Tier Empty</b>						
<b>Letter</b>						
ARC24615ES	37"	26"	61"	282#	\$1449	\$1699
ARC24615EA	31 1/2"	26"	61"	234#	\$1261	\$1511
<b>Legal</b>						
ARC30615ES	45 3/8"	32 1/8"	61"	368#	\$1757	\$2007
ARC30615EA	38 5/8"	32 1/8"	61"	314#	\$1556	\$1806



<b>6-Tier Empty</b>						
<b>Letter</b>						
ARC24726ES	37"	26"	72"	303#	\$1792	\$2109
ARC24726EA	31 1/2"	26"	72"	247#	\$1607	\$1924
<b>Legal</b>						
ARC30726ES	45 3/8"	32 1/8"	72"	399#	\$2210	\$2530
ARC30726EA	38 5/8"	32 1/8"	72"	335#	\$1988	\$2308



<b>7-Tier Empty</b>						
<b>Letter</b>						
ARC24827ES	37"	26"	82 1/2"	323#	\$2009	\$2326
ARC24827EA	31 1/2"	26"	82 1/2"	261#	\$1801	\$2118
<b>Legal</b>						
ARC30827ES	45 3/8"	32 1/8"	82 1/2"	423#	\$2474	\$2792
ARC30827EA	38 5/8"	32 1/8"	82 1/2"	351#	\$2230	\$2548

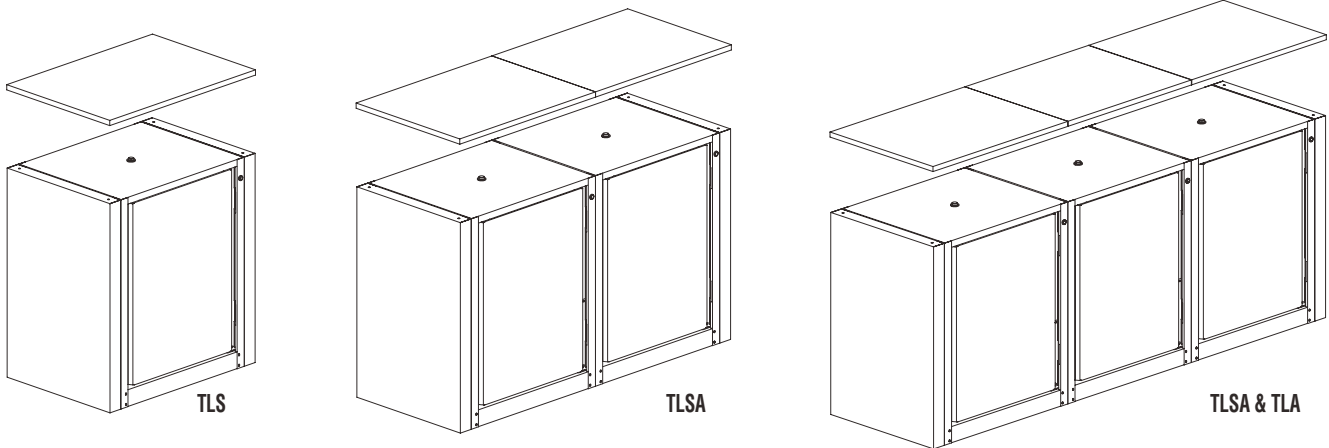


<b>8-Tier Empty</b>						
<b>Letter</b>						
ARC24938ES	37"	26"	93"	345#	\$2237	N/A
ARC24938EA	31 1/2"	26"	93"	275#	\$2018	N/A
<b>Legal</b>						
ARC30938ES	45 3/8"	32 1/8"	93"	437#	\$2776	N/A
ARC30938EA	38 5/8"	32 1/8"	93"	355#	\$2478	N/A

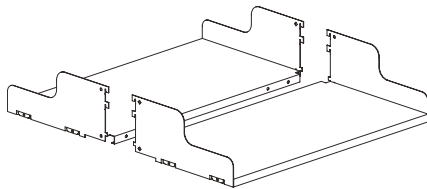


Model Number	Description	W	D	H	Wt.	Melamine List Price	Laminate List Price
							Lam Suffix
<b>TLS</b>	Letter Starter Top	37 1/16"	23 3/16"	1"	25#	\$229	\$299
<b>TLA</b>	Letter Adder Top	31 1/2"	26 3/16"	1"	22#	\$229	\$299
<b>TLSA</b>	Letter Starter/Adder Top	34 5/16"	26 3/16"	1"	25#	\$229	\$299
<b>TGS</b>	Legal Starter Top	45 9/16"	32 3/16"	1"	30#	\$229	\$299
<b>TGA</b>	Legal Starter Top	38 3/4"	32 3/16"	1"	28#	\$229	\$299
<b>TGSA</b>	Legal Starter/Adder Top	42 3/16"	32 3/16"	1"	30#	\$229	\$299

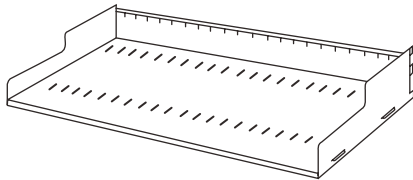
**Example:** When ordering a work surface for a letter unit, order one TLS. When ordering two letter units, order two TLSAs. When ordering multiple units, order two TLSAs and one TLA for every additional unit.



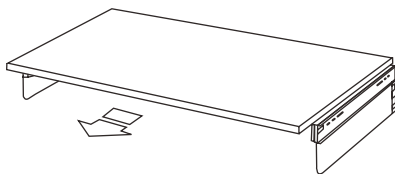
**COMPONENTS**



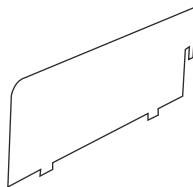
Model No.	W	H	D	Wt.	List Price
<b>Pass Through Shelf</b>					
<b>ARCPS2412</b>	24"	3/4"	12"	18#	\$109
<b>ARCPS3015</b>	30"	3/4"	15"	22#	\$129



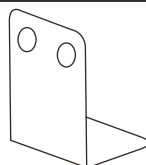
<b>* Slotted Shelves (SLF)</b>					
<b>ARC2412SLF</b>	24"	6"	12"	8#	\$45
<b>ARC3015SLF</b>	30"	6"	15"	12#	\$58



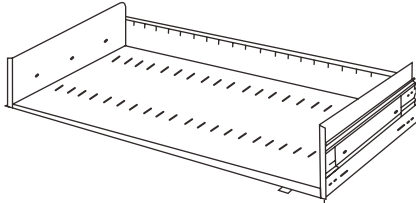
<b>* Pull Out Reference Shelves (RS)</b>					
<b>ARC2412RS</b>	24"	—	12"	20#	\$189
<b>ARC3015RS</b>	30"	—	15"	23#	\$199



<b>Adjustable File Dividers(DV) – Standard Pack of 6:</b>					
<b>F12DV6</b>	—	6"	12"	6#	\$28
<b>F15DV6</b>	—	6"	15"	7 1/2#	\$32

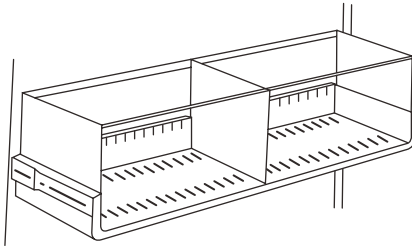


<b>Magnetic File Dividers (MDV)</b>					
<b>AMDV</b>	6 3/4"	7 1/2"	4 1/4"	1 1/2#	\$31



Model No.	W	H	D	Wt.	List Price
<b>Rollout Shelves (ROSLF)</b>					
ARC2412ROSLF	24"	6"	12"	22#	\$189
ARC3015ROSLF	30"	6"	15"	25#	\$216

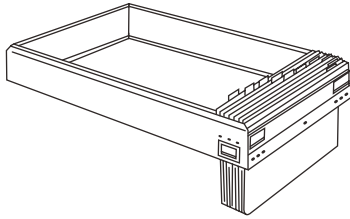
**Note:** When ordering rollout accessories, **Upright Rollout Supports** must be ordered for each side of the ARC Rotary File with installed rollout accessories. (See page 128)



**Hanging File Frame Kit (HFK)**

Used in conjunction with rollout shelves as shown.

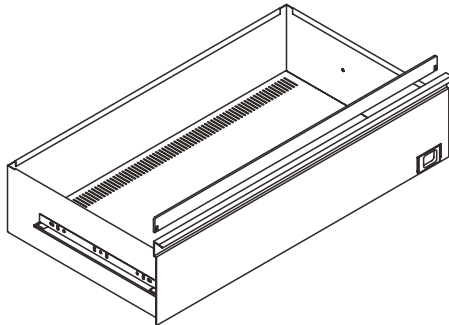
ARC2412HFK	24"	9"	12"	11#	\$88
ARC3015HFK	30"	9"	15"	13#	\$119



**Rollout Hanging Frames (ROHF)**

ARC2412ROHF	24"	—	12"	12 1/2#	\$189
ARC3015ROHF	30"	—	15"	13 1/2#	\$203

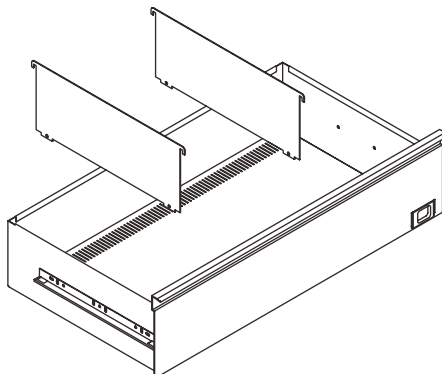
**Note:** When ordering rollout accessories, **Upright Rollout Supports** must be ordered for each side of the ARC Rotary File with installed rollout accessories. (See page 128)



**Rollout Drawers (ROD)**

Model No.	H	D	Wt.	List Price
ARC2412ROD60	6"	12"	18#	\$189
ARC3015ROD60	6"	15"	20#	\$227
ARC2412ROD75	7 1/2"	12"	23#	\$198
ARC3015ROD75	7 1/2"	15"	25#	\$231
ARC2412ROD90	9"	12"	27#	\$206
ARC3015ROD90	9"	15"	30#	\$215
ARC2412ROD105	10 1/2"	12"	32#	\$227
ARC3015ROD105	10 1/2"	15"	36#	\$246
ARC2412ROD120	12"	12"	37#	\$252
ARC3015ROD120	12"	15"	41#	\$269

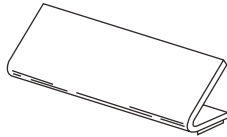
**Note:** When ordering rollout accessories, **Upright Rollout Supports** must be ordered for each side of the ARC Rotary File with installed rollout accessories. (See page 128)



**Inserts & Partitions for Rollout Drawers**

Model No.	H	D	Wt.	List Price
ARC12P	6"	LTR	9#	\$12
ARC15P	6"	LGL	11#	\$14

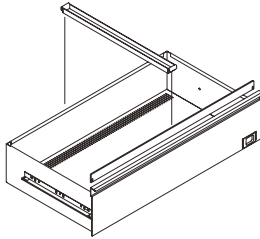
**Note:** Partitions are to be used in the 6" tall Arc rollout drawers only. Sold individually.



**Magnetic Followers (MF)**

To be used for cards filed in drawers.

Model No.	H	W	Wt.	List Price
ARC35MF	3"	5"	3/4#	\$33
ARC37MF	3"	7"	1#	\$35



**Converter Bar (CB)**

Use with rollout drawers or hanging frame kits.

To file front-to-back, use the following converter bars:

- Sold individually, not in pairs.

Model No.	D	Wt.	List Price
ARC12CB	12"	1#	\$41
ARC15CB	15"	1#	\$43

**Upright Rollout Supports (sold in pairs)**

Required on each side of ARC Rotary File with Rollout Components.

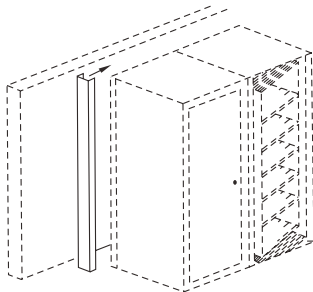
Model No.	Description	List Price
URS6	6-Tier Supports	\$55
URS7	7-Tier Supports	\$55
URS8	8-Tier Supports	\$55



**Center Panels (CP)**

Used as security or privacy panel between front and back sections of cabinet.

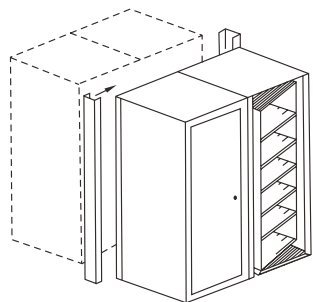
Model No.	W	H	Wt.	List Price
ARC2472CP	23"	6-tier	19#	\$109
ARC3072CP	29"	6-tier	24#	\$115
ARC2482CP	23"	7-tier	22#	\$122
ARC3082CP	29"	7-tier	28#	\$129
ARC2493CP	23"	8-tier	25#	\$139
ARC3093CP	29"	8-tier	32#	\$149



**Wall Closure Strips (WCS)**

Closes space between ARC unit and wall. Letter: 5 1/4", Legal: 6 1/2".

Model No.	D	H	Wt.	List Price
ARC2472WCS	12"	6-tier	18#	\$62
ARC3072WCS	15"	6-tier	20#	\$62
ARC2482WCS	12"	7-tier	23#	\$74
ARC3082WCS	15"	7-tier	28#	\$74
ARC2493WCS	12"	8-tier	27#	\$85
ARC3093WCS	15"	8-tier	30#	\$85



**Back-to-Back Closure Strips (BTB)**

Used to enclose the space between two ARC units when placed back-to-back.

Letter: 10 1/2", Legal: 13".

Model No.	D	H	Wt.	List Price
ARC2472BTB	LTR	6-tier	32#	\$74
ARC3072BTB	LGL	6-tier	32#	\$74
ARC2482BTB	LTR	7-tier	40#	\$85
ARC3082BTB	LGL	7-tier	40#	\$85
ARC2493BTB	LTR	8-tier	48#	\$97
ARC3093BTB	LGL	8-tier	48#	\$97



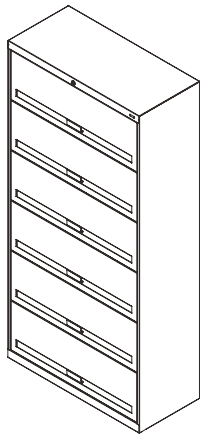
**End Panel Assemblies (EP)**

Model No.	D	H	Wt.	List Price
ARC2472EP	LTR	6-tier	42#	\$305
ARC3072EP	LGL	6-tier	50#	\$343
ARC2482EP	LTR	7-tier	54#	\$343
ARC3082EP	LGL	7-tier	64#	\$355
ARC2493EP	LTR	8-tier	69#	\$382
ARC3093EP	LGL	8-tier	82#	\$407

# FLIP 'N FILE CABINET

Mayline Customer Service: 1-800-822-8037

- The Flip 'n File Cabinet comes fully assembled and ready to use. Choose from a cabinet without doors ("N") or a cabinet with locking doors ("D").
- Shelves are fixed with a 10"H clear spacing between shelves.
- Inside width dimension of each shelf is 34".
- All units come with 4 file dividers per shelf.
- Additional dividers are available.
- Lock is located at the top of the cabinet.
- Lead-time is 10 working days.
- Standard Finishes: Pebble Gray, Sand and Black Only.









Model No.	Description	Size			Wt.	List Price
		W	H	D		
<b>FFN5</b>	5 Tier without Doors	36"	63 1/2"	16 1/2"	110#	\$980
<b>FFD5</b>	5 Tier with Doors	36"	63 1/2"	16 1/2"	160#	\$1359
<b>FFN6</b>	6 Tier without Doors	36"	75 1/4"	16 1/2"	130#	\$1091
<b>FFD6</b>	6 Tier with Doors	36"	75 1/4"	16 1/2"	186#	\$1506
<b>FFN7</b>	7 Tier without Doors	36"	87"	16 1/2"	142#	\$1225
<b>FFD7</b>	7 Tier with Doors	36"	87"	16 1/2"	212#	\$1736
<b>FFD</b>	Additional Dividers					\$3

**Note:** For keyed-alike cabinets, add a "K" to the end of the model number and \$50 to the list price.

## \* KWIK TRACK

To increase filing density, Flip 'n File shelving can also mount to Kwik-Track systems creating either a bi-file or tri-file sliding shelving system. In either configuration, the rear row of cabinets are stationary with cabinets in front mounted on a sliding carriage on a track mounted to the floor.

- Heavy-duty aluminum track construction supports 3,500 lbs. per carriage.
- Anti-tip built into base for stability and easy installation.
- Systems are complete with cabinets and track. Four dividers per shelf are included.
- Track system has a brushed aluminum finish. Floor mounting hardware included.

	Model No.	Description	Dimensions	Wt.	List Price
	<b>FF521</b>	2/1 5-Tier Cabinet	75"W x 36"D	505#	\$5056
	<b>FF532</b>	3/2 5-Tier Cabinet	113"W x 36"D	840#	\$8555
<b>2/1</b> 2 Rows; 2 Fixed, 1 Movable	<b>FF543</b>	4/3 5-Tier Cabinet	150"W x 36"D	1165#	\$11966
	<b>FF5211</b>	2/1/1 5-Tier Cabinet	75"W x 56"D	660#	\$7394
	<b>FF5322</b>	3/2/2 5-Tier Cabinet	113"W x 56"D	1150#	\$13033
<b>2/1/1</b> 3 Rows; 2 Fixed, 2 Movable	<b>FF5433</b>	4/3/3 5-Tier Cabinet	150"W x 56"D	1630#	\$18496
	<b>FF621</b>	2/1 6-Tier Cabinet	75"W x 36"D	505#	\$5497
	<b>FF632</b>	3/2 6-Tier Cabinet	113"W x 36"D	840#	\$9290
<b>3/2</b> 2 Rows; 3 Fixed, 2 Movable	<b>FF643</b>	4/3 6-Tier Cabinet	150"W x 36"D	1165#	\$12995
	<b>FF6211</b>	2/1/1 6-Tier Cabinet	75"W x 56"D	660#	\$7982
	<b>FF6322</b>	3/2/2 6-Tier Cabinet	113"W x 56"D	1150#	\$14062
<b>3/2/2</b> 3 Rows; 3 Fixed, 4 Movable	<b>FF6433</b>	4/3/3 6-Tier Cabinet	150"W x 56"D	1630#	\$19966
	<b>FF721</b>	2/1 7-Tier Cabinet	75"W x 36"D	535#	\$6187
	<b>FF732</b>	3/2 7-Tier Cabinet	113"W x 36"D	905#	\$10440
	<b>FF743</b>	4/3 7-Tier Cabinet	150"W x 36"D	1245#	\$14605
<b>4/3</b> 2 Rows; 4 Fixed, 3 Movable	<b>FF7211</b>	2/1/1 7-Tier Cabinet	75"W x 56"D	745#	\$8902
	<b>FF7322</b>	3/2/2 7-Tier Cabinet	113"W x 56"D	1295#	\$15672
	<b>FF7433</b>	4/3/3 7-Tier Cabinet	150"W x 56"D	1825#	\$22266

**Note:** For keyed-alike cabinets, add a "K" to the end of the model number and \$50 to the list price.

**4/3/3**  
3 Rows; 4 Fixed, 6 Movable

# DECORATIVE ENHANCEMENTS

Mayline Customer Service: 1-800-822-8037

Our designer friendly solution that enhances Kwik-File's filing and storage products. Aesthetically pleasing magnetic fabric or vinyl options are available in a wide variety of colors and patterns. See flyer#KFDE for options.

**Note:** Kwik-File strongly suggests that Decorative Enhancements should not be utilized with film, diagnostic or electronic media due to the magnetic backing.

- Magnetic fabric or vinyl material installs in minutes.
- Accessories can be used on most of our filing and storage products. ARC Doors, Mobile End Panels, 4-Post Uprights and Back Panels etc.
- The magnetic Dry Erase boards include a sandstone finish, eraser and marker.
- Coat Hook will support up to 11 lbs.

## ARC ROTARY CABINETS - DOOR

Model No.	Description	Width	Length	List Price Each
<b>DAD3L</b>	ARC 3-Tier Letter Dr.	25"	34 3/4"	\$161
<b>DAD3G</b>	ARC 3-Tier Legal Dr.	31"	34 3/4"	\$195
<b>DAD4L</b>	ARC 4-Tier Letter Dr.	25"	45 1/4"	\$161
<b>DAD4G</b>	ARC 4-Tier Legal Dr.	31"	45 1/4"	\$195
<b>DAD5L</b>	ARC 5-Tier Letter Dr.	25"	55 3/4"	\$161
<b>DAD5G</b>	ARC 5-Tier Legal Dr.	31"	55 3/4"	\$195
<b>DAD6L</b>	ARC 6-Tier Letter Dr.	24"	66 1/4"	\$195
<b>DAD6G</b>	ARC 6-Tier Legal Dr.	30"	66 1/4"	\$223
<b>DAD7L</b>	ARC 7-Tier Letter Dr.	24"	76 3/4"	\$195
<b>DAD7G</b>	ARC 7-Tier Legal Dr.	30"	76 3/4"	\$223
<b>DAD8L</b>	ARC 8-Tier Letter Dr.	24"	87 1/4"	\$195
<b>DAD8G</b>	ARC 8-Tier Legal Dr.	30"	87 1/4"	\$223

## 4-POST SHELVING - UPRIGHTS

Model No.	Description	Width	Length	List Price Each
<b>DFU1265</b>	4-Post Uprights Single Face Letter	12"	65"	\$167
<b>DFU1565</b>	4-Post Uprights Single Face Legal	15"	65"	\$189
<b>DFU2465</b>	4-Post Uprights Double Face Letter	24"	65"	\$278
<b>DFU3065</b>	4-Post Uprights Double Face Legal	30"	65"	\$300
<b>DFU1276</b>	4-Post Uprights Single Face Letter	12"	76"	\$167
<b>DFU1576</b>	4-Post Uprights Single Face Legal	15"	76"	\$189
<b>DFU2476</b>	4-Post Uprights Double Face Letter	24"	76"	\$278
<b>DFU3076</b>	4-Post Uprights Double Face Legal	30"	76"	\$300
<b>DFU1286</b>	4-Post Uprights Single Face Letter	12"	86"	\$167
<b>DFU1586</b>	4-Post Uprights Single Face Legal	15"	86"	\$189
<b>DFU2486</b>	4-Post Uprights Double Face Letter	24"	86"	\$278
<b>DFU3086</b>	4-Post Uprights Double Face Legal	30"	86"	\$300
<b>DFU1297</b>	4-Post Uprights Single Face Letter	12"	97"	\$167
<b>DFU1597</b>	4-Post Uprights Single Face Legal	15"	97"	\$189
<b>DFU2497</b>	4-Post Uprights Double Face Letter	24"	97"	\$278
<b>DFU3097</b>	4-Post Uprights Double Face Legal	30"	97"	\$300

**4-POST SHELVING - BACK PANELS**

Mayline Customer Service: 1-800-822-8037

Model No.	Description	Width	Length	List Price Each
<b>DFB3665</b>	4-Post Back Panel	36"	65"	\$278
<b>DFB3676</b>	4-Post Back Panel	36"	76"	\$278
<b>DFB3686</b>	4-Post Back Panel	36"	86"	\$334
<b>DFB3697</b>	4-Post Back Panel	36"	97"	\$334
<b>DFB4265</b>	4-Post Back Panel	42"	65"	\$278
<b>DFB4276</b>	4-Post Back Panel	42"	76"	\$278
<b>DFB4286</b>	4-Post Back Panel	42"	86"	\$334
<b>DFB4297</b>	4-Post Back Panel	42"	97"	\$334
<b>DFB4865</b>	4-Post Back Panel	48"	65"	\$278
<b>DFB4876</b>	4-Post Back Panel	48"	76"	\$278
<b>DFB4886</b>	4-Post Back Panel	48"	86"	\$334
<b>DFB4897</b>	4-Post Back Panel	48"	97"	\$334

**ACCESSORIES - TACK BOARD, DRY ERASE, AND COAT HOOK**

Model No.	Description	Width	Length	List Price Each
<b>Tack Board</b>				
<b>D100</b>	Tack Board	12"	40"	\$110
<b>D200</b>	Tack Board	24"	40"	\$222
<b>Dry Erase</b>				
<b>D300</b>	Dry Erase Sand Stone Finish	12"	40"	\$110
<b>D400</b>	Dry Erase Sand Stone Finish	24"	40"	\$222
<b>Coat Hook</b>				
<b>D500</b>	Coat Hook	4"	8"	\$55

**Note:** Coat hook will support up to 11lbs.

**MOBILE AISLE - END PANELS FIX**

Model No.	Description	Width	Length	List Price Each
<b>DME1265F</b>	Mobile End Panels Single Face Letter	12"	65"	\$167
<b>DME1565F</b>	Mobile End Panels Single Face Legal	15"	65"	\$189
<b>DME2465F</b>	Mobile End Panels Double Face Letter	24"	65"	\$278
<b>DME3065F</b>	Mobile End Panels Double Face Legal	30"	65"	\$300
<b>DME1276F</b>	Mobile End Panels Single Face Letter	12"	76"	\$167
<b>DME1576F</b>	Mobile End Panels Single Face Legal	15"	76"	\$189
<b>DME2476F</b>	Mobile End Panels Double Face Letter	24"	76"	\$278
<b>DME3076F</b>	Mobile End Panels Double Face Legal	30"	76"	\$300
<b>DME1286F</b>	Mobile End Panels Single Face Letter	12"	86"	\$167
<b>DME1586F</b>	Mobile End Panels Single Face Legal	15"	86"	\$189
<b>DME2486F</b>	Mobile End Panels Double Face Letter	24"	86"	\$278
<b>DME3086F</b>	Mobile End Panels Double Face Legal	30"	86"	\$300
<b>DME1297F</b>	Mobile End Panels Single Face Letter	12"	97"	\$167
<b>DME1597F</b>	Mobile End Panels Single Face Legal	15"	97"	\$189
<b>DME2497F</b>	Mobile End Panels Double Face Letter	24"	97"	\$278
<b>DME3097F</b>	Mobile End Panels Double Face Legal	30"	97"	\$300

**MOBILE AISLE - END PANELS MOVABLE**

Model No.	Description	Width	Length	List Price Each
<b>DME1865M</b>	Mobile End Panels Single Face Legal	18"	65"	\$189
<b>DME2465M</b>	Mobile End Panels Double Face Letter	24"	65"	\$278
<b>DME3065M</b>	Mobile End Panels Double Face Legal	30"	65"	\$300
<b>DME1876M</b>	Mobile End Panels Single Face Legal	18"	76"	\$189
<b>DME2476M</b>	Mobile End Panels Double Face Letter	24"	76"	\$278
<b>DME3076M</b>	Mobile End Panels Double Face Legal	30"	76"	\$300
<b>DME1886M</b>	Mobile End Panels Single Face Legal	18"	86"	\$189
<b>DME2486M</b>	Mobile End Panels Double Face Letter	24"	86"	\$278
<b>DME3086M</b>	Mobile End Panels Double Face Legal	30"	86"	\$300
<b>DME1897M</b>	Mobile End Panels Single Face Legal	18"	97"	\$189
<b>DME2497M</b>	Mobile End Panels Double Face Letter	24"	97"	\$278
<b>DME3097M</b>	Mobile End Panels Double Face Legal	30"	97"	\$300

**INSERTABLES®**  **Schedule**

Mayline Customer Service: 1-800-822-8037

**INSERTABLES® SYSTEMS**

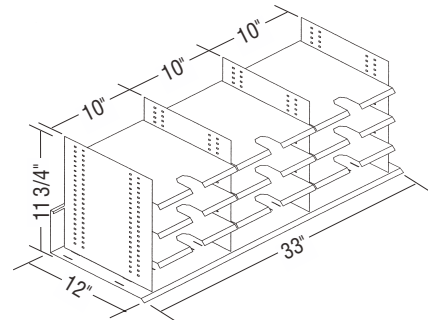
The unique Insertables® shelving system fits any standard overhead cabinet, or can be used to organize storage cabinet shelves, or even on desktops as a mini-sorter. Store forms, literature, file folders, binders, and more!

- Patented Kwik-Shelf™ system provides locking shelves that adjust on 1/2"H increments.
- Centered thumb-cuts and beveled front shelf flanges allow quick retrieval of materials.
- All-steel construction will last a lifetime. Rubber feet add stability and surface protection.

**Standard Finishes:** Pebble Gray  
**Kwik-Ship Finish:** Pebble Gray

**Manager's System**

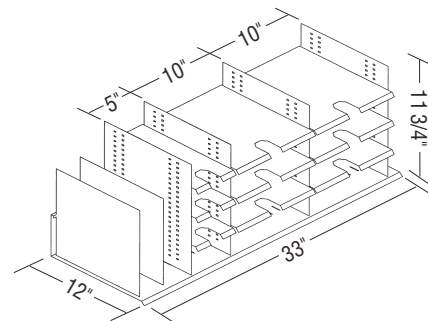
Provides 12 pockets, each 10"W x 12"D x 3"H (height adjustable in 1/2" increments).



Model No.	Wt./ Cartons	List Price
* <b>KB3312D</b>	33# / 1	\$279

**Administrator's System**

Provides eight 10"W x 12"D x 3"H and four 5"W x 12"D x 3"H pockets (height adjustable in 1/2" increments). Two dividers.



Model No.	Wt./ Cartons	List Price
* <b>KB3312E</b>	33# / 1	\$312



# FILING CARTS (NOTE: Not on GSA)

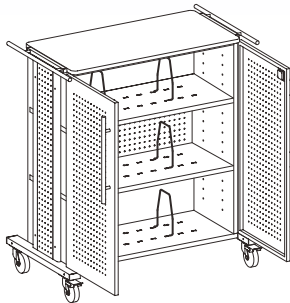
Mayline Customer Service: 1-800-822-8037

Three attractive and lockable carts that can be used to store or transport important documents with scratch resistant, laminate tops provide a useful work surface. Ships within 72 hours.

- Scratch resistant, laminate tops provide a useful work surface.
- Lockable.
- Heavy-duty casters (two locking).
- **Finish:** Sand paint with Gray Matrix laminate worksurface **only**.

## LETTER/LEGAL CART

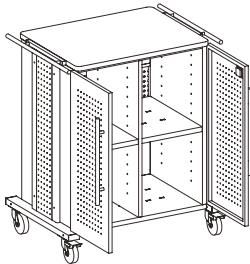
- Can store either letter or legal files.
- Three shelves, two of which are adjustable on 1 1/4"H increments.
- Two dividers per shelf.



Model No.	Description	Width	Depth	Height	List Price
FC101	File Cart	42 3/4"	26 1/2"	46 3/4"	\$799

## X-RAY CART

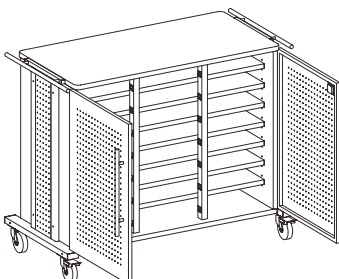
- Supports up to 350 lbs.
- Two shelves separated by a partition creating four sections.
- One divider per section.
- Shelves adjust on 1 1/4"H increments.



Model No.	Description	Width	Depth	Height	List Price
XC101	File Cart	35"	26 1/2"	40"	\$799

## LAPTOP CART

- Stores up to 24 laptops.
- Perforated steel doors and back panel provide proper ventilation.
- Two UL-listed multi-socket power strips, 24 outlets (timer not included).
- Shelves adjust on 1 1/4"H increments.



Model No.	Description	Width	Depth	Height	List Price
LC101	File Cart	50 1/2"	26 1/2"	40"	\$999

# MOBILIZERS™ (NOTE: Not on GSA)

Mayline Customer Service: 1-800-822-8037

- Mobile storage for letter and legal size hanging files.
- Heavy-gauge steel construction with 4 non-locking casters.
- Models available with or without sliding top and full-extension drawer.
- Units with lower shelf accommodate full-height binders and all units fit under most desks.
- Units with sliding top and/or drawer feature lock.
- Drawer pull included.
- All models are UPS-able. Ready-to-assemble.

**Kwik-Ship Finishes:** Black, Gray Value 1 and Sand.

Model No.	Description	Dimensions	Wt.	List Price
<b>Letter Size</b>				
* 9P600	Open File	27"H x 14"W x 26"D	28#	\$125
* 9P610	File with lid	27"H x 14"W x 26"D	34#	\$160
* 9P620	File with lid and drawer	27"H x 14 3/4"W x 26"D	57#	\$274
<b>Legal Size</b>				
* 9P611	File with lid	27"H x 17"W x 26"D	38#	\$182
* 9P621	File with lid and drawer	27"H x 17 3/4"W x 26"D	64#	\$309



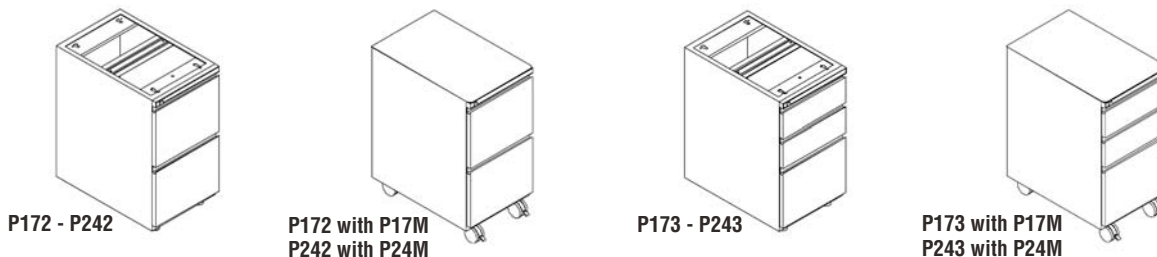
## PEDESTALS

- Replacement lock cores (\$9 ea) and Removal keys (\$10 ea) available for keying alike. Call Customer Service to order.

### Steel Drawer Pedestals

- 17 1/2" deep pedestals do not accept legal hanging files. 24" deep pedestals accept either letter or legal hanging files.
- 16-gauge welded steel cabinet with standard lock.
- 20-gauge steel drawer fronts and bodies with full-extension ball bearing extensions on all drawers.
- Each drawer features a full-width recessed pull.
- All pedestals come standard with four leveling feet.
- Mobile kits sold separately include heavy-gauge steel lid, four casters and counter-weight. (Adds 1/2" to height)
- Kwik-Ship Finishes: Black, Light Gray (matches Steelcase Gray Value 1), Dark Gray (matches Steelcase Gray Value 5), Gray Tone (matches Herman Miller Medium Tone) and Beige (matches Steelcase Warm Brown Value 1).
- Also available in all standard paint finishes. Add "C" prefix to Model No.

Model No.	Description	Dimensions	Wt.	List Price/Stocked	C Prefix List Price/Painted
* P172	File/File Pedestal	15"W x 17 1/2"D x 27 3/4"H	49#	\$267	\$328
* P173	Box-Box-File Pedestal	15"W x 17 1/2"D x 27 3/4"H	54#	\$267	\$328
* P17M	Mobile Kit for 17 1/2"D pedestals		25#	\$55	\$74
* P242	File/File Pedestal	15"W x 24"D x 27 3/4"H	60#	\$278	\$339
* P243	Box-Box-File Pedestal	15"W x 24"D x 27 3/4"H	66#	\$278	\$339
* P24M	Mobile Kit for 24"D pedestals		27#	\$55	\$74



# VERTICAL HANGING FILES (NOTE: Not on GSA)

Mayline Customer Service: 1-800-822-8037

Ideal choice for economical, mobile filing of active documents.

**Rolling Stands:** Constructed of tubular steel finished with an electrostatically applied high solid polyester paint. Front locking casters.

**Clamps:** Spring-loaded metal mounting clips with metal wing knobs. Hold up to 100 sheets.

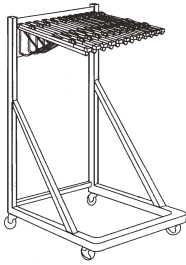
**Hangers:** Metal pivot hangers for easy removal of clamps.

## Model No.

### Vertical File Rolling Stand Complete

	Max. Filing Width	Description	Wt.	List Price
* 9321	18"	Rolling stand w/12 hangers and clamps	63#	\$969
* 9322	24"	Rolling stand w/12 hangers and clamps	66#	\$1011
* 9323	30"	Rolling stand w/12 hangers and clamps	69#	\$1057
* 9324	36"	Rolling stand w/12 hangers and clamps	71#	\$1141
* 9325	42"	Rolling stand w/12 hangers and clamps	75#	\$1197
* 9329		Rolling stand only; Height adjusts to 60" Depth adjusts to 43". Width is 26 3/4".	39#	\$461
* 9329H		Rolling stand w/hangers (no clamps)	51#	\$638

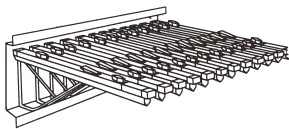
Color: Standard - Sand Beige



### Vertical File Wall Rack Complete

	Max. Filing Width	Description	Wt.	List Price
9301	18"	Wall rack w/12 hangers and clamps	46#	\$617
9302	24"	Wall rack w/12 hangers and clamps	48#	\$662
9303	30"	Wall rack w/12 hangers and clamps	50#	\$706
9304	36"	Wall rack w/12 hangers and clamps	54#	\$790
9305	42"	Wall rack w/12 hangers and clamps	58#	\$843
9309		Wall rack only; 10 1/4"H to 23 7/8"L	6.5#	\$67
9309H		Wall rack w/12 hangers (no clamps)	18.5#	\$280

Color: Standard - Sand Beige

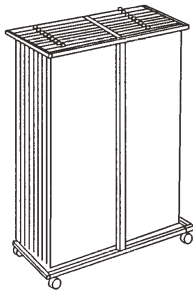


### Expandable Mobile Plan Center - Adjustable vertical file cart

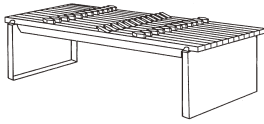
	Max. Filing Width	Description	Wt.	List Price
9429	27" - 39"	Expandable file cart, 40"-52" H x 16" D 1200 sheet, 12 clamp capacity	25#	\$495

Note: Accepts clamps of 24", 30", and 36" length. (not included)

Color: Standard - Sand Beige



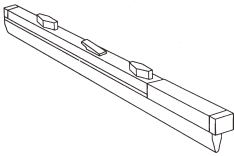
**Vertical File End Resting Wall Rack Complete**



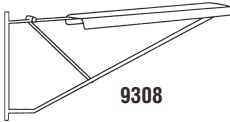
	Max. Filing Width	Description	Wt.	List Price
<b>9311</b>	18"	Wall rack with 12 clamps	18#	\$391
<b>9312</b>	24"	Wall rack with 12 clamps	22#	\$434
<b>9313</b>	30"	Wall rack with 12 clamps	24#	\$482
<b>9314</b>	36"	Wall rack with 12 clamps	28#	\$566
<b>9315</b>	42"	Wall rack with 12 clamps	32#	\$622
<b>9319</b>		Wall rack only for End Resting Clamps 8"H x 15"L	6#	\$68

Color: Standard - Sand Beige

**Clamps**



Clamps Only	Size	Qty.	Wt.	List Price
* <b>93316</b>	18"	6/ctn.	6#	\$163
* <b>93326</b>	24"	6/ctn.	8#	\$185
* <b>93336</b>	30"	6/ctn.	9#	\$205
* <b>93346</b>	36"	6/ctn.	10#	\$247
* <b>93356</b>	42"	6/ctn.	12#	\$273

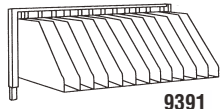


Hangers Only	Description	Wt.	List Price
<b>9308</b>	For clamps 9331 - 9335 packed 12 per carton	12#	\$235

**Data File**



Data File	Description	Wt.	List Price
<b>9390</b>	Wall rack w/12 Data Files.	28#	\$296
<b>9391</b>	Single Data File extension w/12 Data Files. Use with 9321-25	32#	\$352
<b>9397</b>	Data Files only. Packed 12 per carton.	22#	\$247
<b>9398</b>	Single Data File extension w/o Data Files. Use with 9321-25	10#	\$108



**Vertical File Parts**

Vertical File Parts	Description	Wt.	List Price
<b>10550</b>	Knobs, 12 per package	.50#	\$38
<b>10551</b>	Springs, 12 per package	.50#	\$20
<b>10552</b>	T-Bolts, 12 per package	.50#	\$26
<b>10553</b>	Labels and Holders, 12 per package	1#	\$23

# PLAN FILES

Mayline Customer Service: 1-800-822-8037

## C-FILES (NOTE: Not on GSA)

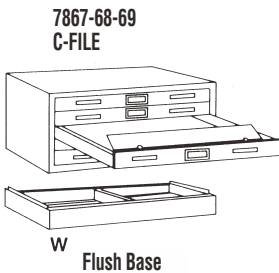
Self-contained steel C-Files® have integral cap and can be bolted together for stacking. Drawers have front metal plan depressor and rear hood to keep documents flat and orderly. (Dust covers optional.) High base designed to support one file. Drawer pulls are chrome. Five drawer units support up to 200 sheets per drawer. Ten drawer units support up to 100 sheets per drawer. Files stack three high on flush base, two high on high base.

**Kwik-Ship paint finishes:** Sand Beige, White, Black, Gray



**Model No.**

**Mayline Self-Contained Steel C-Files®**



		Overall Unit Sizes			Inside Drawer Sizes			Wt.	List Price
		W	H	D	W	H	D		
* <b>7867C</b>	Five-Drawer File	40 3/4"	15 3/8"	28 3/8"	37"	2"	25 3/4"	170#	\$1333
	<b>7867D</b> Five-Drawer w/Dust Cover	40 3/4"	15 3/8"	28 3/8"	37"	2"	25 3/4"	177#	\$1480
* <b>7977C</b>	Ten-Drawer File	40 3/4"	15 3/8"	28 3/8"	37"	5/8"	25 3/4"	210#	\$2786
	<b>7977D</b> Ten-Drawer w/Dust Covers	40 3/4"	15 3/8"	28 3/8"	37"	5/8"	25 3/4"	216#	\$3146
* <b>7877</b>	20" High Base with Bookshelf	40 3/4"	20"	28 3/8"	33 3/4"	-	14 1/2"	52#	\$535
* <b>7867W</b>	Flush Base	40 3/4"	4"	28 3/8"	-	-	-	14#	\$233



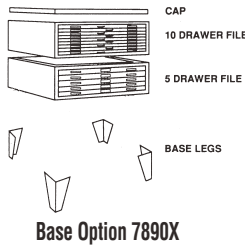
		Overall Unit Sizes			Inside Drawer Sizes			Wt.	List Price
		W	H	D	W	H	D		
* <b>7868C</b>	Five-Drawer File	46 3/4"	15 3/8"	35 3/8"	43"	2"	32 3/4"	220#	\$1549
	<b>7868D</b> Five-Drawer File w/Dust Covers	46 3/4"	15 3/8"	35 3/8"	43"	2"	32 3/4"	229#	\$1696
* <b>7978C</b>	Ten-Drawer File	46 3/4"	15 3/8"	35 3/8"	43"	5/8"	32 3/4"	305#	\$2904
	<b>7978D</b> Ten-Drawer w/Dust Covers	46 3/4"	15 3/8"	35 3/8"	43"	5/8"	32 3/4"	310#	\$3288
* <b>7878</b>	20" High Base with Bookshelf	46 3/4"	20"	35 3/8"	44 3/4"	-	14 1/2"	63#	\$607
* <b>7868W</b>	Flush Base	46 3/4"	4"	35 3/8"	-	-	-	16#	\$258

		Overall Unit Sizes			Inside Drawer Sizes			Wt.	List Price
		W	H	D	W	H	D		
* <b>7869C</b>	Five-Drawer File	53 3/4"	15 3/8"	41 3/8"	50"	2"	38 3/4"	275#	\$1847
	<b>7869D</b> Five-Drawer File w/Dust Covers	53 3/4"	15 3/8"	41 3/8"	50"	2"	38 3/4"	279#	\$1996
* <b>7979C</b>	Ten-Drawer File	53 3/4"	15 3/8"	41 3/8"	50"	5/8"	38 3/4"	365#	\$3455
	<b>7979D</b> Ten-Drawer w/Dust Covers	53 3/4"	15 3/8"	41 3/8"	50"	5/8"	38 3/4"	350#	\$3927
* <b>7879</b>	20" High Base with Bookshelf	53 3/4"	20"	41 3/8"	51 3/4"	-	14 1/2"	70#	\$668
* <b>7869W</b>	Flush Base	53 3/4"	4"	41 3/8"	-	-	-	18#	\$312

Interlocking steel plan files are designed for ease of stacking. Capacity of drawers may be increased by using Model No. 7965 and 7966 magnetic drawer dividers to arrange drawers for 1/2-, 1/4-, and 1/8-size drawing. Capacity - 1000 sheets vellum per file. Drawers have front metal plan depressor and rear hood to keep documents flat and orderly. Dust covers optional. 10-drawer files have patented tracing lifter for ease of retrieval. Able to stack three high.

**Model No.**

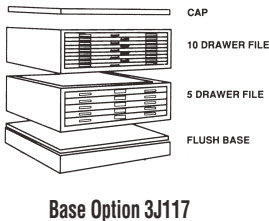
**Hamilton Unit System Files**



For 24" x 36" Sheets		Overall Unit Sizes			Inside Drawer Sizes			Wt.	List Price
		W	H	D	W	H	D		
<b>1J1</b>	Flat Cap	43 5/16"	3/4"	33 1/4"	-	-	-	33#	\$293
<b>1J15</b>	Five-Drawer File	43 5/16"	15 3/8"	32 1/2"	39 1/2"	2"	29"	188#	\$1734
<b>1J15D</b>	5-Drawer w/Dust Covers	43 5/16"	15 3/8"	32 1/2"	39 1/2"	2"	29"	195#	\$1919
<b>1J117</b>	Flush Base	43 5/16"	4"	32 1/2"	-	-	-	14#	\$276
<b>1J100</b>	Ten-Drawer File	43 5/16"	15 3/8"	32 1/2"	37 1/2"	3/4"	29"	421#	\$5207
<b>7890X</b>	Base Legs (set of 4)	-	6"	-	-	-	-	15#	\$209
<b>7890Y</b>	Base Legs (set of 4)	-	19 3/8"	-	-	-	-	45#	\$450

For 30" x 42" Sheets		Overall Unit Sizes			Inside Drawer Sizes			Wt.	List Price
		W	H	D	W	H	D		
<b>2J1</b>	Flat Cap	49 5/16"	3/4"	39 1/4"	-	-	-	44#	\$366
<b>2J15</b>	Five-Drawer File	49 5/16"	15 3/8"	38 1/2"	45 1/2"	2"	35"	233#	\$2052
<b>2J15D</b>	5-Drawer w/Dust Covers	49 5/16"	15 3/8"	38 1/2"	45 1/2"	2"	35"	242#	\$2245
<b>2J117</b>	Flush Base	49 5/16"	4"	38 1/2"	-	-	-	16#	\$350
<b>2J100</b>	Ten-Drawer File	49 5/16"	15 3/8"	38 1/2"	43 1/2"	3/4"	35"	492#	\$6203
<b>7890X</b>	Base Legs (set of 4)	-	6"	-	-	-	-	15#	\$209
<b>7890Y</b>	Base Legs (set of 4)	-	19 3/8"	-	-	-	-	45#	\$450

For 36" x 48" Sheets		Overall Unit Sizes			Inside Drawer Sizes			Wt.	List Price
		W	H	D	W	H	D		
<b>3J1</b>	Flat Cap	55 5/16"	3/4"	45 1/4"	-	-	-	51#	\$450
<b>3J15</b>	Five-Drawer File	55 5/16"	15 3/8"	44 1/2"	51 1/2"	2"	41"	293#	\$2356
<b>3J15D</b>	5-Drawer w/Dust Covers	55 5/16"	15 3/8"	44 1/2"	51 1/2"	2"	41"	304#	\$2548
<b>3J117</b>	Flush Base	55 5/16"	4"	44 1/2"	-	-	-	18#	\$420
<b>3J100</b>	Ten-Drawer File	55 5/16"	15 3/8"	44 1/2"	49 1/2"	3/4"	41"	635#	\$7157
<b>7890X</b>	Base Legs (set of 4)	-	6"	-	-	-	-	15#	\$209
<b>7890Y</b>	Base Legs (set of 4)	-	19 3/8"	-	-	-	-	45#	\$450



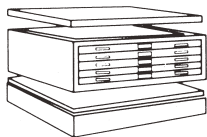
For 42" x 72" Sheets		Overall Unit Sizes			Inside Drawer Sizes			Wt.	List Price
		W	H	D	W	H	D		
<b>4J1</b>	Flat Cap	79 5/16"	3/4"	51 1/4"	-	-	-	103#	\$1258
<b>4J15D</b>	5-Drawer w/Dust Covers	79 5/16"	15 3/8"	50 1/2"	75 1/2"	1 1/2"	47"	525#	\$6997
<b>4J17</b>	Flush Base	79 5/16"	4"	50 1/2"	-	-	-	92#	\$1083

(Use Flush Base only.)

**HAMILTON REGULAR SERIES PLAN FILES SPECIFICATIONS (NOTE: Not on GSA)**

Mayline Customer Service: 1-800-822-8037

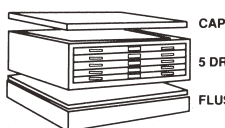
Interlocking steel plan files are designed for ease of stacking. Drawers have front plan depressor and rear hood to keep documents flat and orderly. Drawers with dust covers are optional. May be integrated with Mayline files. Able to be stacked three high.



**Model No.**

For 24" x 36" Sheets		Overall Unit Sizes			Inside Drawer Sizes			Wt.	List Price
		W	H	D	W	H	D		
<b>5J1</b>	Flat Cap	40 3/4"	3/4"	29 1/4"	-	-	-	25#	\$356
<b>5J15</b>	Five-Drawer File	40 3/4"	15 3/8"	28 3/8"	37"	2"	25 3/4"	171#	\$1588
<b>5J15D</b>	5-Drawer w/Dust Covers	40 3/4"	15 3/8"	28 3/8"	37"	2"	25 3/4"	178#	\$1765
<b>5J117</b>	Flush Base	40 3/4"	4"	28 3/8"	-	-	-	14#	\$245

For 30" x 42" Sheets		Overall Unit Sizes			Inside Drawer Sizes			Wt.	List Price
		W	H	D	W	H	D		
<b>6J1</b>	Flat Cap	46 3/4"	3/4"	36 1/4"	-	-	-	30#	\$429
<b>6J15</b>	Five-Drawer File	46 3/4"	15 3/8"	35 3/8"	43"	2"	32 3/4"	211#	\$1818
<b>6J15D</b>	5-Drawer w/Dust Covers	46 3/4"	15 3/8"	35 3/8"	43"	2"	32 3/4"	220#	\$2006
<b>6J117</b>	Flush Base	46 3/4"	4"	35 3/8"	-	-	-	16#	\$269



CAP

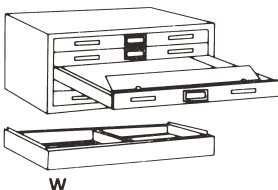
5 DRAWER FILE

FLUSH BASE

For 36" x 48" Sheets		Overall Unit Sizes			Inside Drawer Sizes			Wt.	List Price
		W	H	D	W	H	D		
<b>7J1</b>	Flat Cap	53 3/4"	3/4"	42 1/4"	-	-	-	45#	\$555
<b>7J15</b>	Five-Drawer File	53 3/4"	15 3/8"	41 3/8"	50"	2"	38 3/4"	257#	\$2180
<b>7J15D</b>	5-Drawer w/Dust Covers	53 3/4"	15 3/8"	41 3/8"	50"	2"	38 3/4"	268#	\$2368
<b>7J117</b>	Flush Base	53 3/4"	4"	41 3/8"	-	-	-	18#	\$327
<b>7890X</b>	Base Legs (set of 4)	-	6"	-	-	-	-	15#	\$209
<b>7890Y</b>	Base Legs (set of 4)	-	19 3/8"	-	-	-	-	45#	\$450

**MUSEUM FILES SPECIFICATIONS (NOTE: Not on GSA)**

Self-contained Museum Files have integral cap and can be bolted together for stacking. Drawers have front metal plan depressor and rear hood to keep documents flat and orderly. Has fully enclosed drawer cabinet bottom. Drawer suspension uses greaseless nylon rimmed ball bearings to eliminate metal to metal contact and abrasion. Paint finish specially formulated to prevent outgassing. Optional high base supports one file. Able to stack three files on flush base.



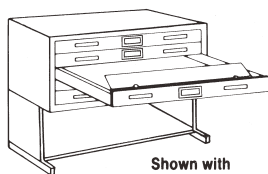
W

Shown with Flush Base

**Model No.**

For 24" x 36" Sheets		Overall Unit Sizes			Inside Drawer Sizes			Wt.	List Price
		W	H	D	W	H	D		
<b>7667</b>	Five-Drawer File	40 3/4"	15 3/8"	28 3/8"	37"	2"	25 3/4"	175#	\$1810
<b>7677</b>	Ten-Drawer File	40 3/4"	15 3/8"	28 3/8"	37"	5/8"	25 3/4"	345#	\$3619
<b>7767W</b>	Flush Base for 7667 & 7677	40 3/4"	4"	28 3/8"	-	-	-	14#	\$245
<b>7877</b>	20" High Base	40 3/4"	20"	28 3/8"	-	-	-	52#	\$535

For 30" x 42" Sheets		Overall Unit Sizes			Inside Drawer Sizes			Wt.	List Price
		W	H	D	W	H	D		
<b>7668</b>	Five-Drawer File	46 3/4"	15 3/8"	35 3/8"	43"	2"	32 3/4"	225#	\$2088
<b>7678</b>	Ten-Drawer File	46 3/4"	15 3/8"	35 3/8"	43"	5/8"	32 3/4"	445#	\$3780
<b>7768W</b>	Flush Base for 7668 & 7678	46 3/4"	4"	35 3/8"	-	-	-	16#	\$269
<b>7878</b>	20" High Base	46 3/4"	20"	35 3/8"	-	-	-	63#	\$607

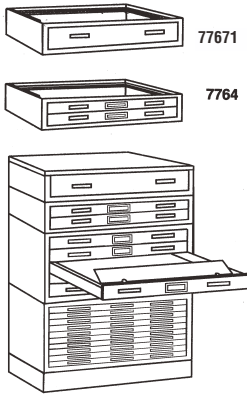


Shown with High Base

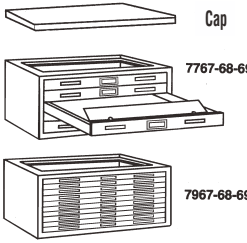
For 36" x 48" Sheets		Overall Unit Sizes			Inside Drawer Sizes			Wt.	List Price
		W	H	D	W	H	D		
<b>7669</b>	Five-Drawer File	53 3/4"	15 3/8"	41 3/8"	50"	2"	38 3/4"	280#	\$2475
<b>7679</b>	Ten-Drawer File	53 3/4"	15 3/8"	41 3/8"	50"	5/8"	38 3/4"	550#	\$4489
<b>7769W</b>	Flush Base for 7669 & 7679	53 3/4"	4"	41 3/8"	-	-	-	18#	\$327
<b>7879</b>	20" High Base	53 3/4"	20"	41 3/8"	-	-	-	70#	\$668



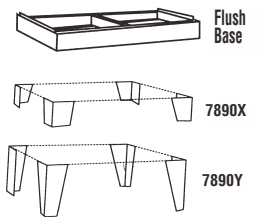
Available as five or ten-drawer stackable, interlocking units. Available with either front plan depressor or coated fabric dust covers. Stores up to 1,000 sheets. Able to stack three files on base.



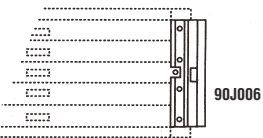
For 24" x 36" Sheets		Overall Unit Sizes			Inside Drawer Sizes			Wt.	List Price
		W	H	D	W	H	D		
<b>7767U</b>	Steel Cap	40 3/4"	3/4"	29 1/4"	-	-	-	25#	\$356
<b>7767</b>	Five Drawer File	40 3/4"	15 3/8"	28 3/8"	37"	2"	25 3/4"	171#	\$1537
<b>7767D</b>	5-Drawer w/Dust Covers	40 3/4"	15 3/8"	28 3/8"	37"	2"	25 3/4"	178#	\$1718
<b>7967</b>	10-Drawer File	40 3/4"	15 3/8"	28 3/8"	37"	5/8"	26"	228#	\$2952
<b>7967D</b>	10-Drawer File, Dust Covers	40 3/4"	15 3/8"	28 3/8"	37"	5/8"	26"	230#	\$3335
<b>7767W</b>	Flush Base	40 3/4"	4"	-	-	-	-	14#	\$245
<b>77671</b>	Deep-Drawer File	40 3/4"	7 1/2"	28 3/8"	37"	4 3/4"	26"	65#	\$975
<b>7764</b>	Two-Drawer File	40 3/4"	7 1/2"	28 3/8"	37"	2"	25 3/4"	78#	\$952
<b>7890X</b>	Sanitary Base Legs	-	6"	-	-	-	-	15#	\$209
<b>7890Y</b>	Sanitary Base Legs	-	19 3/8"	-	-	-	-	45#	\$450



For 30" x 42" Sheets		Overall Unit Sizes			Inside Drawer Sizes			Wt.	List Price
		W	H	D	W	H	D		
<b>7768U</b>	Steel Cap	46 3/4"	3/4"	36 1/4"	-	-	-	30#	\$429
<b>7768</b>	Five-Drawer File	46 3/4"	15 3/8"	35 3/8"	43"	2"	32 3/4"	211#	\$1762
<b>7768D</b>	5-Drawer w/Dust Covers	46 3/4"	15 3/8"	35 3/8"	43"	2"	32 3/4"	220#	\$1947
<b>7968</b>	10-Drawer File	46 3/4"	15 3/8"	35 3/8"	43"	5/8"	33"	298#	\$3342
<b>7968D</b>	10-Drawer File, Dust Covers	46 3/4"	15 3/8"	35 3/8"	43"	5/8"	33"	300#	\$3785
<b>7768W</b>	Flush Base	46 3/4"	4"	35 3/8"	-	-	-	16#	\$269
<b>7890X</b>	Sanitary Base Legs	-	6"	-	-	-	-	15#	\$209
<b>7890Y</b>	Sanitary Base Legs	-	19 3/8"	-	-	-	-	45#	\$450

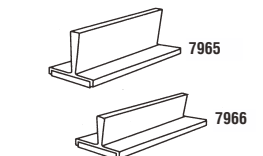


For 36" x 48" Sheets		Overall Unit Sizes			Inside Drawer Sizes			Wt.	List Price
		W	H	D	W	H	D		
<b>7769U</b>	Steel Cap	53 3/4"	3/4"	42 1/2"	-	-	-	45#	\$555
<b>7769</b>	Five-Drawer File	53 3/4"	15 3/8"	41 3/8"	50"	2"	38 3/4"	257#	\$2129
<b>7769D</b>	5-Drawer w/Dust Covers	53 3/4"	15 3/8"	41 3/8"	50"	2"	38 3/4"	267#	\$2311
<b>7969</b>	10-Drawer File	53 3/4"	15 3/8"	41 3/8"	50"	5/8"	39"	365#	\$4019
<b>7969D</b>	10-Drawer File, Dust Covers	53 3/4"	15 3/8"	41 3/8"	50"	5/8"	39"	375#	\$4571
<b>7769W</b>	Flush Base	53 3/4"	4"	41 3/8"	-	-	-	18#	\$327
<b>7890X</b>	Sanitary Base Legs	-	6"	-	-	-	-	15#	\$209
<b>7890Y</b>	Sanitary Base Legs	-	19 3/8"	-	-	-	-	45#	\$450



File Lock	Description	Wt.	List Price
<b>90J006</b>	Locking Device, steel latch fits all 5- and 10- drawer steel files	2#	\$82

**Partitions for Metal Plan Files (Black only)**



<b>7965</b>	Plastic, magnetic divider for all steel 5-drawer files 6" x 1 5/8"W x 1 5/8" H	6 per pack	1#	\$48
<b>7966</b>	Plastic, magnetic divider for all steel 10-drawer files 6" L x 1 5/8"W x 3/4"H	6 per pack	1#	\$32

**PLAN FILES, HORIZONTAL (NOTE: Not on GSA)**

Mayline Customer Service: 1-800-822-8037

**WOOD PLAN FILES**

- Drawer fronts and case sides are finished in oak.
- Drawer bottoms are hardboard.
- Antique brass drawer pulls.
- Bases are shipped unassembled.

**Model No.**

**Wood Plan Files**

For 24" x 36" Sheets		Overall Unit Sizes			Inside Dimensions			Wt.	List Price
		W	H	D	W	H	D		
<b>7717U</b>	Cap	40 13/16"	3/4"	27 3/4"	-	-	-	30#	\$423
<b>7717C</b>	Five-Drawer File	40 11/16"	13 7/8"	27 3/8"	37 5/8"	17/8"	25"	112#	\$1551
<b>7717S</b>	Bookshelf	40 11/16"	13 7/8"	27 3/8"	39 3/16"	12 3/8"	13 5/16"	70#	\$953
<b>7717W</b>	Flush Base	40 11/16"	4"	25 3/8"	-	-	-	15#	\$405

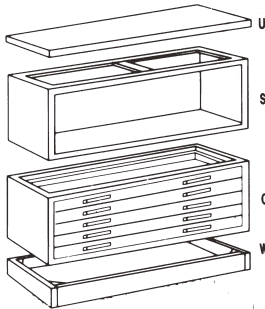
**Finishes:** Standard - Naturalist, Golden Oak, Unfinished  
 \*Both sides of shelf unit.

For 30" x 42" Sheets		Overall Unit Sizes			Inside Dimensions			Wt.	List Price
		W	H	D	W	H	D		
<b>7718U</b>	Cap	45 5/8"	3/4"	34 3/4"	-	-	-	36#	\$545
<b>7718C</b>	Five-Drawer File	45 1/2"	13 7/8"	34 3/8"	42 3/8"	1 7/8"	32"	140#	\$1672
<b>7718S</b>	Bookshelf	45 1/2"	13 7/8"	34 3/8"	44"	12 3/8"	16 3/16"	102#	\$1068
<b>7718W</b>	Flush Base	45 1/2"	4"	32 3/8"	-	-	-	18#	\$449

**Finishes:** Standard - Naturalist, Golden Oak, Unfinished  
 \*Both sides of shelf unit.

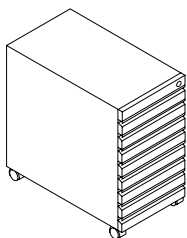
For 36" x 48" Sheets		Overall Unit Sizes			Inside Dimensions			Wt.	List Price
		W	H	D	W	H	D		
<b>7719U</b>	Cap	53 7/16"	3/4"	40 3/4"	-	-	-	52#	\$670
<b>7719C</b>	Five-Drawer File	53 5/16"	13 7/8"	40 3/8"	50 3/16"	15/8"	38"	172#	\$2211
<b>7719S</b>	Bookshelf	53 5/16"	13 7/8"	40 3/8"	51 11/16"	12 3/8"	19 3/16"	120#	\$1208
<b>7719W</b>	Flush Base	53 5/16"	4"	38 3/8"	-	-	-	22#	\$523

**Finishes:** Standard - Naturalist, Golden Oak, Unfinished  
 \*Both sides of shelf unit.



**MOBILE B-SIZE DRAWER FILE (NOTE: Not on GSA)**

Eight-drawer steel file stores up to 2,500 sheets. All-steel construction. Four casters: 2 locking, 2 non-locking. Gang lock.  
**Standard Finishes:** Sand Beige, White, Black, Gray



**Mobile B-Size Plan File**

Model No.	Overall Unit Sizes			Inside Dimensions			Wt.	List Price
	W	H	D	W	H	D		
<b>9P810</b>	15 1/4"	26 5/8"	27 3/4"	12 3/4"	1 3/4"	23 1/2"	109#	\$966

# ***Mailroom Furniture***

---



---

**Sorters**  
**Tables**  
**Cabinets**  
**Carts**  
**Accessories**

The industry's leading product line offers everything you need for your corporate mail center including sorters, tables, cabinets, carts and more.

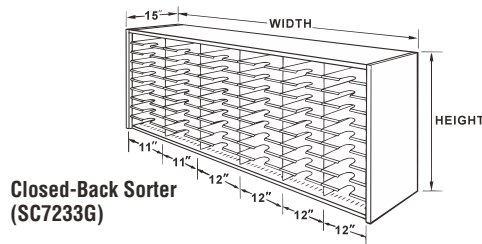
**Kwik-Ship Finish:** Pebble Gray



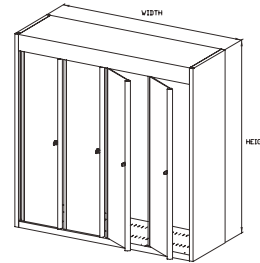
## CLOSED-BACK SORTERS

- All sorters are 15" deep.
- Sorting shelves are 12", 14" or 15" deep. Adjust on 1/2"H increments.
- Sorting shelves have thumb cuts and labeling flanges on the front edge of each shelf.
- Preconfigured models available, or build-your-own by specifying empty and adding components on pages 154 and 155. The letter E designates empty sorters.

- Sorters are available with locking Plexiglas doors, the letters CP designates preconfigured models with locking doors, and the letters EP designates empty sorters with locking doors.
- Plexiglas doors are factory installed. Standard with locks, keyed alike.
- Pricing below is for sorters with and without locking doors.
- 50 lb. weight capacity per shelf.



Closed-Back Sorter (SC7233G)



Closed-Back Sorter (SC4833EP)



Model No.	Width	Height	Shelf Depth	No. of 3" High Sorting Pockets	Locking Plexi Doors	Wt.	List Price
SC2424L		24"	12"	14	N	72#	\$860
SC2424G		(21" inside)	15"	14	N	80#	\$890
SC2424CP			14"	14	Y	90#	\$1344
SC2424EP			—	Empty	Y	58#	\$1251
SC2424E			—	Empty	Y	48#	\$658
SC2433L		33"	12"	20	N	94#	\$1057
SC2433G		(30" inside)	15"	20	N	106#	\$1102
SC2433CP			14"	20	Y	116#	\$1570
SC2433EP			—	Empty	Y	68#	\$1251
SC2433E	24"		—	Empty	N	58#	\$751
SC2441L	(22" inside)	41"	12"	24	N	112#	\$1179
SC2441G		(38" inside)	15"	24	N	127#	\$1238
SC2441CP	2 columns of 11"W shelves		14"	24	Y	137#	\$1817
SC2441EP			—	Empty	Y	78#	\$1440
SC2441E			—	Empty	N	68#	\$873
SC2448L		48"	12"	30	N	134#	\$1298
SC2448G		(45" inside)	15"	30	N	152#	\$1358
SC2448CP			14"	30	Y	162#	\$2041
SC2448EP			—	Empty	Y	88#	\$1534
SC2448E			—	Empty	N	78#	\$913
SC3624L		24"	12"	21	N	103#	\$908
SC3624G		(21" inside)	15"	21	N	115#	\$931
SC3624CP			14"	21	Y	125#	\$1934
SC3624EP			—	Empty	Y	77#	\$1606
SC3624E			—	Empty	N	67#	\$695
SC3633L		33"	12"	30	N	134#	\$1179
SC3633G		(30" inside)	15"	30	N	152#	\$1227
SC3633CP			14"	30	Y	162#	\$2442
SC3633EP			—	Empty	Y	90#	\$1711
SC3633E	36"		—	Empty	N	80#	\$885
SC3641L	(34" inside)	41"	12"	36	N	159#	\$1238
SC3641G		(38" inside)	15"	36	N	181#	\$1298
SC3641CP	2 columns of 11"W shelves		14"	36	Y	191#	\$2514
SC3641EP	and 1 column of 12"W shelves		—	Empty	Y	103#	\$1876
SC3641E			—	Empty	N	93#	\$767
SC3648L		48"	12"	45	N	191#	\$1416
SC3648G		(45" inside)	15"	45	N	218#	\$1499
SC3648CP			14"	45	Y	228#	\$2927
SC3648EP			—	Empty	Y	117#	\$1983
SC3648E			—	Empty	N	107#	\$943

**Note:** All preconfigured models are standard with two columns of 11" wide shelves and the remaining columns with 12" wide shelves. You may receive extra shelves with preconfigured sorters.

**CLOSED-BACK SORTERS CONTINUED**

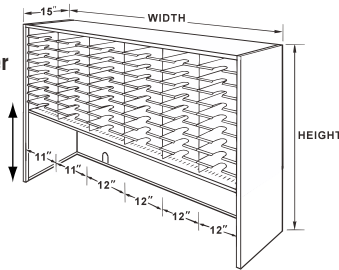
Model No.	Width	Height	Shelf Depth	No. of 3" High Sorting Pockets	Locking Plexi Doors	Wt.	List Price
SC4824L		24"	12"	28	N	134#	\$1276
SC4824G		(21" inside)	15"	28	N	150#	\$1345
SC4824CP			14"	28	Y	160#	\$2313
SC4824EP			—	Empty	Y	96#	\$1994
SC4824E			—	Empty	N	86#	\$820
SC4833L		33"	12"	40	N	174#	\$1543
SC4833G		(30" inside)	15"	40	N	198#	\$1635
SC4833CP			14"	40	Y	208#	\$2738
SC4833EP			—	Empty	Y	112#	\$2124
SC4833E			—	Empty	N	102#	\$930
SC4841L	<b>48"</b> (46" inside)	41"	12"	48	N	206#	\$1729
SC4841G		(38" inside)	15"	48	N	235#	\$1840
SC4841CP	2 columns of 11"W shelves		14"	48	Y	245#	\$3247
SC4841EP	and 2 columns of 12"W shelves		—	Empty	Y	128#	\$2361
SC4841E			—	Empty	N	118#	\$980
SC4848L		48"	12"	60	N	247#	\$2132
SC4848G		(45" inside)	15"	60	N	283#	\$2259
SC4848CP			14"	60	Y	293#	\$3696
SC4848EP			—	Empty	Y	145#	\$2502
SC4848E			—	Empty	N	135#	\$1190
SC6024L		24"	12"	35	N	165#	\$1450
SC6024G		(21" inside)	15"	35	N	185#	\$1536
SC6024CP			14"	35	Y	195#	\$2775
SC6024EP			—	Empty	Y	115#	\$2337
SC6024E			—	Empty	N	105#	\$884
SC6033L		33"	12"	50	N	200#	\$1866
SC6033G		(30" inside)	15"	50	N	230#	\$1936
SC6033CP			14"	50	Y	240#	\$3400
SC6033EP			—	Empty	Y	120#	\$2514
SC6033E			—	Empty	N	110#	\$967
SC6041L	<b>60"</b> (58" inside)	41"	12"	60	N	225#	\$2167
SC6041G		(38" inside)	15"	60	N	261#	\$2226
SC6041CP	2 columns of 11"W shelves and 3 columns of 12"W shelves		14"	60	Y	271#	\$3932
SC6041EP			—	Empty	Y	125#	\$2786
SC6041E			—	Empty	N	115#	\$1062
SC6048L		48"	12"	75	N	260#	\$2480
* SC6048G		(45" inside)	15"	75	N	306#	\$2617
SC6048CP			14"	75	Y	316#	\$4427
SC6048EP			—	Empty	Y	130#	\$2975
SC6048E			—	Empty	N	120#	\$1335
SC7224L		24"	12"	42	N	190#	\$1696
SC7224G		(21" inside)	15"	42	N	214#	\$1823
SC7224CP			14"	42	Y	224#	\$3269
SC7224EP			—	Empty	Y	128#	\$2727
SC7224E			—	Empty	N	118#	\$1011
SC7233L		33"	12"	60	N	233#	\$2123
SC7233G		(30" inside)	15"	60	N	269#	\$2288
SC7233CP			14"	60	Y	279#	\$3932
SC7233EP			—	Empty	Y	135#	\$2940
SC7233E			—	Empty	N	125#	\$1062
SC7241L	<b>72"</b> (70" inside)	41"	12"	72	N	265#	\$2485
SC7241G		(38" inside)	15"	72	N	309#	\$2600
SC7241CP	2 columns of 11"W shelves and 4 columns of 12"W shelves		14"	72	Y	319#	\$4676
SC7241EP			—	Empty	Y	143#	\$3269
SC7241E			—	Empty	N	133#	\$1319
SC7248L		48"	12"	90	N	308#	\$2955
* SC7248G		(45" inside)	15"	90	N	364#	\$3072
SC7248CP			14"	90	Y	374#	\$5349
SC7248EP			—	Empty	Y	150#	\$3482
SC7248E			—	Empty	N	140#	\$1400

**ELEVATED CLOSED-BACK SORTERS**

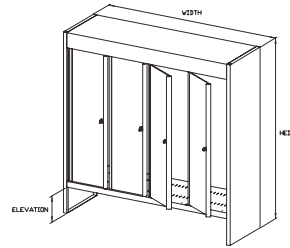
- All sorters are 15" deep.
- Sorting shelves are 12", 14" or 15" deep. Adjust on 1/2"H increments.
- Sorting shelves have thumb cuts and labeling flanges on the front edge of each shelf.
- Preconfigured models available, or build-your-own by specifying empty and adding components on pages 154 and 155. The letter E designates empty sorters.

- Sorters are available with locking Plexiglas doors, the letters CP designates preconfigured models with locking doors, and the letters EP designates empty sorters with locking doors.
- Plexiglas doors are factory installed. Standard with locks, keyed alike.
- Elevated sorters offer more workspace, by raising the sorter off the work area.
- Pricing below is for sorters with and without locking doors.

**Elevated Closed-Back Sorter (SC7248GH)**



**Elevated Closed-Back Sorter (SC4848EPL)**



Model No.	Width	Height	Elevation	Shelf Depth	No. of 3" High Sorting Pockets	Locking Plexi Doors	Wt.	List Price
SC2433LL		33"	9"	12"	14	N	86#	\$943
SC2433GL		(21" inside)		15"	14	N	95#	\$979
SC2433CPL				14"	14	Y	105#	\$1403
SC2433EPL				—	Empty	Y	68#	\$1310
SC2433EL				—	Empty	N	58#	\$751
SC2441LL		41"	8"	12"	20	N	98#	\$1179
SC2441GL		(30" inside)		15"	20	N	111#	\$1224
SC2441CPL				14"	20	Y	121#	\$1747
SC2441EPL				—	Empty	Y	78#	\$1403
SC2441EL				—	Empty	N	68#	\$826
SC2441LH		41"	17"	12"	14	N	96#	\$1069
SC2441GH	<b>24"</b>	(21" inside)		15"	14	N	105#	\$1103
SC2441CPH	(22" inside)			14"	14	Y	115#	\$1592
SC2441EPH				—	Empty	Y	78#	\$1334
SC2441EH	2 columns of			—	Empty	N	68#	\$826
SC2448LL	11"W shelves	48"	7"	12"	24	N	122#	\$1298
SC2448GL		(38" inside)		15"	24	N	132#	\$1358
SC2448CPL				14"	24	Y	142#	\$2124
SC2448EPL				—	Empty	Y	88#	\$1652
SC2448EL				—	Empty	N	78#	\$885
SC2448LH		48"	15"	12"	20	N	118#	\$1242
SC2448GH		(30" inside)		15"	20	N	132#	\$1302
SC2448CPH				14"	20	Y	142#	\$1664
SC2448EPH				—	Empty	Y	88#	\$1451
SC2448EH				—	Empty	N	78#	\$885
SC3633LL		33"	9"	12"	21	N	114#	\$1062
SC3633GL		(21" inside)		15"	21	N	128#	\$1097
SC3633CPL				14"	21	Y	138#	\$1889
SC3633EPL				—	Empty	Y	90#	\$1688
SC3633EL				—	Empty	N	80#	\$826
SC3641LL		41"	8"	12"	30	N	148#	\$1298
SC3641GL		(30" inside)		15"	30	N	168#	\$1416
SC3641CPL				14"	30	Y	178#	\$2313
SC3641EPL				—	Empty	Y	103#	\$1817
SC3641EL				—	Empty	N	93#	\$920
SC3641LH		41"	17"	12"	21	N	135#	\$1108
SC3641GH	<b>36"</b>	(21" inside)		15"	21	N	149#	\$1179
SC3641CPH	(34" inside)			14"	21	Y	159#	\$2079
SC3641EPH				—	Empty	Y	103#	\$1735
SC3641EH	2 columns of			—	Empty	N	93#	\$920
SC3648LL	11"W shelves	48"	7"	12"	36	N	168#	\$1534
SC3648GL	and 1 column of	(38" inside)		15"	36	N	198#	\$1592
SC3648CPL	12"W shelves			14"	36	Y	208#	\$2714
SC3648EPL				—	Empty	Y	117#	\$2006
SC3648EL				—	Empty	N	107#	\$1002
SC3648LH		48"	15"	12"	30	N	167#	\$1478
SC3648GH		(30" inside)		15"	30	N	187#	\$1537
SC3648CPH				14"	30	Y	197#	\$2313
SC3648EPH				—	Empty	Y	117#	\$1829
SC3648EH				—	Empty	N	107#	\$1002



**ELEVATED CLOSED-BACK SORTERS CONTINUED**



Mayline Customer Service: 1-800-822-8037

Model No.	Width	Height	Elevation	Shelf Depth	No. of 3" High Sorting Pockets	Locking Plexi Doors	Wt.	List Price
SC4833LL		33"	9"	12"	28	N	142#	\$1298
SC4833GL		(21" inside)		15"	28	N	160#	\$1388
SC4833CPL				14"	28	Y	170#	\$2384
SC4833EPL				—	Empty	Y	112#	\$2079
SC4833EL				—	Empty	N	102#	\$930
SC4841LL	<b>48"</b> (46" inside)	41"	8"	12"	40	N	198#	\$1672
SC4841GL		(30" inside)		15"	40	N	224#	\$1764
SC4841CPL				14"	40	Y	234#	\$2834
SC4841EPL				—	Empty	Y	128#	\$2243
SC4841EL	2 columns of 11"W shelves			—	Empty	N	118#	\$1061
SC4841LH		41"	17"	12"	28	N	174#	\$1453
SC4841GH		(21" inside)		15"	28	N	193#	\$1470
SC4841CPH	and 2 columns of 12"W shelves			14"	28	Y	203#	\$2550
SC4841EPH				—	Empty	Y	128#	\$2137
SC4841EH				—	Empty	N	118#	\$1061
SC4848LL		48"	7"	12"	48	N	214#	\$2037
SC4848GL		(38" inside)		15"	48	N	263#	\$2150
SC4848CPL				14"	48	Y	273#	\$3305
SC4848EPL				—	Empty	Y	145#	\$2479
SC4848EL				—	Empty	N	135#	\$1121
SC4848LH		48"	15"	12"	40	N	215#	\$1803
SC4848GH		(30" inside)		15"	40	N	241#	\$1889
SC4848CPH				14"	40	Y	251#	\$2869
SC4848EPH				—	Empty	Y	145#	\$2289
SC4848EH				—	Empty	N	135#	\$1121
SC6033LL		33"	9"	12"	35	N	180#	\$1534
SC6033GL		(21" inside)		15"	35	N	203#	\$1628
SC6033CPL				14"	35	Y	213#	\$2845
SC6033EPL				14"	Empty	Y	120#	\$2432
SC6033EL				—	Empty	N	110#	\$1028
SC6041LL		41"	8"	12"	50	N	215#	\$1992
SC6041GL		(30" inside)		15"	50	N	248#	\$2063
SC6041CPL				14"	50	Y	258#	\$3424
SC6041EPL				—	Empty	Y	125#	\$2620
SC6041EL				—	Empty	N	115#	\$1121
SC6041LH		41"	17"	12"	35	N	185#	\$1668
SC6041GH	<b>60"</b> (58" inside)	(21" inside)		15"	35	N	208#	\$1751
SC6041CPH				14"	35	Y	218#	\$2892
SC6041EPH				—	Empty	Y	125#	\$2479
SC6041EH	2 columns of 11"W shelves			—	Empty	N	115#	\$1121
SC6048LL		48"	7"	12"	60	N	235#	\$2292
SC6048GL		(38" inside)		15"	60	N	275#	\$2398
SC6048CPL	and 3 columns of 12"W shelves			14"	60	Y	285#	\$4014
SC6048EPL				—	Empty	Y	130#	\$2904
SC6048EL				—	Empty	N	120#	\$1179
SC6048LH		48"	15"	12"	50	N	220#	\$2121
* SC6048GH		(30" inside)		15"	50	N	233#	\$2191
SC6048CPH				14"	50	Y	243#	\$3530
SC6048EPH				—	Empty	Y	130#	\$2679
SC6048EH				—	Empty	N	120#	\$1179
SC7233LL		33"	9"	12"	42	N	209#	\$1740
SC7233GL		(21" inside)		15"	42	N	237#	\$1897
SC7233CPL				14"	42	Y	247#	\$3365
SC7233EPL				—	Empty	Y	135#	\$2845
SC7233EL				—	Empty	N	125#	\$1109
SC7241LL		41"	8"	12"	60	N	253#	\$2327
SC7241GL		(30" inside)		15"	60	N	292#	\$2488
SC7241CPL				14"	60	Y	302#	\$4014
SC7241EPL				—	Empty	Y	143#	\$3069
SC7241EL				—	Empty	N	133#	\$1179
SC7241LH		41"	17"	12"	42	N	217#	\$1931
SC7241GH	<b>72"</b> (70" inside)	(21" inside)		15"	42	N	245#	\$2090
SC7241CPH				14"	42	Y	255#	\$3410
SC7241EPH				—	Empty	Y	143#	\$2904
SC7241EH	2 columns of 11"W shelves			—	Empty	N	133#	\$1179
SC7248LL		48"	7"	12"	72	N	284#	\$2673
SC7248GL		(38" inside)		15"	72	N	332#	\$2681
SC7248CPL	and 4 columns of 12"W shelves			14"	72	Y	347#	\$4723
SC7248EPL				—	Empty	Y	155#	\$3376
SC7248EL				—	Empty	N	140#	\$1298
SC7248LH		48"	15"	12"	60	N	260#	\$2410
* SC7248GH		(30" inside)		15"	60	N	300#	\$2575
SC7248CPH				14"	60	Y	315#	\$4073
SC7248EPH				—	Empty	Y	155#	\$3128
SC7248EH				—	Empty	N	140#	\$1298



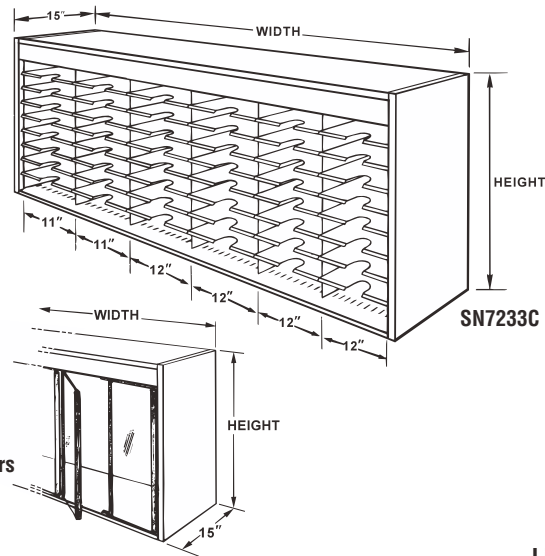
**OPEN-BACK SORTERS**

Open-Back Sorters are typically used where mail is passed through – sorted on one side and collected by the recipient on the other.

- All sorters are 15" deep with 14" deep sorting shelves. Adjust on 1/2"H increments.
- Sorting shelves have thumb cuts and labeling flanges on both front and back of shelves.
- Preconfigured models, designated by the letter C are available, or build-your-own by specifying empty sorter designated by the letter E and adding components on pages 154 and 155.
- All sorters are available with locking Plexiglas doors, which is designated by the letter P.
- Plexiglas doors are factory installed. Standard with locks, keyed alike.
- Elevated sorters offer more workspace, by raising the sorter off the work area.

• Pricing below is for sorters with and without doors.

Plexiglas® Doors



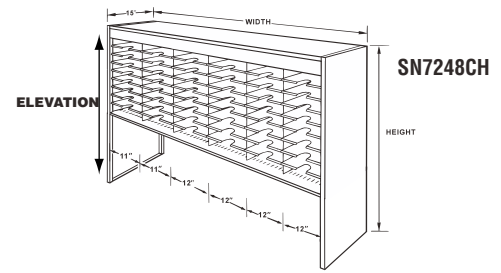
Model No.	Width	Height	No. of 3" High Sorting Pockets	Wt.	List Price	List Price With Doors P Suffix
SN2424C		24"	12	54#	\$842	\$1298
SN2424E		(18" inside)	Empty	30#	\$649	\$1203
SN2433C	<b>24"</b>	33"	18	82#	\$987	\$1416
SN2433E	(22" inside)	(27" inside)	Empty	40#	\$731	\$1262
SN2441C	2 columns of	41"	22	94#	\$1187	\$1592
SN2441E	11"W shelves	(35" inside)	Empty	50#	\$832	\$1416
SN2448C		48"	28	130#	\$1288	\$1948
SN2448E		(42" inside)	Empty	60#	\$869	\$1428
SN3624C		24"	18	70#	\$1121	\$1711
SN3624E	<b>36"</b>	(18" inside)	Empty	43#	\$767	\$1510
SN3633C	(34" inside)	33"	27	116#	\$1298	\$1889
SN3633E	2 columns of	(27" inside)	Empty	50#	\$789	\$1581
SN3641C	11"W shelves	41"	33	138#	\$1428	\$2006
SN3641E	and 1 column	(35" inside)	Empty	58#	\$943	\$1758
SN3648C	of 12"W shelves	48"	42	172#	\$1616	\$2550
SN3648E		(42" inside)	Empty	65#	\$1002	\$1793
SN4824C		24"	24	85#	\$1254	\$2006
SN4824E	<b>48"</b>	(18" inside)	Empty	55#	\$815	\$1806
SN4833C	(46" inside)	33"	36	149#	\$1522	\$2041
SN4833E	2 columns of	(27" inside)	Empty	60#	\$911	\$1900
SN4841C	11"W shelves	41"	44	181#	\$1823	\$2597
SN4841E	and 2 columns	(35" inside)	Empty	65#	\$991	\$2137
SN4848C	of 12"W shelves	48"	56	213#	\$2134	\$3046
SN4848E		(42" inside)	Empty	70#	\$1038	\$2196
SN6024C		24"	30	138#	\$1487	\$2479
SN6024E	<b>60"</b>	(18" inside)	Empty	70#	\$843	\$2124
SN6033C	(58" inside)	33"	45	188#	\$1797	\$2597
SN6033E	2 columns of	(27" inside)	Empty	75#	\$927	\$2230
SN6041C	11"W shelves	41"	55	238#	\$2081	\$3033
SN6041E	and 3 columns	(35" inside)	Empty	80#	\$1123	\$2538
SN6048C	of 12"W shelves	48"	70	285#	\$2543	\$3778
SN6048EP		(42" inside)	Empty	85#	\$1179	\$2597
SN7224C		24"	36	185#	\$1747	\$2834
SN7224EP	<b>72"</b>	(18" inside)	Empty	85#	\$945	\$2467
SN7233C	(70" inside)	33"	54	232#	\$2110	\$3259
SN7233E	2 columns of	(27" inside)	Empty	95#	\$1061	\$2609
SN7241C	11"W shelves	41"	66	282#	\$2442	\$3541
SN7241E	and 4 columns	(35" inside)	Empty	105#	\$1238	\$2963
SN7248C	of 12"W shelves	48"	84	331#	\$2921	\$4251
SN7248E		(42" inside)	Empty	115#	\$1298	\$3033

**Note:** All preconfigured models are standard with two columns of 11" wide shelves and the remaining columns with 12" wide shelves. You may receive extra shelves with preconfigured sorters.

**ELEVATED OPEN-BACK SORTERS**

Open-Back Sorters are typically used where mail is passed through – sorted on one side and collected by the recipient on the other.

- All sorters are 15" deep with 14" deep sorting shelves. Adjust on 1/2"H increments.
- Sorting shelves have thumb cuts and labeling flanges on both front and back of shelves.
- Preconfigured models, designated by the letter C are available, or build-your-own by specifying empty sorter designated by the letter E and adding components on pages 154 and 155.
- All sorters are available with locking Plexiglas doors, which is designated by the letter P.
- Plexiglas doors are factory installed. Standard with locks, keyed alike.
- Elevated sorters offer more workspace, by raising the sorter off the work area.
- Pricing below is for sorters with and without doors.



Model No.	Width	Height	Elevation	No. of 3" High Sorting Pockets	Wt.	List Price	List Price With Doors P Suffix
SN2433CL		33"	9"	12	64#	\$922	\$1534
SN2433EL		(18" inside)		Empty	40#	\$731	\$1320
SN2441CL	24"	41"	8"	18	86#	\$1095	\$1676
SN2441EL	(22" inside)	(27" inside)		Empty	50#	\$849	\$1393
SN2441CH		41"	17"	12	74#	\$1121	\$1581
SN2441EH	2 columns of	(18" inside)		Empty	50#	\$832	\$1358
SN2448CL	11"W shelves	48"	7"	22	110#	\$1242	\$1889
SN2448EL		(35" inside)		Empty	60#	\$869	\$1510
SN2448CH		48"	15"	18	86#	\$1139	\$1698
SN2448EH		(27" inside)		Empty	60#	\$869	\$1403
SN3633CL		33"	9"	18	84#	\$1262	\$2006
SN3633EL		(18" inside)		Empty	47#	\$920	\$1652
SN3641CL	36"	41"	8"	27	109#	\$1475	\$2230
SN3641EL	(34" inside)	(27" inside)		Empty	55#	\$956	\$1711
SN3641CH		41"	17"	18	91#	\$1344	\$2006
SN3641EH	2 columns of	(18" inside)		Empty	55#	\$956	\$1664
SN3648CL	11"W shelves	48"	7"	33	132#	\$1676	\$2479
SN3648EL	and 1 column	(35" inside)		Empty	63#	\$991	\$1889
SN3648CH	of 12"W shelves	48"	15"	27	112#	\$1581	\$2243
SN3648EH		(27" inside)		Empty	63#	\$991	\$1747
SN4833CL		33"	9"	24	103#	\$1344	\$2432
SN4833EL		(18" inside)		Empty	55#	\$911	\$1948
SN4841CL	48"	41"	8"	36	132#	\$1669	\$2692
SN4841EL	(46" inside)	(27" inside)		Empty	60#	\$1083	\$2065
SN4841CH		41"	17"	24	108#	\$1517	\$2443
SN4841EH	2 columns of	(18" inside)		Empty	60#	\$991	\$2006
SN4848CL	11"W shelves	48"	7"	44	153#	\$2004	\$3116
SN4848EL	and 2 columns	(35" inside)		Empty	65#	\$1154	\$2289
SN4848CH	of 12"W shelves	48"	15"	36	137#	\$1738	\$2714
SN4848EH		(27" inside)		Empty	65#	\$1026	\$2089
SN6033CL		33"	9"	30	135#	\$1571	\$2869
SN6033EL		(18" inside)		Empty	75#	\$877	\$2278
SN6041CL	60"	41"	8"	45	170#	\$1961	\$3164
SN6041EL	(58" inside)	(27" inside)		Empty	80#	\$1123	\$2384
SN6041CH		41"	17"	30	140#	\$1759	\$2892
SN6041EH	2 columns of	(18" inside)		Empty	80#	\$1038	\$2302
SN6048CL	11"W shelves	48"	7"	55	195#	\$2151	\$3637
SN6048EL	and 3 columns	(35" inside)		Empty	85#	\$1062	\$2714
SN6048CH	of 12"W shelves	48"	15"	45	175#	\$2123	\$3187
SN6048EH		(27" inside)		Empty	85#	\$1220	\$2419
SN7233CL		33"	9"	36	164#	\$1855	\$3365
SN7233EL		(18" inside)		Empty	92#	\$1061	\$2597
SN7241CL	72"	41"	8"	54	213#	\$2246	\$3778
SN7241EL	(70" inside)	(27" inside)		Empty	105#	\$1241	\$2714
SN7241CH		41"	17"	36	177#	\$2031	\$3376
SN7241EH	2 columns of	(18" inside)		Empty	105#	\$1241	\$2597
SN7248CL	11"W shelves	48"	7"	66	247#	\$2472	\$4251
SN7248EL	and 4 columns	(35" inside)		Empty	115#	\$1179	\$3069
SN7248CH	of 12"W shelves	48"	15"	54	223#	\$2379	\$3778
SN7248EH		(27" inside)		Empty	115#	\$1312	\$2714

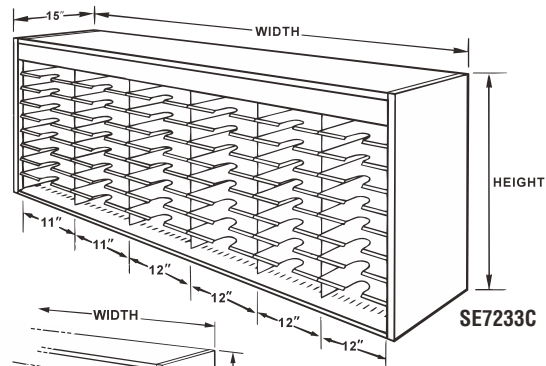
**Note:** All preconfigured models are standard with two columns of 11" wide shelves and the remaining columns with 12" wide shelves. You may receive extra shelves with preconfigured sorters.

**CLOSED BACK SORTERS WITH PLEXIGLAS BACK**

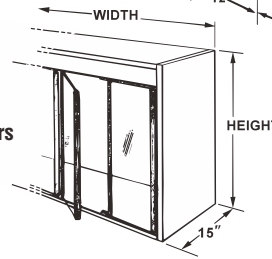


Mayline Customer Service: 1-800-822-8037

- All sorters are 15" deep with 14" deep sorting shelves. Adjust on 1/2"H increments.
  - All sorters are complete with clear Plexiglas back panel.
  - Sorting shelves have thumb cuts and labeling flanges on the front edge of each shelf.
  - Preconfigured models, designated by the letter C are available, or build-your-own by specifying empty sorter designated by the letter E and adding components on pages 154 and 155.
  - All sorters are available with locking Plexiglas doors, which is designated by the letter P.
  - Plexiglas doors are factory installed. Standard with locks, keyed alike.
- Pricing below is for sorters with and without doors.



Plexiglas® Doors

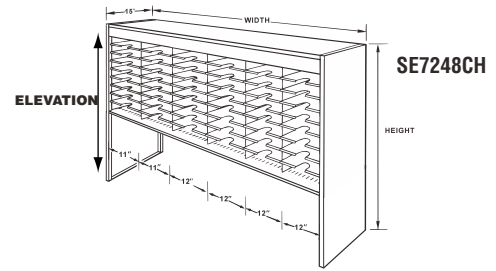


Model No.	Width	Height	No. of 3" High Sorting Pockets	Wt.	List Price	List Price With Doors P Suffix
SE2424C		24"	12	54#	\$1062	\$1534
SE2424E		(18" inside)	Empty	30#	\$896	\$1251
SE2433C	<b>24"</b>	33"	18	82#	\$1157	\$1865
SE2433E	(22" inside)	(27" inside)	Empty	40#	\$943	\$1298
SE2441C	2 columns of	41"	22	94#	\$1275	\$2184
SE2441E	11"W shelves	(35" inside)	Empty	50#	\$991	\$1344
SE2448C		48"	28	130#	\$1344	\$2302
SE2448E		(42" inside)	Empty	60#	\$1015	\$1487
SE3624C		24"	18	70#	\$1227	\$2006
SE3624E	<b>36"</b>	(18" inside)	Empty	43#	\$980	\$1451
SE3633C	(34" inside)	33"	27	116#	\$1393	\$2597
SE3633E	2 columns of	(27" inside)	Empty	50#	\$1015	\$1487
SE3641C	11"W shelves	41"	33	138#	\$1510	\$2775
SE3641E	and 1 column	(35" inside)	Empty	58#	\$1074	\$1664
SE3648C	of 12"W shelves	48"	42	172#	\$1652	\$3187
SE3648E		(42" inside)	Empty	65#	\$1097	\$1771
SE4824C		24"	24	85#	\$1416	\$2597
SE4824E	<b>48"</b>	(18" inside)	Empty	55#	\$1038	\$1771
SE4833C	(46" inside)	33"	36	149#	\$1592	\$2951
SE4833E	2 columns of	(27" inside)	Empty	60#	\$1121	\$1889
SE4841C	11"W shelves	41"	44	181#	\$1771	\$3482
SE4841E	and 2 columns	(35" inside)	Empty	65#	\$1168	\$2124
SE4848C	of 12"W shelves	48"	56	213#	\$1934	\$3955
SE4848E		(42" inside)	Empty	70#	\$1203	\$2243
SE6024C		24"	30	138#	\$1592	\$3069
SE6024E	<b>60"</b>	(18" inside)	Empty	70#	\$1108	\$2006
SE6033C	(58" inside)	33"	45	188#	\$1783	\$3541
SE6033E	2 columns of	(27" inside)	Empty	75#	\$1179	\$2124
SE6041C	11"W shelves	41"	55	238#	\$1971	\$4131
SE6041E	and 3 columns	(35" inside)	Empty	80#	\$1262	\$2361
SE6048C	of 12"W shelves	48"	70	285#	\$2171	\$4723
SE6048E		(42" inside)	Empty	85#	\$1262	\$2479
SE7224C		24"	36	185#	\$1842	\$3541
SE7224E	<b>72"</b>	(18" inside)	Empty	85#	\$1238	\$2361
SE7233C	(70" inside)	33"	54	232#	\$2079	\$4251
SE7233E	2 columns of	(27" inside)	Empty	95#	\$1334	\$2479
SE7241C	11"W shelves	41"	66	282#	\$2278	\$4723
SE7241E	and 4 columns	(35" inside)	Empty	105#	\$1403	\$2892
SE7248C	of 12"W shelves	48"	84	331#	\$2538	\$5195
SE7248E		(42" inside)	Empty	115#	\$1440	\$2951

**Note:** All preconfigured models are standard with two columns of 11" wide shelves and the remaining columns with 12" wide shelves. You may receive extra shelves with preconfigured sorters.

**ELEVATED CLOSED-BACK SORTERS WITH A PLEXIGLAS BACK**

- All sorters are 15" deep with 14" deep sorting shelves. Adjust on 1/2"H increments.
- All sorters are complete with clear Plexiglas back panel.
- Sorting shelves have thumb cuts and labeling flanges on the front edge of each shelf.
- Preconfigured models, designated by the letter C are available, or build-your-own by specifying empty sorter designated by the letter E and adding components on pages 154 and 155.
- All sorters are available with locking Plexiglas doors, which is designated by the letter P.
- Plexiglas doors are factory installed. Standard with locks, keyed alike.
- Elevated sorters offer more workspace, by raising the sorter off the work area.
- Pricing below is for sorters with and without doors.



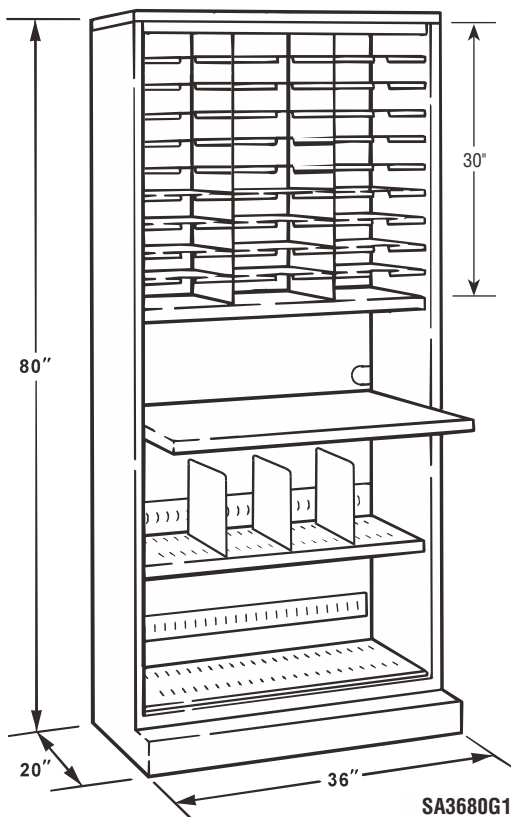
Model No.	Width	Height	Elevation	No. of 3" High Sorting Pockets	Wt.	List Price	List Price With Doors P Suffix
SE2433CL		33"	9"	12	64#	\$1179	\$1723
SE2433EL		(18" inside)		Empty	40#	\$1002	\$1344
SE2441CL	24"	41"	8"	18	86#	\$1262	\$2100
SE2441EL	(22" inside)	(27" inside)		Empty	50#	\$1062	\$1403
SE2441CH		41"	17"	12	74#	\$1193	\$1747
SE2441EH	2 columns of	(18" inside)		Empty	50#	\$1015	\$1344
SE2448CL	11"W shelves	48"	7"	22	110#	\$1381	\$2289
SE2448EL		(35" inside)		Empty	60#	\$1108	\$1570
SE2448CH		48"	15"	18	86#	\$1298	\$1983
SE2448EH		(27" inside)		Empty	60#	\$1074	\$1416
SE3633CL		33"	9"	18	84#	\$1381	\$2266
SE3633EL		(18" inside)		Empty	47#	\$1108	\$1652
SE3641CL	36"	41"	8"	27	109#	\$1534	\$2655
SE3641EL	(34" inside)	(27" inside)		Empty	55#	\$1179	\$1747
SE3641CH		41"	17"	18	91#	\$1416	\$2289
SE3641EH	2 columns of	(18" inside)		Empty	55#	\$1157	\$1652
SE3648CL	11"W shelves	48"	7"	33	132#	\$1652	\$3069
SE3648EL	and 1 column	(35" inside)		Empty	63#	\$1203	\$1900
SE3648CH	of 12"W shelves	48"	15"	27	112#	\$1547	\$2714
SE3648EH		(27" inside)		Empty	63#	\$1179	\$1771
SE4833CL		33"	9"	24	103#	\$1557	\$2775
SE4833EL		(18" inside)		Empty	55#	\$1179	\$1924
SE4841CL	48"	41"	8"	36	132#	\$1723	\$3247
SE4841EL	(46" inside)	(27" inside)		Empty	60#	\$1227	\$2124
SE4841CH		41"	17"	24	108#	\$1557	\$2786
SE4841EH	2 columns of	(18" inside)		Empty	60#	\$1193	\$1934
SE4848CL	11"W shelves	48"	7"	44	153#	\$1889	\$3849
SE4848EL	and 2 columns	(35" inside)		Empty	65#	\$1298	\$2302
SE4848CH	of 12"W shelves	48"	15"	36	137#	\$1735	\$3305
SE4848EH		(27" inside)		Empty	65#	\$1251	\$2124
SE6033CL		33"	9"	30	135#	\$1735	\$3187
SE6033EL		(18" inside)		Empty	75#	\$1251	\$2100
SE6041CL	60"	41"	8"	45	170#	\$1912	\$3719
SE6041EL	(58" inside)	(27" inside)		Empty	80#	\$1320	\$2255
SE6041CH		41"	17"	30	140#	\$1747	\$3187
SE6041EH	2 columns of	(18" inside)		Empty	80#	\$1262	\$2124
SE6048CL	11"W shelves	48"	7"	55	195#	\$2100	\$4356
SE6048EL	and 3 columns	(35" inside)		Empty	85#	\$1393	\$2597
SE6048CH	of 12"W shelves	48"	15"	45	175#	\$1934	\$3719
SE6048EH		(27" inside)		Empty	85#	\$1334	\$2361
SE7233CL		33"	9"	36	164#	\$1959	\$3660
SE7233EL		(18" inside)		Empty	92#	\$1381	\$2479
SE7241CL	72"	41"	8"	54	213#	\$2220	\$4368
SE7241EL	(70" inside)	(27" inside)		Empty	105#	\$1451	\$2620
SE7241CH		41"	17"	36	177#	\$1983	\$3742
SE7241EH	2 columns of	(18" inside)		Empty	105#	\$1403	\$2479
SE7248CL	11"W shelves	48"	7"	66	247#	\$2337	\$4604
SE7248EL	and 4 columns	(35" inside)		Empty	115#	\$1557	\$2834
SE7248CH	of 12"W shelves	48"	15"	54	223#	\$2230	\$4487
SE7248EH		(27" inside)		Empty	115#	\$1475	\$2714

**Note:** All preconfigured models are standard with two columns of 11" wide shelves and the remaining columns with 12" wide shelves. You may receive extra shelves with preconfigured sorters.

**Satellite Sorters**

Kwik-File Satellite Sorters are ideal for final sorting of mail in departments.

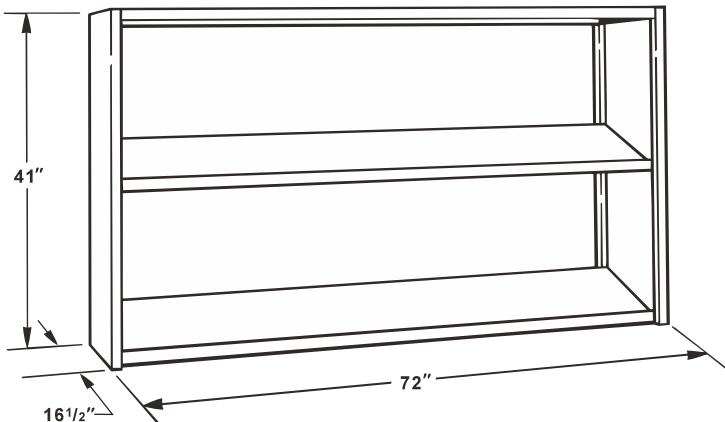
- 36"W models standard with 11" and 12"W pockets for mail sorting.
- 1" thick standard low-pressure laminate work surface is 27"D and adjusts within cabinet on 1/2"H increments. Add suffix LAM for high pressure laminate.
- All-welded steel cabinet construction.
- Steel back panel of cabinet has one 3" diameter cable management cutout.
- Shelves adjust on 1/2"H increments.



Model No.		Width	Height	Shelf Depth	No. of 3" High Sorting Pockets	Wt.	Low-Pressure Laminate List Price	Std. Laminate List Price
<b>SA3680G1</b>	2 columns of 11"W shelves and 1 column of 12"W shelves	36"	80"	15"	30	240#	\$2471	\$2546
<b>SA3680L1</b>	2 columns of 11"W shelves and 1 column of 12"W shelves	36"	80"	12"	30	222#	\$2361	\$2481
<b>SA3680E1</b>	of 12"W shelves			-	Empty	190#	\$1588	\$1709

**Tub Sorter**

The Kwik-File Tub Sorter is for bulk pre-sorting operations using USPS tubs. Capacity is 10 tubs (five tubs per shelf). Angled shelves make sorting easier. The front shelf edges are protected from tubs by vinyl strips, shelf tops by transparent sheet vinyl. All-welded steel construction; open back.

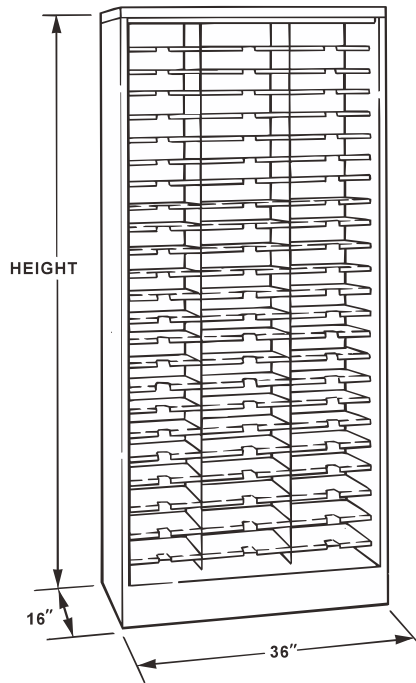


Model No.	Width	Height	Depth	Wt.	List Price
<b>SB7241</b>	72"	41"	16 1/2"	170#	\$1544

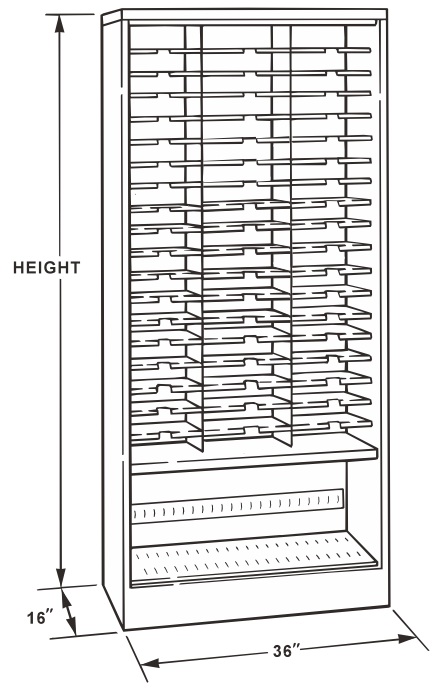
**Freestanding Sorters**

Use Kwik-File Freestanding Sorters where space is limited and work surface is not required.

- Preconfigured models come standard with 3"H pockets in either letter (12"D) or legal (15"D) depths. Adjust on 1/2"H increments.
- All-welded steel cabinet construction.
- For other Freestanding Sorter models, see F/S Cabinets on page 121.



SF3680B



SF3680D

Model No.	Width	Height	Shelf Depth	No. of 3" High Sorting Pockets	Wt.	List Price
SF3665BL1	36"	64 1/2"	12"	57	292#	\$2203
SF3665DL1	36"	64 1/2"	12"	45	273#	\$2112
SF3665BG1			15"	57	312#	\$2429
SF3665DG1	36"	80"	12"	45	288#	\$2305
SF3680BL1	36"	80"	12"	72	414#	\$2579
SF3680DL1			15"	57	397#	\$2439
SF3680BG1	36"	80"	12"	72	444#	\$2788
SF3680DG1			15"	57	422#	\$2606

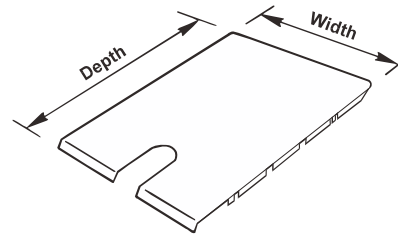
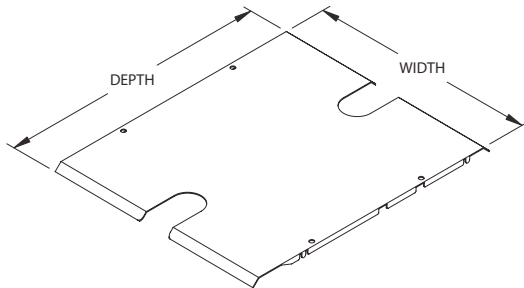


**Shelves**

The patented Kwik-Shelf™ shelving system is the key to the space-saving efficiency and improved productivity provided by Kwik-File sorters.

- All shelves lock in place and won't pull out when retrieving mail.
- Shelves can be removed for easy height adjustment on 1/2" increments.
- All shelves have centered thumb cut for quick one-handed retrieval of mail.
- Front edge of shelves has a 45° beveled labeling flange for easy reading of labels and allows mail from pocket below to pass under above shelf without hanging up.
- Heavy-duty, 18-gauge shelves hold up to 30 lbs. per pocket.

**Note:** Kwik-Shelf system not compatible with shelves shipped prior to October 1995. Call Customer Service for additional old-style shelves.



**Shelves for Open-Back Sorters**

(available in packages of 6, 12 or 18 shelves only)

**6-Shelf Package**

Model No.	Width	Depth	Wt. per shelf	List Price
<b>1114P06</b>	11"	14 1/2"	2.0#	\$106
<b>1214P06</b>	12"	14 1/2"	2.5#	\$109

**Shelves for Sorters with Doors**

**6-Shelf Package**

Model No.	Width	Depth	Wt. per shelf	List Price
<b>1114SDP06</b>	11"	14"	2.0#	\$152
<b>1214SDP06</b>	12"	14"	2.5#	\$164

**Shelves for Closed-Back Sorters (Steel and Plexi Back)**

**6-Shelf Package**

Model No.	Width	Depth	Wt. per shelf	List Price
<b>0412P06</b>	4"	12"	.5#	\$57
<b>0512P06</b>	5"	12"	.75#	\$61
<b>0515P06</b>	5"	15"	1.0#	\$65
<b>0612P06</b>	6"	12"	.75#	\$64
<b>0712P06</b>	7"	12"	1.0#	\$66
<b>0812P06</b>	8"	12"	1.5#	\$78
<b>0912P06</b>	9"	12"	1.5#	\$85
<b>0915P06</b>	9"	15"	2.0#	\$100
<b>1012P06</b>	10"	12"	1.75#	\$90
<b>1015P06</b>	10"	15"	2.0#	\$105
<b>1112P06</b>	11"	12"	2.0#	\$95
<b>1115P06</b>	11"	15"	2.25#	\$106
<b>1212P06</b>	12"	12"	2.0#	\$97
<b>1215P06</b>	12"	15"	2.5#	\$109
<b>1412P06</b>	14"	12"	2.3#	\$131
<b>1415P06</b>	14"	15"	2.75#	\$145
<b>1515P06</b>	15"	15"	2.9#	\$159
<b>1612P06</b>	16"	12"	2.8#	\$152
<b>1615P06</b>	16"	15"	3.0#	\$171

**To design your own sorter configuration**

(different from preconfigured models listed in pgs. 144-151)

1. Assess the volume and size of your mail. Then determine the size and number of pockets you'll need, considering each pocket's height, shelf width and shelf depth.

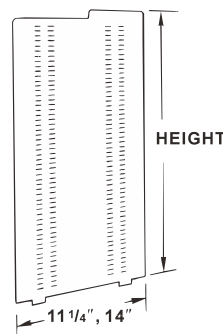
2. Select an empty sorter from pgs. 144-151 and configure it with the shelves sized from step 1. Try to use (but not exceed) the full interior space of each sorter. Specify shelf supports (one less than the number of columns of shelves) and shelves as shown on this page.

3. If you need assistance, call Customer Service.



**Shelf Supports**

Shelf Supports divide a sorter into columns, and support the shelves within each column. Shelf supports are adjustable in 1" horizontal increments to fit various shelf widths. Each support is slotted at 1/2" vertical increments for shelf adjustment. Shelf support models are based on sorter type, height, and shelf depth. When ordering, remember that the two end shelf supports are included with each sorter.



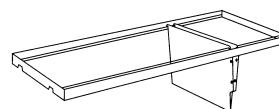
**Shelf Supports**

(available in packages of 1, 2, 3, 4, or 5 units only)

Sorter Type	Ht.	For Shelf Depth of	Wt. per shelf	1-Unit Package		2-Unit Package		3-Unit Package		4-Unit Package		5-Unit Package	
				Model No.	List Price	Model No.	List Price	Model No.	List Price	Model No.	List Price	Model No.	List Price
Closed-Back	21"	12"	5.4#	SS24LM01	\$34	SS24LM02	\$65	SS24LM03	\$99	SS24LM04	\$133	SS24LM05	\$165
		15"	8.4#	SS24GM01	\$41	SS24GM02	\$81	SS24GM03	\$123	SS24GM04	\$164	SS24GM05	\$203
	30"	12"	8.0#	SS33LM01	\$39	SS33LM02	\$79	SS33LM03	\$118	SS33LM04	\$158	SS33LM05	\$196
		15"	10.5#	SS33GM01	\$48	SS33GM02	\$95	SS33GM03	\$139	SS33GM04	\$190	SS33GM05	\$235
	38"	12"	9.5#	SS41LM01	\$48	SS41LM02	\$95	SS41LM03	\$139	SS41LM04	\$190	SS41LM05	\$235
		15"	12.6#	SS41GM01	\$56	SS41GM02	\$111	SS41GM03	\$165	SS41GM04	\$219	SS41GM05	\$274
45"	12"	11.0#	SS48LM01	\$56	SS48LM02	\$111	SS48LM03	\$165	SS48LM04	\$219	SS48LM05	\$274	
	15"	14.8#	SS48GM01	\$64	SS48GM02	\$127	SS48GM03	\$190	SS48GM04	\$250	SS48GM05	\$314	
Open-Back &	21"	14 1/2"	8.0#	SS24N01	\$41	SS24N02	\$81	SS24N03	\$123	SS24N04	\$164	SS24N05	\$203
	30"	14 1/2"	10.0#	SS33N01	\$48	SS33N02	\$95	SS33N03	\$139	SS33N04	\$190	SS33N05	\$235
Plexi-Back	38"	14 1/2"	12.0#	SS41N01	\$56	SS41N02	\$111	SS41N03	\$165	SS41N04	\$219	SS41N05	\$274
	45"	14 1/2"	14.0#	SS48N01	\$65	SS48N02	\$130	SS48N03	\$190	SS48N04	\$258	SS48N05	\$322

**Rails**

Used to support Suspended Pockets. Ideal for branch mail or other areas where space and/or cost are critical issues, and sorting and retrieval speed are less important. Adjust vertically on 1/2" increments. Combine Rails (with appropriate shelf support as required) for use in 48"W, 60"W, or 72"W sorters; not available for 24"W sorters. Graphite only.

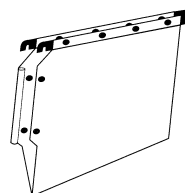


Model No.	Height*	Width	Depth	Wt.	List Price
AR12	1"	11 1/2"	14 3/4"	3#	\$79
AR24	1"	23 1/2"	14 3/4"	4#	\$83
AR48	1"	47 1/2"	14 3/4"	5#	\$101

\* Allow 11" for rail with suspended pockets.

**Suspended Pockets**

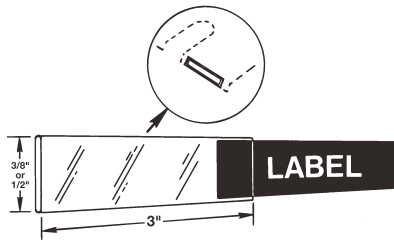
V-bottom expandable Suspended Pockets hang from Rails (above). Set of 25 includes labels (4 1/2" x 1/4"). Snap-together feature simplifies sorting and retrieval.



Model No.	Height	Width	Depth	Wt.	List Price
MSPV	10 13/16"	3/8"	13"	7#	\$125

**Label Holders**

Transparent, self-adhesive Label Holders fit securely on beveled shelf front. A blank, white insert with four sides is included. Package of 20. Choose from self-adhesive or magnetic models.



Model No.	Type	Width	Height	Wt.	List Price
* 90145	Adhesive	3"	3/8"	1 oz.	\$20
* 911785	Magnetic	3"	1/2"	3 oz.	\$34

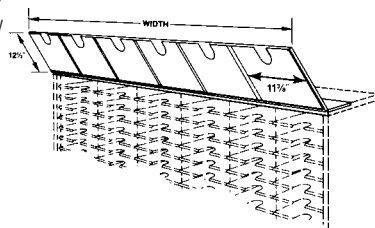
**Colored Labels**

Set of label inserts in six colors (white, orange, blue, yellow, pink and green), in microperforated, 8 1/2" x 11" sheets. 14 four-sided blank label inserts per color, 84 per set. Fit in label holders (above). Use with PC and ink jet or laser printer.

Model No.	Type	Width (Ea. Label)	Height (Ea. Label)	Wt.	List Price
90155	Adhesive	3"	3/8"	1 oz.	\$4
911885	Magnetic	3"	1/2"	1 oz.	\$4

**Display Boards**

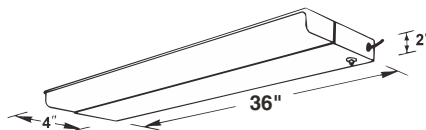
Use overhead Display Boards to post sorting instructions, etc.; they're easy to read, yet out of the way. Letter-sized sheets fit between steel frame and protective Plexiglas® cover. Mount to top of the sorter, hardware provided. Add 11 1/4" to the height of any sorter. Field-installed.



Model No.	Width	No. of Columns	Wt.	List Price
ADB3	36"	3	11#	\$271
ADB4	48"	4	14#	\$335
ADB5	60"	5	18#	\$411
ADB6	72"	6	22#	\$432

**Task Lights**

Task Lights illuminate worksurfaces under elevated sorters or flipper door units. Standard with 10' cord and wire management clip. White frame. UL-listed. Field-installed.

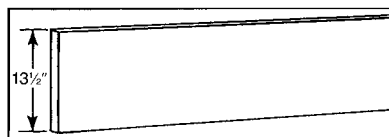


Model No.	Width	Wt.	List Price
2504K	24"	4#	\$145
3704K	36"	8#	\$172
4904K	48"	10#	\$203

\*48" light for use with 60" or 72" units only

**Tackboards**

Tackboards are field-installed on the back panel of 15"-17" high elevated sorters, and flipper door units in the supervisor's workstation. For displaying notices, etc., and to improve acoustics. Gray mix fabric. All 13 1/2" H.



Model No.	Width	Wt.	List Price
ATB3FK	34"	6#	\$256
ATB4FK	46"	9#	\$308
ATB5FK	58"	12#	\$359
ATB6FK	70"	15#	\$390

Built to support heavily loaded sorters or machines, Kwik-File Mailflow System tables are available in several styles and sizes.

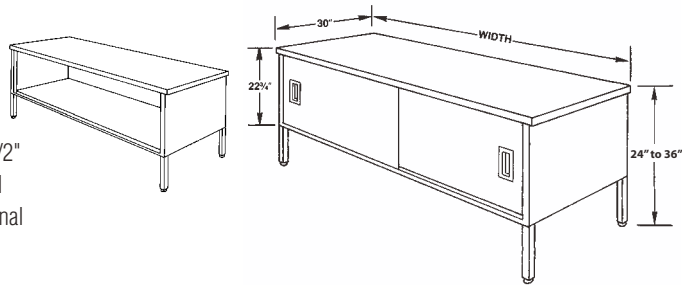
- Table frames are of all-welded 18-gauge steel construction with an under-top reinforcement of 12-gauge steel.
- Work surfaces are of 1" thick thermally fused low-pressure laminate with medium density wood cores as standard. Add suffix LAM for high pressure laminate.
- Tops have radiused 3mm PVC edging guaranteed not to chip, crack, or peel.
- Top overhangs frame by 1" front and back and 1/8" on the sides.
- Optional front bullnose edge and grommet available.
- Back panels on all tables and consoles come with 3 standard knockouts for wire management.

**Note:** Leg specifications are not applicable to the electric table.

See pages 162-163 for Table Accessories.

**Storage Tables**

Storage Tables provide a large storage space ( 28" deep by 19" high) for immediate access to needed supplies such as bags, cartons, envelopes, etc. Available with doors to hide the clutter and a lock if security is required. 1 1/2" square, 16-gauge chrome legs adjust from 24" to 36" on 1" increments. Call Customer Service for other height ranges. For a stylish front edge or additional wire management capabilities, please see below.



Model No.	Width	Cubic Feet Storage	Doors	Shelf	Wt./Cartons	Low-Pressure Laminate List Price	Std. Laminate List Price
							LAM Suffix
TS36D	36	10.5	Yes	No	146#/1	\$1403	\$1572
TS36L			Yes w/lock	No	146#/1	\$1440	\$1608
TS36N			No	No	129#/1	\$1133	\$1301
TS36DS			Yes	Yes	156#/1	\$1645	\$1814
TS36LS			Yes w/lock	Yes	156#/1	\$1681	\$1849
TS36NS			No	Yes	139#/1	\$1374	\$1542
TS48D	48	13.5	Yes	No	172#/1	\$1565	\$1736
TS48L			Yes w/lock	No	172#/1	\$1612	\$1783
TS48N			No	No	155#/1	\$1254	\$1422
TS48DS			Yes	Yes	182#/1	\$1807	\$1978
TS48LS			Yes w/lock	Yes	182#/1	\$1854	\$2025
TS48NS			No	Yes	165#/1	\$1496	\$1664
TS60D	60	16.5	Yes	No	198#/1	\$1748	\$1936
TS60L			Yes w/lock	No	198#/1	\$1798	\$1980
TS60N			No	No	180#/1	\$1412	\$1598
TS60DS			Yes	Yes	208#/1	\$1989	\$2177
TS60LS			Yes w/lock	Yes	208#/1	\$2039	\$2222
TS60NS			No	Yes	190#/1	\$1653	\$1840
TS72D	72	20	Yes	No	250#/1	\$1932	\$2142
TS72L			Yes w/lock	No	250#/1	\$1982	\$2190
TS72N			No	No	230#/1	\$1578	\$1787
TS72DS			Yes	Yes	260#/1	\$2174	\$2384
TS72LS			Yes w/lock	Yes	260#/1	\$2224	\$2431
TS72NS			No	Yes	240#/1	\$1819	\$2029

**Bullnose Edge**

For a stylish front finish on Mailflow System's tables select the bullnose option. (Black **only**)

Model No. Suffix	Description	List Price
B	Rounded front edge	\$69

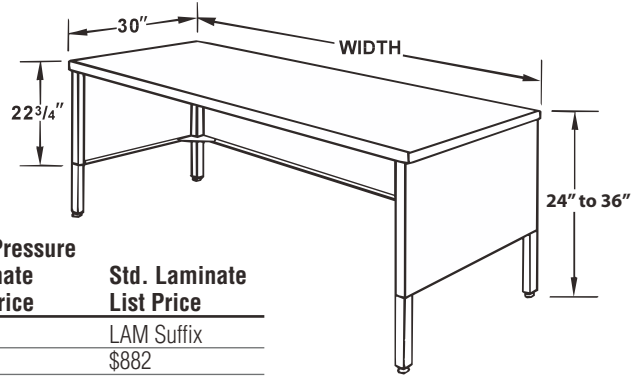
**Grommet**

For additional wire management select a grommet. Grommets are located towards the rear and positioned in the center of the table.

Model No. Suffix	Description	List Price
G	Multi use grommet	\$25

**Work Tables**

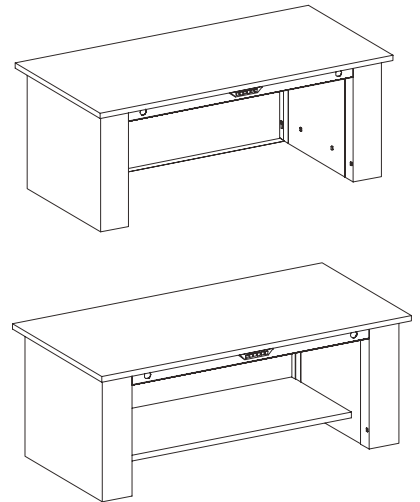
Work Tables are functional yet economical. They support sorters or machines and are enclosed on three sides, making them convenient for storing carts or other large objects on the floor. (To convert TW30 for scale platform, add Short Leg Kit—see pg. 163) For a stylish front edge or additional wire management capabilities, please see below.



Model No.	Width	Wt.	Low-Pressure Laminate List Price	Std. Laminate List Price	LAM Suffix
TW30	30"	66#	\$792	\$882	
TW36	36"	76#	\$908	\$1076	
TW48	48"	94#	\$967	\$1136	
* TW60	60"	122#	\$1123	\$1310	
* TW72	72"	150#	\$1276	\$1483	

**Electric Height Adjustable Table**

**Drive System:** 115v, 60 Hz, AC control box, no belts, pulleys or hydraulics. 2.7 amps under full load.  
**Travel Range:** 12" of vertical adjustment from 24" to 36".  
**Control Switch:** Standard with 3-position memory settings.  
**Lifting Capacity:** Tables will support up to 1,000lbs., evenly distributed.



Model No.	Width	Wt.	Low-Pressure Laminate List Price	Std. Laminate List Price	LAM Suffix
TE36	36"	161#	\$2539	\$2859	
TE48	48"	186#	\$2562	\$2887	
TE60	60"	211#	\$2617	\$2963	
TE72	72"	236#	\$2662	\$3030	
TE36S	36"	174#	\$2628	\$2953	
TE48S	48"	199#	\$2673	\$3005	
TE60S	60"	224#	\$2739	\$3092	
TE72S	72"	249#	\$2784	\$3160	

**Bullnose Edge**

For a stylish front finish on Mailflow System's tables select the bullnose option. (Black **only**)

Model No. Suffix	Description	List Price
B	Rounded front edge	\$69

**Grommet**

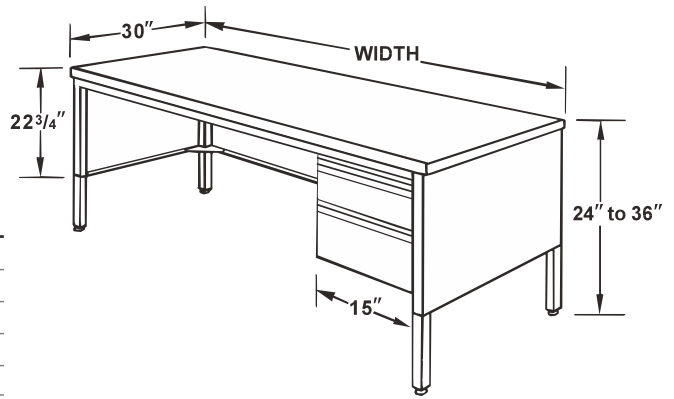
For additional wire management select a grommet. Grommets are located towards the rear and positioned in the center of the table.

Model No. Suffix	Description	List Price
G	Multi use grommet	\$25

**STORAGE TABLES**

**Pedestal Tables**

For Supervisor's Workstation, or for filing or storage at any workstation. Suspended pedestal, with one box and one file drawer, lock included. Field installed; can be mounted on either left or right side, or on both sides. Pedestal measures 15 1/4"W x 21 3/4"D x 19 3/8"H.

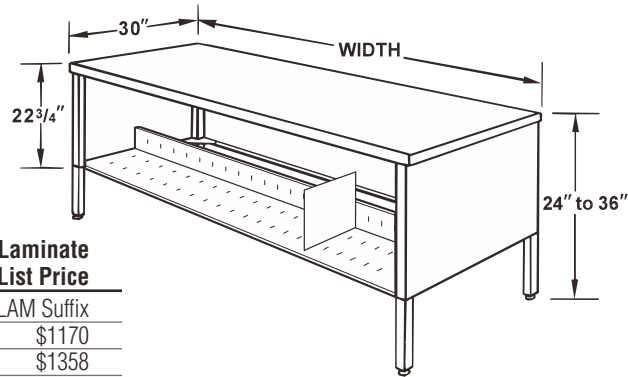


Model No.	Width	Wt.	Low-Pressure Laminate List Price	Std. Laminate List Price
				LAM Suffix
TP48	48"	138#	\$1565	\$1736
TP60	60"	166#	\$1719	\$1907
TP72	72"	194#	\$2178	\$2385
APED1	Pedestal only	48#	\$634	—

**Courier Tables**

The Courier Table is a Work Table with the addition of a shelf with optional dividers (adjustable on 1" horizontal increments) to separate large flats, express envelopes, etc.

Shelf is 14 1/8" deep, placed close to the front of the table (with open space behind it).

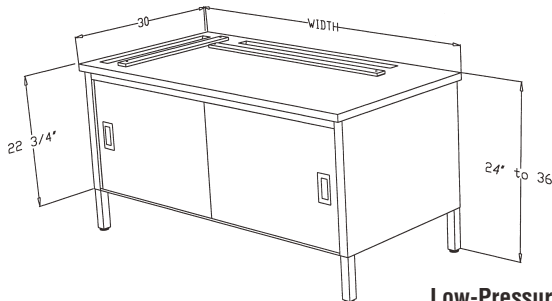


Model No.	Width	Wt.	Low-Pressure Laminate List Price	Std. Laminate List Price
				LAM Suffix
TCMF36	36"	84#	\$1002	\$1170
TCMF48	48"	112#	\$1182	\$1358
TCMF60	60"	140#	\$1351	\$1542
TCMF72	72"	168#	\$1516	\$1730
D09GS03	Divider, pkg. of 3	6.9#	\$43	—
D09GS10	Divider, pkg. of 10	23#	\$142	—

**TABLE AND CONSOLE ACCESSORIES**

**Wrapping Tables**

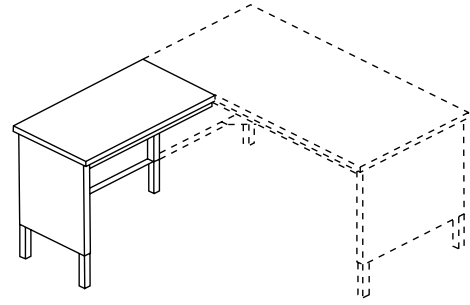
Wrapping Tables are specially designed to accommodate either 24" or 36" paper rolls below the table top work surface. This keeps the entire top area clear for the wrapping and handling of packages. Tables for 24" paper rolls have a left side slot; tables for 36" paper rolls offer a rear slot. There is extra storage room for supplies inside all models.



Model No.	Width	Paper Size	Doors	Wt.	Low-Pressure Laminate List Price	Std. Laminate List Price
						LAM Suffix
TR60DS	60"	24" Wide	Yes	198#	\$2193	\$2384
TR60LS		(side slot)	Yes w/ lock	198#	\$2241	\$2484
TR60NS		No	180#	\$1870	\$2013	
TR60DR		36" Wide	Yes	198#	\$2241	\$2434
TR60LR		(rear slot)	Yes w/ lock	198#	\$2294	\$2484
TR60NR		No	180#	\$1921	\$2112	
TR72DS	72"	24" Wide	Yes	250#	\$2379	\$2593
TR72LS		(side slot)	Yes w/ lock	250#	\$2429	\$2642
TR72NS		No	230#	\$2027	\$2238	
TR72DR		36" Wide	Yes	250#	\$2430	\$2643
TR72LR		(rear slot)	Yes w/ lock	250#	\$2479	\$2686
TR72NR		No	230#	\$2080	\$2289	

**Desk Return**

Makes L-shaped worksurface on left or right side of Work Table, at same height (24"-36"H), or lower for machine use (23"-29"H). 36"W x 20"D. Assembly required.



Model No.	Width	Wt.	Low-Pressure Laminate List Price	Std. Laminate List Price	LAM Suffix
TDRH	29"-36"	54#	\$741	\$806	
TDRL	22"-29"	52#	\$741	\$806	

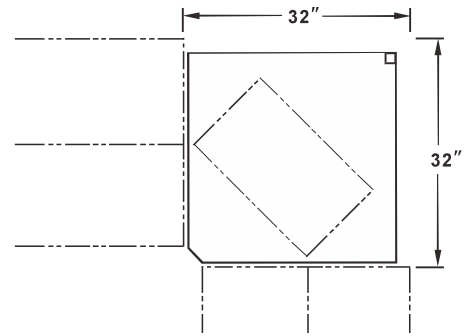
**Corner Platform**

Supports 24"-wide sorter in a corner when used in L-shaped or U-shaped sorter layouts against a wall. The 32" square footprint provides better clearance at the sides of the sorter for more efficient sorting and retrieval. The TCNR Corner Platform is less expensive than the 30" x 30" TW30 Work Table, but installation is more complex.

The Corner Platform is supported by one leg in the rear corner, and by brackets attached to the tables on both sides. A filler panel is included (fills base-to-top gap in front between adjacent tables). Field installed.

Adjustable 1" increments, 24"- 36" H

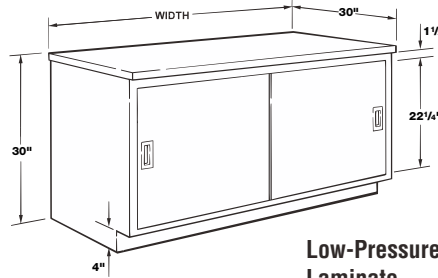
When sorters will be in the open, or visible from the rear; or if the corner configuration will be used for a worksurface only, and not to support a sorter, we recommend specifying the TW30 Work Table instead.



Model No.	Width	Wt.	Low-Pressure Laminate List Price	Std. Laminate List Price	LAM Suffix
TCNR	30" x 30" (fits in 32" x 32" space)	40#	\$545	\$728	

Consoles are built to support heavily loaded sorters or machines, Kwik-File Mailflow Systems Consoles are available in several styles and sizes. Each console has full-height end panels with a 4" recessed toe space for a clean built-in look.

- Tops are flush on the ends with 1" overhang front and back. When placed side-by-side they give the appearance of built-in counters.
- Table frames are of all-welded, 18-gauge steel construction with an under-top reinforcement of 12-gauge steel.
- Work surfaces are standard 1" thick thermally fused low-pressure laminate with medium density wood cores. Add suffix LAM for high pressure laminates.
- Tops have radiused 3mm PVC edging guaranteed not to chip, crack, or peel.
- Available in both 30" and 36" heights.
- Optional bullnose front edge offers a stylish appearance.
- Optional grommet for wire management.
- Back panels have 3 standard knock-outs for wire management.



**Storage Consoles**

Model No.	Width	Height	Doors	Shelf	Wt.	Low-Pressure Laminate List Price	Std. Laminate List Price
<b>CL36D</b>	36	30	Yes	No	141	\$1487	\$1654
<b>CL36L</b>			Yes w/lock	No	141	\$1534	\$1702
<b>CL36N</b>			No	No	126	\$1179	\$1346
<b>CL36DS</b>	36	30	Yes	Yes	151	\$1729	\$1896
<b>CL36LS</b>			Yes w/lock	Yes	151	\$1776	\$1944
<b>CL36NS</b>			No	Yes	136	\$1421	\$1588
<b>CH36D</b>	36	30	Yes	No	156	\$1606	\$1773
<b>CH36L</b>			Yes w/lock	No	156	\$1652	\$1819
<b>CH36N</b>			No	No	142	\$1298	\$1466
<b>CH36DS</b>	36	30	Yes	Yes	166	\$1847	\$2014
<b>CH36LS</b>			Yes w/lock	Yes	166	\$1894	\$2061
<b>CH36NS</b>			No	Yes	152	\$1539	\$1707
<b>CL48D</b>	48	30	Yes	No	172	\$1743	\$1914
<b>CL48L</b>			Yes w/lock	No	172	\$1790	\$1925
<b>CL48N</b>			No	No	155	\$1363	\$1536
<b>CL48DS</b>	48	30	Yes	Yes	182	\$1984	\$2155
<b>CL48LS</b>			Yes w/lock	Yes	182	\$2032	\$2167
<b>CL48NS</b>			No	Yes	165	\$1605	\$1789
<b>CH48D</b>	48	30	Yes	No	188	\$1944	\$2113
<b>CH48L</b>			Yes w/lock	No	188	\$1990	\$2162
<b>CH48N</b>			No	No	171	\$1563	\$1737
<b>CH48DS</b>	48	30	Yes	Yes	198	\$2185	\$2355
<b>CH48LS</b>			Yes w/lock	Yes	198	\$2232	\$2403
<b>CH48NS</b>			No	Yes	181	\$1805	\$1979
<b>CL60D</b>	60	30	Yes	No	203	\$1804	\$1992
<b>CL60L</b>			Yes w/lock	No	203	\$1853	\$2039
<b>CL60N</b>			No	No	184	\$1443	\$1635
<b>CL60DS</b>	60	30	Yes	Yes	213	\$2045	\$2233
<b>CL60LS</b>			Yes w/lock	Yes	213	\$2094	\$2281
<b>CL60NS</b>			No	Yes	194	\$1684	\$1876
<b>CH60D</b>	60	30	Yes	No	220	\$1980	\$2166
<b>CH60L</b>			Yes w/lock	No	220	\$2029	\$2218
<b>CH60N</b>			No	No	201	\$1639	\$1827
<b>CH60DS</b>	60	30	Yes	Yes	230	\$2222	\$2407
<b>CH60LS</b>			Yes w/lock	Yes	230	\$2271	\$2459
<b>CH60NS</b>			No	Yes	211	\$1881	\$2068
<b>CL72D</b>	72	30	Yes	No	234	\$2002	\$2210
<b>CL72L</b>			Yes w/lock	No	234	\$2050	\$2258
<b>CL72N</b>			No	No	213	\$1614	\$1823
<b>CL72DS</b>	72	30	Yes	Yes	244	\$2244	\$2452
<b>CL72LS</b>			Yes w/lock	Yes	244	\$2291	\$2500
<b>CL72NS</b>			No	Yes	223	\$1856	\$2065
<b>CH72D</b>	72	30	Yes	No	253	\$2212	\$2419
<b>CH72L</b>			Yes w/lock	No	253	\$2261	\$2469
<b>CH72N</b>			No	No	232	\$1830	\$2038
<b>CH72DS</b>	72	30	Yes	Yes	263	\$2454	\$2662
<b>CH72LS</b>			Yes w/lock	Yes	263	\$2503	\$2710
<b>CH72NS</b>			No	Yes	242	\$2071	\$2280

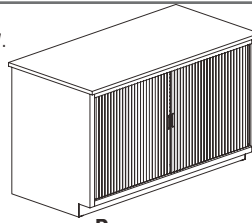


**TAMBOUR DOOR STORAGE CONSOLE**



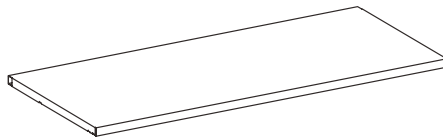
Wayline Customer Service: 1-800-822-8037

- Standard door colors: Mist, Graphite, Pebble Gray and Sand **only**.
- Note:** All internal components are Graphite.



Model No.	Width	Height	Depth	Doors	Wt.	Low-Pressure Laminate List Price	Std. Laminate List Price
							LAM Suffix
CL36T	36"	30"	30"	Yes w/ lock	141#	\$1838	\$1996
CH36T	36"	36"	30"	Yes w/ lock	156#	\$1949	\$2107
CL48T	48"	30"	30"	Yes w/ lock	172#	\$2080	\$2239
CH48T	48"	36"	30"	Yes w/ lock	188#	\$2268	\$2429
CL60T	60"	30"	30"	Yes w/ lock	203#	\$2138	\$2313
CH60T	60"	36"	30"	Yes w/ lock	220#	\$2304	\$2480
CL72T	72"	30"	30"	Yes w/ lock	234#	\$2322	\$2518
CH72T	72"	36"	30"	Yes w/ lock	253#	\$2462	\$2658

**ADJUSTABLE SHELF**



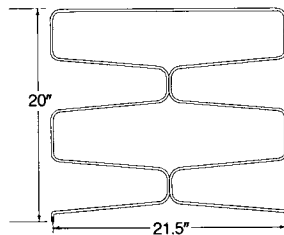
Model No.	Width	Wt.	List Price
CTS36	31"	10#	\$124
CTS48	43"	15#	\$137
CTS60	55"	20#	\$148
CTS72	67"	25#	\$161

**Note:** Shelf is available in Graphite and can only be used with Tambour Door Storage Console.

**CONSOLE ACCESSORIES**

**Wire Divider**

For both storage tables and consoles to separate large flats, express envelopes, etc. 1/4" diameter zinc-plated steel. Set of 4. Field installed.

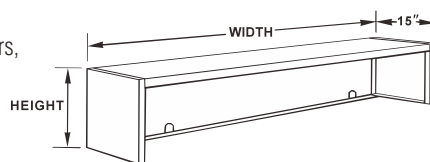


Model No. Suffix	Description	Wt.	List Price
WD	Wire Dividers (4)	5#	\$135

**Note:** Add WD\* suffix to Storage Table or Console model number (i.e. CL48DWD)

**Accessory Platforms**

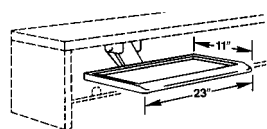
Use on tables to put PC monitors, printers, etc. at good viewing height; keep work surface open for machines, etc. 15" deep; full-length paper feed slot. All-welded steel construction.



Model No.	Height	Width	Wt.	List Price
AP3017		30"	28#	\$461
AP3617		36"	35#	\$472
AP4817	17 1/4"	48"	43#	\$513
AP6017	(16" inside)	60"	46#	\$562
AP7217		72"	55#	\$625
AP3024		30"	36#	\$483
AP3624		36"	45#	\$499
AP4824	24"	48"	55#	\$563
AP6024	(22 3/4" inside)	60"	59#	\$615
AP7224		72"	70#	\$690

**Retractable Keyboard Tray**

Provide a base for keyboards on PC-based manifest shipping systems, etc. Mount under the top of accessory platforms. Tray height adjusts through a full 5 1/4" vertical arc and swivels left and right. No tilt. Field-installed. Black color **only**.



Model No.	Wt.	List Price
AKEYB	11#	\$411

**Bullnose Edge**

For a stylish front finish on Mailflow System's tables select the bullnose option. (Black **only**)

Model No. Suffix	Description	List Price
B	Rounded front edge	\$69

**Grommet**

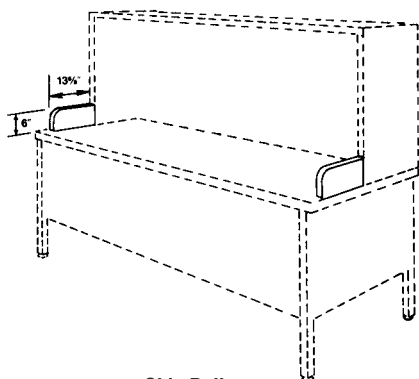
For additional wire management select a grommet. Grommets are located towards the rear and positioned in the center of the table.

Model No. Suffix	Description	List Price
G	Multi use grommet	\$25

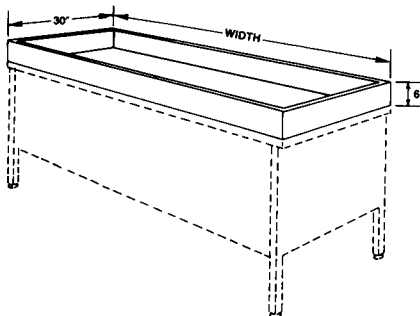
**Dump Rails**

For mail collection. The three-sided version provides easier access; the four-sided version is used for high-volume applications. 6" high by 3/4" thick with complementary-colored T-molding. Field-installed.

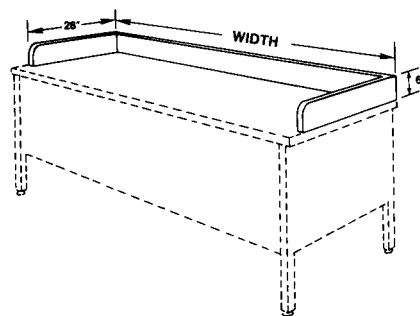
Model No.	Style	Width	Wt.	Low-Pressure Laminate List Price	Std. Laminate List Price
					LAM Suffix
<b>ADR33</b>		36"	19#	\$244	\$308
<b>ADR34</b>		48"	22#	\$271	\$329
<b>ADR35</b>	3-sided	60"	25#	\$294	\$339
<b>ADR36</b>		72"	27#	\$316	\$359
<b>ADR43</b>		36"	30#	\$289	\$401
<b>ADR44</b>		48"	33#	\$316	\$411
<b>ADR45</b>	4-sided	60"	38#	\$339	\$421
<b>ADR46</b>		72"	43#	\$362	\$432
<b>ADR2</b>	Side Rails for elev. sorter	—	5#	\$180	\$221



Side Rails



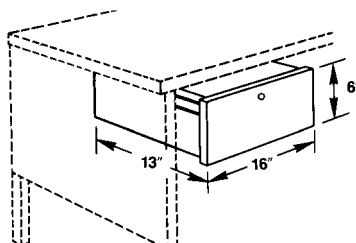
4-Sided Rails



3-Sided Rails

**Utility Drawer**

To provide secured storage (lock standard) for meter heads, stamps, etc. Mounts to any table without doors. Field-installed.



Model No.	Wt.	List Price
<b>ADRW2K</b>	18#	\$338

**Pencil Drawer**

Store pencils, other small objects. Mounts to any table without doors; field installed.

Model No.	Width	Height	Depth	Wt.	List Price
<b>1211</b>	12 1/4"	2 1/2"	12 1/4"	7#	\$339

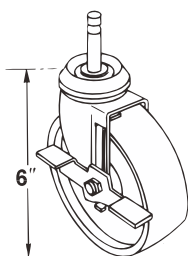
**Short Leg Kit**

Provides 24"-29" adjustable table height; converts TW30 or other Work Tables to a platform for supporting scales, other equipment, to achieve correct working height. Replaces standard table legs.

Add "SL" suffix to table model no. (i.e. TW30SL). No additional charge.

**Table Casters**

Heavy-duty wheels with braking action; add mobility to any Kwik-File table (except Electric Height Adjustable Tables). Weight rating 500 lbs. per set of four. Field-installed.



Model No.	Description	Wt.	List Price
<b>ACASTK</b>	Set of 4 Casters	6.5#	\$264

Every mailroom or shipping area needs specialized workstations for supporting meter machines, printers and other equipment, as well as providing a place for supervisory personnel. Kwik-File offers a wide range of

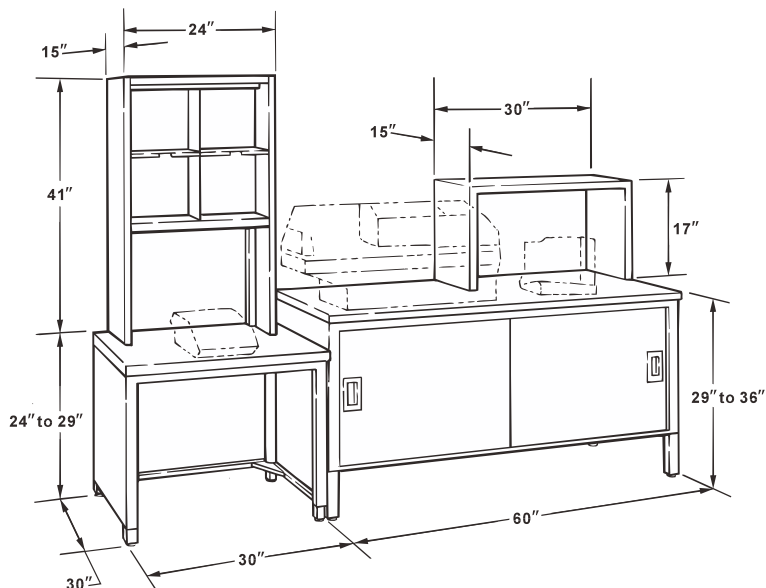
tables, accessory platforms, flipper door units, etc. which may be combined to accommodate a variety of specialized needs.

**Meter Machine Workstation**

The Meter Machine Workstation shown below combines several Mailflow Systems models to support a scale and meter machine in a typical configuration. See specifications for tables (pgs. 157-159), short leg kit (pg. 163), sorters (pgs. 144-151) accessory platforms (pg. 162); then specify the meter machine workstation configuration that best suits your needs. Call Customer Service for assistance.

This Meter Machine Workstation, as shown at right, is priced at \$3809, and includes:

Model No.	Description	List Price
<b>TW30SL</b>	Work Table with Short Leg Kit,	\$759
<b>SC2441EH</b>	Elevated Sorter (17" elevation)	\$826
<b>SS24LM01</b>	Shelf Support	\$34
<b>1112P06</b>	Shelf (2)	\$95
<b>TS60D</b>	Storage Table with doors	\$1748
<b>AP3017</b>	Accessory Platform	\$461



See specifications and prices for individual models.

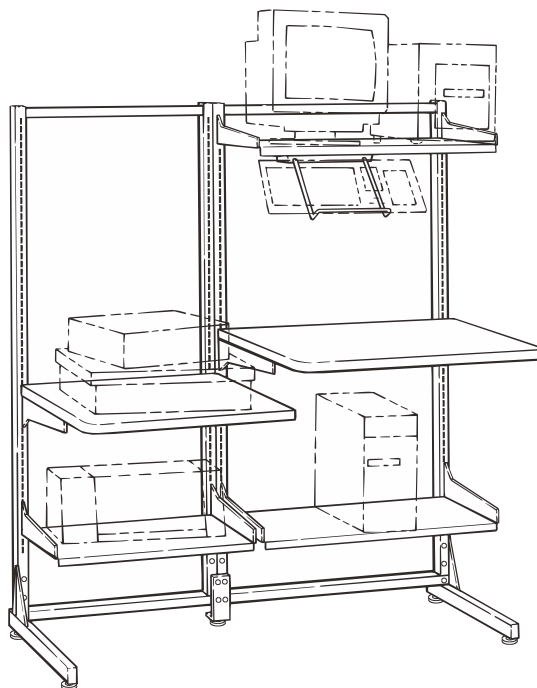
**SHIPPING WORKSTATIONS**

**Shipping Workstation**

Modular, frame-based system for shipping environments.

- Preconfigured SW1 station will support a scale, PC, keyboard, label printer and report printer.
- All components adjust on frames in 1"H increments.
- No tools required for adjustment of components.
- **Standard finishes:** Mist or Sand paint w/ Birch low-pressure laminate work surface

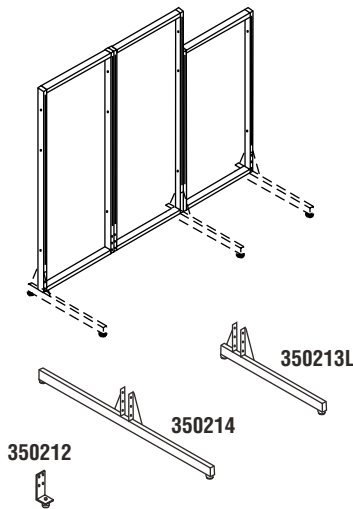
Model No.	Description	List Price
<b>SW1</b>	Shipping Workstation includes the following:	\$2454
<b>3203060</b>	Frame, 30"W x 60"H	\$403
<b>3202460</b>	Frame, 24"W x 60"H	\$394
<b>350213R</b>	Leg, single right	\$195
<b>350213L</b>	Leg, single left	\$195
<b>350212</b>	Foot, center support	\$60
<b>3403030</b>	Worksurface, 30"W x 30"D	\$380
<b>3402430</b>	Worksurface, 24"W x 30"D	\$337
<b>3303016</b>	Horizontal mounting shelf (2)	\$168
<b>3302416</b>	Horizontal mounting shelf	\$140
<b>350100</b>	Wire keyboard holder, single	\$100



**SW1 Shipping Workstation**

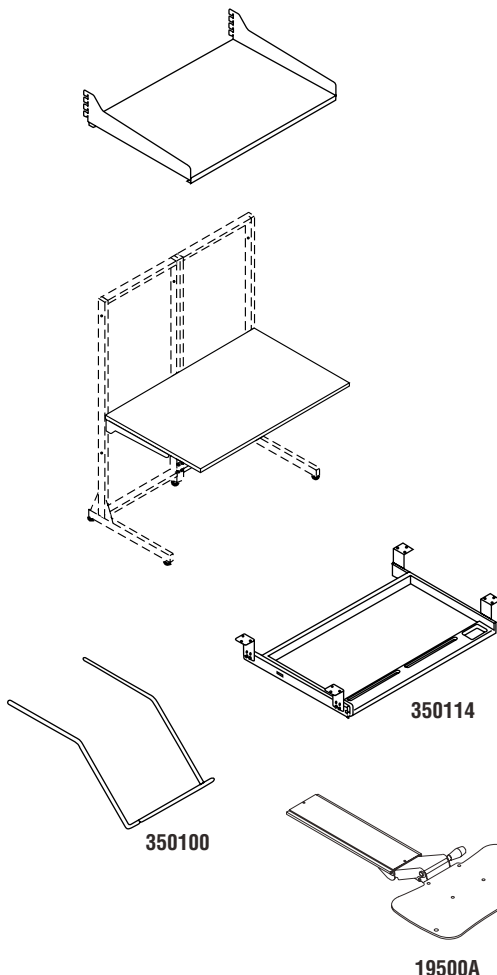
Build-your-own shipping system with individual frames, shelves, work surfaces and accessories.

- Frames are heavy-duty 11-gauge welded tubular steel.
- Frames are slotted on 1" vertical increments allowing components to connect without tools.
- Frames can be bolted together as your needs expand. 800 lbs. maximum load per frame.
- Shelves are 14-gauge steel with welded attachment brackets.
- Work surfaces are of 1" thick thermally-fused low-pressure laminate with medium density wood cores.
- **Standard finishes:** Mist or Sand paint w/ Birch low-pressure laminate work surface



Model No.	Description	Wt.	List Price
Steel Frames			
3202460	24"W x 60"H	36#	\$394
3202472	24"W x 72"H	40#	\$422
3202484	24"W x 84"H	44#	\$462
3203060	30"W x 60"H	39#	\$403
3203072	30"W x 72"H	43#	\$429
3203084	30"W x 84"H	48#	\$473
3203660	36"W x 60"H	40#	\$418
3203672	36"W x 72"H	47#	\$438
3203684	36"W x 84"H	48#	\$480
Leg Options			
350212	Foot, center support	2#	\$60
350213R	Leg, single right	13#	\$195
350213L	Leg, single left	13#	\$195
350214	Leg, double-sided (universal)	11#	\$244
350215	Casters for frame (pair; 1 locks)	4#	\$100

SHIPPING WORKSTATIONS



Model No.	Description	Wt.	List Price
Horizontal Mounting Shelf, steel (includes mounting brackets)			
3302416	Shelf, 24"W x 16"D	16#	\$140
3303016	Shelf, 30"W x 16"D	19#	\$168
3303616	Shelf, 36"W x 16"D	20#	\$218
3304816	Shelf, 48"W x 16"D	27#	\$315
3305416	Shelf, 54"W x 16"D	24#	\$334
3306016	Shelf, 60"W x 16"D	32#	\$354
Desk Worksurface (includes mounting brackets)			
3402430	Worksurface, 24"W x 30"D	24#	\$337
3403030	Worksurface, 30"W x 30"D	30#	\$380
3403630	Worksurface, 36"W x 30"D	34#	\$422
3404830	Worksurface, 48"W x 30"D	45#	\$504
3406030	Worksurface, 60"W x 30"D	56#	\$657
3407230	Worksurface, 72"W x 30"D	78#	\$716
3409030	Worksurface, 90"W x 30"D	96#	\$908
350220	Adjustable front support leg	4#	\$125
Keyboard Accessories			
350100	Wire keyboard holder, single unit	3#	\$100
19500A	Retractable keyboard platform; allows keyboard to swivel, lift, lower and tilt, 360° swivel.	10#	\$261
19502A	Optional Mouse Platform for 19500A, +15° to -15° tilt, 360° swivel.	3#	\$104
350114	Under-surface keyboard drawer (30"W worksurface and larger)	5#	\$82

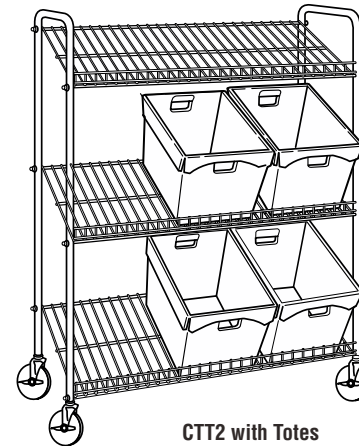
**Tote Carts**

Ideal for use where mail is bulk pre-sorted in postal tubs, then sent to satellite stations for final sorting.

- Heavy-duty 5" diameter wheels (all with brakes) for easy handling in elevators and confined spaces.
- Mail totes are tilted forward allowing easy sorting action.
- Each Tote Cart holds 9 standard mail totes.
- CTT2 has 1" chrome 16 gauge steel leg tubing with 1/4" diameter chrome wire shelves. 225 lb. weight capacity.

**Totes**

Totes of lightweight, high-density polyethylene with 3/8" dia. galvanized wire rod reinforcement at top. Available in packages of 3 or 6 totes.

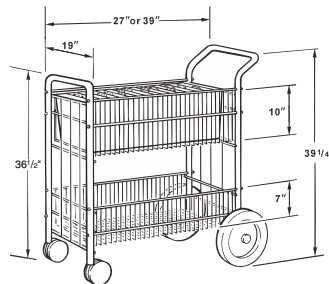


CTT2 with Totes

Model No.	Description	Width	Height	Depth	Wt.	List Price
* CTT2	Wire Cart	43 1/2"	55"	18"	52#	\$599

**Wire Carts**

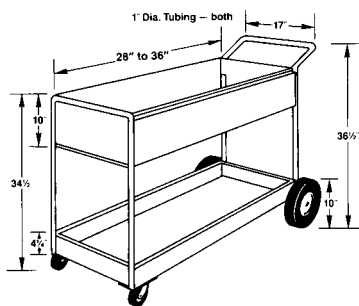
Two sizes. 16-gauge 1" diameter chrome-plated steel tube frame. Top and bottom steel wire baskets. 10" diameter rear wheels; 4" diameter casters in front. Easy to assemble.



Model No.	Length	Height	Width	Wt.	List Price
WC39	39"	39 1/2"	19"	46#	\$359
WC27	27"	39 1/2"	19"	40#	\$259

**Panel Carts**

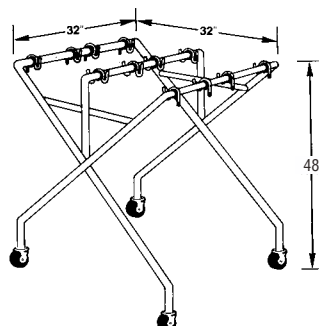
Two sizes. 16-gauge 1" diameter chrome-plated steel tube frame. Top and bottom welded steel bins. 10" diameter rear wheels, 5" front casters. Easy to assemble.



Model No.	Length	Height	Width	Wt.	List Price
90126	42 1/4"	36 1/2"	20"	70#	\$389
90125	34 1/4"	36 1/2"	20"	63#	\$339

**Mail Bag Holders**

These hold the bags open while suspending them clear of the floor. Bag hooks have rubber grommets to hold the bag securely yet release easily. 1" diameter chrome-plated steel tube frame with 3" diameter swivel casters. Fold for easy storage.



Model No.	Width	Height	Depth	Wt.	List Price
90138	32"	48"	32"	22#	\$799
90137	21"	44"	31"	18#	\$528

21" width holds 2 bags. 32" width holds 4 bags

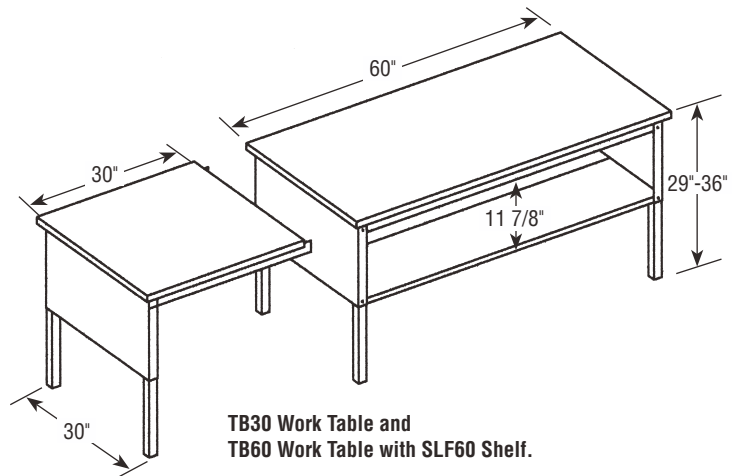


The perfect solution for smaller organizations needing economical and functional mail center furniture.

- Rugged steel frame construction with 1" thick thermally-fused low-pressure laminate work surfaces.
- Ready to assemble.
- **Standard Finishes:** Pebble Gray (Kwik-Ship) paint with Birch low-pressure laminate work surfaces **only**.

## Work Table

- Choice of either a 48"W or a 60"W rectangular table with attaching 30"W corner table.
- Corner table has two legs and must be installed adjacent to work table.
- Legs are 1 1/2" square, 16-gauge brushed chrome tubular steel.
- Tables adjust from 29" - 36"H on 1" increments.
- Work surfaces have 3mm PVC edge.
- 48"W and 60"W table has optional Shelf for under surface storage.

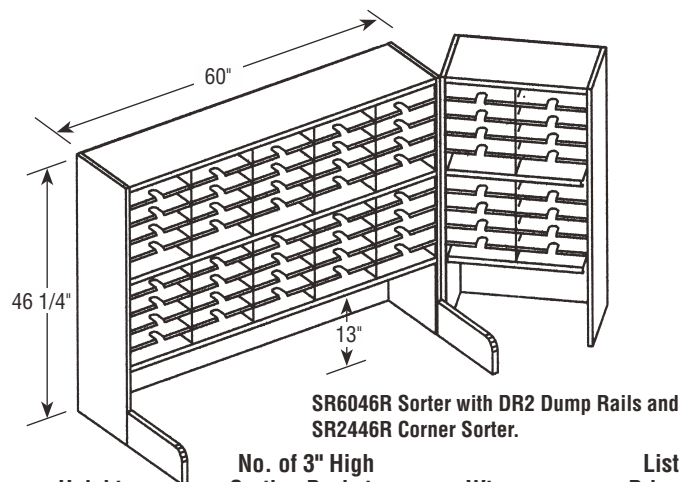


TB30 Work Table and TB60 Work Table with SLF60 Shelf.

Model No.	Description	Wt.	List Price
TB48	48"W Work Table	90#	\$592
SLF48	Shelf for 48"W Work Table	20#	\$125
* TB60	60"W Work Table	112#	\$710
* SLF60	Shelf for 60"W Work Table	25#	\$135
* TB30	30"W Work Table	53#	\$509

## Sorters

- Standard pocket dimension: 11 5/8"W x 2 5/8"H x 13 1/4"D. Shelves are fixed.
- Pockets sized to accommodate commonly used 10" x 13" flat envelopes.
- 48"W and 60"W sorters available in multiple heights, with or without elevated riser.
- 24"W sorter available in a two-tier with riser configuration only.
- Optional side dump rails, task light, and label holders.
- Durable steel construction, ready to assemble.



SR6046R Sorter with DR2 Dump Rails and SR2446R Corner Sorter.

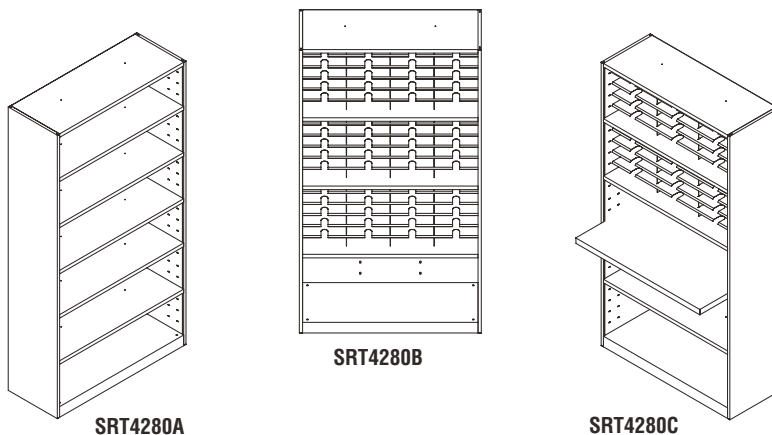
Model No.	Description	Width	Depth	Height	No. of 3" High Sorting Pockets	Wt.	List Price
SR4833R	1-tier, riser	48"	13 1/4"	33 1/4"	20	91#	\$618
SR4833	2-tier, no riser	48"	13 1/4"	33 1/4"	40	133#	\$776
SR4846R	2-tier, riser	48"	13 1/4"	46 1/4"	40	146#	\$960
* SR6033R	1-tier, riser	60"	13 1/4"	33 1/4"	25	113#	\$629
* SR6033	2-tier, no riser	60"	13 1/4"	33 1/4"	50	166#	\$818
* SR6046R	2-tier, riser	60"	13 1/4"	46 1/4"	50	182#	\$1019
* SR2446R	Corner sorter	24"	13 1/4"	46 1/4"	20	85#	\$617
* DR2	Dump rails	15"	3/4"	6"		5#	\$86
* 4904K	48W task light (used for 60" sorters)					10#	\$203
* 3704K	36W task light (used for 48" sorters)					8#	\$172
* 90145	Label holders (set of 20)					1 oz.	\$20



**Mailflow-To-Go Cabinets**

These reconfigurable Mailflow-to-Go cabinets are a perfect addition to any mail or storage room. Their clever design uses one standard cabinet with any of three internal configurations creating a mail sort station, literature organizer or a standard shelving unit for bulk storage.

- Cabinet measures 42"W x 80"H x 16"D.
- Three unique configurations (Mail, Literature or Bulk Storage).
- Ships in 3 days or less.
- Easy to assemble, no hardware required.
- Available in Pebble Gray only.

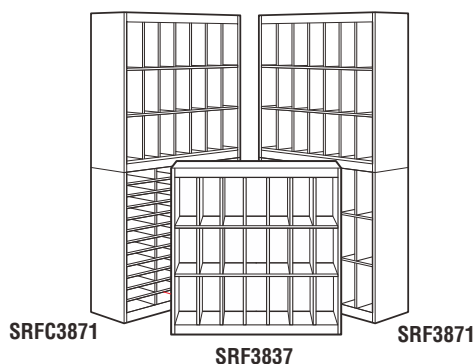


Model No.	Configuration	No. of Shelves/Pockets	Wt.	List Price
* SRT4280A	Bulk Storage	5 adjustable shelves	154#	\$999
* SRT4280B	Literature/Forms	72 pockets	234#	\$1579
* SRT4280C	Mail	30 pockets	202#	\$1429

**VertiPocket Sorters**

- All models measure 37 3/4"W x 12 3/4"D.
- Vertical pockets measure 4 7/8"W x 10 1/4"H x 12 1/2"D.
- Horizontal pockets in Combination Sorter measure 8 3/4"W x 2 1/4"H x 12 1/2"D.
- Frames are steel with fiber board back and interior components.
- Ready to assemble.

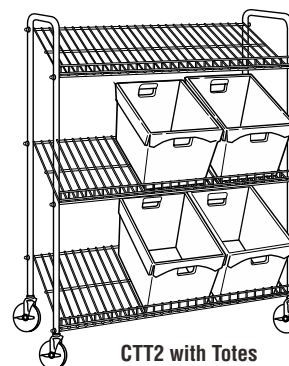
**Standard Finishes:** Pebble Gray only.



Model No.	Description	Height	No. of Pockets	Wt.	List Price
* SRF3837	VertiPocket	37"	21	40#	\$279
* SRF3871	VertiPocket	71"	42	80#	\$494
* SRFC3871	Combination	71"	48 horizontal, 21 vertical	88#	\$550

**Tote Carts**

- Heavy-duty 5" diameter wheels (two with brakes) for easy handling in elevators and confined spaces.
- Mail totes are tilted forward allowing easy sorting action.
- Each Tote Cart holds 9 standard mail totes.
- CTT2 has 1" chrome 16 gauge steel leg tubing with 1/4" diameter chrome wire shelves. 225 lb. weight capacity.

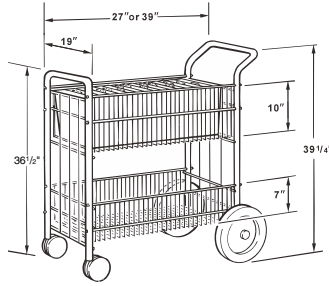


Model No.	Description	Width	Height	Depth	Wt.	List Price
* CTT2	Wire Cart	43 1/2"	55"	18"	52#	\$599
* 90225	Totes (3)	13 1/4"	11 1/2"	18 1/4"	8#	\$121



**Wire Carts**

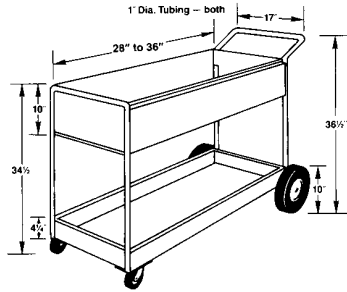
Two sizes. 16-gauge 1" diameter chrome-plated steel tube frame. Top and bottom steel wire baskets. 10" diameter rear wheels; 4" diameter casters in front. Easy to assemble.



Model No.	Length	Height	Width	Wt.	List Price
<b>WC39</b>	39"	39 1/2"	19"	46#	\$359
<b>WC27</b>	27"	39 1/2"	19"	40#	\$259

**Panel Carts**

Two sizes. 16-gauge 1" diameter chrome-plated steel tube frame. Top and bottom welded steel bins. 10" diameter rear wheels, 5" front casters. Easy to assemble.



Model No.	Length	Height	Width	Wt.	List Price
<b>90126</b>	42 1/4"	36 1/2"	20"	70#	\$389
<b>90125</b>	34 1/4"	36 1/2"	20"	63#	\$339



# ***Network Enclosures & Racks***

---



---

**Data/LAN Cabinets**  
**Seismic Cabinets**  
**CableMax™ Cabinets**  
**Jetstream Cabinets**  
**Co-Lo Cabinets™**  
**Open Architecture Racking**  
**Technical Workbenches**

# DATA/LAN CABINETS (DLC)

**GSA** Schedule  
Contract AAAAAA66AAA

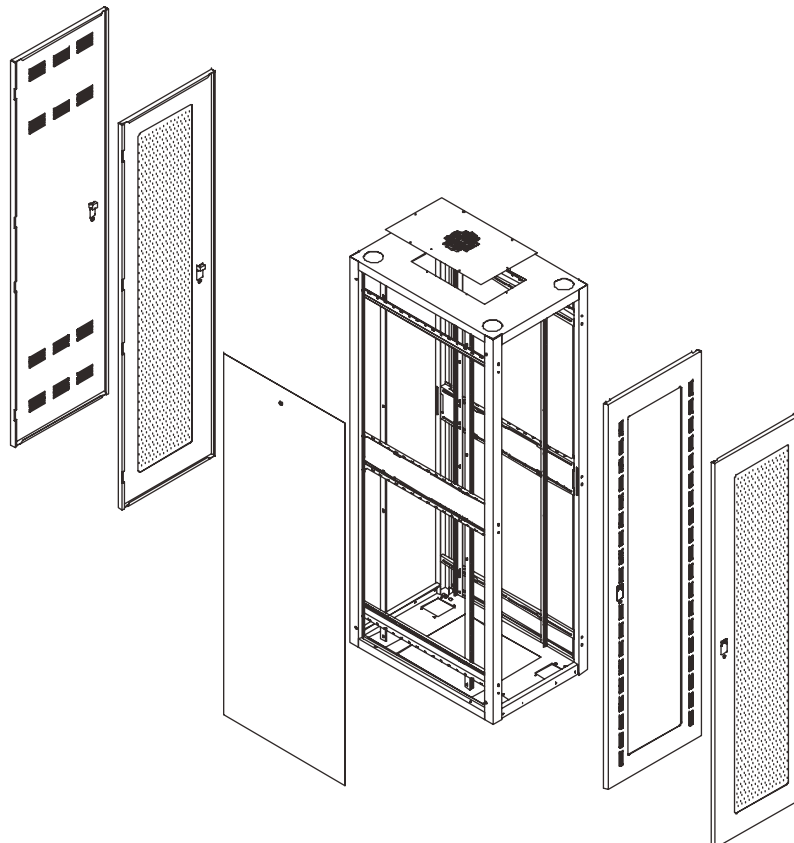
Mayline Customer Service: 1-800-822-8037

- Standard with two pair of front to rear adjustable 19" or 23" EIA rack mount rails with attaching hardware to accommodate any standard rack mounted equipment.
- Open base cutout allows for easy cable access and ventilation and is equipped with leveling feet or optional recessed casters.
- Provides 45U of rack-mountable space in standard 84"H cabinets.
- Weight capacity is tested at 2000 lbs. per cabinet. (leveling feet)
- Front and rear doors manufactured with concealed hinges allowing the doors to be field reversible in swing direction. Critical when connecting enclosures together.
- Flush surface lock for quick lift-off side panels
- Choose between a compression style keyed lock or combination style lock as standard. Electronic locks with additional features are available.
- Front to rear cable tie slots come standard in cross beams on cabinet.
- Available with a multitude of interior components, power and cable management options.
- Common accessories for all cabinets found on pages 177-178.
- Standard with four cable knockouts in top panel, 3 1/2" diameter.
- Internal dimension of usable rack mount space with rails fully extended is 36"D = 33 3/8", 42"D = 39 3/8".
- **Standard paint finishes:** DX5 Chameleon Textured, DU5 Autumn White Textured, DW5 Graphite Textured, DV5 Black Textured (Kwik-Ship)

## ORDERING DLC CABINETS

### PRODUCT NUMBER DEFINITION

<b>91</b>	<b>C</b>	<b>2</b>
<b>1st Definition: Frame Size</b>		
<p>91 = 24"W x 36"D x 84"H Cabinet Dimensions                  92 = 29"W x 36"D x 84"H Cabinet Dimensions                  93 = 24"W x 42"D x 84"H Cabinet Dimensions                  94 = 29"W x 42"D x 84"H Cabinet Dimensions</p>		
<b>2nd Definition: Door and Lock Type</b>		
<p>A = Plexi Front Door/Perforated Rear Door, Keyed Lock                  B = Plexi Front Door/Perforated Rear Door, Combination Lock                  C = Plexi Front Door/Louvered Steel Rear Door, Keyed Lock                  D = Plexi Front Door/Louvered Steel Rear Door, Combination Lock                  E = Perforated Front Door/Perforated Rear Door, Keyed Lock                  F = Perforated Front Door/Perforated Rear Door, Combination Lock</p>		
		<b>3rd Definition: Side Panels</b>
		<p>0 = no side panels                  1 = 1 solid steel side panel                  2 = 2 solid steel side panels</p>



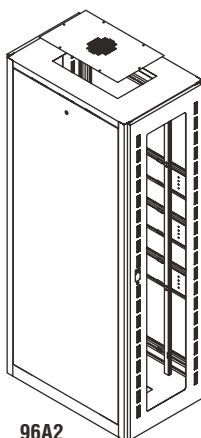
Model No.	Description	Wt.	List Price
91R	24"x36" cabinet frame only, no doors, no side panels	70#	\$1705
92R	29"x36" cabinet frame only, no doors, no side panels	75#	\$1853
93R	24"x42" cabinet frame only, no doors, no side panels	80#	\$2097
94R	29"x42" cabinet frame only, no doors, no side panels	85#	\$2303
91A0	24"x36" plexi front door/perforated rear door, keyed lock, no side panels	100#	\$2827
91A1	24"x36" plexi front door/perforated rear door, keyed lock, one side panel	156#	\$3141
* 91A2	24"x36" plexi front door/perforated rear door, keyed lock, two side panels	212#	\$3457
91B0	24"x36" plexi front door/perforated rear door, combination lock, no side panels	100#	\$2884
91B1	24"x36" plexi front door/perforated rear door, combination lock, one side panel	156#	\$3199
91B2	24"x36" plexi front door/perforated rear door, combination lock, two side panels	212#	\$3513
91C0	24"x36" plexi front door/louvered steel rear door, keyed lock, no side panels	110#	\$2724
91C1	24"x36" plexi front door/louvered steel rear door, keyed lock, one side panel	166#	\$3037
91C2	24"x36" plexi front door/louvered steel rear door, keyed lock, two side panels	222#	\$3354
91D0	24"x36" plexi front door/louvered steel rear door, combination lock, no side panels	110#	\$2928
91D1	24"x36" plexi front door/louvered steel rear door, combination lock, one side panel	166#	\$3096
91D2	24"x36" plexi front door/louvered steel rear door, combination lock, two side panels	222#	\$3411
91E0	24"x36" perforated front door/perforated rear door, keyed lock, no side panels	90#	\$2724
91E1	24"x36" perforated front door/perforated rear door, keyed lock, one side panel	146#	\$3037
91E2	24"x36" perforated front door/perforated rear door, keyed lock, two side panels	202#	\$3354
91F0	24"x36" perforated front door/perforated rear door, combination lock, no side panels	90#	\$2928
91F1	24"x36" perforated front door/perforated rear door, combination lock, one side panel	146#	\$3096
91F2	24"x36" perforated front door/perforated rear door, combination lock, two side panels	202#	\$3411
92A0	29"x36" plexi front door/perforated rear door, keyed lock, no side panels	170#	\$3011
92A1	29"x36" plexi front door/perforated rear door, keyed lock, one side panel	226#	\$3324
92A2	29"x36" plexi front door/perforated rear door, keyed lock, two side panels	282#	\$3638
92B0	29"x36" plexi front door/perforated rear door, combination lock, no side panels	170#	\$3067
92B1	29"x36" plexi front door/perforated rear door, combination lock, one side panel	226#	\$3381
92B2	29"x36" plexi front door/perforated rear door, combination lock, two side panels	282#	\$3697
92C0	29"x36" plexi front door/louvered steel rear door, keyed lock, no side panels	180#	\$2906
92C1	29"x36" plexi front door/louvered steel rear door, keyed lock, one side panel	236#	\$3220
92C2	29"x36" plexi front door/louvered steel rear door, keyed lock, two side panels	292#	\$3533
92D0	29"x36" plexi front door/louvered steel rear door, combination lock, no side panels	180#	\$3110
92D1	29"x36" plexi front door/louvered steel rear door, combination lock, one side panel	236#	\$3279
92D2	29"x36" plexi front door/louvered steel rear door, combination lock, two side panels	292#	\$3594
92E0	29"x36" perforated front door/perforated rear door, keyed lock, no side panels	160#	\$2906
92E1	29"x36" perforated front door/perforated rear door, keyed lock, one side panel	216#	\$3220
92E2	29"x36" perforated front door/perforated rear door, keyed lock, two side panels	272#	\$3533
92F0	29"x36" perforated front door/perforated rear door, combination lock, no side panels	160#	\$3110
92F1	29"x36" perforated front door/perforated rear door, combination lock, one side panel	216#	\$3279
92F2	29"x36" perforated front door/perforated rear door, combination lock, two side panels	272#	\$3594
93A0	24"x42" plexi front door/perforated rear door, keyed lock, no side panels	190#	\$3011
93A1	24"x42" plexi front door/perforated rear door, keyed lock, one side panel	246#	\$3324
93A2	24"x42" plexi front door/perforated rear door, keyed lock, two side panels	302#	\$3638
93B0	24"x42" plexi front door/perforated rear door, combination lock, no side panels	190#	\$3067
93B1	24"x42" plexi front door/perforated rear door, combination lock, one side panel	246#	\$3381
93B2	24"x42" plexi front door/perforated rear door, combination lock, two side panels	302#	\$3697
93C0	24"x42" plexi front door/louvered steel rear door, keyed lock, no side panels	200#	\$2906
93C1	24"x42" plexi front door/louvered steel rear door, keyed lock, one side panel	256#	\$3220
93C2	24"x42" plexi front door/louvered steel rear door, keyed lock, two side panels	312#	\$3533
93D0	24"x42" plexi front door/louvered steel rear door, combination lock, no side panels	200#	\$3110
93D1	24"x42" plexi front door/louvered steel rear door, combination lock, one side panel	256#	\$3279
93D2	24"x42" plexi front door/louvered steel rear door, combination lock, two side panels	312#	\$3594
93E0	24"x42" perforated front door/perforated rear door, keyed lock, no side panels	180#	\$2906
93E1	24"x42" perforated front door/perforated rear door, keyed lock, one side panel	236#	\$3220
93E2	24"x42" perforated front door/perforated rear door, keyed lock, two side panels	292#	\$3533
93F0	24"x42" perforated front door/perforated rear door, combination lock, no side panels	180#	\$3110
93F1	24"x42" perforated front door/perforated rear door, combination lock, one side panel	236#	\$3279

Model No.	Description	Wt.	List Price
93F2	24"x42" perforated front door/perforated rear door, combination lock, two side panels	292#	\$3594
94A0	29"x42" plexi front door/perforated rear door, keyed lock, no side panels	200#	\$3191
94A1	29"x42" plexi front door/perforated rear door, keyed lock, one side panel	256#	\$3507
94A2	29"x42" plexi front door/perforated rear door, keyed lock, two side panels	312#	\$3820
94B0	29"x42" plexi front door/perforated rear door, combination lock, no side panels	200#	\$3250
94B1	29"x42" plexi front door/perforated rear door, combination lock, one side panel	256#	\$3565
94B2	29"x42" plexi front door/perforated rear door, combination lock, two side panels	312#	\$3883
94C0	29"x42" plexi front door/louvered steel rear door, keyed lock, no side panels	210#	\$3089
94C1	29"x42" plexi front door/louvered steel rear door, keyed lock, one side panel	266#	\$3404
94C2	29"x42" plexi front door/louvered steel rear door, keyed lock, two side panels	322#	\$3718
94D0	29"x42" plexi front door/louvered steel rear door, combination lock, no side panels	210#	\$3294
94D1	29"x42" plexi front door/louvered steel rear door, combination lock, one side panel	266#	\$3464
94D2	29"x42" plexi front door/louvered steel rear door, combination lock, two side panels	322#	\$3777
94E0	29"x42" perforated front door/perforated rear door, keyed lock, no side panels	190#	\$3089
94E1	29"x42" perforated front door/perforated rear door, keyed lock, one side panel	246#	\$3404
94E2	29"x42" perforated front door/perforated rear door, keyed lock, two side panels	302#	\$3718
94F0	29"x42" perforated front door/perforated rear door, combination lock, no side panels	190#	\$3294
94F1	29"x42" perforated front door/perforated rear door, combination lock, one side panel	246#	\$3464
94F2	29"x42" perforated front door/perforated rear door, combination lock, two side panels	302#	\$3777

## SEISMIC CABINET



- Compliant in accordance with Bellcore NEBS GR-63-core seismic specifications.
- Designed to full Zone 4 certification.
- Heavy duty 14 gauge all welded reinforced frame construction.
- Standard with two pair front to rear adjustable 19" EIA rails.
- Available in 24"Wx36"Dx84"H cabinet, providing 45U of rack mountable space.
- Choose between a compression style keyed lock or combination style lock as standard. Electronic locks with additional features are available.
- Available with a multitude of interior components, power and cable management options.
- Common accessories for all cabinets found on pages 177-178.
- **Standard paint finishes:** DX5 Chameleon Textured, DU5 Autumn White Textured, DW5 Graphite Textured, DV5 Black Textured



96A2

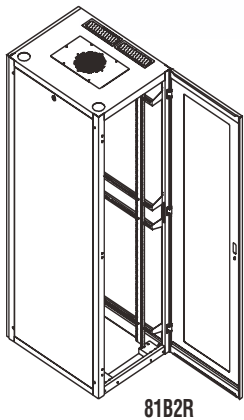
Model No.	Description	Wt.	List Price
96A0	24"x36" plexi front door/perforated rear door, keyed lock, no side panels	175#	\$3417
96A1	24"x36" plexi front door/perforated rear door, keyed lock, one side panel	231#	\$3717
96A2	24"x36" plexi front door/perforated rear door, keyed lock, two side panels	287#	\$4032
96B0	24"x36" plexi front door/perforated rear door, combination lock, no side panels	175#	\$3470
96B1	24"x36" plexi front door/perforated rear door, combination lock, one side panel	231#	\$3772
96B2	24"x36" plexi front door/perforated rear door, combination lock, two side panels	287#	\$4087
96C0	24"x36" plexi front door/louvered steel rear door, keyed lock, no side panels	185#	\$3320
96C1	24"x36" plexi front door/louvered steel rear door, keyed lock, one side panel	241#	\$3624
96C2	24"x36" plexi front door/louvered steel rear door, keyed lock, two side panels	297#	\$3909
96D0	24"x36" plexi front door/louvered steel rear door, combination lock, no side panels	185#	\$3375
96D1	24"x36" plexi front door/louvered steel rear door, combination lock, one side panel	241#	\$3676
96D2	24"x36" plexi front door/louvered steel rear door, combination lock, two side panels	297#	\$3963
96E0	24"x36" perforated front door/perforated rear door, keyed lock, no side panels	165#	\$3320
96E1	24"x36" perforated front door/perforated rear door, keyed lock, one side panel	221#	\$3624
96E2	24"x36" perforated front door/perforated rear door, keyed lock, two side panels	277#	\$3909
96F0	24"x36" perforated front door/perforated rear door, combination lock, no side panels	165#	\$3375
96F1	24"x36" perforated front door/perforated rear door, combination lock, one side panel	221#	\$3676
96F2	24"x36" perforated front door/perforated rear door, combination lock, two side panels	277#	\$3963

# CABLEMAX™ CABINET



Mayline Customer Service: 1-800-822-8037

- Provides 5.25" of unobstructed cable space for heavy cable applications.
- Provides superior cable management and improved airflow.
- Available in 29"W x 36"D x 84"H cabinet designed to accommodate any standard 19" rack mount equipment.
- Provides 45U of usable rack mount space.
- Top of cabinet includes 2 – 12" x 4" wire managers for ease of routing cables.
- Base cutout has a 428 sq. inch cutout for cables coming from the floor.
- Weight capacity is tested to 2,000 lbs. per cabinet on leveling feet.
- Available with an optional cable channel and cable D-clips to organize cables efficiently.
- Standard with 2 pair of #11 gauge, front to rear adjustable 19" EIA rack mount rails.
- Choose between a compression style keyed lock or combination style lock as standard. Electronic locks with additional features are available.
- Common accessories for all cabinets found on pages 177-178.
- **Standard paint finishes:** DX5 Chameleon Textured, DU5 Autumn White Textured, DW5 Graphite Textured, DV5 Black Textured

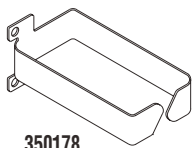


81B2R

Model No.	Description	Wt.	List Price
81B0R	Cable space right, plexi front door perforated rear door, combination lock, no side panels	170#	\$3364
81B1R	Cable space right, plexi front door perforated rear door, combination lock, one side panel	226#	\$3707
81B2R	Cable space right, plexi front door perforated rear door, combination lock, two side panels	282#	\$4057
81F0R	Cable space right, perforated front door/perforated rear door, combination lock, no side panels	170#	\$3415
81F1R	Cable space right, perforated front door/perforated rear door, combination lock, one side panel	226#	\$3598
81F2R	Cable space right, perforated front door/perforated rear door, combination lock, two side panels	282#	\$3940
81D0R	Cable space right, plexi front door/louvered steel rear door, combination lock, no side panels	170#	\$3415
81D1R	Cable space right, plexi front door/louvered steel rear door, combination lock, one side panel	226#	\$3598
81D2R	Cable space right, plexi front door/louvered steel rear door, combination lock, two side panels	282#	\$3940
81A0R	Cable space right, plexi front door perforated rear door, keyed lock, no side panels	170#	\$3298
81A1R	Cable space right, plexi front door perforated rear door, keyed lock, one side panel	226#	\$3645
81A2R	Cable space right, plexi front door perforated rear door, keyed lock, two side panels	282#	\$3992
81E0R	Cable space right, perforated front door/perforated rear door, keyed lock, no side panels	170#	\$3189
81E1R	Cable space right, perforated front door/perforated rear door, keyed lock, one side panel	226#	\$3532
81E2R	Cable space right, perforated front door/perforated rear door, keyed lock, two side panels	282#	\$3873
81C0R	Cable space right, plexi front door/louvered steel rear door, keyed lock, no side panels	170#	\$3189
81C1R	Cable space right, plexi front door/louvered steel rear door, keyed lock, one side panel	226#	\$3532
81C2R	Cable space right, plexi front door/louvered steel rear door, keyed lock, two side panels	282#	\$3873

### Optional Accessories

- Cable routing channel mounts to cross beams in open channel for additional cable management points.
- Channel will accept optional D-clips or allow user to tie wrap cables.



350178

350160	36" D CableMAX Side Panel, solid steel	56#	\$314
350170	11 gauge, 45U Optional Cable Routing Channel	2#	\$139
350175	Optional 2" x 2" D-Clips	.03#	\$41
350178	Optional 2" x 5" D-Clip	.03#	\$45

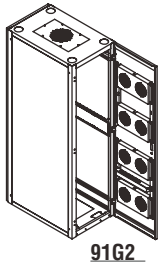


# JETSTREAM CABINET



Mayline Customer Service: 1-800-822-8037

- Designed to control internal temperatures and eliminate hot spots within cabinet.
- Provides 1840 cfm of increased airflow to efficiently move cool air over equipment.
- Door-mounted fans are powered by self contained surge protected strip.
- Technical engineering test results available upon request.
- Standard with two pair of front to rear adjustable 19" or 23" EIA rails.
- Choose between a compression style keyed latch or combination style lock as standard.
- Standard with four cable knockouts in top panel, 3 1/2" diameter.
- Available with a multitude of interior components, power and cable management options.
- Common accessories for all cabinets found on pages 177-178.
- **Standard paint finishes:** DX5 Chameleon Textured, DU5 Autumn White Textured, DW5 Graphite Textured, DV5 Black Textured



91G2

Model No.	Description	Wt.	List Price
91G0	24"x36" JetStream front door/perforated rear door, keyed lock, no side panels	215#	\$6362
91G1	24"x36" JetStream front door/perforated rear door, keyed lock, one side panel	260#	\$6697
91G2	24"x36" JetStream front door/perforated rear door, keyed lock, two side panels	320#	\$7036
91H0	24"x36" JetStream front door/perforated rear door, combination lock, no side panels	215#	\$6423
91H1	24"x36" JetStream front door/perforated rear door, combination lock, one side panel	260#	\$6760
91H2	24"x36" JetStream front door/perforated rear door, combination lock, two side panels	320#	\$7095
92G0	29"x36" JetStream front door/perforated rear door, keyed lock, no side panels	220#	\$6560
92G1	29"x36" JetStream front door/perforated rear door, keyed lock, one side panel	265#	\$6974
92G2	29"x36" JetStream front door/perforated rear door, keyed lock, two side panels	325#	\$7233
92H0	29"x36" JetStream front door/perforated rear door, combination lock, no side panels	220#	\$6620
92H1	29"x36" JetStream front door/perforated rear door, combination lock, one side panel	265#	\$7036
92H2	29"x36" JetStream front door/perforated rear door, combination lock, two side panels	325#	\$7295
93G0	24"x42" JetStream front door/perforated rear door, keyed lock, no side panels	225#	\$6560
93G1	24"x42" JetStream front door/perforated rear door, keyed lock, one side panel	270#	\$6897
93G2	24"x42" JetStream front door/perforated rear door, keyed lock, two side panels	330#	\$7231
93H0	24"x42" JetStream front door/perforated rear door, combination lock, no side panels	225#	\$6620
93H1	24"x42" JetStream front door/perforated rear door, combination lock, one side panel	270#	\$6957
93H2	24"x42" JetStream front door/perforated rear door, combination lock, two side panels	330#	\$7294
94G0	29"x42" JetStream front door/perforated rear door, keyed lock, no side panels	235#	\$6760
94G1	29"x42" JetStream front door/perforated rear door, keyed lock, one side panel	280#	\$7095
94G2	29"x42" JetStream front door/perforated rear door, keyed lock, two side panels	340#	\$7428
94H0	29"x42" JetStream front door/perforated rear door, combination lock, no side panels	235#	\$6822
94H1	29"x42" JetStream front door/perforated rear door, combination lock, one side panel	280#	\$7157
94H2	29"x42" JetStream front door/perforated rear door, combination lock, two side panels	340#	\$7489

## JETSTREAM DOORS

- Sold individually for cabinets experiencing heat overloads.
- Can easily retrofit to Mayline DLC, Seismic, CableMax and Full Height CO-LO Cabinets.



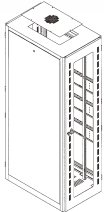
1JK24

Model No.	Description	Wt.	List Price
1JK24	24"W JetStream front door, keyed lock	115#	\$3823
1JC24	24"W JetStream front door, combination lock	115#	\$3868
1JK29	29"W JetStream front door, keyed lock	120#	\$4053
1JC29	29"W JetStream front door, combination lock	120#	\$4098

- Field convertible allowing provider to reconfigure co-location compartments by simply purchasing new doors, rails and separators.
- Individually locked compartments provide security in leased computer spaces
- Completely secure separators between compartments that can support 250 lbs.
- Separate power and cable distribution to each compartment protecting co-locator's equipment from disruptions occurring in other compartments.
- Front and rear doors manufactured with concealed hinges allowing the doors to be field reversible in swing direction.
- Full complement of interior accessories available.
- Standard with two pair of front to rear adjustable 19" EIA rails for each compartment.
- Standard with two solid steel 18 gauge side panels.
- Standard with keyless combination style locks. Front and rear doors have matching combinations.
- All cabinets 84"H x 24"W x 36"D
- Common accessories for all cabinets found on pages 177-178.
- **Standard paint finishes:** DX5 Chameleon Textured, DU5 Autumn White Textured, DW5 Graphite Textured, DV5 Black Textured

## 1 COMPARTMENT DESIGN

- A single component design provides 45U of rack mount space.

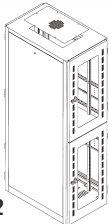


98B2

Model No.	Description	Wt.	List Price
98B2	1 Compartment, plexi front door/perforated rear door, combination lock	212#	\$3972
98D2	1 Compartment, plexi front door/louvered steel rear door, combination lock	222#	\$3972
98F2	1 Compartment, perforated front door/perforated rear door, combination lock	202#	\$3972

## 2 COMPARTMENT DESIGN

- Two vertically stacked individual locked compartments with secure cable runway.
- Each compartment includes 22U of rack mount space.

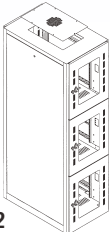


98H2

Model No.	Description	Wt.	List Price
98H2	2 Compartment, plexi front door/perforated rear door, combination lock	232#	\$4550
98K2	2 Compartment, plexi front door/louvered steel rear door, combination lock	242#	\$4550
98N2	2 Compartment, perforated front door/perforated rear door, combination lock	222#	\$5069

## 3 COMPARTMENT DESIGN

- Three vertically stacked individual locked compartments with secure cable runway.
- Each compartment includes 14U of rack mount space.



98I2

Model No.	Description	Wt.	List Price
98I2	3 Compartment, plexi front door/perforated rear door, combination lock	242#	\$4550
98L2	3 Compartment, plexi front door/louvered steel rear door, combination lock	252#	\$5069
98P2	3 Compartment, perforated front door/perforated rear door, combination lock	232#	\$5069

## CO-LO DOORS

- Sold individually for reconfiguration of cabinet.
- Available with combination locks that can be reprogrammed with factory pre-programmed combinations and master key.

Model No.	Description	Wt.	List Price
1PX24	Full height plexi front door/perforated rear door, combination lock	70#	\$1037
1PF24	Full height perforated front door/perforated rear door, combination lock	64#	\$1037
1ST24	Full height plexi front door/louvered steel rear door, combination lock	70#	\$1037
2PX24	1/2 height plexi front door/perforated rear door, combination lock	34#	\$727
2PF24	1/2 height perforated front door/perforated rear door, combination lock	32#	\$727
2ST24	1/2 height plexi front door/louvered steel rear door, combination lock	34#	\$727
3PX24	1/3 height plexi front door/perforated rear door, combination lock	24#	\$680
3PF24	1/3 height perforated front door/perforated rear door, combination lock	22#	\$680
3ST24	1/3 height plexi front door/louvered steel rear door, combination lock	24#	\$680
350237	Combination Lock Kit that allows doors to be field retrofit with hinges on left side	1#	\$97

**CO-LO RAILS (SOLD INDIVIDUALLY FOR FIELD RETROFIT)**

Mayline Customer Service: 1-800-822-8037

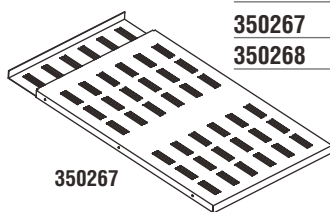
- Variety of 11-gauge fully adjustable 19" EIA steel rails to meet most hardware manufactures requirements
- Available in 1/3, 1/2 or full heights
- Rails come standard with 24-#10-32 cage nuts
- Rails sold in pairs

Model No.	Description	Wt.	List Price
<b>350261</b>	Full Height, square hole	5#	\$140
<b>350262</b>	1/2 Height, square hole	3#	\$107
<b>350263</b>	1/3 Height, square hole	2.5#	\$107
<b>350264</b>	Full Height, Sun Microsystem compatible	5#	\$212
<b>350265</b>	1/2 Height, Sun Microsystem compatible	3#	\$172
<b>350266</b>	1/3 Height, Sun Microsystem compatible	2.5#	\$172
<b>350226</b>	Package of 24 10-32 thread cage nuts	.10#	\$33
<b>350236</b>	Package of 24 12-24 thread cage nuts	.10#	\$35
<b>350254</b>	Package of 24 M6X1 thread cage nuts	.10#	\$36

**COMPARTMENT SEPARATORS (SOLD INDIVIDUALLY FOR FIELD RETROFIT)**

- **Standard paint finishes:** DX5 Chameleon Textured, DU5 Autumn White Textured, DW5 Graphite Textured, DV5 Black Textured

Model No.	Description	Wt.	List Price
<b>350267</b>	CoLo separator	10#	\$191
<b>350268</b>	CoLo base separator	10#	\$191

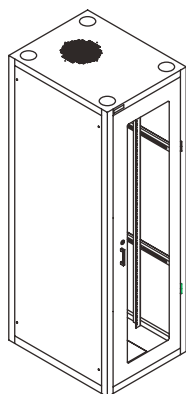


350267

**STANDARD DATA CABINET (SDC)**Schedule  
Contract AAAAAA66AAAA

Mayline Customer Service: 1-800-822-8037

- Ideal for network and telecommunication applications.
- Weight capacity is tested at 1000 lbs. per cabinet on leveling feet.
- Standard with two pair of front to rear adjustable 19" EIA rack mount rails with attaching hardware.
- **Standard paint finishes:** DX5 Chameleon Textured, DU5 Autumn White Textured (Kwik-Ship), DW5 Graphite Textured (Kwik-Ship), DV5 Black Textured
- Cabinet provides 14U in 30"H, 24U in 48"H, 38U in 72" and 45U in 84"H.
- Plexiglas locking front door, vented steel rear door and removable side panels.
- Standard with four - 3 1/2" cable knockouts in top panel.
- Available with a multitude of interior components.



3358436

Model No.	Description	Wt.	List Price
* <b>3358436</b>	24"W x 36"D x 84"H SDC Cabinet, with 19" rails (2 pair) (includes 48 Cage-Nuts)	220#	\$2514
* <b>3357236</b>	24"W x 36"D x 72"H SDC Cabinet, with 19" rails (2 pair) (includes 48 Cage-Nuts)	168#	\$2242
* <b>3354836</b>	24"W x 36"D x 48"H SDC Cabinet, with 19" rails (2 pair) (includes 48 Cage-Nuts)	148#	\$1909
* <b>3353036</b>	24"W x 36"D x 30"H SDC Cabinet, with 19" rails (2 pair) (includes 48 Cage-Nuts)	120#	\$1621
* <b>4211730</b>	Shelf, 17"W x 30"D, fixed vented steel, 250# load rating	15#	\$174
* <b>4221530</b>	Shelf, 15"W x 30"D, sliding vented steel, 200# load rating	18#	\$288
<b>Options</b>			
* <b>350221</b>	Casters, set of four 3", 1,000# load rating	7#	\$110
<b>350255</b>	Full Height, square hole, pair of additional rails for 72"H SDC Cabinet	8#	\$165
<b>350260</b>	Full Height, square hole, pair of additional rails for 84"H SDC Cabinet	8#	\$168
* <b>350222</b>	550 cfm fan	6#	\$321

## SIDE PANEL (SOLD INDIVIDUALLY)

- Flush surface lock for quick lift off side panels.
- 18 gauge CRS side panels available in two depths.
- Self-locating pins for easy installation.
- **Standard paint finishes:** DX5 Chameleon Textured, DU5 Autumn White Textured, DW5 Graphite Textured, DV5 Black Textured (Kwik-Ship)

40584363



Model No.	Description	Wt.	List Price
40584363	36"D Side Panel, solid steel	56#	\$374
4058442	42"D Side Panel, solid steel	60#	\$384

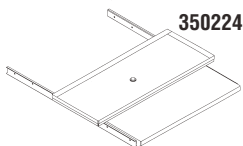
## RACK MOUNT RAILS

- 11 gauge CRS Universal square rack mount rail allowing the use of 10-32, 12-24 or M6 hardware.
- Rails are sold in pairs.

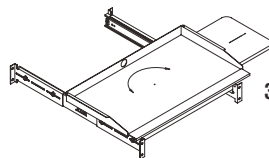
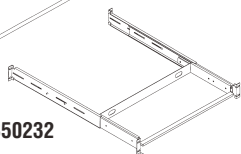
Model No.	Description	Wt.	List Price
120	Full Height, square hole, reversible for 29"W cab	8#	\$279
121	Full Height, square hole, for 24"W cab	5#	\$158
350226	Package of 24 10-32 thread cage nuts	.10#	\$33
350236	Package of 24 12-24 thread cage nuts	.10#	\$35
350254	Package of 24 M6X1 thread cage nuts	.10#	\$36

## KEYBOARD OPTIONS

- Convenient keyboard shelves designed to accommodate trays up to 17.75".
- Stores neatly in cabinet when not in use.
- Maximum weight capacity of 40 lbs.
- Mounting hardware, brackets and slides included.
- Inside tray dimension of deluxe pivoting keyboard tray is 10.75"D x 20.5"W.
- Available in Black Finish.



350232

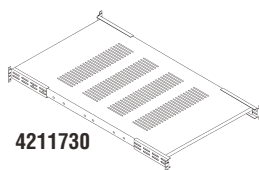


350269

Model No.	Description	Wt.	List Price
* 350224	19" Rack Mount Pivoting Keyboard Platform	14#	\$224
350269	Deluxe 19" Rack Mount Pivoting Keyboard w/sliding mouse tray	18#	\$314
350232	23" Rack Mount Keyboard Platform (Not compatible with SDC Cabinet)	16#	\$229

## STATIONARY SHELF

- Vented to provide maximum air flow inside the cabinet.
- 14 gauge Steel shelves available in two depths.
- Maximum weight capacity is 250 lbs.
- Mounting hardware included.
- Available in Black Finish.



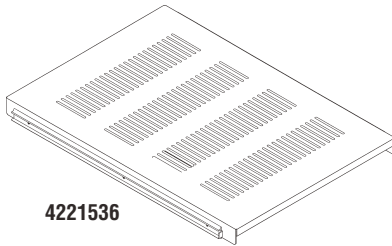
4211730

Model No.	Description	Wt.	List Price
* 4211730	Stationary Shelf, 17"W x 30"D (24x36 cabs)	16#	\$174
4212130	Stationary Shelf, 21"W x 30"D (29x36 cabs)	19#	\$181
4211736	Stationary Shelf, 17"W x 36"D (24x42 cabs)	19#	\$217
4212136	Stationary Shelf, 21"W x 36"D (29x42 cabs)	22#	\$217

**SLIDING SHELF**

- Vented to provide maximum air flow inside the cabinet.
- 14 gauge Steel shelves available in two depths.
- Shelves provide easy roll-out access to your equipment.
- Available in Black Finish.

- Mounting hardware and one pair of single extension slides included.
- Mayline recommends cabinet be bolted to floor or anti-tip feet be purchased with use of sliding shelves.
- 250 lbs. load maximum.

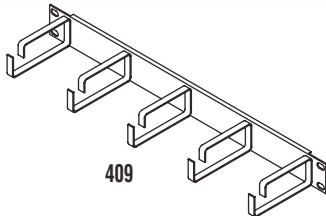


4221536

Model No.	Description	Wt.	List Price
* 4221530	Sliding Shelf, 15"W x 30"D (24x36 cabs) 200# capacity	15#	\$288
4221930	Sliding Shelf, 19"W x 30"D (29x36 cabs) 200# capacity	17#	\$292
4221536	Sliding Shelf, 15"W x 36"D (24x42 cabs) 200# capacity	18#	\$330
4221936	Sliding Shelf, 19"W x 36"D (29x42 cabs) 200# capacity	20#	\$340

**CABLE MANAGEMENT**

- Rack Mount panel neatly routes and manages cabling.
- 16 gauge CRS.
- Available in black finish.
- Mounting hardware included.



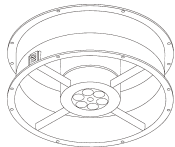
409

Model No.	Description	Wt.	List Price
* 409	19" Rack Mount organizer with (5) 1 1/2"H x 2 1/2"D D-rings (1U)	2#	\$57
413	19" Rack Mount organizer with (18) small cable hangers and (2) horizontal rings (1U)	2#	\$74

**FAN OPTION**

- Available in 105 cfm, 230 cfm and 550 cfm options
- Fan kit draws air into the cabinet and forces warm air out through the vents.
- Numerous options available to aid in the cooling of your equipment.

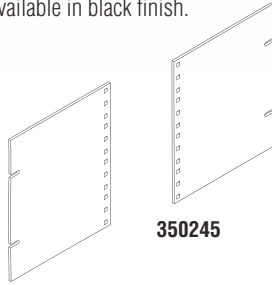
- Fan kits can be added to all cabinets.
- Mounting hardware and fan cord included.
- Only 350222 can be used with SDC cabinets.



350222

Model No.	Description	Wt.	List Price
* 350222	550 cfm fan	6#	\$321
350238	Pair of 230cfm fans w/ top-of-cabinet mounting panel	5#	\$588
350239	105 cfm fan w/ mounting box for rear perforated doors	4#	\$247
350241	Rack Mount Fan Panel w/ 2-50cfm fans, 3U	10#	\$565

- Provides option to rackmount 19" equipment in 23" wide cabinet rails.
- Hole spacing dimensions are EIA standard.
- Sold in pairs.
- Constructed of 12 gauge CRS.
- Available in black finish.



Model No.	Description	Wt.	List Price
<b>350243</b>	1U Rack Bracket Adapter 23"spacing to 19" spacing	.20#	\$36
<b>350244</b>	2U Rack Bracket Adapter 23"spacing to 19" spacing	.30#	\$39
<b>350245</b>	3U Rack Bracket Adapter 23"spacing to 19" spacing	.30#	\$44
<b>350246</b>	4U Rack Bracket Adapter 23"spacing to 19" spacing	.40#	\$47
<b>350247</b>	5U Rack Bracket Adapter 23"spacing to 19" spacing	.50#	\$53

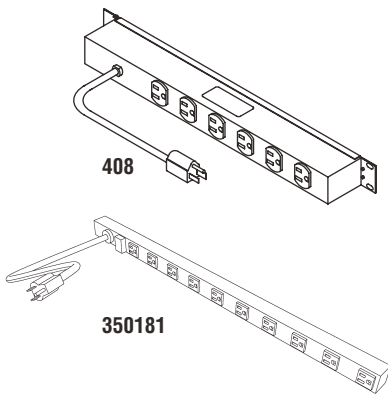
**ADDITIONAL OPTIONS**

- Caster kit includes casters, steel mounting box and hardware.

Model No.	Description	Wt.	List Price
<b>*113</b>	Set of 4 Casters, 1000# capacity (adds 3/4" to overall cabinet height)	11#	\$187
<b>350248</b>	Anti -Tip Feet (Pair) w/Attaching Hardware	20#	\$118
<b>350249</b>	Standard Ganging Kit	1#	\$9
<b>350250</b>	Isolated Ganging Kit	1#	\$81
<b>350251</b>	Copper Bussbar 19" rack mounted (isolated)	2#	\$108

**POWER OPTION**

- Variety of power options to facilitate a multitude of needs in data center applications.
- Available in 15 or 20 amp solutions.
- Rack Mountable power options are 1U high.
- 48" power strips cannot be mounted into 48"H SDC Cabinets.
- Mounting hardware included.



Model No.	Description	Wt.	List Price
<b>408</b>	Rack Mountable Power Strip 15 amp w/surge protector	2.0#	\$308
<b>350174</b>	48"L, 12 outlet power strip, 15 amp w/surge protector	4.0#	\$274
<b>350172</b>	48"L, 16 outlet power strip, 15 amp, 15' cord	4.0#	\$229
<b>*350181</b>	72"L, 24 outlet power strip, 15 amp, 15' cord	4.5#	\$243
<b>350188</b>	72"L, 12 outlet power strip, 20 amp w/ twistlock, 10 ft.cord	5.0#	\$258
<b>350189</b>	72"L, 24 outlet power strip, w/ 22 outlets being 15 amp and 2 outlets being 20 amp, 10 ft.cord	5.0#	\$256



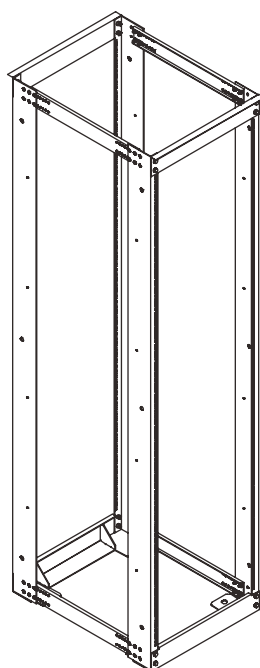
Mayline Group's 72-Hour Kwik-Ship program features over 200 standard items. Orders are limited to 5 of any single model with no limitation to the total number of models per order. Kwik-Ship products are designated throughout the price list by a '\*' symbol to the left of the model number. Available Kwik-Ship colors are listed at the beginning of each product line section.

# DUAL ADJUSTABLE RACK (NOTE: Not on GSA)

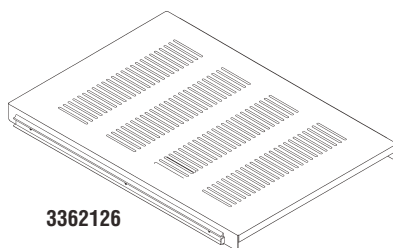
Mayline Customer Service: 1-800-822-8037

- A cost effective solution to rack mounting 19" EIA network equipment.
- Open rack design eliminates ventilation concerns.
- Enables users to easily manage cables and cross connects.
- Available in 72" or 84" heights and two depths: 21-26" or 27-32".
- Depths adjust in 1/2" increments.
- Provides 38U (72"H) or 45U (84"H) of rack mount space using square hole mounting rails.
- 1500 lb. weight capacity.
- Assembles quickly and easily.
- Customizable with a variety of shelves designed to support large networking equipment.
- Accessories listed below are compatible with Dual Adjustable Racks only.
- All steel construction with black finish only.

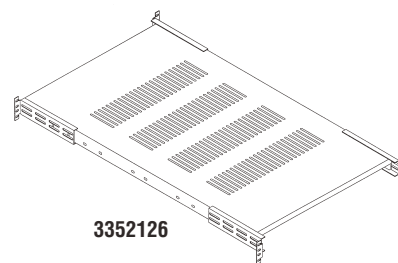
Model No.	Description	Wt.	List Price
* 4357226	Dual Adjustable Rack, 72"H x 19"W x 21-26"D	73#	\$910
* 4357232	Dual Adjustable Rack, 72"H x 19"W x 27-32"D	79#	\$936
* 4358426	Dual Adjustable Rack, 84"H x 19"W x 21-26"D	88#	\$974
* 4358432	Dual Adjustable Rack, 84"H x 19"W x 27-32"D	90#	\$1000
* 3352126	Fixed Shelf, 21-26"D, 200# capacity	13#	\$181
* 3352732	Fixed Shelf, 27-32"D, 200# capacity	16#	\$202
* 3362126	Sliding Shelf, 21-26"D, 200# capacity	22#	\$324
* 3362732	Sliding Shelf, 27-32"D, 200# capacity	26#	\$350
* 3351902	Keyboard Tray with Articulating Mouse Platform	18#	\$194



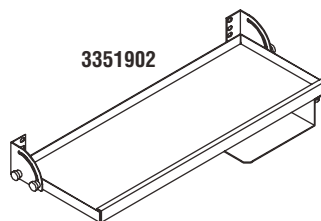
4358432



3362126



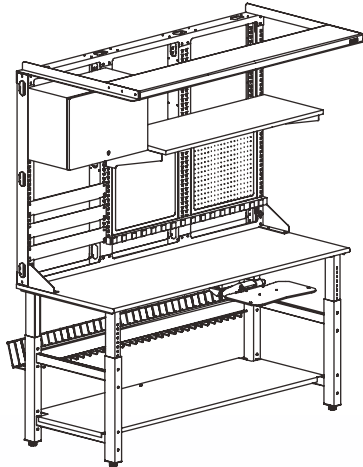
3352126



3351902



**TECHWORKS™ TYPICAL**

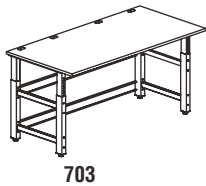


QTY.	DESCRIPTION	MODEL NO.	LIST PRICE
1	72"W X 30"D Table w/Lam.	<b>728H</b>	\$1156
1	72"W x 48"H Upper Frame	<b>713</b>	\$645
1	48"W x 18"D Lam. Fixed Shelf	<b>717H</b>	\$456
1	Retractable Keyboard Platform	<b>19500ATW</b>	\$261
1	Full Base Shelf 72"W x 23"D	<b>723</b>	\$278
3	24"W x 3"H Part Bin Panels	<b>758</b>	\$180
1	24"W Lockable Storage Bin	<b>763</b>	\$567
1	48"W 15amp Power Strip	<b>767</b>	\$226
1	72"W Task Light (48"H Frames)	<b>793</b>	\$605
1	24"W x 24"H Pegboard	<b>752</b>	\$171
1	72"W Wire Cable Basket	<b>779</b>	\$293
1	24"W x 24"H Whiteboard	<b>744</b>	\$171
<b>Total List Price</b>			<b>\$5,009.00</b>

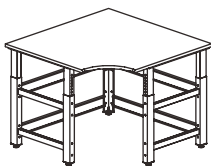
**TABLES**

- Available in 48", 60" and 72" widths, and 30" and 36" depths.
- Bullnose T-mold front edge with 3mm PVC on remaining sides. Black only.
- Tables are height adjustable from 26" to 38" (29" to 41" with caster kit).
- Table base accommodates a full or partial base shelf.
- Standard 3" cable management grommets on worksurface for ease of routing cables.
- 45 lb. density particle board with low pressure laminate (1" thick), high pressure laminate (1 1/8" thick) or ESD laminate (1 1/8" thick), including grounding wire.

- **Now available in 1 3/4" butcher block surface with bullnosed front edge.**
- Supports 1000 lbs. and has welded support foot and leveler.
- Worksurfaces attach with metal-to-metal fasteners.
- Ships knocked down.
- **Standard paint finishes:** DX5 Chameleon Textured, DU5 Autumn White Textured, DW5 Graphite Textured, DV5 Black Textured
- **Kwik-Ship Finishes:** Black textured paint with Storm Gray Maytrix laminate.



703



704

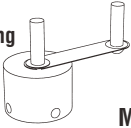
Model No.	Description	Wt.	List Price
<b>700</b>	48"Wx30"D Adjustable Table w/low pressure laminate surface	139#	\$947
<b>700H</b>	48"Wx30"D Adjustable Table w/high pressure laminate surface	139#	\$1046
<b>700E</b>	48"Wx30"D Adjustable Table w/ ESD laminate	139#	\$1278
<b>700B</b>	48"Wx30"D Adjustable Table w/ 1 3/4" butcher block surface	162#	\$1201
<b>701</b>	48"Wx36"D Adjustable Table w/low pressure laminate surface	150#	\$1013
<b>701H</b>	48"Wx36"D Adjustable Table w/high pressure laminate surface	150#	\$1090
<b>701E</b>	48"Wx36"D Adjustable Table w/ESD laminate	150#	\$1399
<b>701B</b>	48"Wx36"D Adjustable Table w/ 1 3/4" butcher block surface	183#	\$1234
<b>727</b>	60"Wx30"D Adjustable Table w/low pressure laminate surface	155#	\$980
* <b>727H</b>	60"Wx30"D Adjustable Table w/high pressure laminate surface	155#	\$1079
<b>727E</b>	60"Wx30"D Adjustable Table w/ESD surface	155#	\$1683
<b>727B</b>	60"Wx30"D Adjustable Table w/ 1 3/4" butcher block surface	187#	\$1565
<b>702</b>	60"Wx36"D Adjustable Table w/low pressure laminate surface	170#	\$1046
* <b>702H</b>	60"Wx36"D Adjustable Table w/high pressure laminate surface	170#	\$1124
<b>702E</b>	60"Wx36"D Adjustable Table w/ESD Surface	170#	\$1707
<b>702B</b>	60"Wx36"D Adjustable Table w/ 1 3/4" butcher block surface	207#	\$1565
<b>728</b>	72"Wx30"D Adjustable Table w/low pressure laminate surface	175#	\$1057
* <b>728H</b>	72"Wx30"D Adjustable Table w/high pressure laminate surface	175#	\$1156
<b>728E</b>	72"Wx30"D Adjustable Table w/ESD surface	175#	\$1717
<b>728B</b>	72"Wx30"D Adjustable Table w/ 1 3/4" butcher block surface	215#	\$1580
<b>703</b>	72"Wx36"D Adjustable Table w/low pressure laminate surface	185#	\$1124
* <b>703H</b>	72"Wx36"D Adjustable Table w/high pressure laminate surface	185#	\$1222
<b>703E</b>	72"Wx36"D Adjustable Table w/ESD surface	185#	\$1697
<b>703B</b>	72"Wx36"D Adjustable Table w/ 1 3/4" butcher block surface	236#	\$1597
<b>729</b>	48"Wx30"D Adjustable Corner Table w/low pressure laminate surface	180#	\$1168
<b>729H</b>	48"Wx30"D Adjustable Corner Table w/high pressure laminate surface	180#	\$1332
<b>729E</b>	48"Wx30"D Adjustable Corner Table w/ESD surface	180#	\$1597
<b>729B</b>	48"Wx30"D Adjustable Corner Table w/ 1 3/4" butcher block surface	220#	\$2424
<b>704</b>	48"Wx36"D Adjustable Corner Table w/low pressure laminate surface	185#	\$1234
<b>704H</b>	48"Wx36"D Adjustable Corner Table w/high pressure laminate surface	185#	\$1332
<b>704E</b>	48"Wx36"D Adjustable Corner Table w/ESD surface	185#	\$1697
<b>704B</b>	48"Wx36"D Adjustable Corner Table w/ 1 3/4" butcher block surface	230#	\$2491

**ESD ACCESSORIES**



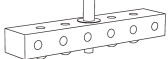
Mayline Customer Service: 1-800-822-8037

**Quad Grounding Jack 788**



- Must be wired in compliance with local electrical codes
- Grounding bar provides common grounding point for managing multiple ground wires

- Wrist strap must be used with Grounding Jack for proper grounding
- Grounding Jack accommodates 4 standard banana jacks (on the end of wrist straps)

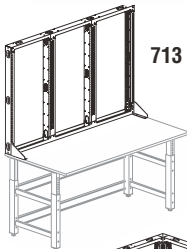


**Grounding Bar 789**

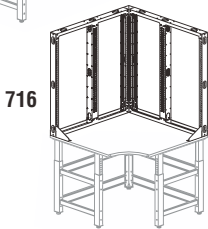
Model No.	Description	Wt.	List Price
<b>787</b>	ESD Wrist strap	2#	\$57
<b>788</b>	ESD Grounding Jack	3#	\$62
<b>789</b>	ESD Grounding Bar	.5#	\$108

**ORGANIZER FRAMES**

- Attaches to top of Techworks Tables.
- Available in 24", 36" and 48" Heights; 48", 60", and 72" Widths; and 48" corner assemblies.
- Uprights are single slotted in 1" increments for maximum height adjustability of components.
- Organizer frames incorporate both horizontal and vertical integrated cable management options without requiring external cable channels.
- 14 gauge cold rolled steel construction, unit supports a maximum load rating of 400 lbs. (evenly balanced, cantilevered on one side).
- Mechanically fastened to worksurfaces.
- Ships knocked down.
- **Standard paint finishes:** DX5 Chameleon Textured, DU5 Autumn White Textured, DW5 Graphite Textured, DV5 Black Textured



**713**



**716**

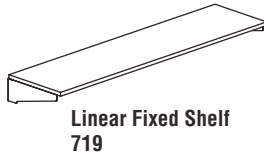
Model No.	Description	Wt.	List Price
<b>705</b>	48"Wx24"H Upper Frame	31#	\$532
<b>706</b>	48"Wx36"H Upper Frame	35#	\$582
<b>707</b>	48"Wx48"H Upper Frame	39#	\$632
<b>708</b>	60"Wx24"H Upper Frame	42#	\$546
<b>709</b>	60"Wx36"H Upper Frame	45#	\$596
* <b>710</b>	60"Wx48"H Upper Frame	51#	\$645
<b>711</b>	72"Wx24"H Upper Frame	53#	\$546
<b>712</b>	72"Wx36"H Upper Frame	59#	\$596
* <b>713</b>	72"Wx48"H Upper Frame	67#	\$645
<b>714</b>	48"Wx24"H Upper Corner Frame	65#	\$794
<b>715</b>	48"Wx36"H Upper Corner Frame	72#	\$844
<b>716</b>	48"Wx48"H Upper Corner Frame	80#	\$925

**SHELVES**

- Widths - 24", 30", 48", 60" and 72", Depth - 18".
- Cantilevered shelves are height adjustable on one-inch increments and relocate without the use of tools for ease of adaptability.
- Tilt shelves have full-length raised safety edge to prevent forward slippage of stored equipment. Shelves are positioned at 0°, 5° or 10° angles.
- Weight capacity of fixed and tilt shelf is 200 lbs. Corner shelf is 250 lbs.
- **Standard paint finishes:** DX5 Chameleon Textured, DU5 Autumn White Textured, DW5 Graphite Textured, DV5 Black Textured

Model No.	Description	Wt.	List Price
<b>797</b>	24"Wx18"D Low Pressure Laminate Fixed Shelf	29#	\$364
<b>797H</b>	24"Wx18"D High Pressure Laminate Fixed Shelf	29#	\$412
<b>797E</b>	24"Wx18"D ESD Fixed Shelf	29#	\$462
<b>797T</b>	24"Wx18"D Low Pressure Laminate Tilt Shelf	32#	\$434
<b>797TH</b>	24"Wx18"D High Pressure Laminate Tilt Shelf	32#	\$483
<b>797TE</b>	24"Wx18"D ESD Tilt Shelf	32#	\$534
<b>798</b>	30"Wx18"D Low Pressure Laminate Fixed Shelf	37#	\$376
<b>798H</b>	30"Wx18"D High Pressure Laminate Fixed Shelf	37#	\$426
<b>798E</b>	30"Wx18"D ESD Fixed Shelf	37#	\$476
<b>798T</b>	30"Wx18"D Low Pressure Laminate Tilt Shelf	40#	\$462
<b>798TH</b>	30"Wx18"D High Pressure Laminate Tilt Shelf	40#	\$512
<b>798TE</b>	30"Wx18"D ESD Tilt Shelf	40#	\$564
<b>717</b>	48"Wx18"D Low Pressure Laminate Fixed Shelf	45#	\$405
* <b>717H</b>	48"Wx18"D High Pressure Laminate Fixed Shelf	45#	\$456
<b>717E</b>	48"Wx18"D ESD Fixed Shelf	45#	\$530
<b>717T</b>	48"Wx18"D Low Pressure Laminate Tilt Shelf	47#	\$507
<b>717TH</b>	48"Wx18"D High Pressure Laminate Tilt Shelf	47#	\$557
<b>717TE</b>	48"Wx18"D ESD Tilt Shelf	47#	\$638

Shelves continued on next page.



Linear Fixed Shelf  
719



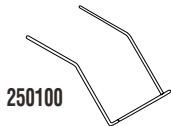
Linear Tilt Shelf  
719T



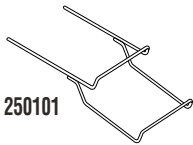
720

Model No.	Description	Wt.	List Price
718	60"Wx18"D Low Pressure Laminate Fixed Shelf	53#	\$456
* 718H	60"Wx18"D High Pressure Laminate Fixed Shelf	55#	\$507
718E	60"Wx18"D ESD Fixed Shelf	55#	\$605
718T	60"Wx18"D Low Pressure Laminate Tilt Shelf	56#	\$557
718TH	60"Wx18"D High Pressure Laminate Tilt Shelf	56#	\$605
718TE	60"Wx18"D ESD Tilt Shelf	56#	\$690
719	72"Wx18"D Low Pressure Laminate Fixed Shelf	63#	\$507
* 719H	72"Wx18"D High Pressure Laminate Fixed Shelf	61#	\$557
719E	72"Wx18"D ESD Fixed Shelf	61#	\$638
719T	72"Wx18"D Low Pressure Laminate Tilt Shelf	66#	\$605
719TH	72"Wx18"D High Pressure Laminate Tilt Shelf	66#	\$657
719TE	72"Wx18"D ESD Tilt Shelf	66#	\$771
720	48"Wx18"D Low Pressure Laminate Corner Shelf	85#	\$708
720H	48"Wx18"D High Pressure Laminate Corner Shelf	85#	\$759
720E	48"Wx18"D ESD Corner Shelf	85#	\$851

KEYBOARD OPTIONS

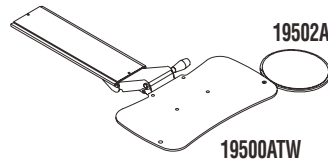


250100



250101

Model No.	Description	Wt.	List Price
* 19500ATW	Retractable keyboard platform 19 1/2"W x 11"D. Black only. +15° to -15° tilt, 360° swivel.	14#	\$261
* 19502A	Optional mouse platform for 19500A, 8"W x 9"D. +15° to -15° tilt, 360° swivel.	2#	\$104
250100	Wire keyboard holder. Chrome finish.	3#	\$83
250101	Dual wire keyboard holder. Chrome finish.	4#	\$142

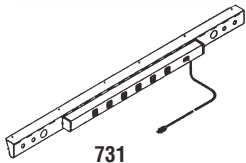


19502A

19500ATW

SERVICE BARS

- Attached with wood screws to the underside of worksurfaces or shelves.
- Most include power strip.
- Includes four openings for air, gas, and vacuum fixtures.
- Includes two cable pass through holes.

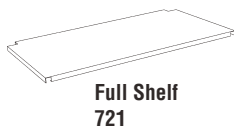


731

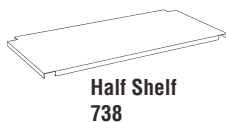
Model No.	Description	Wt.	List Price
730	Service Bar 48" 15amp power strip, 8 outlets, 15' cord	8#	\$354
* 731	Service Bar 60" 15amp power strip, 12 outlets, 15' cord	12#	\$396
* 732	Service Bar 72" 15amp power strip, 16 outlets, 15' cord	14#	\$455
737	Service Bar Corner, no power strip	3#	\$65

TABLE BASE SHELVES

- Shelves attach to the lower or upper cross-bars on table base.
- Shelves are positional in 2 pre-set locations on base.
- 14 gauge CRS.
- Weight capacity of Full base or Partial base shelf is 400 lbs.



Full Shelf  
721



Half Shelf  
738

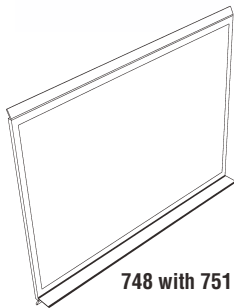
Model No.	Description	Wt.	List Price
721	Full base shelf 48"Wx23"D	33#	\$219
* 722	Full base shelf 60"Wx23"D	39#	\$236
* 723	Full base shelf 72"Wx23"D	47#	\$278
738	Partial Base shelf 48"Wx12"D	16#	\$142
739	Partial Base shelf 60"Wx12"D	19#	\$175
740	Partial Base shelf 72"Wx12"D	22#	\$197

- Casters will add 3" of height to bench
- Kit includes (2) casters without locking mechanism and (2) locking casters which lock the wheel
- Tread is hard rubber
- Load capacity of each caster is 250 lbs.

Model No.	Description	Wt.	List Price
<b>742</b>	Caster Kit (5) for corner units	9#	\$137
<b>350221</b>	Caster Kit (4)	7#	\$110

**WHITEBOARDS**

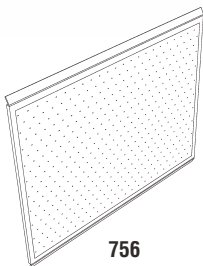
- Attaches between frame uprights
- Creates a finished panel appearance from front.
- Allows hook-on components to be mounted in front of whiteboard.



Model No.	Description	Wt.	List Price
* <b>744</b>	24"W x 24"H whiteboard	6#	\$171
<b>745</b>	24"W x 36"H whiteboard	7#	\$200
<b>746</b>	24"W x 48"H whiteboard	8#	\$242
* <b>747</b>	30"W x 24"H whiteboard	7#	\$184
<b>748</b>	30"W x 36"H whiteboard	8#	\$215
<b>749</b>	30"W x 48"H whiteboard	9#	\$252
<b>750</b>	24"W Marker Tray for whiteboards	1#	\$45
<b>751</b>	30"W Marker Tray for whiteboards	1#	\$49

**PEG BOARDS**

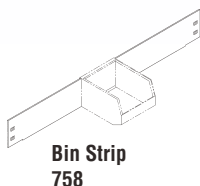
- Attaches between frame uprights
- Creates a finished panel appearance from front.
- Allows hook-on components to be mounted in front of peg board.



Model No.	Description	Wt.	List Price
* <b>752</b>	24"W x 24"H peg board	6#	\$171
<b>753</b>	24"W x 36"H peg board	7#	\$200
<b>754</b>	24"W x 48"H peg board	8#	\$233
* <b>755</b>	30"W x 24"H peg board	7#	\$184
<b>756</b>	30"W x 36"H peg board	8#	\$215
<b>757</b>	30"W x 48"H peg board	9#	\$239

**PART BIN PANELS**

- 48", 60", 72"W organizer frame sizes accept multiple bin strips.
- Accepts optional part bins from multiple vendors. (contact factory for compatibility)
- Hook-on components cannot be placed in front of bin strips.



Model No.	Description	Wt.	List Price
* <b>758</b>	24"W x 3"H Part Bin Panels	3#	\$60
* <b>759</b>	30"W x 3"H Part Bin Panels	4#	\$69

- 24" deep pedestals accept either letter or legal hanging files.
- 16-gauge welded steel cabinet with standard lock.
- 20-gauge welded steel drawer fronts and bodies. Fronts have curved sides and recessed drawer pulls. All drawers have full-extension ball bearing extensions.
- Pedestals are stationary and include leveling glides in two heights (27 3/4" and 26 3/4"H).
- For Mobile Pedestal - order Pedestal and Mobile Kit.
- Height with Mobile Kit installed is 28 1/4"H.
- Available in Black, Pebble Gray and Dove Gray **only**.



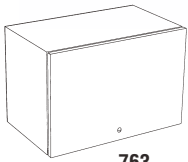
W243 with W24M

**Mobile Pedestal – Order Pedestal and Mobile Kit**

Model No.	Description	Wt.	List Price
* <b>W242</b>	Stationary, two file drawers 15"W x 24"D x 26 3/4"H	55#	\$502
* <b>W243</b>	Stationary, two box drawers, one file drawer 15"W x 24"D x 26 3/4"H	59#	\$502
* <b>W24M</b>	Mobile Kit - includes casters, counter-weight and heavy-duty steel lid	27#	\$58

**OVERHEAD STORAGE**

- Door swings up and over the cabinet to optimize interior space.
- Door lock is standard.
- 12"D x 16"H



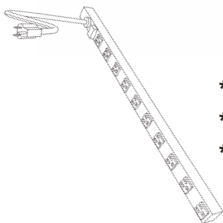
763

**LOCKING STORAGE**

Model No.	Description	Wt.	List Price
* <b>763</b>	24"W lockable storage bin	37#	\$567
* <b>764</b>	30"W lockable storage bin	50#	\$709

**POWER STRIPS**

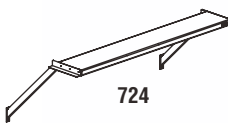
- Mounts horizontally to organizer frame.
- Mounting hardware included



Model No.	Description	Wt.	List Price
<b>765</b>	24"W 15amp power strip, 8 outlets, 15' cord	3#	\$200
* <b>767</b>	48"W 15amp power strip, 16 outlets, 15' cord	4#	\$226
* <b>768</b>	60"W 15amp power strip, 20 outlets, 15' cord	5#	\$273
* <b>769</b>	72"W 15amp power strip, 24 outlets, 15' cord	6#	\$286

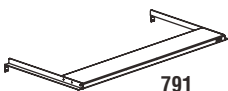
**Note:** 48" wide power strips do not fit on corner organizer frames.

**LIGHTS**



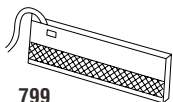
724

- Allow 15" of clearance above frame for height adjustable light
- Overhead lights include an on/off switch.
- Adjustable height overhead light may interfere with the placement of components at the uppermost mounting position.
- Overhead Lights include a 9 foot power cord
- UL and CSA approved
- Recommend one undershelf task light per 24" wide shelf (i.e. 72"W shelf accommodates 3)



791

Model No.	Description	Wt.	List Price
<b>724</b>	48"W 4 bulb ballast adjustable height overhead light	36#	\$539
<b>725</b>	60"W 4 bulb ballast adjustable height overhead light	41#	\$588
<b>726</b>	72"W 4 bulb ballast adjustable height overhead light	47#	\$605
<b>791</b>	48"W 4 bulb magnetic ballast fixed height overhead light	36#	\$539
* <b>792</b>	60"W 4 bulb magnetic ballast fixed height overhead light	41#	\$588
* <b>793</b>	72"W 4 bulb magnetic ballast fixed height overhead light	47#	\$605
<b>799</b>	18"W x 4 1/2"D x 1 1/4"H under shelf task light	8#	\$126



799



**Cable Trough  
775**

**Cable Trough (Mounts between frame uprights)**

Model No.	Description	Wt.	List Price
775	24"W Horizontal Cable Management	2#	\$54
776	30"W Horizontal Cable Management	2.5#	\$58



**Wire Basket  
777**

**Cable Basket (Mounts to table base)**

777	48"W Horizontal Cable Management, Black	4#	\$200
* 778	60"W Horizontal Cable Management, Black	7#	\$240
* 779	72"W Horizontal Cable Management, Black	8#	\$293



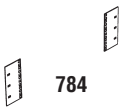
**Vertical Cable  
Organizer  
782**

**Vertical Cable Organizer (Mounts to interior of frame uprights)**

780	24"H section of Vertical Cable Management	2#	\$91
781	36"H section of Vertical Cable Management	2.5#	\$122
782	48"H section of Vertical Cable Management	3#	\$163

**RACK MOUNT ADAPTERS**

- Provides 19" EIA standard rack mounting between uprights.
- Standard with cage nuts for mounting equipment.



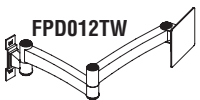
**784**

Model No.	Description	Wt.	List Price
783	3 1/2" rack rail adapter set (2U) 24" spacing	2#	\$91
784	7" rack rail adapter set (4U) 24" spacing	3#	\$163
785	3 1/2" rack rail adapter set (2U) 30" spacing for 60"W frames	2#	\$108
786	7" rack rail adapter set (4U) 30" spacing for 60"W frames	3#	\$177

**CONNECTOR KITS (to connect side-by-side stations together)**

Model No.	Description	Wt.	List Price
790	Connector kits	1#	\$64

**FLAT PANEL MONITOR SUPPORT BRACKET**



**FPD012TW**

Model No.	Description	Wt.	List Price
FPD012TW	Monitor Support – Two Arms	4#	\$269
FPD011TW	Monitor Support – One Arms	2#	\$219
FPD010TW	Monitor Support – No Arms	1#	\$149



**MAYTRIX™ LAN RACKING SYSTEM**

Modular, flexible, yet rugged support system for organizing local area network, communications and monitoring equipment.

**Frames:** Heavy-duty 1" x 2" 11-gauge welded steel, slotted on both sides in 1" increments. Frames can be bolted together as needs expand. 800 lb. maximum load per frame. **Note:** Frame heights are for frame only. Must add 3" for foot and 6" for caster and foot.

**Shelves:** 14-gauge steel with integral attachment brackets. Available either horizontal or with 13° tilt. Floor shelf for CPU requires either glide or caster kit. 300 lb. maximum load per shelf.

**Work Surface:** 1" thermally-fused Fog Gray low-pressure laminate with T-mold edge standard. Also available in 1 1/8" high-pressure laminate or ESD laminate with T-mold edge (does not include grounding wire).

Support brackets included. Additional front support leg suggested for loads over 150#. Support leg included with 36"-deep work surfaces.

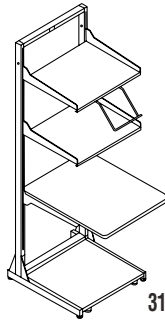
**Keyboard supports:** Available in four variations — single wire holder or double wire holder for mounting under steel shelves; retractable platform or keyboard drawer for mounting under work surface.

**Decorative side panels:** 5/8"-thick thermally-fused low-pressure laminate w/T-mold edge standard. Also available in 3/4"-thick laminate and ESD laminate.

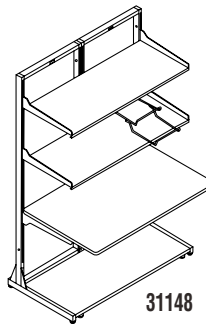


Mayline offers three preconfigured Maytrix LAN stations to meet a variety of systems needs. **Each ships in a single carton.**

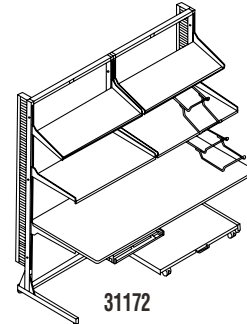
**Color:** Gray paint finish, with Fog Gray low-pressure laminate surfaces only for preconfigured units.



31124



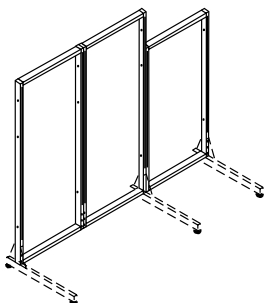
31148



31172

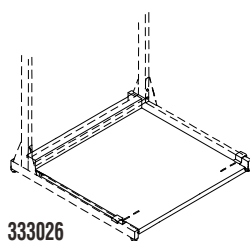
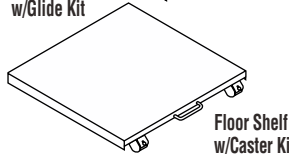
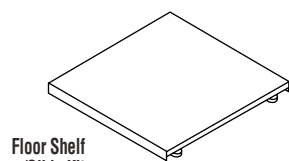
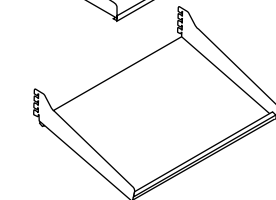
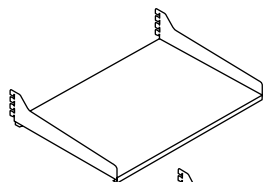
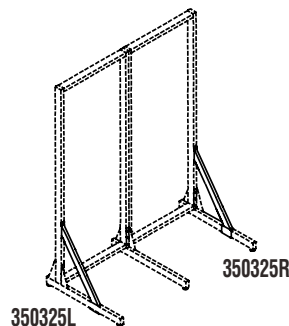
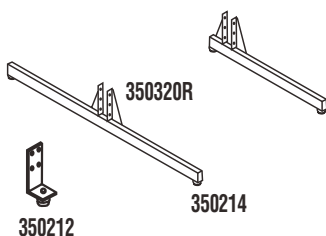
Model No.	Description	Wt.	List Price
<b>31124</b>	<b>24" Basic Maytrix</b> (1) 24" x 72" frame; (2) single-sided legs; (2) 24" x 16" horiz. shelves; (1) single wire keyboard holder; (1) 24" x 30" work surface; (1) 18" x 21" floor shelf; (1) floor shelf glide kit.	119#	\$1624
<b>31148</b>	<b>48" Maytrix Console</b> (2) 24" x 72" frames; (2) single-sided legs; (1) center support foot; (2) 48" x 16" horiz. shelves; (1) double wire keyboard holder; (1) 48" x 30" work surface; (1) 42" x 21" floor shelf; (1) floor shelf glide kit.	211#	\$2751
<b>31172</b>	<b>72" Deluxe Maytrix</b> (2) 36" x 72" frames; (2) single-sided legs; (1) center support foot; (2) 36" x 16" tilt shelves; (2) 36" x 16" horiz. shelves; (2) double wire keyboard holders; (1) 72" x 30" work surface; (1) under surface keyboard drawer; (1) 30" x 21" floor shelf; (1) floor shelf caster kit; (2) 6 ft. slotted cable management channels.	270#	\$4069

*Let Our Professional Design Staff Help You with Maytrix Space Planning.  
Call or visit our web site at [www.mayline.com](http://www.mayline.com)*



Model No.	Description	Wt.	List Price
<b>Maytrix™ Steel Frames</b>			
<b>3202460</b>	Frame, 24"W x 60"H	36#	\$394
<b>3202472</b>	Frame, 24"W x 72"H	40#	\$422
<b>3202484</b>	Frame, 24"W x 84"H	44#	\$462
<b>3203060</b>	Frame, 30"W x 60"H	39#	\$403
<b>3203072</b>	Frame, 30"W x 72"H	43#	\$429
<b>3203084</b>	Frame, 30"W x 84"H	48#	\$473
<b>3203660</b>	Frame, 36"W x 60"H	40#	\$418
<b>3203672</b>	Frame, 36"W x 72"H	47#	\$438
<b>3203684</b>	Frame, 36"W x 84"H	48#	\$480





Model No.	Description	Wt.	List Price
<b>Maytrix™ Leg Options</b>			
350212	Foot, center support	2#	\$60
350213R	Leg, single right (for use with 30"-deep work surfaces)	7#	\$195
350213L	Leg, single left (for use with 30"-deep work surfaces)	7#	\$195
350320R	Leg, single right (for use with 36"D work surfaces)	7#	\$195
350320L	Leg, single left (for use with 36"D work surfaces)	7#	\$195
350214	Leg, double-sided (universal - fits L or R)	11#	\$244
350215	Casters for frame (pair-1 lock, 1 non-lock)	4#	\$100
350325R	Frame brace, right	4#	\$97
350325L	Frame brace, left	4#	\$97

Model No.	Description	Wt.	List Price	Model No.	Description	Wt.	List Price
<b>Maytrix™ Horizontal Mounting Shelf, steel (includes mounting brackets)</b>							
3302416	24"W x 16"D	16#	\$140	3302420	24"W x 20"D	16#	\$152
3303016	30"W x 16"D	19#	\$168	3303020	30"W x 20"D	16#	\$189
3303616	36"W x 16"D	20#	\$218	3303620	36"W x 20"D	24#	\$229
3304816	48"W x 16"D	27#	\$315	3304820	48"W x 20"D	27#	\$327
3305416	54"W x 16"D	27#	\$334	3305420	54"W x 20"D	27#	\$348
3306016	60"W x 16"D	32#	\$354	3306020	60"W x 20"D	38#	\$373
350318	Replacement center mounting bracket (48", 60" only)						\$68

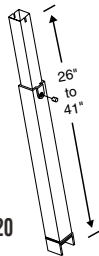
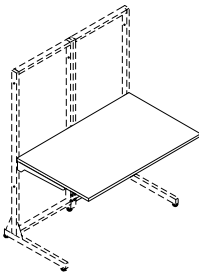
Model No.	Description	Wt.	List Price	Model No.	Description	Wt.	List Price
<b>Maytrix™ 13° Tilt Shelf, steel (includes mounting brackets)</b>							
3312416	24"W x 16"D	16#	\$211	3312420	24"W x 20"D	19#	\$219
3313016	30"W x 16"D	19#	\$248	3313020	30"W x 20"D	19#	\$258
3313616	36"W x 16"D	21#	\$278	3313620	36"W x 20"D	19#	\$289

Model No.	Description	Wt.	List Price
<b>Maytrix™ Floor Shelf, steel</b>			
3322421	Floor shelf, 18"W x 21"D, fits 24"W frame	14#	\$237
3323021	Floor shelf, 24"W x 21"D, fits 30"W frame	16#	\$248
3323621	Floor shelf, 30"W x 21"D, fits 36"W frame	19#	\$251
3324821	Floor shelf, 42"W x 21"D, fits 48"W frame	26#	\$269
3326021	Floor shelf, 54"W x 21"D, fits 60"W frame	30#	\$291
350218	Floor shelf caster kit (2 lock, 2 non-lock)	2#	\$32
350216	Floor shelf glide kit (set of 4)	1#	\$38

Model No.	Description	Wt.	List Price
<b>Maytrix Attached Server Shelf, steel</b>			
For use with 30"-deep worksurfaces and 350213L/350213R legs			
332421	24"W x 21"D	16#	\$140
333021	30"W x 21"D	19#	\$150
333621	36"W x 21"D	23#	\$183

Model No.	Description	Wt.	List Price
For use with 36"-deep worksurfaces and 350320L/350320R legs			
332426	24"W x 26 3/4"D	16#	\$150
333026	30"W x 26 3/4"D	19#	\$161
333626	36"W x 26 3/4"D	23#	\$193

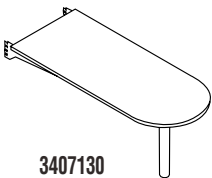
Description	Wt.	Low-Pressure Laminate Model No.	Low-Pressure Laminate List Price	Laminate List Price	Post Formed List Price	ESD Laminate List Price
<b>Maytrix™ Desk Work Surface</b> (includes mounting brackets) (36"D surfaces include adjustable front support legs)						
				"L" Suffix	"P" Suffix	"LE" Suffix
Work surface, 24"W x 30"D	24#	<b>3402430</b>	\$337	\$438	\$536	\$621
Work surface, 30"W x 30"D	30#	<b>3403030</b>	\$380	497	\$590	\$685
Work surface, 36"W x 30"D	34#	<b>3403630</b>	\$422	\$545	\$642	\$740
Work surface, 48"W x 30"D	45#	<b>3404830</b>	\$504	\$665	\$761	\$870
Work surface, 54"W x 30"D	45#	<b>3405430</b>	\$576	\$751	\$845	\$990
Work surface, 60"W x 30"D	56#	<b>3406030</b>	\$657	\$835	\$930	\$1057
Work surface, 72"W x 30"D	78#	<b>3407230</b>	\$716	\$908	\$1005	\$1138
Work surface, 90"W x 30"D	96#	<b>3409030</b>	\$908	\$1166	\$1264	\$1423
Work surface, 24"W x 36"D	29#	<b>3402436</b>	\$454	\$516	\$648	\$678
Work surface, 30"W x 36"D	33#	<b>3403036</b>	\$485	\$662	\$679	\$740
Work surface, 36"W x 36"D	42#	<b>3403636</b>	\$540	\$643	\$738	\$849
Work surface, 48"W x 36"D	64#	<b>3404836</b>	\$603	\$781	\$878	\$1035
Work surface, 54"W x 36"D	66#	<b>3405436</b>	\$753	\$882	\$979	\$1162
Work surface, 60"W x 36"D	67#	<b>3406036</b>	\$755	\$981	\$1076	\$1295
Work surface, 72"W x 36"D	75#	<b>3407236</b>	\$854	\$1070	\$1164	\$1412
Work surface, 90"W x 36"D	90#	<b>3409036</b>	\$1056	\$1371	\$1470	\$1813



350220

Description	Wt.	Model No.	List Price
Adjustable front support leg - all work surfaces	4#	<b>350220</b>	\$125
Replacement top bracket (right) - 30"D and 36"D work surfaces	4#	<b>350321R</b>	\$68
Replacement top bracket (left) - 30"D and 36"D work surfaces	4#	<b>350321L</b>	\$68
Replacement top bracket (right) - all 24"D work surfaces	4#	<b>350327R</b>	\$67
Replacement top bracket (left) - all 24"D work surfaces	4#	<b>350327L</b>	\$67

**Note:** Adjustable front support leg recommended for all corner and 36" deep work surfaces.



3407130

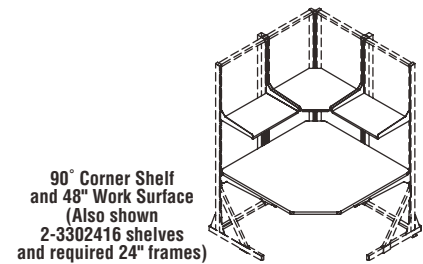
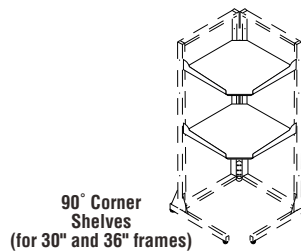
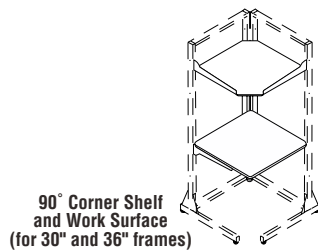
Description	Wt.	Low-Pressure Laminate Model No.	Low-Pressure Laminate List Price	Laminate Model No.	Laminate List Price	ESD Laminate Model No.	ESD Laminate List Price
<b>Maytrix™ Peninsula</b> (includes mounting brackets - hooks onto Maytrix™ frame)							
71"L x 30"W w/T-mold edge	83#	<b>3407130</b>	\$721	<b>3407130L</b>	\$921	<b>3407130LE</b>	\$1045

**Note:** Post-formed edge not available on peninsula surface. Surface height must be set nominally at 29".

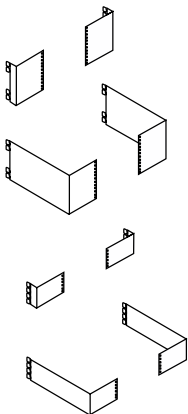
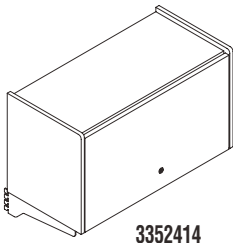
**Let Our Professional Design Staff Help You with Maytrix Space Planning. Call or visit our web site at [www.mayline.com](http://www.mayline.com)**

Model No.	Description	Wt.	List Price
<b>Maytrix™ Corner Components - Shelves</b>			
<b>3332416</b>	90° Steel corner shelf, 24"W x 16"D (requires two 24" frames)	20#	\$221
<b>3332420</b>	90° Steel corner shelf, 24"W x 20"D (requires two 24" frames)	22#	\$225
<b>3333016</b>	90° Steel corner shelf, 30"W x 16"D (requires two 30" frames)	22#	\$229
<b>3333616</b>	90° Steel corner shelf, 36"W x 16"D (requires two 36" frames)	25#	\$239
<b>3333020</b>	90° Steel corner shelf, 30"W x 20"D (requires two 30" frames)	25#	\$239
<b>3333620</b>	90° Steel corner shelf, 36"W x 20"D (requires two 36" frames)	28#	\$247

Description	Wt.	Low-Pressure	Low-Pressure	Laminate Model No.	Laminate List Price	ESD	ESD
		Laminate Model No.	Laminate List Price			Laminate Model No.	Laminate List Price
<b>Maytrix™ Corner Components - Work Surfaces</b>							
90° Corner work surface, 30"W x 30"D (requires two 30" frames; 350213L/350213R legs recommended)	30#	<b>3403030</b>	\$380	<b>3403030L</b>	\$497	<b>3403030LE</b>	685
90° Corner work surface, 36"W x 36"D (requires two 36" frames; 350213L/350213R legs recommended)	42#	<b>3403636</b>	\$540	<b>3403636L</b>	\$643	<b>3403636LE</b>	\$849
90° Corner work surface, 48"W x 30"D (requires four 24" frames)	42#	<b>3434830</b>	\$735	<b>3434830L</b>	\$894	<b>3434830LE</b>	\$1045
90° Corner work surface, 48"W x 36"D (requires four 24" frames)	70#	<b>3434836</b>	\$816	<b>3434836L</b>	\$977	<b>3434836LE</b>	\$1110
Corner connector kit (foot and hardware required for 90° corner configuration)	2#	<b>350217</b>	\$99	<b>350217</b>	\$99	<b>350217</b>	\$99

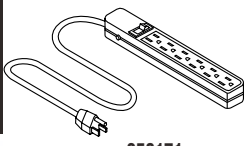


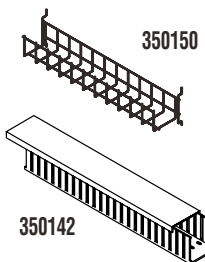
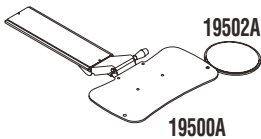
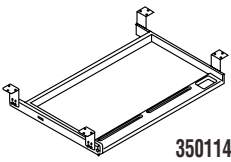
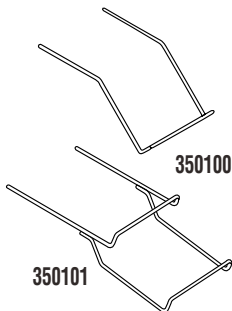
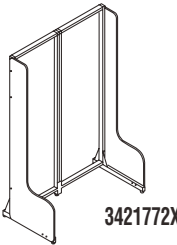
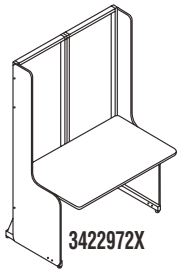
Description	Wt.	Low-Pressure	Low-Pressure	Laminate Model No.	Laminate List Price
		Laminate Model No.	Laminate List Price		
<b>Maytrix™ Media Storage Bin (includes mounting brackets and lock)</b>					
24"W Storage bin (internal dimensions: 13"H x 21 3/4"W x 13 1/4"D)	40#	<b>3352414</b>	\$683	<b>3352414L</b>	\$723
30"W Storage bin (internal dimensions: 13"H x 27 3/4"W x 13 1/4"D)	45#	<b>3353014</b>	\$693	<b>3353014L</b>	\$734
36"W Storage bin (internal dimensions: 13"H x 33 3/4"W x 13 1/4"D)	51#	<b>3353614</b>	\$714	<b>3353614L</b>	\$765



Model No.	Description	Wt.	List Price
<b>Maytrix™ 19" Rack Mount Brackets (Pair)</b>			
<b>Fits 24"W Frame</b>			
<b>350301</b>	3.5"H x 1.25"D (standard)	2#	\$59
<b>350302</b>	3.5"H x 12.5"D (deep)	4#	\$78
<b>350303</b>	7"H x 1.25"D	3#	\$75
<b>350304</b>	7"H x 12.5"D	8#	\$100
<b>Fits 30"W Frame</b>			
<b>350311</b>	3.5"H x 1.25"D	3#	\$59
<b>350312</b>	3.5"H x 12.5"D	6#	\$78
<b>350313</b>	7"H x 1.25"D	4#	\$75
<b>350314</b>	7"H x 12.5"D	10#	\$100

<b>Maytrix™ Accessories</b>			
<b>350171</b>	Surge protector (6 outlets) - 45 joules	1#	\$19
<b>350172</b>	48"L, 16 outlet power strip, 15 amp, 15' cord	4#	\$229
<b>350173</b>	Power strip, 4 ft. (10 outlets) with surge suppressor, 15 amp - 450 joules	5#	\$271





Description	Wt.	Low-Pressure Laminate Model No.	Low-Pressure Laminate List Price	Laminate Model No.	Laminate List Price
<b>Maytrix™ Decorative Side Panels - Pair</b>					
<i>Tall panels for stations including a 30"D work surface</i>					
60"H pair	28#	<b>3422960X</b>	\$572	<b>3422960XL</b>	\$756
72"H pair	44#	<b>3422972X</b>	\$609	<b>3422972XL</b>	\$790
84"H pair	50#	<b>3422984X</b>	\$623	<b>3422984XL</b>	\$818
<i>Tall panels for stations including a 36"D work surface</i>					
60"H pair	32#	<b>3422860X</b>	\$599	<b>3422860XL</b>	\$897
72"H pair	50#	<b>3422872X</b>	\$635	<b>3422872XL</b>	\$907
84"H pair	69#	<b>3422884X</b>	\$671	<b>3422884XL</b>	\$918
<i>Short panels for stations with no work surface</i>					
60"H pair	20#	<b>3421760X</b>	\$572	<b>3421760XL</b>	\$778
72"H pair	30#	<b>3421772X</b>	\$609	<b>3421772XL</b>	\$790
84"H pair	40#	<b>3421784X</b>	\$642	<b>3421784XL</b>	\$818

Model No.	Description	Wt.	List Price
<b>Maytrix™ Wall Mount Bracket</b>			
<b>350324</b>	To attach 24" frame to wall studs	6#	\$85
<b>350330</b>	To attach 30" frame to wall studs	7#	\$92
<b>350336</b>	To attach 36" frame to wall studs	8#	\$97

Model No.	Description	Wt.	List Price
<b>Maytrix™ Keyboard Accessories</b>			
<b>350100</b>	Wire keyboard holder, single unit. Fits 16"D shelf. Chrome.	3#	\$100
<b>350118</b>	Wire keyboard holder, single unit. Fits 20"D shelf. Chrome.	3#	\$95
<b>350101</b>	Wire keyboard holder, dual unit. Fits 16"D shelf. Chrome.	4#	\$172
<b>350119</b>	Wire keyboard holder, dual unit. Fits 20"D shelf. Chrome.	4#	\$165
<b>350114</b>	Under surface keyboard drawer. Fits 16"D shelf. Almond only.	5#	\$82
<b>350120</b>	Under surface keyboard drawer. Fits 20"D shelf. Almond only.	5#	\$86
<b>19500A</b>	Retractable keyboard platform 19 1/2"W x 11"D. Black only. +15° to -15° tilt, 360° swivel.	10#	\$261
<b>19502A</b>	Optional Mouse Platform for 19500A, +15° to -15° tilt, 360° swivel, 8"W x 9"D	2#	\$104
<b>350115</b>	Stack bracket for mounting two keyboard drawers. Gray only.	2#	\$51
<b>350116</b>	Mouse tray (8 1/2"W x 11"H). Available in all paint colors.	4#	\$161

Model No.	Description	Wt.	List Price
<b>Maytrix™ Cable Management System</b>			
<b>350142</b>	2"W x 2"D channel (slotted), 6 ft. - black only	3#	\$131
<b>350143</b>	2"W x 4"D channel (slotted), 6 ft. - black only	3#	\$197
<b>350144</b>	3"W x 3"D channel (slotted), 6 ft. - black only	4#	\$212
<b>350117</b>	Pop rivets - pkg. of 25 (to attach cable channels)	1#	\$12
<b>350150</b>	24"W Wire Cable Trough	1#	\$92
<b>350151</b>	30"W Wire Cable Trough	2#	\$120
<b>350152</b>	36"W Wire Cable Trough	2.5#	\$161

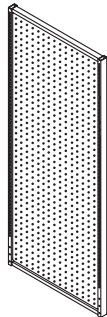
**FLAT PANEL MONITOR SUPPORT BRACKET**



Model No.	Description	Wt.	List Price
<b>FPD012M</b>	Monitor Support – Two Arms	4#	\$269
<b>FPD011M</b>	Monitor Support – One Arms	2#	\$219
<b>FPD010M</b>	Monitor Support – No Arms	1#	\$149

**MAYTRIX FABRIC SCREEN**

- Installs between Maytrix steel frame sections to create a private work environment.



Model No.	Dimensions	Wt.	List Price
<b>350440</b>	24"W x 72"H x 1 1/4"D	58#	\$670
<b>350445</b>	30"W x 72"H x 1 1/4"D	75#	\$854
<b>350450</b>	36"W x 72"H x 1 1/4"D	92#	\$897
<b>350460</b>	24"W x 60"H x 1 1/4"D	48#	\$605
<b>350465</b>	30"W x 60"H x 1 1/4"D	62#	\$789
<b>350470</b>	36"W x 60"H x 1 1/4"D	76#	\$832
<b>350480</b>	24"W x 84"H x 1 1/4"D	68#	\$756
<b>350485</b>	30"W x 84"H x 1 1/4"D	88#	\$940
<b>350490</b>	36"W x 84"H x 1 1/4"D	107#	\$983

**HOW TO ORDER MAYTRIX™ FABRIC SCREENS**

**FABRIC SCREEN OPTIONS**

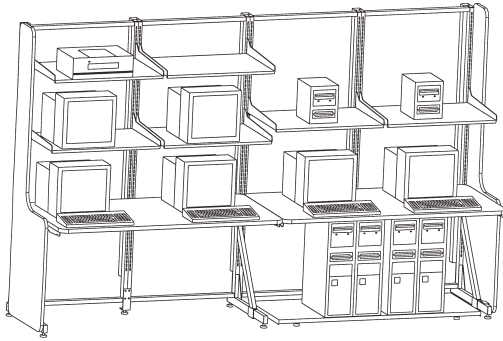
When ordering fabric screens, use the code at right to indicate your fabric option:

3	5	0	4	4	0	S	T	Y
Product Code						Fabric Option		

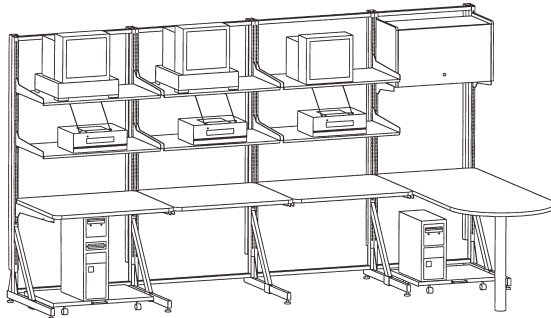
**Corporate Fabric**

Fabric Color	Order Code
<b>Spinel</b>	
Tiger Eye	STY
Sand Stone	SSS
Guilden	SGL
<b>Lido</b>	
Balboa	LBB
Heartland	LHL
Bryce Canyon	LBC
<b>Mingle</b>	
Crystal	MCT
Khaki	MHK
Biscuit	MBT
<b>Cross Town</b>	
Buff	CBF
Ray	CRA
Fieldstone	CFS
<b>Anchorage</b>	
Goose	AGS
<b>Bailey</b>	
Khaki	BKH
<b>Hopscotch</b>	
Fieldstone	HFS

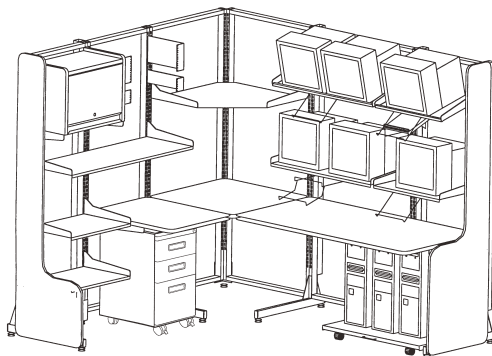
Access to ALL standard Guilford of Maine fabrics are available with a maximum 4-week production lead time for a nominal upcharge. Contact a Mayline Group customer service representative for more information.



QTY.	DESCRIPTION	MODEL NO.	LIST PRICE
4	Frame, 30"W x 72"H	3203072	\$1716
2	Foot, Center Support	350212	\$120
2	Leg, Single Right	350213R	\$390
1	Leg, Single Left	350213L	\$195
2	Frame Brace, Right	350325R	\$194
1	Frame Brace, Left	350325L	\$97
6	Flat Shelf, 30"W x 20"D	3303020	\$1134
1	Floor Shelf, 54"W x 21"D	3326021	\$291
1	Floor Shelf Glide Kit	350216	\$38
2	Worksurface, Mel. 60"W x 30"D	3406030	\$1314
1	Power Strip, 4' (10 Outlets)	350172	\$229
5	Cable Channel Slotted, 2"W x 2"D x 6'	350142	\$655
1	Side Panel Pair, Tall 72" Mel.	3422972X	\$609
<b>Total List Price</b>			<b>\$6,982.00</b>



QTY.	DESCRIPTION	MODEL NO.	LIST PRICE
1	Frame, 30"W x 72"H	3203072	\$429
3	Frame, 36"W x 72"H	3203672	\$1314
4	Leg, Single Right	350320R	\$780
1	Leg, Single Left	350320L	\$195
4	Frame Brace, Right	350325R	\$388
1	Frame Brace, Left	350325L	\$97
6	Flat Shelf, 36"W x 20"D	3303620	\$1374
1	Floor Shelf, 24"W x 21"D	3323021	\$248
1	Floor Shelf, 30"W x 21"D	3323621	\$251
2	Floor Shelf Caster Kit	350218	\$64
3	Worksurface, Mel. 36"W x 30"D	3403630	\$1266
1	Worksurface, Mel. Peninsula 71"W x 30"D	3407130	\$721
3	Wire Keyboard Holder, Single Unit for 20"D Shelf	350118	\$285
1	Power Strip, 4' (10 Outlets) w/Surge Suppressor	350173	\$271
5	Cable Channel Slotted, 2"W x 2"D x 6'	350142	\$655
1	Media Storage Bin Mel. 30"W	3353014	\$693
<b>Total List Price</b>			<b>\$9,031.00</b>



QTY.	DESCRIPTION	MODEL NO.	LIST PRICE
3	Frame, 24"W x 72"H	3202472	\$1266
2	Frame, 30"W x 72"H	3203072	\$858
1	Frame, 36"W x 72"H	3203672	\$438
2	Foot, Center Support	350212	\$120
2	Leg, Single Right	350213R	\$390
2	Leg, Single Left	350213L	\$390
3	Flat Shelf, 24"W x 16"D	3302416	\$420
1	Flat Shelf, 36"W x 16"D	3303616	\$218
1	Flat Shelf, 48"W x 16"D	3304816	\$315
1	Tilt Shelf, 24"W x 16"D	3312416	\$211
1	Tilt Shelf, 36"W x 16"D	3313616	\$278
1	Floor Shelf, 30"W x 21"D	3323621	\$251
1	Floor Shelf Caster Kit	350218	\$32
1	Worksurface, Mel. 24"W x 30"D	3402430	\$337
1	Worksurface, Mel. 30"W x 30"D	3403030	\$380
1	Worksurface, Mel. 60"W x 30"D	3406030	\$657
3	Wire Keyboard Holder, Single Unit for 16"D Shelf	350100	\$300
1	Wire Keyboard Holder, Dual Unit for 16"D Shelf	350101	\$172
1	Mouse Tray	350116	\$161
4	Cable Channel Slotted, 2"W x 2"D x 6'	350142	\$524
1	Corner Connector Kit for 90 Deg. Corner	350217	\$99
1	Corner Shelf 90 Deg., 30"W x 16"D	3333016	\$229
1	Rack Mount Brackets 3 1/2"H x 12 1/2"D	350302	\$78
1	Rack Mount Brackets 7"H x 12 1/2"D	350304	\$100
1	Pedestal, B/B/F	C8824B	\$414
1	Mobile Kit for Pedestal	C8824M	\$58
1	Media Storage Bin Mel. 24"W	3352414	\$683
1	Side Panel RH, Tall 72"H Mel.	3422972R	\$302
1	Side Panel LH, Short 72"H Mel.	3421772L	\$302
<b>Total List Price</b>			<b>\$9,983.00</b>



**e\*LAN COMPUTER RACKING STATIONS**

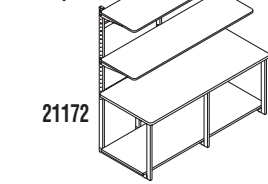
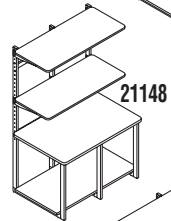
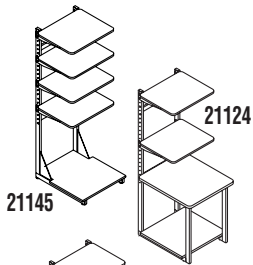
Affordable racking stations for organizing networking hardware and equipment.

**Framework:** 1" x 2" x 72"H, 14-gauge steel. Frames allow for shelf adjustment in 2" increments. Tested to 600 lbs. per 24"/36" frame without failure.

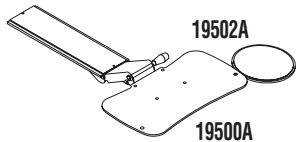
**Shelves:** Thermally-fused low-pressure laminate over 3/4"-thick particle board core. Shelves tested to 250 lbs. without failure.

**Work surfaces:** Thermally-fused low-pressure laminate over 1" thick particle board core. Post-formed tops not available.

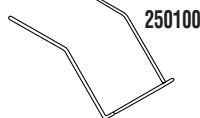
**Color:** Graphite paint finish with Ice Gray low-pressure laminate surfaces only.



**Note:** EACH STATION SHIPS IN ONE CARTON.



19500A



250101



Model No.	Description	Wt.	List Price
* 21145	<b>24" Server Station</b> 24"W framework; (4) 24"W x 20"D shelves; and (1) 24"W x 29 1/2"D server shelf.	108#	\$664
* 21124	<b>24" LAN Station</b> 24"W framework; (2) 24"W x 20"D shelves; (1) 24"W x 30"D work surface; and (1) 24"W x 24 3/4"D server shelf.	111#	\$894
* 21148	<b>48" LAN Station</b> 48"W framework; (2) 48"W x 20"D shelves; (1) 48"W x 30"D work surface; and (1) 47"W x 24 3/4"D server shelf.	200#	\$1536
* 21172	<b>72" LAN Station</b> 72"W framework; (2) 72"W x 20"D shelves; (1) 72"W x 30"D work surface; and (1) 71"W x 24 3/4"D server shelf.	253#	\$1915
* 211CNR	<b>48" Corner Station</b> 48"W corner framework; (2) 48"W x 20"D corner shelves; (1) 48"W x 30"D corner work surface; and (1) 48"W x 24 3/4"D corner server shelf.	298#	\$2025

Model No.	Description	Wt.	List Price
-----------	-------------	-----	------------

**e\*LAN Accessories**

**Additional Shelving**

* 2202418	24"W x 20"D shelf	15#	\$125
* 2204818	48"W x 20"D shelf	28#	\$188
* 2207218	72"W x 20"D shelf	38#	\$209

**Keyboard Supports**

* 19500A	Retractable keyboard platform 19 1/2"W x 11"D. Black only. +15° to -15° tilt, 360° swivel.	14#	\$261
* 19502A	Optional Mouse Platform for 19500A, +15° to -15° tilt, 360° swivel, 8"W x 9"D	2#	\$104
* 250100	Wire keyboard holder. Chrome finish. 18"W x 9"D x 7"H	3#	\$83
* 250101	Dual wire keyboard holder. Chrome finish. 18"W x 9"D x 10"H	4#	\$142

**Cable Management**

* 350142	2" x 2" cable manager, 6 ft. — light gray only.	3#	\$131
----------	---	----	-------

**Caster Kits**

* 21100	Caster kit for 24"W stations (3" casters)	4#	\$75
* 21101	Caster kit for 48"W and 72"W stations (3" casters)	5#	\$110
* 21103	Caster kit for corner unit (3" casters)	6#	\$146

**Power Strips**

* 21104	24"W power strip, 8 outlet, 15 amp, 15 ft. cord	4#	\$166
* 21105	48"W power strip, 16 outlet, 15 amp, 15 ft. cord	5#	\$189
* 21106	72"W power strip, 24 outlet, 15 amp, 15 ft. cord	6#	\$239
* 21107	e*LAN connector kit for ganging LAN and corner stations (will not work on 21145 Server Station)	2#	\$69

Model No.	Description	Wt.	List Price
FPD012E	Monitor Support – Two Arms	4#	\$269
FPD011E	Monitor Support – One Arms	2#	\$219
FPD010E	Monitor Support – No Arms	1#	\$149

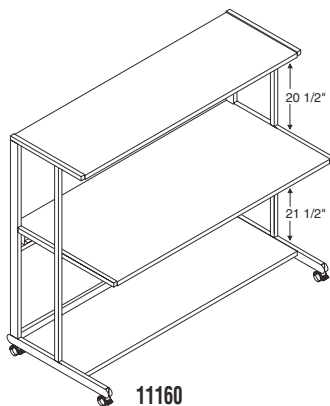


## NETSTART LAN SUPPORT STATIONS

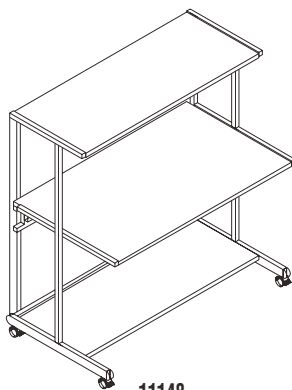
High quality, affordable LAN support stations. Steel frame construction with laminate shelves and worksurfaces. LAN Stations able to accommodate 19" monitors between worksurface and upper shelf.

- Optional casters, two locking.
- Server station has two adjustable shelves.
- Graphite paint, Light Gray low-pressure laminate surfaces only.
- Shelves & surfaces able to support 150# each.
- All LAN stations 50"H x 30"D.
- All stations ship complete in one carton.
- Shelves are 20"D, work surfaces are 29"D.

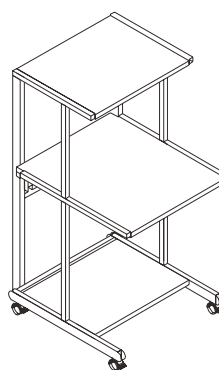
Model No.	Description	Wt.	List Price
* 11160	60" LAN Station (actual width 62")	125#	\$1135
* 11148	48" LAN Station (actual width 50")	79#	\$1022
* 11124	24" LAN Station (actual width 24")	60#	\$624
* 11145	24" Server Station (24"W x 27"D x 60"H)	60#	\$453
* 21102	Set of 4 casters (2" casters)	2#	\$71



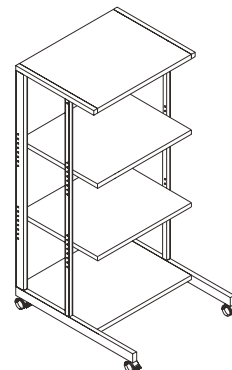
11160



11148



11124



11145

Models shown with optional casters.



# *Small Office/Home Office*

---



---

**Personal Computer  
Workstations  
Machine Stands**

# EASTWINDS™ COMPUTER FURNITURE

Mayline Customer Service: 1-800-822-8037

## EASTWINDS COMPUTER FURNITURE

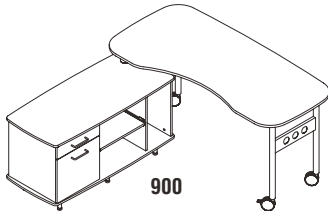
Eastwinds computer furniture is designed for the technology-driven office and adaptable to a variety of environments.

Framework: Metallic Gray, powder-coated steel frames.

Surfaces: Vacuum-formed thermofoil in Anthracite (ANT) or Medium Cherry (MEC).

All models ship UPS except: 900, 905, 915, 8000DV.

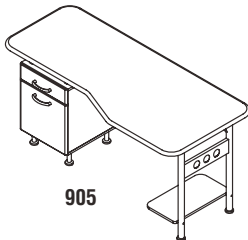
### LATTE ROTARY PC DESK WITH CREDENZA



- Credenza features slide-out printer shelf, box-file pedestal and space for CPU.
- Desk surface swings over credenza to free up floor space.

Model No.	Dimensions	Wt.	List Price
* 900	68"W x 57"D x 29"H	142#	\$629

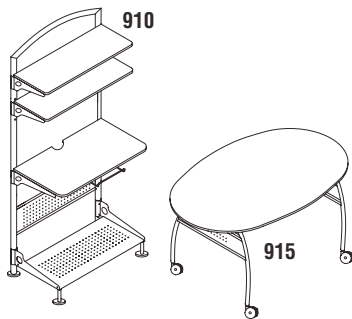
### ESPRESSO PC DESK WITH FILE



- Box-file pedestal.
- Floor-supported CPU shelf.
- Distinctive styling

Model No.	Dimensions	Wt.	List Price
* 905	63"W x 28 3/4"D x 29"H	132#	\$499

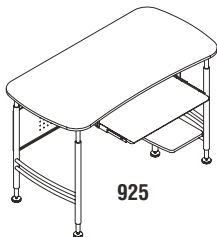
### TECHNIQUE WALL SYSTEM AND TABLE



- 910 Wall system has work surface with wire keyboard holder. Middle shelf adjusts to 3 positions. Perforated-steel lower CPU shelf.
- 915 Mobile table has oval top and can nest under monitor shelf or be used independently. Table is mobile on 4 casters, two locking.

Model No.	Dimensions	Wt.	List Price
* 910	33"W x 22 1/2"D x 72 1/2"H	72#	\$259
* 915	55"W x 31 1/2"D x 29"H	41#	\$259

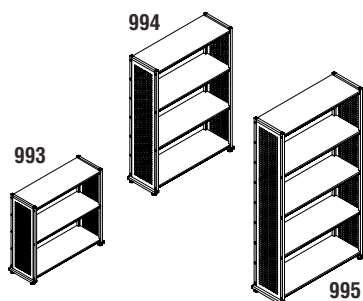
### SANTOS PC DESK



- Slide-out keyboard tray.
- Includes perforated-steel modesty panel.
- CPU shelf mounts to either inside or outside right-hand leg.

Model No.	Dimensions	Wt.	List Price
* 925	47 1/4"W x 23 1/2"D x 29"H	46#	\$349

### ACCENT SHELVING

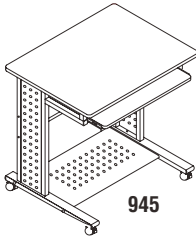


- Perforated-steel uprights with thermofoil shelves.
- Standard with either 3, 4 or 5 fixed shelves.

Model No.	Description	Dimensions	Wt.	List Price
* 993	3-Shelf	31 1/4"W x 11"D x 31"H	40#	\$129
* 994	4-Shelf	31 1/4"W x 11"D x 44 1/2"H	50#	\$139
* 995	5-Shelf	31 1/4"W x 11"D x 58"H	60#	\$149

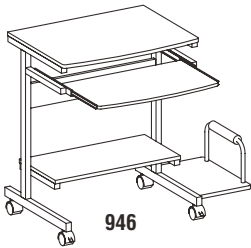
**EMPIRE MOBILE PC STATION**

Mayline Customer Service: 1-800-822-8037



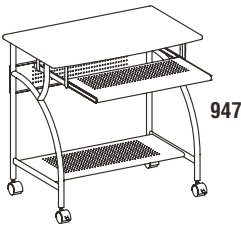
- Slide-out keyboard tray.
- Perforated-steel CPU shelf.
- Totally mobile on 4 casters, 2 locking.

Model No.	Dimensions	Wt.	List Price
* 945	29 3/4"W x 23 1/2"D x 29 3/4"H	41#	\$134

**PORTRAIT PC DESK CART**

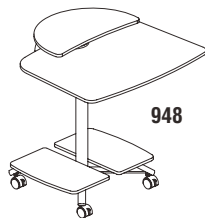
- Slide-out keyboard tray with mouse platform.
- CPU platform mounts left or right.
- Totally mobile on 5 casters, 2 locking.

Model No.	Dimensions	Wt.	List Price
* 946	36 1/2"W x 19 1/4"D x 31"H	50#	\$134

**ARGO PC WORKSTATION**

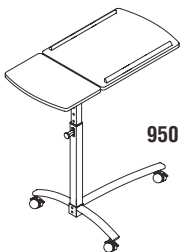
- Perforated steel slide-out keyboard tray and CPU shelf.
- Totally mobile on 4 casters, 2 locking.

Model No.	Dimensions	Wt.	List Price
* 947	31 1/2"W x 19 3/4"D x 30 1/4"H	48#	\$134

**FPD COMPUTER TABLE**

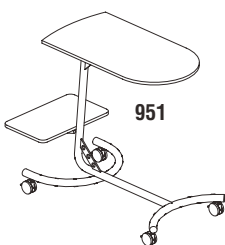
- Raised flat panel platform.
- Printer and CPU platforms.
- CD holder.
- Totally mobile on 4 locking casters.

Model No.	Dimensions	Wt.	List Price
* 948	28 1/2"W x 26"D x 29 1/2"H	20#	\$134

**LAPTOP CADDY**

- Height adjustable steel frame.
- Split top tilts for ergonomic use.
- Mobile on 3 locking casters.

Model No.	Dimensions	Wt.	List Price
* 950	29 1/2"W x 15"D x 20-32"H	27#	\$134

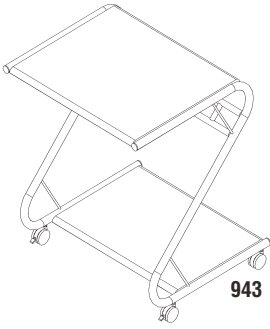
**LAPTOP CADDY II**

- Tubular steel frame.
- Printer shelf.
- Totally mobile on 4 casters.

Model No.	Dimensions	Wt.	List Price
* 951	36"W x 18"D x 29"H	15#	\$134

**FPD Z-FRAME STATION**

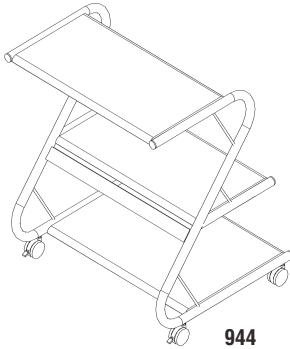
Mayline Customer Service: 1-800-822-8037



- Computer station for CPU tower, flat screen monitor, keyboard and printer.
- Mobile on 4 casters, 2 locking.
- 2-Shelf.

Model No.	Description	Dimensions	Wt.	List Price
943	FPD Station	23 1/2"W x 22 1/4"D x 28 1/2"H	20#	\$129

**LAPTOP Z-FRAME STATION**



- Computer station for laptop and printer.
- Mobile on 4 casters, 2 locking.
- 3-Shelf.

Model No.	Description	Dimensions	Wt.	List Price
944	Laptop Station	23 1/2"W x 19 1/2"D x 28 1/2"H	20#	\$129

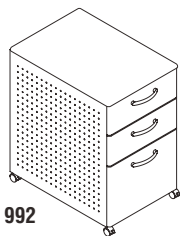
**HIGH WIRE CART**



- Multi-purpose cart for small machines, projectors, etc.
- Slide-out wire basket, steel posting shelf and three additional shelves along with adjustable flip-up shelf.
- Mobile on 4 casters, 2 locking.

Model No.	Dimensions	Wt.	List Price
* 955	23 1/2"W x 15"D x 37 1/2"H	22#	\$159

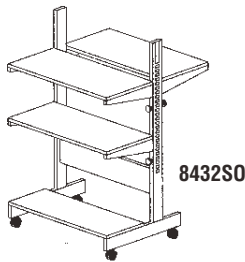
**PEDESTALS**



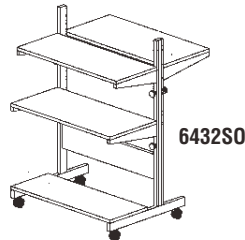
- Attractive thermofoil surface treatments on drawer fronts and tops match workstations.
- Sides feature perforated steel.
- Ball-bearing suspensions for quiet, smooth drawer operation.
- Mobile on 5 casters, 2 locking.

Model No.	Description	Dimensions	Wt.	List Price
* 992	Box-Box-File	15"W x 22"D x 27 1/2"H	70#	\$259

## SOHO ADJUSTABLE COMPUTER TABLE



8432SO



6432SO

- All frames painted Black.
- Shelves are adjustable to an infinite amount of locations between 14 to 48 inches. No tools required.
- Adjustable Shelves: 32" x 15", Bottom Shelf: 31 1/4" x 11 3/4".
- 2" Casters provided (two locking).
- Easily reconfigures for other family members or office partners.
- Ships UPS.

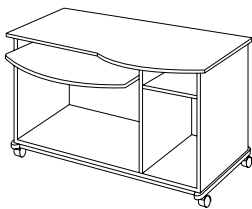
**Small Office** (Shelves support 100 lbs. each) Medium Cherry or Gray surfaces **only**.

Model No.	Dimensions	Wt.	List Price
* 8432SO	32"W x 31"D x 50"H, 4 shelves	65#	\$375

**Home Office** (Shelves support 75 lbs. each) Gray surface only.

Model No.	Dimensions	Wt.	List Price
* 6432SO	32"W x 31"D x 48"H, 4 shelves	60#	\$339
* 6332SO	32"W x 31"D x 48"H, 3 shelves	60#	\$309

## ERGONOMICALLY DESIGNED COMPACT WORKSTATION. IDEAL FOR PERSONAL COMPUTERS

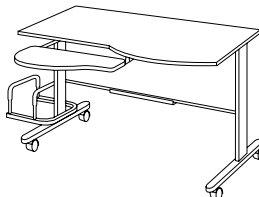


- All laminate construction.
- Steel reinforced base adds strength and durability.
- Retractable keyboard includes mouse area.
- Will fit CPU towers up to 11 1/2" wide x 24" high.
- Includes one adjustable shelf.
- 4 casters provided (two Locking).

Model No.	Dimensions	Wt.	List Price
* 8000DU	47 1/4"W x 24"D x 29 1/2"H	84#	\$425

*Available in Gray, Medium Cherry, and Anthracite Only.*

## MOBILE COMPUTER WORKTABLE

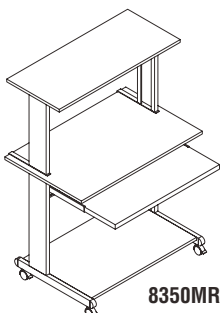


- Laminate worksurface.
- Retractable keyboard tray with integrated wrist rest and pencil tray.
- Perforated modesty panel adds strength.
- CPU holder may be mounted on left or right and adjusts to fit CPU towers up to 9 1/2" wide.
- 2" casters provided (two Locking).

Model No.	Dimensions	Wt.	List Price
* 8100TD	47 1/4"W x 23 1/2"D x 29"H	49#	\$369

*Available in Gray/Dove Gray, Medium Cherry/Metallic Gray and Anthracite/Metallic Gray Only.*

## MOBILE MULTIMEDIA COMPUTER WORKSTATION



8350MR

- Steel and laminate construction provides strength and durability.
- Full-width retractable platform supports both a keyboard and mouse.
- Large bottom shelf supports CPU towers, left or right.
- 2" casters provided (two Locking).

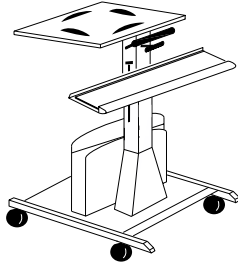
Model No.	Dimensions	Wt.	List Price
* 8350MR	36 3/4"W x 21 1/4"D x 50"H	72#	\$425

*Available in Gray/Dove Gray, Medium Cherry/Metallic Gray and Anthracite/Metallic Gray Only.*



**THE SIT/STAND WORKSTATION ALLOWS USERS TO WORK IN A SITTING OR STANDING POSITION**

Mayline Customer Service: 1-800-822-8037



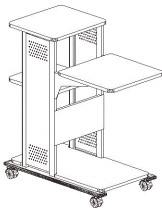
- Infinite monitor platform height adjustments from 36" - 40" H.
- 28"W x 9"D keyboard platform accommodates keyboard and mouse pad.
- Keyboard platform with built-in wrist rest tilts 18° in either direction, adjusts 24" - 30" H.
- Monitor tray has built-in clamping system to hold monitor with base up to 12" x 15".
- 4" Dual wheel casters, two with locks.
- Pneumatic cylinder assists in raising and lowering the unit.
- 42 lb. monitor capacity, 25 lb. keyboard capacity.
- CPU adjusts to 8".

Model No.	Dimensions	Wt.	List Price
<b>2500SS</b>	28"W x 33"D x 40"H	70#	\$1087

**PRESENTATION STAND**

- Designed to support laptops, overhead projector, or LCD projector.
- Front surface supporting projectors is adjustable to three positions: 31", 33" and 37"H.
- Standard casters, two locking.
- Top surface is 38 1/2"H providing a comfortable position for standing presentations.
- Rugged steel frame construction with attractive perforated leg detail. All threaded, metal-to-metal connections.
- Ships UPS.

**Standard Finishes:** Black frame with reversible Anthracite/Folkstone surfaces.

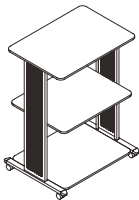


Model No.	Dimensions	Wt.	List Price
* <b>1010PC</b>	18 1/2"W x 36"D x 38 1/2"H	75#	\$420

**AUDIO/VISUAL CART**

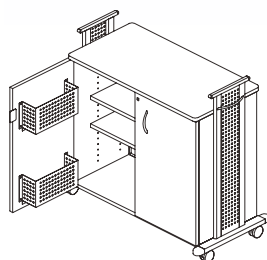
- Designed to support up to 35"TV / Monitor and other A/V equipment.
- All three shelves measure 36 1/2"W x 26"D x 3/4"H.
- Middle shelf adjustable on 2" increments to 5 positions.
- Includes standard safety strap and 4-outlet power module.
- Rugged steel frame construction with attractive perforated leg detail. All threaded, metal-to-metal connections.
- Standard 3" dia. Casters, two locking.
- 400 lb. capacity

**Standard Finishes:** Black frame with reversible Anthracite/Folkstone surfaces.



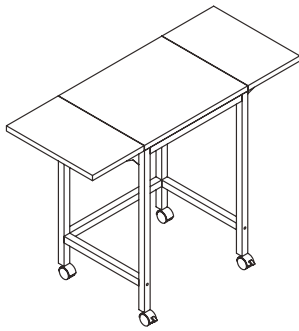
Model No.	Dimensions	Wt.	List Price
* <b>1010AV</b>	36 1/2"W x 32 1/2"D x 42 1/2"H	91#	\$544

**HOSPITALITY CART**



- Consistent design details with the 1010PC and 1010AV.
- Comes standard with two adjustable shelves.
- Locking casters provide easy mobility.
- Left-side door has two perforated steel storage pockets sized perfectly for 2 liter bottles.
- Doors have self-closing cabinet hinges, attractive door pull, and standard lock.
- Handle provided on both left and right legs at a comfortable operating height.
- Easy to assemble using quarter-turn cam fasteners.
- **Standard Finishes:** Black frame with Anthracite surfaces and shelves.

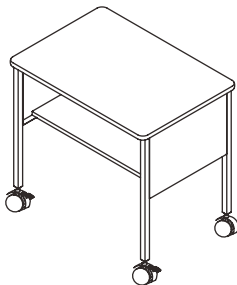
Model No.	Dimensions	Wt.	List Price
* <b>1015HC</b>	45 1/2"L x 21 3/4"W x 44 1/8"H	158#	\$675



- Steel and low-pressure laminate construction.
- Two 9"W x 15"D drop leaves are standard.
- Wheel type casters, two with locks.
- Ships UPS.
- **Finishes:** Oak low-pressure laminate with Putty paint and Walnut low-pressure laminate with Black paint **only**.

Model No.	Dimensions	Wt.	List Price
* 7711WT	18"W x 15"D x 27"H	22#	\$129

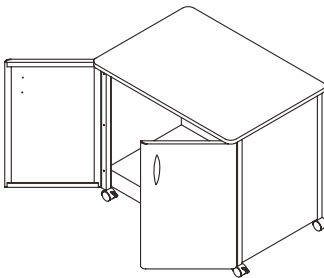
**THE 2140CA OFFERS A COMPACT WORK SURFACE  
IDEAL FOR WORD PROCESSING EQUIPMENT**



- Steel construction, thermafoil top and a 12" deep shelf.
- Square tubing legs with dual wheel casters, two with locks.
- 200# weight capacity.
- Ships UPS.
- **Finishes:** Anthracite/Metallic Gray, Gray thermafoil with Dove Gray paint or Oak/Putty thermafoil with Putty paint **only**.

* Model No.	Dimensions	Wt.	List Price
2140CA	30"W x 21"D x 26 1/2"H	39#	\$185

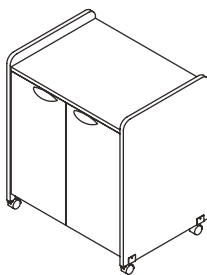
**MOBILE UTILITY CABINETS WITH STEEL EXTERIOR**



- All steel cabinet with low-pressure laminate top.
- Roll formed steel doors.
- Casters for mobility (2 locking).
- Does not include interior middle shelf.
- 150# weight capacity.
- Ships UPS.
- **Finishes:** Gray low-pressure laminate with Dove Gray paint and Oak low-pressure laminate with Putty paint **only**.

Model No.	Dimensions	Wt.	List Price
* 2160MU	30"W x 21"D x 26 1/2"H	64#	\$325

**MOBILE UTILITY CABINETS WITH LAMINATE EXTERIOR**



- Top surface is large enough for copiers, fax machines or coffee machines 25 1/2" wide x 20" deep.
- All low-pressure laminate sides, doors and top. Steel back, shelf and bottom.
- Interior shelf adjusts in height in four positions in 2" increments.
- Hinged doors provide 110° swing.
- 1 5/8" dual wheel casters add mobility (two locking).
- 150# weight capacity.
- Ships UPS.
- Surfaces standard in Mahogany and Nebula Gray **only**. Black paint.

Model No.	Dimensions	Wt.	List Price
* 2110MU	27"W x 20"D x 31"H	89#	\$325



Mayline Group's 72-Hour Kwik-Ship program features over 200 standard items. Orders are guaranteed to ship within 72 hours from receipt of order. Orders are limited to 5 of any single model with no limitation to the total number of models per order. Kwik-Ship products are designated throughout the price list by a '\*' symbol to the left of the model number. Available Kwik-Ship colors are listed at the beginning of each product line section.



# ***Drafting Furniture***

---



---

**Drawing Tables  
Straightedges  
Vertical Hanging Files  
Plan Files**

# DRAWING TABLES

Mayline Customer Service: 1-800-822-8037

## RANGER® STEEL FOUR-POST & SPLIT-TOP

**Drawing Boards:** Thermally fused Birch woodgrain low-pressure laminate with steel end cleats only. Includes paper apron.

**Top Height:** 37" from floor.

**Tilt Angle:** 50° from horizontal.

**Available Options:**

**Tool Drawer:** Comes with insert tray and lock with two keys.

**Shallow Plan Drawer:** Convenient storage for papers and reference materials. Not available with the split-top table.

Table is shipped knocked down.

**Kwik-Ship Paint Finish:** Desert Sage

**Drawer Dimensions:**

**Tool Drawer**

**Shallow Drawer**

**Table 7734B**

**Table 7736B**

**All other tables**

**Height**  
3 3/8"

**Width**  
10 3/8"

**Depth**  
27 3/8"

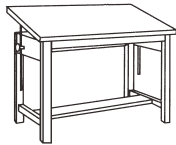
1 5/8" 24 1/4" 27 3/8"

1 5/8" 36 1/4" 27 3/8"

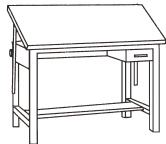
1 5/8" 48 1/4" 27 3/8"

**Woodgrain  
Low-Pressure  
Laminate Top  
List Price**

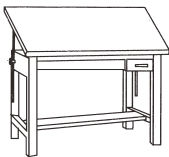
Model No.	Description	Wt.	
<b>Ranger Steel Four-Post</b> Table only. No drawers.			
7732	30" x 42"	108#	\$883
7734	37 1/2" x 48"	118#	\$948
7736	37 1/2" x 60"	157#	\$997
7737	37 1/2" x 72"	167#	\$1208
7738	43 1/2" x 72"	177#	\$1326
7739	43 1/2" x 84"	185#	\$1472



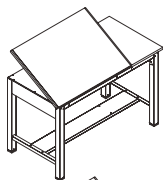
<b>Ranger Steel Four-Post A Combination</b> Table with tool drawer only.			
7732A	30" x 42"	134#	\$1027
7734A	37 1/2" x 48"	146#	\$1101
7736A	37 1/2" x 60"	160#	\$1129
7737A	37 1/2" x 72"	177#	\$1248
7738A	43 1/2" x 72"	187#	\$1419
7739A	43 1/2" x 84"	195#	\$1526



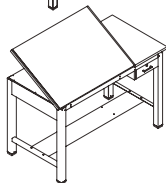
<b>Ranger Steel Four-Post B Combination</b> Table with tool and shallow drawers.			
7734B	37 1/2" x 48"	156#	\$1197
* 7736B	37 1/2" x 60"	172#	\$1271
7737B	37 1/2" x 72"	194#	\$1366
7738B	43 1/2" x 72"	204#	\$1547
7739B	43 1/2" x 84"	212#	\$1689



<b>Ranger Split-Top</b> Table only. No drawers.			
7772	30" x 60"	150#	\$1437
7773	30" x 72"	160#	\$1561



<b>Ranger Split-Top A Combination.</b> Table with tool drawer only.			
7772A	30" x 60"	155#	\$1688
7773A	30" x 72"	165#	\$1813



## ECONOMY RANGER® STEEL FOUR-POST

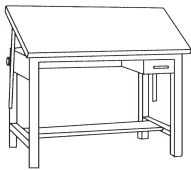
Mayline Customer Service: 1-800-822-8037

**Drawing Board:** Wood core with thermally fused Fog Gray low-pressure laminate surface.

**Top Height:** 37" from floor.

**Tilt Angle:** 50° from horizontal.

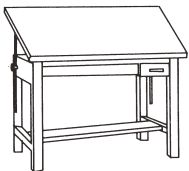
**Available Options:** Tool Drawer, Shallow Plan Drawer (locks not available).



Model No.	Description	Wt.	Woodgrain Low-Pressure Laminate List Price
<b>Economy Ranger Steel Four-Post</b> Table only. No drawers.			
<b>7724</b>	38 1/2" x 48"	110#	\$868
<b>7726</b>	38 1/2" x 60"	150#	\$885

**Economy Ranger Steel Four-Post A" Combination** Table with tool drawer only.

<b>7724A</b>	38 1/2" x 48"	138#	\$1034
<b>7726A</b>	38 1/2" x 60"	152#	\$1059



**Economy Ranger Steel Four-Post B" Combination** Table with tool and shallow drawers.

<b>7724B</b>	38 1/2" x 48"	148#	\$1101
<b>7726B</b>	38 1/2" x 60"	160#	\$1133

## WOOD FOUR-POST

**Drawing Tops:** Thermally fused Birch low-pressure laminate with steel end cleats.

**Top Height:** 37" from floor.

**Tilt Angle:** 50° from horizontal.

**Available Options:**

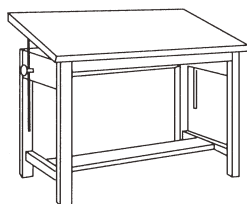
**Tool Drawer:** Equipped with removable insert tray, individual lock with two keys.

**Shallow Plan Drawer:** Storage drawer for papers and reference materials.

**Table is shipped knocked down.**

**Drawer Dimensions:**  
**Tool Drawer**  
**Shallow Plan Drawer**  
**Table 7704-B**  
**Table 7706-B**  
**Table 7707-B**

Height	Width	Depth
3 3/4"	10 3/4"	25"
1 7/8"	24"	25"
1 7/8"	36 3/4"	25"
1 7/8"	46"	25"



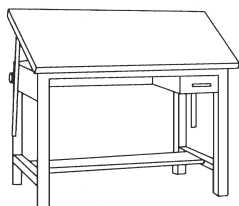
Model No.	Description	Wt.	Woodgrain Low-Pressure Laminate List Price
<b>Wood Four-Post only. No drawers.</b>			
<b>7704</b>	37 1/2" x 48"	118#	\$1730
<b>7706</b>	37 1/2" x 60"	137#	\$1821
<b>7707</b>	37 1/2" x 72"	154#	\$1963
<b>7708</b>	43 1/2" x 72"	164#	\$2082
<b>7709</b>	43 1/2" x 84"	172#	\$2307

**Finishes:** Standard - Naturalist, Golden Oak, Unfinished

**Wood Four-Post A Combination** with tool drawer.

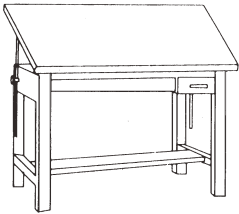
<b>7704A</b>	37 1/2" x 48"	127#	\$1929
<b>7706A</b>	37 1/2" x 60"	147#	\$2021
<b>7707A</b>	37 1/2" x 72"	164#	\$2161
<b>7708A</b>	43 1/2" x 72"	174#	\$2286
<b>7709A</b>	43 1/2" x 84"	182#	\$2501

**Finishes:** Standard - Naturalist, Golden Oak, Unfinished



**WOOD FOUR-POST**

Mayline Customer Service: 1-800-822-8037



Model No.	Description	Wt.	List Price
<b>Wood Four-Post B Combination</b> with tool and shallow drawers.			
7704B	37 1/2" x 48"	140#	\$2055
7706B	37 1/2" x 60"	160#	\$2120
7707B	37 1/2" x 72"	172#	\$2275
7708B	43 1/2" x 72"	182#	\$2399
7709B	43 1/2" x 84"	190#	\$2620

**Finishes:** Standard - Naturalist, Golden Oak, Unfinished

**FORESTER WOOD FOUR-POST**

**Drawing Tops:** Thermally fused Birch woodgrain low-pressure laminate.

**Base:** Select hardwoods.

**Top Height:** 7602-7603 - 30" from floor.

7604-7606 - 37" from floor.

**Tilt Angle:** 50° from horizontal.

**Available Options:**

**Front Storage Compartment 7610:** Ideal for drawing tools and accessories. Secures neatly beneath lower right-hand side of table.



Model No.	Description	Wt.	Woodgrain Low-Pressure Laminate Top List Price
<b>Forester Wood Four-Post, Finished</b>			
7602F	24" x 36", 30" high	46#	\$771
7603F	30" x 42", 30" high	52#	\$796
7604FT	37 1/2" x 48", 37" high, with standard footrest	80#	\$1072
7606FT	37 1/2" x 60", 37" high, with standard footrest	92#	\$1136

**Finish:** Naturalist

**White Low-Pressure Laminate Top**

7602PF	24" x 36", 30" high	52#	\$742
7603PF	30" x 42", 30" high	59#	\$796

**Finish:** Naturalist



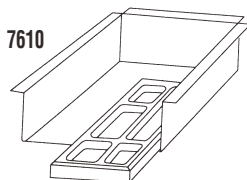
## FORESTER WOOD FOUR-POST

Mayline Customer Service: 1-800-822-8037



7603

Model No.	Description	Wt.	List Price
<b>Forester Wood Four-Post, Unfinished</b>			
<b>7602</b>	24" x 36", 30" high	46#	\$725
<b>7603</b>	30" x 42", 30" high	52#	\$783
<b>7604T</b>	37 1/2" x 48", 37" high, with standard footrest	80#	\$1048
<b>7606T</b>	37 1/2" x 60", 37" high, with standard footrest	92#	\$1109
Finish: Unfinished			
<b>White Low-Pressure Laminate Top</b>			
<b>7602P</b>	24" x 36", 30" high	52#	\$725
<b>7603P</b>	30" x 42", 30" high	59#	\$783
Finish: Unfinished			
<b>Accessories</b>			
<b>7610</b>	Frontal Storage Compartment 10"W x 12 1/4"D x 3 1/4"H	1#	\$68
<b>Footrests</b>			
<b>7611</b>	(Tables 7604-06) Unfinished	4#	\$92
<b>7612</b>	(Tables 7602-03) Unfinished	3#	\$90
<b>7611F</b>	(Tables 7604-06) Natural	4#	\$105
<b>7612F</b>	(Tables 7602-03) Natural	3#	\$98



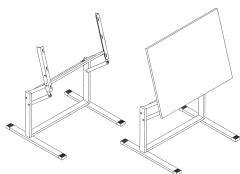
7610

## DUAL ADJUSTMENT DRAFTING TABLE

**Base:** Steel. Counter balanced adjustable spring torsion mechanism. Adjustable glides. Black only.  
**Height Range:** 31 3/4" to 44 3/4".

**Tilt Angle:** Horizontal to vertical.

**Drawing Board:** Thermally fused low-pressure laminate in Birch woodgrain and Fog Gray only, with steel end cleats. Includes paper apron.



Model No.	Description	Wt.	List Price
<b>3748</b>	37 1/2"D x 48"W (top)	133#	\$1147
<b>3760</b>	37 1/2"D x 60"W (top)	144#	\$1208

## ART TABLES

**Drawing Boards:** Thermally fused low-pressure laminate in white finish. Tables are shipped knocked down.

**Height adjustments for pedestal tables:**  
**Stoway** - 15", from 29" - 44"

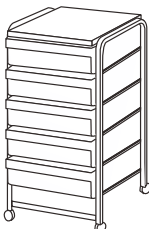


Model No.	Description	Wt.	List Price
<b>Stoway Table</b>			
<b>7402AP</b>	24" x 36" White top	46#	\$284
<b>7403AP</b>	30" x 42" White top	54#	\$297
<b>7404</b>	36" x 48" White top	70#	\$341

Base Colors: White, Black only

## ORGANIZER CART

Mobile storage cart constructed of high impact plastic drawers in a sturdy metal frame.



Model No.	Description	Wt.	List Price
<b>Organizer Cart</b>			
<b>7454</b>	Organizer Cart, topped with a 14"W x 16"D low-pressure laminate top. Drawers measure 11 3/4"W x 16"D x 3 1/2"H. Black frame/white drawers.	25#	\$221

**FUTUR-MATIC® DRAWING TABLES**

Mayline Customer Service: 1-800-822-8037

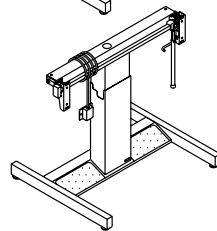
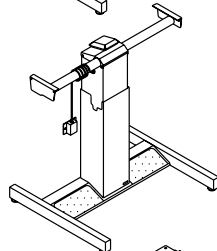
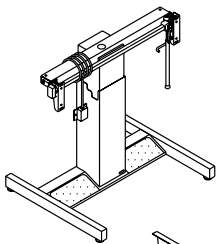
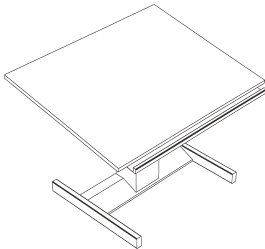
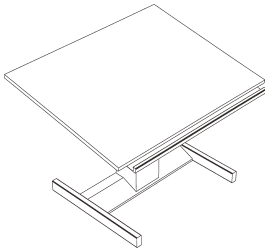
**Drawing Boards:** Thermally fused Fog Gray or Birch low-pressure laminate with steel end cleat. Hardwood pencil trough.

**Top Height Range:** 18" travel range, 30" to 48".

**Tilt Angle:** Horizontal to near vertical.

**Electrical System:** Standard 60 Hz, 110V, AC motor. Optional 50 Hz, 220V, AC motor. (European-Schuko plug configuration.) Nine foot 3-wire power cord.

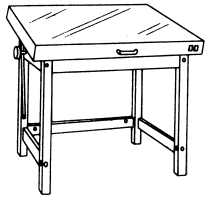
**FM T/C Drive System:** 250 pounds of lifting capacity and 150 foot pounds of tilting torque. All gear drive. No belts or pulleys.



Model No.	Description	Wt.	Woodgrain Low-Pressure Laminate Top List Price
<b>Futur-Matic with electric height and manual tilt adjustment.</b>			
8693B	30" x 42"	160#	\$3571
8694B	37 1/2" x 48"	180#	\$3832
8695B	37 1/2" x 54"	185#	\$3880
8696B	37 1/2" x 60"	190#	\$3923
8697B	37 1/2" x 72"	242#	\$4028
8698B	43 1/2" x 72"	260#	\$4123
<b>Futur-Matic T/C with electric height and tilt adjustment.</b>			
8594B	37 1/2" x 48"	222#	\$4669
8595B	37 1/2" x 54"	234#	\$4713
8596B	37 1/2" x 60"	240#	\$4767
8597B	37 1/2" x 72"	246#	\$4872
8598B	43 1/2" x 72"	256#	\$4956
<b>Power Bases with 29" - 47" height adjustment. Power height. Manual tilt.</b>			
81370A4	(w/o bd. brackets)	104#	\$2886
3117	Board brackets for 81370A4	10#	\$103
Also available as 220V model Board brackets sold separately. Required for addition of all work surfaces.			
<b>Power Bases with 25" - 39" height adjustment. Power height.</b>			
81270A4	25"H, w/manual tilt (without board brackets)	150#	\$2944
8027AK4	25"H, w/o tilt (includes brackets)	150#	\$2904
3113	Board brackets for 81270A4	10#	\$120
3115	Board brackets for 80271K3 and 85270A4 bases	6#	\$64

Vertical travel range is 14", 25" to 39".

**NOTE:** Mounting hole patterns for digitizer tablets vary from manufacturer to manufacturer and require different brackets. Please contact your digitizer tablet dealer or manufacturer first to obtain this information before ordering.



Model No.	Top Size	Wt.	List Price
<b>Forester Light Table.</b>			
<b>7603LT</b>	23 7/8" x 36 3/8", brushed steel finish on light box Wood Four-Post light table w/removable portable light box top.	59#	\$1746
<b>Finishes:</b> Standard - Naturalist, Unfinished			

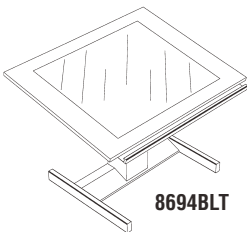
**LIGHT TABLES**

**Drawing Boards:** Self-contained light box with translucent 1/8" acrylic diffuser panel, 1/4" clear glass and Maple frame with Naturalist finish.

**Dimming Control Range:** 0 - 325 foot candles, with solid state, full-range dimming control.

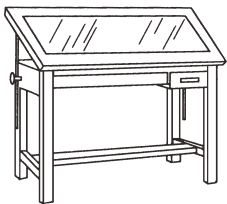
**Lighting:** 30" x 36" Four 30W Tubes (supplied) or 30" x 48" Four 40W Tubes (supplied). All tubes must be cool white rapid-start only.

**Electrical Requirements:** 120V, 60 Hz, 2.0 Amps.



8694BLT

Model No.	Top Size	Glass Size	Wt.	List Price
<b>Futur-Matic Light Tables</b> with electric height adjustment and manual tilt adjustment.				
<b>Straight Painted Legs</b>				
<b>8694BLT</b>	37 1/2" x 48"	30" x 36"	276#	\$7094
<b>8696BLT</b>	37 1/2" x 60"	30" x 48"	296#	\$7337
<b>Base Color:</b> Standard - Black				



<b>Ranger Steel Four-Post Light Tables</b> with tool and shallow drawer units.				
<b>7734BLT</b>	37 1/2" x 48"	30" x 36"	250#	\$4512
<b>7736BLT</b>	37 1/2" x 60"	30" x 48"	256#	\$4767
<b>Colors:</b> Standard - White, Desert Sage, Gray				

<b>Replacement Light Tops</b>				
<b>20627R3</b>	37 1/2" x 48"	30" x 36"	126#	\$3465
<b>20628R3</b>	37 1/2" x 60"	30" x 48"	146#	\$3716

**Note:** Glass used is 1/4" thick clear with swiped edges. When purchasing light tops separately, specify what type table is being used so proper hardware is supplied.

**Finishes:** Standard - Naturalist

Model No.	Description	Wt.	List Price
-----------	-------------	-----	------------

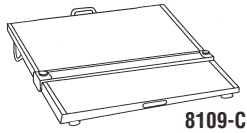
### PROFESSIONAL DRAWING KITS (PROKITS)

#### White Low-Pressure Laminate Top w/Transparent Edge Kit Rule

<b>8109CP</b>	18" x 24"	12#	\$187
<b>8111CP</b>	15" x 20"	8#	\$179
<b>8112CP</b>	21" x 26"	15#	\$193
<b>8113CP</b>	24" x 30"	19#	\$206
<b>8114CP</b>	24" x 36"	22#	\$218
<b>8115CP</b>	30" x 42"	31#	\$272

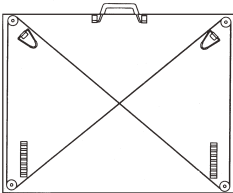
#### White Low-Pressure Laminate Top w/Armoredge® Kit Rule

<b>8109CPSE</b>	18" x 24"	12#	\$206
<b>8111CPSE</b>	15" x 20"	8#	\$212
<b>8112CPSE</b>	21" x 26"	15#	\$218
<b>8113CPSE</b>	24" x 30"	19#	\$239
<b>8114CPSE</b>	24" x 36"	22#	\$254
<b>8115CPSE</b>	30" x 42"	31#	\$325



#### Woodgrain Low-Pressure Laminate w/Transparent Edge Kit Rule

<b>8109C</b>	18" x 24"	12#	\$212
<b>8111C</b>	15" x 20"	8#	\$206
<b>8112C</b>	21" x 26"	15#	\$217
<b>8113C</b>	24" x 30"	19#	\$230
<b>8114C</b>	24" x 36"	22#	\$244
<b>8115C</b>	30" x 42"	31#	\$307



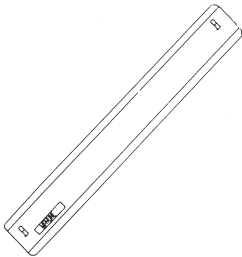
### REPLACEMENT RULES FOR PROFESSIONAL DRAWING KITS

#### Transparent Edge Rules

<b>10714</b>	20" Kit Rule	0.3#	\$50
<b>10709</b>	24" Kit Rule	0.4#	\$52
<b>10715</b>	26" Kit Rule	0.4#	\$55
<b>10716</b>	30" Kit Rule	0.6#	\$65
<b>10717</b>	36" Kit Rule	0.6#	\$75
<b>10718</b>	42" Kit Rule	0.8#	\$88

#### Armoredge® Kit Rules

<b>10714SE</b>	20" Kit Rule	0.3#	\$76
<b>10709SE</b>	24" Kit Rule	0.4#	\$85
<b>10715SE</b>	26" Kit Rule	0.4#	\$90
<b>10716SE</b>	30" Kit Rule	0.6#	\$105
<b>10717SE</b>	36" Kit Rule	0.6#	\$139
<b>10718SE</b>	42" Kit Rule	0.8#	\$146

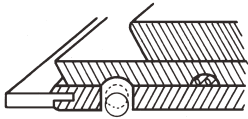


# STRAIGHTEDGES

Mayline Customer Service: 1-800-822-8037

## MAYLINE STRAIGHTEDGE SPECIFICATIONS

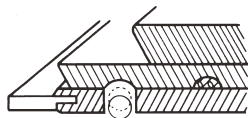
Delrin rollers best for Mylar and Metal for Vellum and other paper medium.



Model No.	Length		Wt.	List Price
<b>Mobile Parallel Ruling Straightedge w/E-Z Grip Cap with Metal Rollers</b>				
7271A	36"		2.6#	\$244
7272A	42"		2.9#	\$255
7273A	48"	Above-board	3.3#	\$291
7275A	60"	mounting hardware included	4.1#	\$382

### Mobile Parallel Ruling Straightedge w/E-Z Grip Cap & Armoredge® with Metal Rollers

7271ASE	36"		2.5#	\$314
7272ASE	42"		2.9#	\$335
7273ASE	48"	Above-board	3.3#	\$377
7275ASE	60"	mounting hardware included	4.1#	\$503

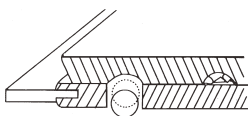


### Mobile Parallel Ruling Straightedge w/E-Z Grip Cap with Delrin Rollers

D7270A	30"		2.3#	\$240
D7271A	36"		2.6#	\$251
D7272A	42"		2.9#	\$261
D7273A	48"	Above-board	3.3#	\$293
D7275A	60"	mounting hardware included	4.1#	\$387

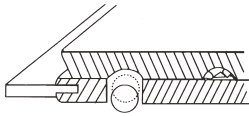
### Mobile Parallel Ruling Straightedge w/E-Z Grip Cap & Armoredge® with Delrin Rollers

D7271ASE	36"		2.5#	\$328
D7272ASE	42"		2.9#	\$338
D7273ASE	48"	Above-board	3.3#	\$351
D7275ASE	60"	mounting hardware included	4.1#	\$482



### Mobile Parallel Ruling Straightedge with Metal Rollers

7260A	30"		1.9#	\$177
7261A	36"		2.1#	\$188
7262A	42"		2.4#	\$198
7263A	48"	Above-board	2.7#	\$209
7265A	60"	mounting hardware included	3.3#	\$272



Model No.	Length		Wt.	List Price
<b>Mobile Parallel Ruling Straightedge w/Armoredge® with Metal Rollers</b>				

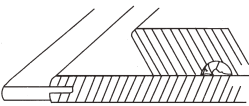
<b>7261ASE</b>	36"		2.2#	\$276
<b>7262ASE</b>	42"		2.4#	\$287
<b>7263ASE</b>	48"	Above-board mounting hardware included	2.8#	\$297
<b>7265ASE</b>	60"		3.4#	\$360

<b>Mobile Parallel Ruling Straightedge with Delrin Rollers</b>				
--	--	--	--	--

<b>D7260A</b>	30"		1.9#	\$173
<b>D7261A</b>	36"		2.1#	\$184
<b>D7262A</b>	42"	Above-board mounting hardware included	2.4#	\$194
<b>D7263A</b>	48"		2.8#	\$205
<b>D7265A</b>	60"		3.4#	\$247

<b>Mobile Parallel Ruling Straightedge w/Armoredge® with Delrin Rollers</b>				
---	--	--	--	--

<b>D7261ASE</b>	36"		2.2#	\$282
<b>D7262ASE</b>	42"		2.4#	\$293
<b>D7263ASE</b>	48"	Above-board mounting hardware included	2.8#	\$303
<b>D7265ASE</b>	60"		3.4#	\$356



<b>E-Z Grip Parallel Ruling Straightedge</b>				
--	--	--	--	--

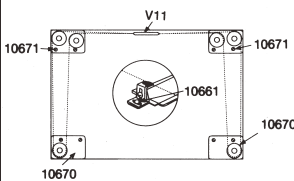
<b>7250A</b>	30"		1.7#	\$167
<b>7251A</b>	36"		2.0#	\$177
<b>7252A</b>	42"	Above-board mounting hardware included	2.3#	\$188
<b>7253A</b>	48"		2.6#	\$198
<b>7255A</b>	60"		3.1#	\$261

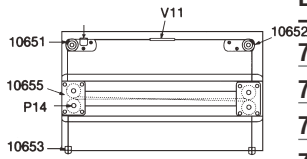
<b>E-Z Grip Parallel Ruling Straightedge w/Armoredge®</b>				
---	--	--	--	--

<b>7251ASE</b>	36"		2.0#	\$257
<b>7252ASE</b>	42"		2.3#	\$268
<b>7253ASE</b>	48"	Above-board mounting hardware included	2.6#	\$278
<b>7255ASE</b>	60"		3.1#	\$352

<b>Conversion Kit</b>				
-----------------------	--	--	--	--

<b>7302D</b>	Conversion Kit – includes complete hardware and mounting attachments to convert any size above-board straightedge to underboard.		1.0#	\$104
--------------	--	--	------	-------





The numbers indicated in the illustration are for part identification only.

Model No.	Length	Wt.	List Price
<b>E-Z Grip Blade Only w/Armoredge®</b>			
7251SE	36"	0.4#	\$179
7252SE	42"	0.4#	\$192
7253SE	48"	0.4#	\$216
7253SE	60"	0.4#	\$258

**Underboard Attachment**

7302A	30" to 42"	0.6#	\$78
7302B	48" to 72"	0.6#	\$83
7302C	84" to 96"	0.6#	\$85

**Above Board Attachment Only**

7301A	30" to 42"	0.4#	\$64
7301B	48" to 72"	0.4#	\$69
7301C	84" to 96"	0.4#	\$74

**Hardware Bags**

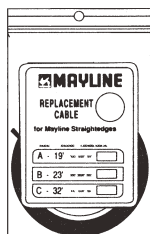
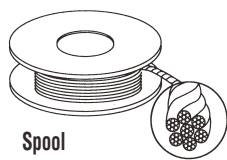
7306	Replacement hardware bag for above-board straightedge (Edgemount)	0.5#	\$29
7307	Hardware for mold edge surfaces	1.0#	\$71
7308	Hardware bag for above-board straightedge (Surface Mount)	1.0#	\$29

**7 x 7 Lubricated Stainless Steel Cable w/Nylon Coating**

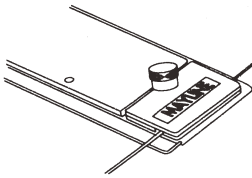
7355100	100' Spool	0.5#	\$61
7355300	300' Spool	0.8#	\$166
7355A	Replacement Cable for 30" - 42" straightedge, 19 feet	0.1#	\$21
7355B	Replacement Cable for 48" - 60" straightedge, 23 feet	0.1#	\$26
7355C	Replacement Cable for 72" - 96" straightedge, 32 feet	0.1#	\$37

Cut to length coils. Save time in measuring, cutting, and coiling. Pre-packed.

**Note:** For all types of parallel ruling attachments. Braided wire is corrosion resistant with fiberglass core. Outside diameter .035".







Model No.	Description	Wt.	List Price
<b>Straightedge Brake</b>			
7305	Parallel Ruling Straightedge Brake for all Mayline above-board blades; 2 brakes per package.	0.1#	\$35

One slight twist of the knob locks the straightedge into position enabling complete freedom of hands for use of lettering sets or inking. Also prevents loss of position due to bumping or adjusting table.  
**Note:** Standard on all new above-board straightedges.

**Touch Up Paint**

9552	Must specify color, some not available.	1.0#	\$30
------	---	------	------

Touch up paint matched for all Mayline metal finishes. Available in 12 oz. pressurized spray cans. Ground shipment only.

**Drawing Vinyl**

9501V	24" x 30"	4#	\$57
9511V	30" x 36"	45#	\$71
9503V	30" x 42"	5#	\$76
9504V	37 1/2" x 48"	10#	\$117
9506V	37 1/2" x 60"	15#	\$135
9507V	37 1/2" x 72"	18#	\$162

**Color:** Green on one side, Off-White other side. For clear vinyl, add C suffix.  
 When ordering drawing vinyl with tables, we will apply it to your table top with doublefaced tape along the top edge only for an additional \$100 list. Never cement vinyl to your drawing top. May cause warpage or damage.

# VERTICAL HANGING FILES

Mayline Customer Service: 1-800-822-8037

Ideal choice for economical, mobile filing of active documents.

**Rolling Stands:** Constructed of tubular steel finished with an electrostatically applied high solid polyester paint. Front locking casters.

**Clamps:** Spring-loaded metal mounting clips with metal wing knobs. Hold up to 100 sheets. Includes plastic ID holders and cards.

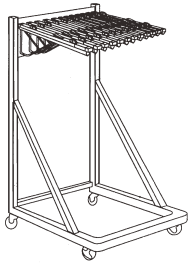
**Hangers:** Metal pivot hangers for easy removal of clamps.

## Model No.

### Vertical File Rolling Stand Complete

	Max. Filing Width	Description	Wt.	List Price
* 9321	18"	Rolling stand w/12 hangers and clamps	63#	\$969
* 9322	24"	Rolling stand w/12 hangers and clamps	66#	\$1011
* 9323	30"	Rolling stand w/12 hangers and clamps	69#	\$1057
* 9324	36"	Rolling stand w/12 hangers and clamps	71#	\$1141
* 9325	42"	Rolling stand w/12 hangers and clamps	75#	\$1197
* 9329		Rolling stand only; Height adjusts to 60" Depth adjusts to 43". Width is 26 3/4".	39#	\$461
* 9329H		Rolling stand w/hangers (no clamps)	51#	\$638

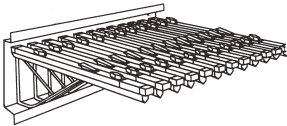
Color: Standard - Sand Beige



### Vertical File Wall Rack Complete

	Max. Filing Width	Description	Wt.	List Price
9301	18"	Wall rack w/12 hangers and clamps	46#	\$617
9302	24"	Wall rack w/12 hangers and clamps	48#	\$662
9303	30"	Wall rack w/12 hangers and clamps	50#	\$706
9304	36"	Wall rack w/12 hangers and clamps	54#	\$790
9305	42"	Wall rack w/12 hangers and clamps	58#	\$843
9309		Wall rack only; 10 1/4"H x 23 1/8"L	6.5#	\$67
9309H		Wall rack w/12 hangers (no clamps)	18.5#	\$280

Color: Standard - Sand Beige

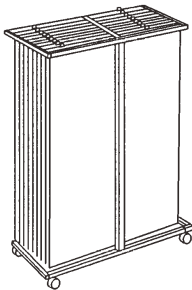


### Expandable Mobile Plan Center - Adjustable vertical file cart

	Max. Filing Width	Description	Wt.	List Price
9429	27" - 39"	Expandable file cart, 40"-52" H x 16" D 1200 sheet, 12 clamp capacity	25#	\$495

Note: Accepts clamps of 24", 30", and 36" length. (not included)

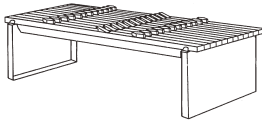
Color: Standard - Sand Beige



**VERTICAL HANGING FILES**

Mayline Customer Service: 1-800-822-8037

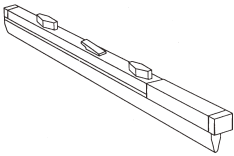
**Vertical File End Resting Wall Rack Complete**



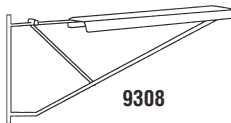
	Max. Filing Width	Description	Wt.	List Price
<b>9311</b>	18"	Wall rack with 12 clamps	18#	\$391
<b>9312</b>	24"	Wall rack with 12 clamps	22#	\$434
<b>9313</b>	30"	Wall rack with 12 clamps	24#	\$482
<b>9314</b>	36"	Wall rack with 12 clamps	28#	\$566
<b>9315</b>	42"	Wall rack with 12 clamps	32#	\$622
<b>9319</b>		Wall rack only for End Resting Clamps 8"H x 15"L	6#	\$68

**Color:** Standard - Sand Beige

**Clamps**

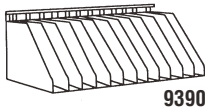


	Only	Size	Qty.	Wt.	List Price
*	<b>93316</b>	18"	6/ctn.	6#	\$163
*	<b>93326</b>	24"	6/ctn.	8#	\$185
*	<b>93336</b>	30"	6/ctn.	9#	\$205
*	<b>93346</b>	36"	6/ctn.	10#	\$247
*	<b>93356</b>	42"	6/ctn.	12#	\$273



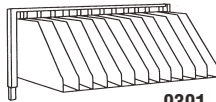
**9308**

	Hangers Only	Description	Wt.	List Price
<b>9308</b>		For clamps 9331 - 9335 packed 12 per carton	12#	\$235



**9390**

	Data File	Description	Wt.	List Price
<b>9390</b>		Wall rack w/12 Data Files.	28#	\$296
<b>9391</b>		Single Data File extension w/12 Data Files. Use with 9321-25	32#	\$352
<b>9397</b>		Data Files only. Packed 12 per carton.	22#	\$247
<b>9398</b>		Single Data File extension w/o Data Files. Use with 9321-25	10#	\$108



**9391**

	Vertical File Parts	Description	Wt.	List Price
<b>10550</b>		Knobs, 12 per package	.50#	\$38
<b>10551</b>		Springs, 12 per package	.50#	\$20
<b>10552</b>		T-Bolts, 12 per package	.50#	\$26
<b>10553</b>		Labels and Holders, 12 per package	1#	\$23

# PLAN FILES (NOTE: Not on GSA)

Mayline Customer Service: 1-800-822-8037

## C-FILES

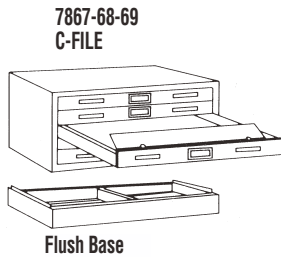
Self-contained steel C-Files® have integral cap and can be bolted together for stacking. Drawers have front metal plan depressor and rear hood to keep documents flat and orderly. (Dust covers optional.) High base designed to support one file. Drawer pulls are chrome. Five drawer units support up to 200 sheets per drawer. Ten drawer units support up to 100 sheets per drawer. Files stack three high on flush base, two high on high base.

**Kwik-Ship paint finishes:** Sand Beige, White, Black, Gray



### Model No.

### Mayline Self-Contained Steel C-Files®



		Overall Unit Sizes			Inside Drawer Sizes			Wt.	List Price
		W	H	D	W	H	D		
* <b>7867C</b>	Five-Drawer File	40 3/4"	15 3/8"	28 3/8"	37"	2"	25 3/4"	170#	\$1333
	Five-Drawer w/Dust Cover	40 3/4"	15 3/8"	28 3/8"	37"	2"	25 3/4"	177#	\$1480
* <b>7977C</b>	Ten-Drawer File	40 3/4"	15 3/8"	28 3/8"	37"	5/8"	25 3/4"	210#	\$2786
	Ten-Drawer w/Dust Covers	40 3/4"	15 3/8"	28 3/8"	37"	5/8"	25 3/4"	216#	\$3146
* <b>7877</b>	20" High Base with Bookshelf	40 3/4"	20"	28 3/8"	33 3/4"	-	14 1/2"	52#	\$535
* <b>7867W</b>	Flush Base	40 3/4"	4"	28 3/8"	-	-	-	14#	\$233



		Overall Unit Sizes			Inside Drawer Sizes			Wt.	List Price
		W	H	D	W	H	D		
* <b>7868C</b>	Five-Drawer File	46 3/4"	15 3/8"	35 3/8"	43"	2"	32 3/4"	220#	\$1549
	Five-Drawer File w/Dust Covers	46 3/4"	15 3/8"	35 3/8"	43"	2"	32 3/4"	229#	\$1696
* <b>7978C</b>	Ten-Drawer File	46 3/4"	15 3/8"	35 3/8"	43"	5/8"	32 3/4"	305#	\$2904
	Ten-Drawer w/Dust Covers	46 3/4"	15 3/8"	35 3/8"	43"	5/8"	32 3/4"	310#	\$3288
* <b>7878</b>	20" High Base with Bookshelf	46 3/4"	20"	35 3/8"	44 3/4"	-	14 1/2"	63#	\$607
* <b>7868W</b>	Flush Base	46 3/4"	4"	35 3/8"	-	-	-	16#	\$258

		Overall Unit Sizes			Inside Drawer Sizes			Wt.	List Price
		W	H	D	W	H	D		
* <b>7869C</b>	Five-Drawer File	53 3/4"	15 3/8"	41 3/8"	50"	2"	38 3/4"	275#	\$1847
	Five-Drawer File w/Dust Covers	53 3/4"	15 3/8"	41 3/8"	50"	2"	38 3/4"	279#	\$1996
* <b>7979C</b>	Ten-Drawer File	53 3/4"	15 3/8"	41 3/8"	50"	5/8"	38 3/4"	365#	\$3455
	Ten-Drawer w/Dust Covers	53 3/4"	15 3/8"	41 3/8"	50"	5/8"	38 3/4"	350#	\$3927
* <b>7879</b>	20" High Base with Bookshelf	53 3/4"	20"	41 3/8"	51 3/4"	-	14 1/2"	70#	\$668
* <b>7869W</b>	Flush Base	53 3/4"	4"	41 3/8"	-	-	-	18#	\$312

**HAMILTON UNIT SYSTEM™ FILES SPECIFICATIONS**

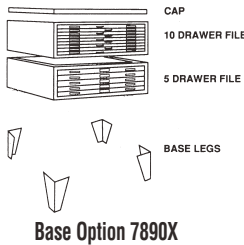


Mayline Customer Service: 1-800-822-8037

Interlocking steel plan files are designed for ease of stacking. Capacity of drawers may be increased by using Model No. 7965 and 7966 magnetic drawer dividers to arrange drawers for 1/2-, 1/4-, and 1/8-size drawing. Capacity - 1000 sheets vellum per file. Drawers have front metal plan depressor and rear hood to keep documents flat and orderly. Dust covers optional. 10-drawer files have patented tracing lifter for ease of retrieval. Able to stack three high.

**Model No.**

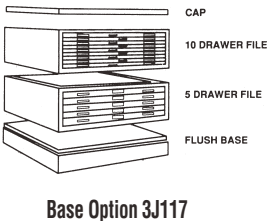
**Hamilton Unit System Files**



		Overall Unit Sizes			Inside Drawer Sizes			Wt.	List Price
		W	H	D	W	H	D		
<b>For 24" x 36" Sheets</b>									
	<b>1J1</b>	Flat Cap	43 5/16"	3/4"	33 1/4"	-	-	-	33# \$293
	<b>1J15</b>	Five-Drawer File	43 5/16"	15 3/8"	32 1/2"	39 1/2"	2"	29"	188# \$1734
	<b>1J15D</b>	5-Drawer w/Dust Covers	43 5/16"	15 3/8"	32 1/2"	39 1/2"	2"	29"	195# \$1919
	<b>1J117</b>	Flush Base	43 5/16"	4"	32 1/2"	-	-	-	14# \$276
	<b>1J100</b>	Ten-Drawer File	43 5/16"	15 3/8"	32 1/2"	37 1/2"	3/4"	29"	421# \$5207
	<b>7890X</b>	Base Legs (set of 4)	-	6"	-	-	-	-	15# \$209
	<b>7890Y</b>	Base Legs (set of 4)	-	19 3/8"	-	-	-	-	45# \$450

		Overall Unit Sizes			Inside Drawer Sizes			Wt.	List Price
		W	H	D	W	H	D		
<b>For 30" x 42" Sheets</b>									
	<b>2J1</b>	Flat Cap	49 5/16"	3/4"	39 1/4"	-	-	-	44# \$366
	<b>2J15</b>	Five-Drawer File	49 5/16"	15 3/8"	38 1/2"	45 1/2"	2"	35"	233# \$2052
	<b>2J15D</b>	5-Drawer w/Dust Covers	49 5/16"	15 3/8"	38 1/2"	45 1/2"	2"	35"	242# \$2245
	<b>2J117</b>	Flush Base	49 5/16"	4"	38 1/2"	-	-	-	16# \$350
	<b>2J100</b>	Ten-Drawer File	49 5/16"	15 3/8"	38 1/2"	43 1/2"	3/4"	35"	492# \$6203
	<b>7890X</b>	Base Legs (set of 4)	-	6"	-	-	-	-	15# \$209
	<b>7890Y</b>	Base Legs (set of 4)	-	19 3/8"	-	-	-	-	45# \$450

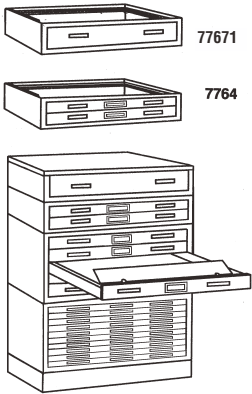
		Overall Unit Sizes			Inside Drawer Sizes			Wt.	List Price
		W	H	D	W	H	D		
<b>For 36" x 48" Sheets</b>									
	<b>3J1</b>	Flat Cap	55 5/16"	3/4"	45 1/4"	-	-	-	51# \$450
	<b>3J15</b>	Five-Drawer File	55 5/16"	15 3/8"	44 1/2"	51 1/2"	2"	41"	293# \$2356
	<b>3J15D</b>	5-Drawer w/Dust Covers	55 5/16"	15 3/8"	44 1/2"	51 1/2"	2"	41"	304# \$2548
	<b>3J117</b>	Flush Base	55 5/16"	4"	44 1/2"	-	-	-	18# \$420
	<b>3J100</b>	Ten-Drawer File	55 5/16"	15 3/8"	44 1/2"	49 1/2"	3/4"	41"	635# \$7157
	<b>7890X</b>	Base Legs (set of 4)	-	6"	-	-	-	-	15# \$209
	<b>7890Y</b>	Base Legs (set of 4)	-	19 3/8"	-	-	-	-	45# \$450



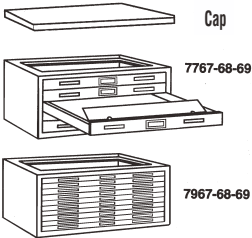
		Overall Unit Sizes			Inside Drawer Sizes			Wt.	List Price
		W	H	D	W	H	D		
<b>For 42" x 72" Sheets</b>									
	<b>4J1</b>	Flat Cap	79 5/16"	3/4"	51 1/4"	-	-	-	103# \$1258
	<b>4J15D</b>	5-Drawer w/Dust Covers	79 5/16"	15 3/8"	50 1/2"	75 1/2"	1 1/2"	47"	525# \$6997
	<b>4J17</b>	Flush Base	79 5/16"	4"	50 1/2"	-	-	-	92# \$1083

(Use Flush Base only.)

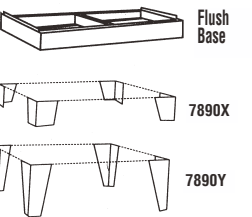
Available as five or ten-drawer stackable, interlocking units. Available with either front plan depressor or coated fabric dust covers. Stores up to 1,000 sheets. Able to stack three files on base.



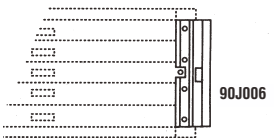
For 24" x 36" Sheets		Overall Unit Sizes			Inside Drawer Sizes			Wt.	List Price
		W	H	D	W	H	D		
77671	Steel Cap	40 3/4"	3/4"	29 1/4"	-	-	-	25#	\$356
7767	Five Drawer File	40 3/4"	15 3/8"	28 3/8"	37"	2"	25 3/4"	171#	\$1537
7764	7767D 5-Drawer w/Dust Covers	40 3/4"	15 3/8"	28 3/8"	37"	2"	25 3/4"	178#	\$1718
7967	10-Drawer File	40 3/4"	15 3/8"	28 3/8"	37"	5/8"	26"	228#	\$2952
7967D	10-Drawer File, Dust Covers	40 3/4"	15 3/8"	28 3/8"	37"	5/8"	26"	230#	\$3335
7767W	Flush Base	40 3/4"	4"	-	-	-	-	14#	\$245
77671	Deep-Drawer File	40 3/4"	7 1/2"	28 3/8"	37"	4 3/4"	26"	65#	\$975
7764	Two-Drawer File	40 3/4"	7 1/2"	28 3/8"	37"	2"	25 3/4"	78#	\$952
7890X	Sanitary Base Legs	-	6"	-	-	-	-	15#	\$209
7890Y	Sanitary Base Legs	-	19 3/8"	-	-	-	-	45#	\$450



For 30" x 42" Sheets		Overall Unit Sizes			Inside Drawer Sizes			Wt.	List Price
		W	H	D	W	H	D		
Cap	7768U Steel Cap	46 3/4"	3/4"	36 1/4"	-	-	-	30#	\$429
7767-68-69	7768 Five-Drawer File	46 3/4"	15 3/8"	35 3/8"	43"	2"	32 3/4"	211#	\$1762
	7768D 5-Drawer w/Dust Covers	46 3/4"	15 3/8"	35 3/8"	43"	2"	32 3/4"	220#	\$1947
	7968 10-Drawer File	46 3/4"	15 3/8"	35 3/8"	43"	5/8"	33"	298#	\$3342
	7968D 10-Drawer File, Dust Covers	46 3/4"	15 3/8"	35 3/8"	43"	5/8"	33"	300#	\$3785
7967-68-69	7768W Flush Base	46 3/4"	4"	35 3/8"	-	-	-	16#	\$269
	7890X Sanitary Base Legs	-	6"	-	-	-	-	15#	\$209
	7890Y Sanitary Base Legs	-	19 3/8"	-	-	-	-	45#	\$450

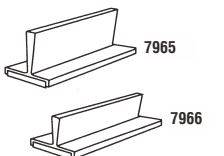


For 36" x 48" Sheets		Overall Unit Sizes			Inside Drawer Sizes			Wt.	List Price
		W	H	D	W	H	D		
Flush Base	7769U Steel Cap	53 3/4"	3/4"	42 1/2"	-	-	-	45#	\$555
	7769 Five-Drawer File	53 3/4"	15 3/8"	41 3/8"	50"	2"	38 3/4"	257#	\$2129
	7769D 5-Drawer w/Dust Covers	53 3/4"	15 3/8"	41 3/8"	50"	2"	38 3/4"	267#	\$2311
7890X	7969 10-Drawer File	53 3/4"	15 3/8"	41 3/8"	50"	5/8"	39"	365#	\$4019
	7969D 10-Drawer File, Dust Covers	53 3/4"	15 3/8"	41 3/8"	50"	5/8"	39"	375#	\$4571
7890Y	7769W Flush Base	53 3/4"	4"	41 3/8"	-	-	-	18#	\$327
	7890X Sanitary Base Legs	-	6"	-	-	-	-	15#	\$209
	7890Y Sanitary Base Legs	-	19 3/8"	-	-	-	-	45#	\$450



File Lock	Description	Wt.	List Price
90J006	Locking Device, steel latch fits all 5- and 10- drawer steel files	2#	\$82

**Partitions for Metal Plan Files (Black only)**



7965	7965 Plastic, magnetic divider for all steel 5-drawer files 6" x 1 5/8"W x 1 5/8" H	6 per pack	1#	\$48
7966	7966 Plastic, magnetic divider for all steel 10-drawer files 6"L x 1 5/8"W x 3/4"H	6 per pack	1#	\$32

**HAMILTON REGULAR SERIES PLAN FILES SPECIFICATIONS (NOTE: Not on GSA)**

Mayline Customer Service: 1-800-822-8037

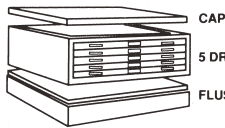
Interlocking steel plan files are designed for ease of stacking. Drawers have front plan depressor and rear hood to keep documents flat and orderly. Drawers with dust covers are optional. May be integrated with Mayline files. Able to be stacked three high.



**Model No.**

For 24" x 36" Sheets		Overall Unit Sizes			Inside Drawer Sizes			Wt.	List Price
		W	H	D	W	H	D		
<b>5J1</b>	Flat Cap	40 3/4"	3/4"	29 1/4"	-	-	-	25#	\$356
<b>5J15</b>	Five-Drawer File	40 3/4"	15 3/8"	28 3/8"	37"	2"	25 3/4"	171#	\$1588
<b>5J15D</b>	5-Drawer w/Dust Covers	40 3/4"	15 3/8"	28 3/8"	37"	2"	25 3/4"	178#	\$1765
<b>5J117</b>	Flush Base	40 3/4"	4"	28 3/8"	-	-	-	14#	\$245

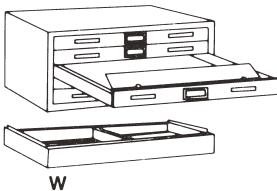
For 30" x 42" Sheets		Overall Unit Sizes			Inside Drawer Sizes			Wt.	List Price
		W	H	D	W	H	D		
<b>6J1</b>	Flat Cap	46 3/4"	3/4"	36 1/4"	-	-	-	30#	\$429
<b>6J15</b>	Five-Drawer File	46 3/4"	15 3/8"	35 3/8"	43"	2"	32 3/4"	211#	\$1818
<b>6J15D</b>	5-Drawer w/Dust Covers	46 3/4"	15 3/8"	35 3/8"	43"	2"	32 3/4"	220#	\$2006
<b>6J117</b>	Flush Base	46 3/4"	4"	35 3/8"	-	-	-	16#	\$269



For 36" x 48" Sheets		Overall Unit Sizes			Inside Drawer Sizes			Wt.	List Price
		W	H	D	W	H	D		
<b>7J1</b>	Flat Cap	53 3/4"	3/4"	42 1/4"	-	-	-	45#	\$555
<b>7J15</b>	Five-Drawer File	53 3/4"	15 3/8"	41 3/8"	50"	2"	38 3/4"	257#	\$2180
<b>7J117</b>	Flush Base	53 3/4"	4"	41 3/8"	-	-	-	18#	\$327
<b>7890X</b>	Base Legs (set of 4)	-	6"	-	-	-	-	15#	\$209
<b>7890Y</b>	Base Legs (set of 4)	-	19 3/8"	-	-	-	-	45#	\$450

**MUSEUM FILES SPECIFICATIONS (NOTE: Not on GSA)**

Self-contained Museum Files have integral cap and can be bolted together for stacking. Drawers have front metal plan depressor and rear hood to keep documents flat and orderly. Has fully enclosed drawer cabinet bottom. Drawer suspension uses greaseless nylon rimmed ball bearings to eliminate metal to metal contact and abrasion. Paint finish specially formulated to prevent outgassing. Optional high base supports one file. Able to stack three files on flush base.

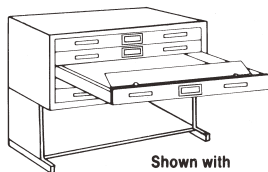


Shown with Flush Base

**Model No.**

For 24" x 36" Sheets		Overall Unit Sizes			Inside Drawer Sizes			Wt.	List Price
		W	H	D	W	H	D		
<b>7667</b>	Five-Drawer File	40 3/4"	15 3/8"	28 3/8"	37"	2"	25 3/4"	175#	\$1810
<b>7677</b>	Ten-Drawer File	40 3/4"	15 3/8"	28 3/8"	37"	5/8"	25 3/4"	345#	\$3619
<b>7767W</b>	Flush Base for 7667 & 7677	40 3/4"	4"	28 3/8"	-	-	-	14#	\$245
<b>7877</b>	20" High Base	40 3/4"	20"	28 3/8"	-	-	-	52#	\$535

For 30" x 42" Sheets		Overall Unit Sizes			Inside Drawer Sizes			Wt.	List Price
		W	H	D	W	H	D		
<b>7668</b>	Five-Drawer File	46 3/4"	15 3/8"	35 3/8"	43"	2"	32 3/4"	225#	\$2088
<b>7678</b>	Ten-Drawer File	46 3/4"	15 3/8"	35 3/8"	43"	5/8"	32 3/4"	445#	\$3780
<b>7768W</b>	Flush Base for 7668 & 7678	46 3/4"	4"	35 3/8"	-	-	-	16#	\$269
<b>7878</b>	20" High Base	46 3/4"	20"	35 3/8"	-	-	-	63#	\$607



Shown with High Base

For 36" x 48" Sheets		Overall Unit Sizes			Inside Drawer Sizes			Wt.	List Price
		W	H	D	W	H	D		
<b>7669</b>	Five-Drawer File	53 3/4"	15 3/8"	41 3/8"	50"	2"	38 3/4"	280#	\$2475
<b>7679</b>	Ten-Drawer File	53 3/4"	15 3/8"	41 3/8"	50"	5/8"	38 3/4"	550#	\$4489
<b>7769W</b>	Flush Base for 7669 & 7679	53 3/4"	4"	41 3/8"	-	-	-	18#	\$327
<b>7879</b>	20" High Base	53 3/4"	20"	41 3/8"	-	-	-	70#	\$668



**WOOD PLAN FILES (NOTE: Not on GSA)**

- Drawer fronts and case sides are finished in oak.
- Drawer bottoms are hardboard.
- Antique brass drawer pulls.
- Bases are shipped unassembled.

**Model No.**

**Wood Plan Files**

For 24" x 36" Sheets		Overall Unit Sizes			Inside Dimensions			Wt.	List Price
		W	H	D	W	H	D		
<b>7717U</b>	Cap	40 13/16"	3/4"	27 3/4"	-	-	-	30#	\$423
<b>7717C</b>	Five-Drawer File	40 11/16"	13 7/8"	27 3/8"	37 5/8"	17/8"	25"	112#	\$1551
<b>7717S</b>	Bookshelf	40 11/16"	13 7/8"	27 3/8"	39 3/16"*	12 3/8"*	13 5/16"*	70#	\$953
<b>7717W</b>	Flush Base	40 11/16"	4"	25 3/8"	-	-	-	15#	\$405

**Finishes:** Standard - Naturalist, Golden Oak, Unfinished  
 \*Both sides of shelf unit.

For 30" x 42" Sheets		Overall Unit Sizes			Inside Dimensions			Wt.	List Price
		W	H	D	W	H	D		
<b>7718U</b>	Cap	45 5/8"	3/4"	34 3/4"	-	-	-	36#	\$545
<b>7718C</b>	Five-Drawer File	45 1/2"	13 7/8"	34 3/8"	42 3/8"	1 7/8"	32"	140#	\$1672
<b>7718S</b>	Bookshelf	45 1/2"	13 7/8"	34 3/8"	44"*	12 3/8"*	16 3/16"*	102#	\$1068
<b>7718W</b>	Flush Base	45 1/2"	4"	32 3/8"	-	-	-	18#	\$449

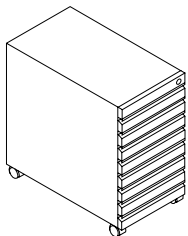
**Finishes:** Standard - Naturalist, Golden Oak, Unfinished  
 \*Both sides of shelf unit.

For 36" x 48" Sheets		Overall Unit Sizes			Inside Dimensions			Wt.	List Price
		W	H	D	W	H	D		
<b>7719U</b>	Cap	53 7/16"	3/4"	40 3/4"	-	-	-	52#	\$670
<b>7719C</b>	Five-Drawer File	53 5/16"	13 7/8"	40 3/8"	50 3/16"	15/8"	38"	172#	\$2211
<b>7719S</b>	Bookshelf	53 5/16"	13 7/8"	40 3/8"	51 11/16"*	12 3/8"*	19 3/16"*	120#	\$1208
<b>7719W</b>	Flush Base	53 5/16"	4"	38 3/8"	-	-	-	22#	\$523

**Finishes:** Standard - Naturalist, Golden Oak, Unfinished  
 \*Both sides of shelf unit.

**MOBILE B-SIZE DRAWER FILE (NOTE: Not on GSA)**

Eight-drawer steel file stores up to 2,500 sheets. All-steel construction. Four casters: 2 locking, 2 non-locking. Gang lock.  
**Standard Finishes:** Sand Beige, White, Black, Gray



**Mobile B-Size Plan File**

Model No.	Overall Unit Sizes			Inside Dimensions			Wt.	List Price
	W	H	D	W	H	D		
<b>9P810</b>	15 1/4"	27 1/8"	27 3/4"	12 3/4"	1 3/4"	23 1/2"	109#	\$966



# Index

Model No.	Page	List Price
0302MC	91	\$227
0412P06	153	\$57
0412P06	158	\$57
0412P06	188	\$57
0512P06	153	\$61
0512P06	158	\$61
0512P06	188	\$61
0515P06	158	\$65
0515P06	188	\$65
0600HR	127	\$232
0612P06	153	\$64
0612P06	158	\$64
0612P06	188	\$64
0712P06	153	\$66
0712P06	158	\$66
0712P06	188	\$66
0812P06	153	\$78
0812P06	158	\$78
0812P06	188	\$78
0912P06	153	\$85
0912P06	158	\$85
0912P06	188	\$85
0915P06	158	\$100
0915P06	188	\$100
1010AV	116	\$544
1010AV	238	\$544
1010PC	116	\$420
1010PC	238	\$420
1012P06	153	\$90
1012P06	158	\$90
1012P06	188	\$90
1015HC	116	\$675
1015HC	238	\$675
1015P06	158	\$105
1015P06	188	\$105
1020FTC	117	\$1,001
1025CV	89	\$72
1040LT	116	\$123
1050LT	116	\$495
10550	171	\$38
10550	254	\$38
10551	171	\$20
10551	254	\$20
10552	171	\$26
10552	254	\$26
10553	171	\$23
10553	254	\$23
10709	248	\$52
10709SE	248	\$85
1070PS	117	\$572
10714	248	\$50
10714SE	248	\$76
10715	248	\$55
10715SE	248	\$90
10716	248	\$65
10716SE	248	\$105
10717	248	\$75
10717SE	248	\$139
10718	248	\$88
10718SE	248	\$146
1075MR	117	\$197
10TMG	107	\$34
11124	231	\$624
1112P06	153	\$95
1112P06	158	\$95
1112P06	188	\$95
1112P06	198	\$95
11145	231	\$453
11148	231	\$1,022
1114P06	188	\$106
1114SDP06	188	\$152
1115P06	158	\$106
1115P06	188	\$106
11160	231	\$1,135
113	215	\$187
120	213	\$279
121	213	\$158
1211	197	\$339
1212P06	153	\$97

Model No.	Page	List Price
1212P06	158	\$97
1212P06	188	\$97
1214P06	188	\$109
1214SDP06	188	\$164
1215P06	158	\$109
1215P06	188	\$109
12330L	123	\$2,684
12330P	123	\$2,779
12336L	123	\$2,842
12336P	123	\$2,937
12348L	123	\$2,995
12348P	123	\$3,091
12360L	123	\$3,172
12360P	123	\$3,267
12563WL	123	\$4,014
12563WP	123	\$4,111
12564WL	123	\$4,103
12564WP	123	\$4,198
12565WL	123	\$4,194
12565WP	123	\$4,290
12730WL	123	\$3,172
12730WP	123	\$3,267
12736WL	123	\$3,344
12736WP	123	\$3,440
12742WL	123	\$3,482
12742WP	123	\$3,576
12748WL	123	\$3,611
12748WP	123	\$3,707
12760WL	123	\$3,872
12760WP	123	\$3,967
12ADJARM	101	\$109
12ADJARM	102	\$109
12ADJARM	103	\$109
12ADJARM	104	\$109
1412P06	153	\$131
1412P06	158	\$131
1412P06	188	\$131
1415P06	158	\$145
1415P06	188	\$145
1505TL	78	\$207
1515P06	158	\$159
1515P06	188	\$159
1612P06	153	\$152
1612P06	158	\$152
1612P06	188	\$152
1615P06	158	\$171
1615P06	188	\$171
1801AG	103	\$799
1801AGL	103	\$899
1848MR	106	\$613
1860MR	106	\$658
1860RC	110	\$546
1860RE	111	\$408
1872MR	106	\$773
1872RC	110	\$591
1872RE	111	\$445
19400	78	\$59
19500A	126	\$261
19500A	199	\$261
19500A	227	\$261
19500A	230	\$261
19500ATW	219	\$261
19500TA	35	\$282
19500TA	51	\$282
19500TA	78	\$282
19502A	35	\$104
19502A	51	\$104
19502A	78	\$104
19502A	126	\$104
19502A	199	\$104
19502A	219	\$104
19502A	227	\$104
19502A	230	\$104
1J1	173	\$293
1J1	256	\$293
1J100	173	\$5,207
1J100	256	\$5,207
1J117	173	\$276
1J117	256	\$276

Model No.	Page	List Price
1J15	173	\$1,734
1J15	256	\$1,734
1J15D	173	\$1,919
1J15D	256	\$1,919
1JC24	210	\$3,868
1JC29	210	\$4,098
1JK24	210	\$3,823
1JK29	210	\$4,053
1PF24	211	\$1,037
1PX24	211	\$1,037
1ST24	211	\$1,037
200LC	120	\$98
202TB	120	\$741
204TB	120	\$741
205	120	\$1,015
205L	120	\$1,050
205P	120	\$1,088
205W	120	\$1,670
205WL	120	\$1,769
205WP	120	\$1,868
20627R3	247	\$3,465
20628R3	247	\$3,716
210	120	\$1,064
210L	120	\$1,114
210P	120	\$1,150
210W	120	\$1,706
210WL	120	\$1,806
210WP	120	\$1,905
21100	230	\$75
21101	230	\$110
21102	231	\$71
21103	230	\$146
21104	230	\$166
21105	230	\$189
21106	230	\$239
21107	230	\$69
2110MU	238	\$325
2110V	124	\$144
21124	230	\$894
21145	230	\$664
21148	230	\$1,536
21172	230	\$1,915
211CNR	230	\$2,025
2140CA	239	\$185
215	120	\$1,138
215L	120	\$1,175
215P	120	\$1,211
215W	120	\$1,744
215WL	120	\$1,844
215WP	120	\$1,943
2160MU	239	\$325
220	120	\$1,162
2202418	230	\$125
2204818	230	\$188
2207218	230	\$209
220L	120	\$1,237
220P	120	\$1,275
220W	120	\$1,782
220WL	120	\$1,882
220WP	120	\$1,980
22114L	124	\$4,287
22114TB	124	\$3,157
22114WL	124	\$5,108
22116L	124	\$3,888
22133WL	124	\$4,914
22368L	124	\$3,810
230	120	\$1,287
230L	120	\$1,387
23118L	124	\$5,908
23118TB	124	\$5,047
23118WL	124	\$6,731
23269L	124	\$5,388
240	120	\$1,400
2400EP	91	\$190
240L	120	\$1,498
242229	90	\$846
2422S9	90	\$846
2424AG	103	\$579
2424AGL	103	\$699

# Index

Model No.	Page	List Price
2429LB	90	\$181
243029	89	\$458
2430S9	89	\$458
243629	89	\$487
2436CC	90	\$833
2436S9	89	\$487
244229	89	\$532
2442CC	90	\$850
2442S9	89	\$532
244829	89	\$561
2448CC	110	\$559
2448CE	111	\$520
2448HC	110	\$360
2448HE	111	\$309
2448MC	106	\$736
2448MH	107	\$685
2448MR	106	\$685
2448MT	106	\$685
2448RC	110	\$495
2448RE	111	\$371
2448S9	89	\$561
2448TC	110	\$428
2454MR	106	\$697
246029	89	\$635
2460MR	106	\$726
2460RC	110	\$570
2460RE	111	\$433
2460S9	89	\$635
247229	89	\$711
2472MR	106	\$840
2472RC	110	\$615
2472RE	111	\$495
2472S9	89	\$711
250	120	\$1,101
2500SS	238	\$1,087
250100	219	\$83
250100	219	\$83
250100	230	\$83
250101	219	\$142
250101	219	\$142
250101	230	\$142
2504K	190	\$145
250L	120	\$1,200
250P	120	\$1,299
250W	120	\$1,696
250WL	120	\$1,794
250WP	120	\$1,894
25300L	123	\$5,228
25300P	123	\$5,324
25302L	123	\$5,604
25302P	123	\$5,700
25412L	123	\$5,981
25412P	123	\$6,076
260	120	\$1,138
260L	120	\$1,237
260P	120	\$1,336
260W	120	\$1,731
260WL	120	\$1,830
260WP	120	\$1,930
2610	104	\$289
2660	104	\$299
270	120	\$1,275
270L	120	\$1,373
270P	120	\$1,473
270W	120	\$1,769
270WL	120	\$1,868
270WP	120	\$1,968
27300L	123	\$5,317
27300P	123	\$5,412
27302L	123	\$5,695
27302P	123	\$5,792
27412L	123	\$6,066
27412P	123	\$6,160
280W	120	\$1,956
280WL	120	\$2,056
290W	120	\$2,007
290WL	120	\$2,104
295W	120	\$2,067
295WL	120	\$2,167

Model No.	Page	List Price
2D901	127	\$465
2D902	127	\$493
2D903	127	\$465
2D911	127	\$497
2D912	127	\$524
2D913	127	\$497
2J1	173	\$366
2J1	256	\$366
2J100	173	\$6,203
2J100	256	\$6,203
2J117	173	\$350
2J117	256	\$350
2J15	173	\$2,052
2J15	256	\$2,052
2J15D	173	\$2,245
2J15D	256	\$2,245
2PF24	211	\$727
2PX24	211	\$727
2ST24	211	\$727
3000EP	91	\$190
3000KB	126	\$213
302129	90	\$870
3021S9	90	\$870
3029LB	90	\$181
303029	89	\$480
3030S9	89	\$480
3030WMM	91	\$48
303629	89	\$516
3036S9	89	\$516
3036WMM	91	\$55
304229	89	\$561
3042S9	89	\$561
304829	89	\$615
3048CC	90	\$869
3048MC	106	\$935
3048MR	106	\$788
3048S9	89	\$615
3048WMM	91	\$59
306029	89	\$684
3060MH	107	\$798
3060MR	106	\$825
3060MT	106	\$788
3060PLC4	113	\$784
3060PLG4	113	\$740
3060S9	89	\$684
3060WMM	91	\$72
307229	89	\$779
3072MR	106	\$854
3072PLC4	113	\$831
3072PLG4	113	\$784
3072PRLC4	113	\$831
3072PRLG4	113	\$784
3072S9	89	\$779
3072WMM	91	\$84
31124	223	\$1,624
3113	246	\$120
31148	223	\$2,751
3115	246	\$64
3117	246	\$103
31172	223	\$4,069
3202460	198	\$394
3202460	199	\$394
3202460	223	\$394
3202472	199	\$422
3202472	223	\$422
3202484	199	\$462
3202484	223	\$462
3203060	198	\$403
3203060	199	\$403
3203060	223	\$403
3203072	199	\$429
3203072	223	\$429
3203084	199	\$473
3203084	223	\$473
3203660	199	\$418
3203660	223	\$418
3203672	199	\$438
3203672	223	\$438
3203684	199	\$480

Model No.	Page	List Price
3203684	223	\$480
3302416	198	\$140
3302416	199	\$140
3302416	224	\$140
3302420	224	\$152
3303016	198	\$168
3303016	199	\$168
3303016	224	\$168
3303020	224	\$189
3303616	199	\$218
3303616	224	\$218
3303620	224	\$229
3304816	199	\$315
3304816	224	\$315
3304820	224	\$327
3305416	199	\$334
3305416	224	\$334
3305420	224	\$348
3306016	199	\$354
3306016	224	\$354
3306020	224	\$373
3312416	224	\$211
3312420	224	\$219
3313016	224	\$248
3313020	224	\$258
3313616	224	\$278
3313620	224	\$289
3322421	224	\$237
3323021	224	\$248
3323621	224	\$251
332421	224	\$140
332426	224	\$150
3324821	224	\$269
3326021	224	\$291
333021	224	\$150
333026	224	\$161
3332416	225	\$221
3332420	225	\$225
3333016	225	\$229
3333020	225	\$239
3333616	225	\$239
3333620	225	\$247
333621	224	\$183
333626	224	\$193
3351902	216	\$194
3352126	216	\$181
3352414	226	\$683
3352414L	226	\$723
3352732	216	\$202
3353014	226	\$693
3353014L	226	\$734
3353036	212	\$1,621
3353614	226	\$714
3353614L	226	\$765
3354836	212	\$1,909
3357236	212	\$2,242
3358436	212	\$2,514
3362126	216	\$324
3362732	216	\$350
3402430	198	\$337
3402430	199	\$337
3402430	225	\$438
3402430L	225	\$621
3402430LE	225	\$536
3402436	225	\$454
3402436L	225	\$516
3402436LE	225	\$678
3402436P	225	\$648
3403030	198	\$380
3403030	199	\$380
3403030	225	\$380
3403030	226	\$380
3403030	226	\$380
3403030L	225	\$497
3403030L	226	\$497
3403030LE	225	\$685
3403030LE	226	\$685
3403030P	225	\$590

# Index

Model No.	Page	List Price	Model No.	Page	List Price	Model No.	Page	List Price
3403036	225	\$485	3422984X	227	\$623	350246	215	\$47
3403036L	225	\$662	3422984XL	227	\$818	350247	215	\$53
3403036LE	225	\$740	3434830	226	\$735	350248	215	\$118
3403036P	225	\$679	3434830L	226	\$894	350249	215	\$9
3403630	199	\$422	3434830LE	226	\$1,045	350250	215	\$81
3403630	225	\$422	3434836	226	\$816	350251	215	\$108
3403630L	225	\$545	3434836L	226	\$977	350254	212	\$36
3403630LE	225	\$740	3434836LE	226	\$1,110	350254	213	\$36
3403630P	225	\$642	350100	198	\$100	350255	212	\$165
3403636	225	\$540	350100	199	\$100	350260	212	\$168
3403636	226	\$540	350100	227	\$100	350261	212	\$140
3403636L	225	\$643	350101	227	\$172	350262	212	\$107
3403636LE	225	\$849	350114	199	\$82	350263	212	\$107
3403636LE	226	\$849	350114	227	\$82	350264	212	\$212
3403636P	225	\$738	350115	227	\$51	350265	212	\$172
3404830	199	\$504	350116	227	\$161	350266	212	\$172
3404830	225	\$504	350117	227	\$12	350267	212	\$191
3404830L	225	\$665	350118	227	\$95	350268	212	\$191
3404830LE	225	\$870	350119	227	\$165	350269	213	\$314
3404830P	225	\$761	350120	227	\$86	350301	226	\$59
3404836	225	\$603	350142	227	\$131	350302	226	\$78
3404836L	225	\$781	350143	227	\$197	350303	226	\$75
3404836LE	225	\$1,035	350144	227	\$212	350304	226	\$100
3404836P	225	\$878	350150	227	\$92	350311	226	\$59
3405430	225	\$576	350151	227	\$120	350312	226	\$78
3405430L	225	\$751	350152	227	\$161	350313	226	\$75
3405430LE	225	\$990	350160	209	\$314	350314	226	\$100
3405430P	225	\$845	350170	209	\$139	350318	224	\$68
3405436	225	\$753	350171	226	\$19	350320L	224	\$195
3405436L	225	\$882	350172	215	\$229	350321L	225	\$68
3405436LE	225	\$1,162	350172	226	\$229	350321R	225	\$68
3405436P	225	\$979	350172	226	\$229	350324	227	\$85
3406030	199	\$657	350173	226	\$271	350325L	224	\$97
3406030	225	\$657	350174	215	\$274	350325R	224	\$97
3406030L	225	\$835	350175	209	\$41	350327L	225	\$67
3406030LE	225	\$1,057	350178	209	\$45	350327R	225	\$67
3406030P	225	\$930	350181	215	\$243	350330	227	\$92
3406036	225	\$755	350188	215	\$258	350336	227	\$97
3406036L	225	\$981	350189	215	\$256	350440	228	\$670
3406036LE	225	\$1,295	350190	117	\$152	350445	228	\$854
3406036P	225	\$1,076	350212	198	\$60	350450	228	\$897
3407130	225	\$721	350212	199	\$60	350460	228	\$605
3407130L	225	\$921	350212	224	\$60	350465	228	\$789
3407130LE	225	\$1,045	350212	224	\$60	350470	228	\$832
3407230	199	\$716	350213L	198	\$195	350480	228	\$756
3407230	225	\$716	350213L	199	\$195	350485	228	\$940
3407230L	225	\$908	350213L	224	\$195	350490	228	\$983
3407230LE	225	\$1,138	350213R	198	\$195	3660PLC4	113	\$809
3407230P	225	\$1,005	350213R	199	\$195	3660PLG4	113	\$764
3407236	225	\$854	350213R	224	\$195	3665DA1	155	\$2,500
3407236L	225	\$1,070	350214	199	\$244	3665DB1	155	\$2,578
3407236LE	225	\$1,412	350214	224	\$244	3665DC1	155	\$2,533
3407236P	225	\$1,164	350214	224	\$244	3665DD1	155	\$2,534
3409030	199	\$908	350215	199	\$100	3665DE1	155	\$2,360
3409030	225	\$908	350215	224	\$100	3665DX1	157	\$1,909
3409030L	225	\$1,166	350215	224	\$100	3665NA1	155	\$1,904
3409030LE	225	\$1,423	350216	224	\$38	3665NB1	155	\$1,984
3409030P	225	\$1,264	350217	226	\$99	3665NC1	155	\$1,788
3409036	225	\$1,056	350218	224	\$32	3665ND1	155	\$1,943
3409036L	225	\$1,371	350220	199	\$125	3665NE1	155	\$1,895
3409036LE	225	\$1,813	350220	225	\$125	3665NX1	157	\$1,362
3409036P	225	\$1,470	350221	212	\$110	3672PLC4	113	\$854
3421760X	227	\$572	350221	220	\$110	3672PLG4	113	\$809
3421760XL	227	\$778	350222	212	\$321	3680DA1	155	\$2,866
3421772X	227	\$609	350222	214	\$321	3680DB1	155	\$2,954
3421772XL	227	\$790	350224	213	\$224	3680DC1	155	\$2,719
3421784X	227	\$642	350226	212	\$33	3680DD1	155	\$2,866
3421784XL	227	\$818	350226	213	\$33	3680DE1	155	\$2,677
3422860X	227	\$599	350232	213	\$229	3680DX1	157	\$2,070
3422860XL	227	\$897	350236	212	\$35	3680NA1	155	\$2,221
3422872X	227	\$635	350236	213	\$35	3680NB1	155	\$2,310
3422872XL	227	\$907	350237	211	\$97	3680NC1	155	\$2,076
3422884X	227	\$671	350238	214	\$588	3680ND1	155	\$2,222
3422884XL	227	\$918	350239	214	\$247	3680NE1	155	\$2,035
3422960X	227	\$572	350241	214	\$565	3680NX1	157	\$1,416
3422960XL	227	\$756	350243	215	\$36	3680WS1	156	\$2,162
3422972X	227	\$609	350244	215	\$39	3680WS1LAM	156	\$2,280
3422972XL	227	\$790	350245	215	\$44	3704K	190	\$172

# Index

Model No.	Page	List Price
3704K	201	\$172
3748	245	\$1,147
3760	245	\$1,208
38363	150	\$1,285
3836A3	150	\$1,544
38423	150	\$1,329
3842A3	150	\$1,603
38483	150	\$1,373
3848A3	150	\$1,665
3J1	173	\$450
3J1	256	\$450
3J100	173	\$7,157
3J100	256	\$7,157
3J117	173	\$420
3J117	256	\$420
3J15	173	\$2,356
3J15	256	\$2,356
3J15D	173	\$2,548
3J15D	256	\$2,548
3PF24	211	\$680
3PX24	211	\$680
3ST24	211	\$680
4005AG	102	\$499
4005AG	104	\$499
4019AG	102	\$599
4021	101	\$499
40584363	213	\$374
4058442	213	\$384
408	215	\$308
409	214	\$57
413	214	\$74
4211730	212	\$174
4211730	213	\$174
4211736	213	\$217
4212130	213	\$181
4212136	213	\$217
4221530	212	\$288
4221530	214	\$288
4221536	214	\$330
4221930	214	\$292
4221936	214	\$340
42300L	123	\$5,704
42300P	123	\$5,799
42302L	123	\$6,076
42302P	123	\$6,172
4265DA1	155	\$2,831
4265DB1	155	\$2,957
4265DC1	155	\$2,713
4265DD1	155	\$2,874
4265DE1	155	\$2,559
4265DX1	157	\$2,076
4265NA1	155	\$2,141
4265NB1	155	\$2,300
4265NC1	155	\$2,052
4265ND1	155	\$2,217
4265NE1	155	\$1,909
4265NX1	157	\$1,400
4280DA1	155	\$3,248
4280DB1	155	\$3,422
4280DC1	155	\$3,124
4280DD1	155	\$3,274
4280DE1	155	\$3,048
4280DX1	157	\$2,256
4280NA1	155	\$2,503
4280NB1	155	\$2,703
4280NC1	155	\$2,406
4280ND1	155	\$2,556
4280NE1	155	\$2,184
4280NX1	157	\$1,522
4280WS1	156	\$2,380
4280WS1LAM	156	\$2,512
42P3C4	113	\$716
42P3G4	113	\$692
42RNDC	110	\$428
4357226	216	\$910
4357232	216	\$936
4358426	216	\$974
4358432	216	\$1,000
45300L	123	\$5,789

Model No.	Page	List Price
45300P	123	\$5,884
45302L	123	\$6,169
45302P	123	\$6,263
47300L	123	\$5,881
47300P	123	\$5,978
47302L	123	\$6,257
47302P	123	\$6,353
48PRNDC4	113	\$784
48PRNDG4	113	\$740
4904K	190	\$203
4904K	201	\$203
49263	126	\$528
49264	126	\$528
49265	126	\$528
4J1	173	\$1,258
4J1	256	\$1,258
4J15D	173	\$6,997
4J15D	256	\$6,997
4J17	173	\$1,083
4J17	256	\$1,083
502TB	125	\$1,736
503TB	125	\$1,798
504TB	125	\$2,416
505L	125	\$2,030
505TB	125	\$2,360
505WL	125	\$2,660
506TB	125	\$2,355
507TB	125	\$2,355
510L	125	\$2,066
510WL	125	\$2,710
515L	125	\$2,124
515WL	125	\$2,777
520L	125	\$2,240
520WL	125	\$2,895
5300L	126	\$3,334
5300WL	126	\$3,977
530L	125	\$2,337
5310L	126	\$3,512
5310WL	126	\$4,157
5320L	126	\$2,897
5320WL	126	\$3,438
5330L	126	\$2,897
5330WL	126	\$3,438
537MP	125	\$107
540L	125	\$2,500
543MP	125	\$118
549MP	125	\$294
550L	125	\$2,410
550WL	125	\$2,780
560L	125	\$2,456
560WL	125	\$2,894
561MP	125	\$326
562MP	125	\$265
570L	125	\$2,491
570WL	125	\$2,957
580WL	125	\$2,900
590WL	125	\$2,947
595WL	125	\$3,010
5J1	174	\$356
5J1	258	\$356
5J117	174	\$245
5J117	258	\$245
5J15	174	\$1,588
5J15D	174	\$1,765
5J15D	258	\$1,765
6043	121	\$1,308
6045	121	\$1,308
6047	121	\$1,308
604TC	122	\$50
605	121	\$1,482
605L	121	\$1,595
605P	121	\$1,685
605W	121	\$2,102
605WL	121	\$2,231
605WP	121	\$2,321
610	121	\$1,497
610L	121	\$1,651
610P	121	\$1,740
610W	121	\$2,155

Model No.	Page	List Price
610WL	121	\$2,280
610WP	121	\$2,371
615	121	\$1,546
615L	121	\$1,707
615P	121	\$1,798
615W	121	\$2,184
615WL	121	\$2,345
615WP	121	\$2,437
62363	149	\$1,385
6236A3	149	\$1,852
6236B3	149	\$1,981
62423	149	\$1,443
6242A3	149	\$1,939
6242B3	149	\$2,073
62483	149	\$1,535
6248A3	149	\$2,062
6248B3	149	\$2,265
630	121	\$2,102
630L	121	\$2,231
6332SO	237	\$309
6432SO	237	\$339
6446AG	103	\$899
6446AGL	103	\$999
650	121	\$1,806
650L	121	\$1,987
650P	121	\$2,077
650W	122	\$2,363
650WL	122	\$2,457
650WP	122	\$2,549
660	121	\$1,842
660L	121	\$2,032
660P	121	\$2,122
660W	122	\$2,411
660WL	122	\$2,574
660WP	122	\$2,664
670	121	\$1,870
670L	121	\$2,064
670P	121	\$2,156
670W	122	\$2,476
670WL	122	\$2,639
670WP	122	\$2,729
680W	122	\$2,665
680WL	122	\$2,838
685W	122	\$2,718
685WL	122	\$2,890
690W	122	\$2,790
690WL	122	\$2,962
6J1	174	\$429
6J1	258	\$429
6J117	174	\$269
6J117	258	\$269
6J15	174	\$1,818
6J15D	174	\$2,006
6J15D	258	\$2,006
700	217	\$947
700B	217	\$1,201
700E	217	\$1,278
700H	217	\$1,046
701	217	\$1,013
701B	217	\$1,234
701E	217	\$1,399
701H	217	\$1,090
702	217	\$1,046
702B	217	\$1,565
702E	217	\$1,707
702H	217	\$1,124
703	217	\$1,124
703B	217	\$1,597
703E	217	\$1,697
703H	217	\$1,222
704	217	\$1,234
704B	217	\$2,491
704E	217	\$1,697
704H	217	\$1,332
705	218	\$532
706	218	\$582
707	218	\$632
708	218	\$546
709	218	\$596

# Index

Model No.	Page	List Price
710	218	\$645
711	218	\$546
712	218	\$596
713	218	\$645
714	218	\$794
715	218	\$844
716	218	\$925
717	218	\$405
717E	218	\$530
717H	218	\$456
717T	218	\$507
717TE	218	\$638
717TH	218	\$557
718	219	\$456
718E	219	\$605
718H	219	\$507
718T	219	\$557
718TE	219	\$690
718TH	219	\$605
719	219	\$507
719E	219	\$638
719H	219	\$557
719T	219	\$605
719TE	219	\$771
719TH	219	\$657
720	219	\$708
720E	219	\$851
720H	219	\$759
721	219	\$219
722	219	\$236
723	219	\$278
724	221	\$539
725	221	\$588
7250A	250	\$167
7251A	250	\$177
7251ASE	250	\$257
7251SE	251	\$179
7252A	250	\$188
7252ASE	250	\$268
7252SE	251	\$192
7253A	250	\$198
7253ASE	250	\$278
7253SE	251	\$216
7255A	250	\$261
7255ASE	250	\$352
726	221	\$605
7260A	249	\$177
7261A	249	\$188
7261ASE	250	\$276
7262A	249	\$198
7262ASE	250	\$287
7263A	249	\$209
7263ASE	250	\$297
7265A	249	\$272
7265ASE	250	\$360
727	217	\$980
7271A	249	\$244
7271ASE	249	\$314
7272A	249	\$255
7272ASE	249	\$335
7273A	249	\$291
7273ASE	249	\$377
7275A	249	\$382
7275ASE	249	\$503
727B	217	\$1,565
727E	217	\$1,683
727H	217	\$1,079
728	217	\$1,057
728B	217	\$1,580
728E	217	\$1,717
728H	217	\$1,156
729	217	\$1,168
729B	217	\$2,424
729E	217	\$1,597
729H	217	\$1,332
730	219	\$354
7301A	251	\$64
7301B	251	\$69
7301C	251	\$74

Model No.	Page	List Price
7302A	251	\$78
7302B	251	\$83
7302C	251	\$85
7302D	250	\$109
7305	252	\$35
7306	251	\$29
7307	251	\$71
7308	251	\$29
731	219	\$396
732	219	\$455
7355100	251	\$61
7355300	251	\$166
7355A	251	\$21
7355B	251	\$26
7355C	251	\$37
737	219	\$65
738	219	\$142
739	219	\$175
740	219	\$197
7402AP	245	\$284
7403AP	245	\$297
7404	245	\$341
742	220	\$137
744	220	\$171
745	220	\$200
7454	245	\$221
746	220	\$242
747	220	\$184
748	220	\$215
749	220	\$252
750	220	\$45
751	220	\$49
752	220	\$171
753	220	\$200
754	220	\$233
755	220	\$184
756	220	\$215
757	220	\$239
758	220	\$60
759	220	\$69
7602	245	\$725
7602F	244	\$771
7602P	245	\$725
7602PF	244	\$742
7603	245	\$783
7603F	244	\$796
7603LT	247	\$1,746
7603P	245	\$783
7603PF	244	\$796
7604FT	244	\$1,072
7604T	245	\$1,048
7606FT	244	\$1,136
7606T	245	\$1,109
7610	245	\$68
7611	245	\$92
7611F	245	\$105
7612	245	\$90
7612F	245	\$98
763	221	\$567
764	221	\$709
765	221	\$200
7667	174	\$1,810
7667	258	\$1,810
7668	174	\$2,088
7668	258	\$2,088
7669	174	\$2,475
7669	258	\$2,475
767	221	\$226
7677	174	\$3,619
7677	258	\$3,619
7678	174	\$3,780
7678	258	\$3,780
7679	174	\$4,489
7679	258	\$4,489
768	221	\$273
769	221	\$286
7704	243	\$1,730
7704A	243	\$1,929
7704B	244	\$2,055

Model No.	Page	List Price
7706	243	\$1,821
7706A	243	\$2,021
7706B	244	\$2,120
7707	243	\$1,963
7707A	243	\$2,161
7707B	244	\$2,275
7708	243	\$2,082
7708A	243	\$2,286
7708B	244	\$2,399
7709	243	\$2,307
7709A	243	\$2,501
7709B	244	\$2,620
7711WT	239	\$129
7717C	176	\$1,551
7717C	259	\$1,551
7717S	176	\$953
7717S	259	\$953
7717U	176	\$423
7717U	259	\$423
7717W	176	\$405
7717W	259	\$405
7718C	176	\$1,672
7718C	259	\$1,672
7718S	176	\$1,068
7718S	259	\$1,068
7718U	176	\$545
7718U	259	\$545
7718W	176	\$449
7718W	259	\$449
7719C	176	\$2,211
7719C	259	\$2,211
7719S	176	\$1,208
7719S	259	\$1,208
7719U	176	\$670
7719U	259	\$670
7719W	176	\$523
7719W	259	\$523
7724	243	\$868
7724A	243	\$1,034
7724B	243	\$1,101
7726	243	\$885
7726A	243	\$1,059
7726B	243	\$1,133
7732	242	\$883
7732A	242	\$1,027
7734	242	\$948
7734A	242	\$1,101
7734B	242	\$1,197
7734BLT	247	\$4,512
7736	242	\$997
7736A	242	\$1,129
7736B	242	\$1,271
7736BLT	247	\$4,767
7737	242	\$1,208
7737A	242	\$1,248
7737B	242	\$1,366
7738	242	\$1,326
7738A	242	\$1,419
7738B	242	\$1,547
7739	242	\$1,472
7739A	242	\$1,526
7739B	242	\$1,689
775	222	\$54
776	222	\$58
7764	175	\$952
7764	257	\$952
7767	175	\$1,537
7767	257	\$1,537
77671	175	\$975
77671	257	\$975
7767D	175	\$1,718
7767D	257	\$1,718
7767U	175	\$356
7767U	257	\$356
7767W	174	\$245
7767W	175	\$245
7767W	257	\$245
7767W	258	\$245
7768	175	\$1,762



# Index

Model No.	Page	List Price
7768	257	\$1,762
7768D	175	\$1,947
7768D	257	\$1,947
7768U	175	\$429
7768U	257	\$429
7768W	174	\$269
7768W	175	\$269
7768W	257	\$269
7768W	258	\$269
7769	175	\$2,129
7769	257	\$2,129
7769D	175	\$2,311
7769D	257	\$2,311
7769U	175	\$555
7769U	257	\$555
7769W	174	\$327
7769W	175	\$327
7769W	257	\$327
7769W	258	\$327
777	222	\$200
7772	242	\$1,437
7772A	242	\$1,688
7773	242	\$1,561
7773A	242	\$1,813
778	222	\$240
779	222	\$293
780	222	\$91
781	222	\$122
782	222	\$163
783	222	\$91
784	222	\$163
785	222	\$108
786	222	\$177
7867C	172	\$1,333
7867C	255	\$1,333
7867D	172	\$1,480
7867D	255	\$1,480
7867W	172	\$233
7867W	255	\$233
7868C	172	\$1,549
7868C	255	\$1,549
7868D	172	\$1,696
7868D	255	\$1,696
7868W	172	\$258
7868W	255	\$258
7869C	172	\$1,847
7869C	255	\$1,847
7869D	172	\$1,996
7869D	255	\$1,996
7869W	172	\$312
7869W	255	\$312
787	218	\$57
7877	172	\$535
7877	174	\$535
7877	255	\$535
7877	258	\$535
7878	172	\$607
7878	174	\$607
7878	255	\$607
7878	258	\$607
7879	172	\$668
7879	174	\$668
7879	255	\$668
7879	258	\$668
788	218	\$62
789	218	\$108
7890X	173	\$209
7890X	175	\$209
7890X	256	\$209
7890X	256	\$209
7890X	256	\$209
7890X	257	\$209
7890X	257	\$209
7890X	257	\$209
7890X	258	\$209
7890Y	173	\$450
7890Y	175	\$450
7890Y	256	\$450
7890Y	256	\$450

Model No.	Page	List Price
7890Y	256	\$450
7890Y	257	\$450
7890Y	257	\$450
7890Y	257	\$450
7890Y	258	\$450
790	222	\$64
791	221	\$539
792	221	\$588
793	221	\$605
7965	175	\$48
7965	257	\$48
7966	175	\$32
7966	257	\$32
7967	175	\$2,952
7967	257	\$2,952
7967D	175	\$3,335
7967D	257	\$3,335
7968	175	\$3,342
7968	257	\$3,342
7968D	175	\$3,785
7968D	257	\$3,785
7969	175	\$4,019
7969	257	\$4,019
7969D	175	\$4,571
7969D	257	\$4,571
797	218	\$364
7977C	172	\$2,786
7977C	255	\$2,786
7977D	172	\$3,146
7977D	255	\$3,146
7978C	172	\$2,904
7978C	255	\$2,904
7978D	172	\$3,288
7978D	255	\$3,288
7979C	172	\$3,455
7979C	255	\$3,455
7979D	172	\$3,927
7979D	255	\$3,927
797E	218	\$462
797H	218	\$412
797T	218	\$434
797TE	218	\$534
797TH	218	\$483
798	218	\$376
798E	218	\$476
798H	218	\$426
798T	218	\$462
798TE	218	\$564
798TH	218	\$512
799	221	\$126
7J1	174	\$555
7J1	258	\$555
7J117	174	\$327
7J117	258	\$327
7J15	174	\$2,180
7J15	258	\$2,180
7J15D	174	\$2,368
8000DU	237	\$425
80270M4	123	\$2,331
80270P4	123	\$2,331
8027AK4	246	\$2,904
80370M4	123	\$2,654
80370P4	123	\$2,654
8100TD	237	\$369
8109C	248	\$212
8109CP	248	\$187
8109CPSE	248	\$206
8111C	248	\$206
8111CP	248	\$179
8111CPSE	248	\$212
8112C	248	\$217
8112CP	248	\$193
8112CPSE	248	\$218
8113C	248	\$230
8113CP	248	\$206
8113CPSE	248	\$239
8114C	248	\$244
8114CP	248	\$218
8114CPSE	248	\$254

Model No.	Page	List Price
8115C	248	\$307
8115CP	248	\$272
8115CPSE	248	\$325
81270A4	246	\$2,944
81370A4	246	\$2,886
81A0R	209	\$3,298
81A1R	209	\$3,645
81A2R	209	\$3,992
81B0R	209	\$3,364
81B1R	209	\$3,707
81B2R	209	\$4,057
81C0R	209	\$3,189
81C1R	209	\$3,532
81C2R	209	\$3,873
81D0R	209	\$3,415
81D1R	209	\$3,598
81D2R	209	\$3,940
81E0R	209	\$3,189
81E1R	209	\$3,532
81E2R	209	\$3,873
81F0R	209	\$3,415
81F1R	209	\$3,598
81F2R	209	\$3,940
8213	230	\$169
824	222	\$121
824	228	\$121
83363	149	\$1,575
8336A3	149	\$2,269
8336B3	149	\$2,397
83423	149	\$1,748
8342A3	149	\$2,433
8342B3	149	\$2,522
83483	149	\$1,874
8348A3	149	\$2,579
8348B3	149	\$2,718
8350MR	237	\$425
8432SO	237	\$375
85942W	122	\$2,344
85942WL	122	\$2,445
85942WP	122	\$2,535
8594B	246	\$4,669
8595B	246	\$4,713
8596B	246	\$4,767
8597B	246	\$4,872
8598B	246	\$4,956
8693B	246	\$3,571
8694B	246	\$3,832
8694BLT	247	\$7,094
8695B	246	\$3,880
8696B	246	\$3,923
8696BLT	247	\$7,337
8697B	246	\$4,028
8698B	246	\$4,123
900	234	\$629
90125	200	\$339
90125	203	\$339
90126	200	\$389
90126	203	\$389
90137	200	\$528
90138	200	\$799
90145	157	\$20
90145	190	\$20
90145	201	\$20
90155	190	\$4
90225	202	\$121
905	234	\$499
90J006	175	\$82
90J006	257	\$82
910	234	\$259
911085	151	\$36
911785	157	\$34
911785	190	\$34
911885	190	\$4
915	234	\$259
91A0	207	\$2,827
91A1	207	\$3,141
91A2	207	\$3,457
91B0	207	\$2,884
91B1	207	\$3,199

# Index

Model No.	Page	List Price
91B2	207	\$3,513
91C0	207	\$2,724
91C1	207	\$3,037
91C2	207	\$3,354
91D0	207	\$2,928
91D1	207	\$3,096
91D2	207	\$3,411
91E0	207	\$2,724
91E1	207	\$3,037
91E2	207	\$3,354
91F0	207	\$2,928
91F1	207	\$3,096
91F2	207	\$3,411
91G0	210	\$6,362
91G1	210	\$6,697
91G2	210	\$7,036
91H0	210	\$6,423
91H1	210	\$6,760
91H2	210	\$7,095
91R	207	\$1,705
925	234	\$349
92A0	207	\$3,011
92A1	207	\$3,324
92A2	207	\$3,638
92B0	207	\$3,067
92B1	207	\$3,381
92B2	207	\$3,697
92C0	207	\$2,906
92C1	207	\$3,220
92C2	207	\$3,533
92D0	207	\$3,110
92D1	207	\$3,279
92D2	207	\$3,594
92E0	207	\$2,906
92E1	207	\$3,220
92E2	207	\$3,533
92F0	207	\$3,110
92F1	207	\$3,279
92F2	207	\$3,594
92G0	210	\$6,560
92G1	210	\$6,974
92G2	210	\$7,233
92H0	210	\$6,620
92H1	210	\$7,036
92H2	210	\$7,295
92R	207	\$1,853
9301	170	\$617
9301	253	\$617
9302	170	\$662
9302	253	\$662
9303	170	\$706
9303	253	\$706
9304	170	\$790
9304	253	\$790
9305	170	\$843
9305	253	\$843
9308	171	\$235
9308	254	\$235
9309	170	\$67
9309	253	\$67
9309H	170	\$280
9309H	253	\$280
9311	171	\$391
9311	254	\$391
9312	171	\$434
9312	254	\$434
9313	171	\$482
9313	254	\$482
9314	171	\$566
9314	254	\$566
9315	171	\$622
9315	254	\$622
9319	171	\$68
9319	254	\$68
9321	170	\$969
9321	253	\$969
9322	170	\$1,011
9322	253	\$1,011
9323	170	\$1,057

Model No.	Page	List Price
9323	253	\$1,057
9324	170	\$1,141
9324	253	\$1,141
9325	170	\$1,197
9325	253	\$1,197
9329	170	\$461
9329	253	\$461
9329H	170	\$638
9329H	253	\$638
93316	171	\$163
93316	254	\$163
93326	171	\$185
93326	254	\$185
93336	171	\$205
93336	254	\$205
93346	171	\$247
93346	254	\$247
93356	171	\$273
93356	254	\$273
9390	171	\$296
9390	254	\$296
9391	171	\$352
9391	254	\$352
9397	171	\$247
9397	254	\$247
9398	171	\$108
9398	254	\$108
93A0	207	\$3,011
93A1	207	\$3,324
93A2	207	\$3,638
93B0	207	\$3,067
93B1	207	\$3,381
93B2	207	\$3,697
93C0	207	\$2,906
93C1	207	\$3,220
93C2	207	\$3,533
93D0	207	\$3,110
93D1	207	\$3,279
93D2	207	\$3,594
93E0	207	\$2,906
93E1	207	\$3,220
93E2	207	\$3,533
93F0	207	\$3,110
93F1	207	\$3,279
93F2	208	\$3,594
93G0	210	\$6,560
93G1	210	\$6,897
93G2	210	\$7,231
93H0	210	\$6,620
93H1	210	\$6,957
93H2	210	\$7,294
93R	207	\$2,097
9413AG	101	\$799
9413AGL	101	\$899
9414AG	101	\$699
9414AGL	101	\$775
9429	170	\$495
9429	253	\$495
943	236	\$129
944	236	\$129
945	235	\$134
946	235	\$134
947	235	\$134
948	235	\$134
94A0	208	\$3,191
94A1	208	\$3,507
94A2	208	\$3,820
94B0	208	\$3,250
94B1	208	\$3,565
94B2	208	\$3,883
94C0	208	\$3,089
94C1	208	\$3,404
94C2	208	\$3,718
94D0	208	\$3,294
94D1	208	\$3,464
94D2	208	\$3,777
94E0	208	\$3,089
94E1	208	\$3,404
94E2	208	\$3,718

Model No.	Page	List Price
94F0	208	\$3,294
94F1	208	\$3,464
94F2	208	\$3,777
94G0	210	\$6,760
94G1	210	\$7,095
94G2	210	\$7,428
94H0	210	\$6,822
94H1	210	\$7,157
94H2	210	\$7,489
94R	207	\$2,303
950	235	\$134
9501CH	104	\$199
9501CH	117	\$199
9501V	252	\$57
9503V	252	\$76
9504V	252	\$117
9506V	252	\$135
9507V	252	\$162
951	235	\$134
9511V	252	\$71
955	236	\$159
9552	252	\$30
96A0	208	\$3,417
96A1	208	\$3,717
96A2	208	\$4,032
96B0	208	\$3,470
96B1	208	\$3,772
96B2	208	\$4,087
96C0	208	\$3,320
96C1	208	\$3,624
96C2	208	\$3,909
96D0	208	\$3,375
96D1	208	\$3,676
96D2	208	\$3,963
96E0	208	\$3,320
96E1	208	\$3,624
96E2	208	\$3,909
96F0	208	\$3,375
96F1	208	\$3,676
96F2	208	\$3,963
98B2	211	\$3,972
98D2	211	\$3,972
98F2	211	\$3,972
98H2	211	\$4,550
98I2	211	\$4,550
98K2	211	\$4,550
98L2	211	\$5,069
98N2	211	\$5,069
98P2	211	\$5,069
992	236	\$259
993	234	\$129
994	234	\$139
995	234	\$149
9P600	169	\$125
9P610	169	\$160
9P611	169	\$182
9P620	169	\$274
9P621	169	\$309
9P810	176	\$966
9P810	259	\$966
A35CH5	143	\$99
AB2S36	11	\$319
AB3S36	11	\$389
AB5S36	11	\$469
ABD6642	6	\$569
ABD7242	6	\$599
ABQ2	11	\$199
ABQ5	11	\$379
ACASTK	197	\$264
ACB4224	7	\$239
ACB4824	7	\$259
ACD	10	\$119
ACD6024	6	\$379
ACD6624	6	\$399
ACD7224	6	\$419
ACLF30	9	\$489
ACLF36	9	\$549
ACTB10	13	\$1,169
ACTB12	13	\$1,399

# Index

Model No.	Page	List Price	Model No.	Page	List Price	Model No.	Page	List Price
ACTB6	13	\$659	ARC12CB	163	\$41	ARC3072WCS	163	\$62
ACTB8	13	\$969	ARC12P	162	\$12	ARC30827A	159	\$2,917
ACTR42	13	\$465	ARC15CB	163	\$43	ARC30827EA	160	\$2,230
ADB3	190	\$271	ARC15P	162	\$14	ARC30827ES	160	\$2,474
ADB4	190	\$335	ARC2412HFK	162	\$88	ARC30827S	159	\$3,170
ADB5	190	\$411	ARC2412ROD105	162	\$227	ARC30828TB	163	\$85
ADB6	190	\$432	ARC2412ROD120	162	\$252	ARC3082CP	163	\$129
ADR2	197	\$180	ARC2412ROD60	162	\$189	ARC3082EP	163	\$355
ADR2LAM	197	\$221	ARC2412ROD75	162	\$198	ARC3082WCS	163	\$74
ADR33	197	\$244	ARC2412ROD90	162	\$206	ARC30938A	159	\$3,321
ADR33LAM	197	\$308	ARC2412ROHF	162	\$189	ARC30938EA	160	\$2,478
ADR34	197	\$271	ARC2412ROSLF	162	\$189	ARC30938ES	160	\$2,776
ADR34LAM	197	\$329	ARC2412RS	161	\$189	ARC30938S	159	\$3,570
ADR35	197	\$294	ARC2412SLF	161	\$45	ARC30938TB	163	\$97
ADR35LAM	197	\$339	ARC24403A	159	\$1,313	ARC3093CP	163	\$149
ADR36	197	\$316	ARC24403EA	160	\$1,117	ARC3093EP	163	\$407
ADR36LAM	197	\$359	ARC24403ES	160	\$1,362	ARC3093WCS	163	\$85
ADR43	197	\$289	ARC24403S	159	\$1,558	ARC35MF	163	\$33
ADR43LAM	197	\$401	ARC24504A	159	\$1,549	ARC37MF	163	\$35
ADR44	197	\$316	ARC24504EA	160	\$1,204	ARCB24403A	159	\$1,563
ADR44LAM	197	\$411	ARC24504ES	160	\$1,405	ARCB24403EA	160	\$1,367
ADR45	197	\$339	ARC24504S	159	\$1,737	ARCB24403ES	160	\$1,612
ADR45LAM	197	\$421	ARC24615A	159	\$1,584	ARCB24403S	159	\$1,808
ADR46	197	\$362	ARC24615EA	160	\$1,261	ARCB24504A	159	\$1,799
ADR46LAM	197	\$432	ARC24615ES	160	\$1,449	ARCB24504EA	160	\$1,454
ADRW2K	197	\$338	ARC24615S	159	\$1,785	ARCB24504S	159	\$1,987
AEC66L	7	\$629	ARC24726A	159	\$2,070	ARCB2450ES	160	\$1,655
AEC66R	7	\$629	ARC24726EA	160	\$1,607	ARCB24615A	159	\$1,834
AEC72L	7	\$669	ARC24726ES	160	\$1,792	ARCB24615EA	160	\$1,511
AEC72R	7	\$669	ARC24726S	159	\$2,257	ARCB24615ES	160	\$1,699
AFF20	8	\$379	ARC2472BTB	163	\$74	ARCB24615S	159	\$2,035
AFF26	8	\$429	ARC2472CP	163	\$109	ARCB24726A	159	\$2,387
AFLF30	9	\$649	ARC2472EP	163	\$305	ARCB24726EA	160	\$1,924
AFLF36	9	\$699	ARC2472WCS	163	\$62	ARCB24726ES	160	\$2,109
AFTP60	11	\$109	ARC24827A	159	\$2,348	ARCB24726S	159	\$2,574
AFTP66	11	\$119	ARC24827EA	160	\$1,801	ARCB24827A	159	\$2,668
AFTP72	11	\$139	ARC24827ES	160	\$2,009	ARCB24827EA	160	\$2,118
AGDC	12	\$649	ARC24827S	159	\$2,557	ARCB24827ES	160	\$2,326
AHG60	10	\$639	ARC2482BTB	163	\$85	ARCB24827S	159	\$2,877
AHG66	10	\$669	ARC2482CP	163	\$122	ARC30403A	159	\$1,906
AHG72	10	\$699	ARC2482EP	163	\$343	ARC30403EA	160	\$1,679
AHPM	11	\$139	ARC2482WCS	163	\$74	ARC30403ES	160	\$1,922
AHW60	10	\$439	ARC24938A	159	\$2,642	ARC30403S	159	\$2,149
AHW66	10	\$469	ARC24938EA	160	\$2,018	ARC30504A	159	\$2,034
AHW72	10	\$499	ARC24938ES	160	\$2,237	ARC30504EA	160	\$1,699
AKEYB	196	\$411	ARC24938S	159	\$2,868	ARC30504ES	160	\$1,971
AL	98	\$449	ARC2493BTB	163	\$97	ARC30504S	159	\$2,307
ALC	12	\$899	ARC2493CP	163	\$139	ARC30615A	159	\$2,249
ALCT	13	\$359	ARC2493EP	163	\$382	ARC30615EA	160	\$1,806
AMDV	161	\$31	ARC2493WCS	163	\$85	ARC30615ES	160	\$2,007
AMK20	8	\$99	ARC3015HFK	162	\$119	ARC30615S	159	\$2,451
AP3017	196	\$461	ARC3015ROD105	162	\$246	ARC30726A	159	\$2,951
AP3017	198	\$461	ARC3015ROD120	162	\$269	ARC30726EA	160	\$2,308
AP3024	196	\$483	ARC3015ROD60	162	\$227	ARC30726ES	160	\$2,530
AP3617	196	\$472	ARC3015ROD75	162	\$231	ARC30726S	159	\$3,173
AP3624	196	\$499	ARC3015ROD90	162	\$215	ARCB30827A	159	\$3,234
AP4817	196	\$513	ARC3015ROHF	162	\$203	ARCB30827EA	160	\$2,548
AP4824	196	\$563	ARC3015ROSLF	162	\$216	ARCB30827ES	160	\$2,792
AP6017	196	\$562	ARC3015RS	161	\$199	ARCB30827S	159	\$3,487
AP6024	196	\$615	ARC3015SLF	161	\$58	ARCPS2412	161	\$109
AP7217	196	\$625	ARC30403A	159	\$1,656	ARCPS3015	161	\$129
AP7224	196	\$690	ARC30403EA	160	\$1,429	ARD6030	6	\$419
APBBF20	8	\$399	ARC30403ES	160	\$1,672	ARD6630	6	\$449
APBBF26	8	\$449	ARC30403S	159	\$1,899	ARD7230	6	\$479
APBF20	8	\$295	ARC30504A	159	\$1,784	ARD7236	6	\$519
APBF26	8	\$329	ARC30504EA	160	\$1,449	ARDTC	12	\$469
APED1	193	\$634	ARC30504ES	160	\$1,721	ARRS	12	\$159
APR6030	7	\$395	ARC30504S	159	\$2,057	ARS36	158	\$411
APST	12	\$799	ARC30615A	159	\$1,999	ARS42	158	\$432
APT7236	7	\$579	ARC30615EA	160	\$1,556	AS36F	157	\$131
AR12	189	\$79	ARC30615ES	160	\$1,757	AS42F	157	\$143
AR24	189	\$83	ARC30615S	159	\$2,201	ASC	12	\$499
AR3024	7	\$229	ARC30726A	159	\$2,631	AT1	14	\$2,186
AR36	158	\$132	ARC30726EA	160	\$1,988	AT10	16	\$3,561
AR3624	7	\$249	ARC30726ES	160	\$2,210	AT11	16	\$1,173
AR42	158	\$145	ARC30726S	159	\$2,853	AT12	16	\$1,947
AR4224	7	\$269	ARC3072BTB	163	\$74	AT13	17	\$1,926
AR48	189	\$101	ARC3072CP	163	\$115	AT14	17	\$1,257
AR4824	7	\$299	ARC3072EP	163	\$343	AT15	17	\$3,498

# Index

Model No.	Page	List Price
AT17	18	\$4,590
AT18	18	\$5,590
AT19	18	\$1,762
AT2	14	\$2,574
AT20	18	\$2,461
AT21	19	\$4,522
AT22	19	\$2,491
AT23	19	\$4,183
AT24	19	\$1,802
AT25	20	\$1,762
AT26	20	\$4,622
AT27	20	\$7,464
AT28	20	\$4,350
AT29	21	\$2,685
AT3	14	\$2,105
AT30	21	\$1,347
AT31	21	\$1,097
AT32	21	\$1,727
AT33	22	\$1,542
AT34	22	\$2,056
AT35	22	\$5,569
AT36	22	\$2,070
AT37	23	\$3,643
AT38	23	\$3,881
AT39	23	\$3,085
AT4	14	\$2,400
AT40	23	\$3,844
AT5	15	\$2,804
AT6	15	\$3,154
AT7	15	\$5,620
AT8	15	\$4,972
AT9	16	\$5,450
ATB3FK	190	\$256
ATB4FK	190	\$308
ATB5FK	190	\$359
ATB6FK	190	\$390
AVPB	13	\$619
AVPM	11	\$139
AWG72	10	\$799
AWMK	143	\$89
C1131	73	\$783
C1133	73	\$783
C1136	73	\$454
C1141	73	\$797
C1142	74	\$1,126
C1143	73	\$797
C1144	74	\$1,126
C1145	74	\$1,126
C1146	73	\$467
C1151	73	\$815
C1152	74	\$1,144
C1153	73	\$815
C1154	74	\$1,144
C1155	74	\$1,144
C1156	73	\$485
C1161	73	\$840
C1162	74	\$1,169
C1163	73	\$840
C1164	74	\$1,169
C1165	74	\$1,169
C1166	73	\$510
C1171	73	\$865
C1172	74	\$1,194
C1173	73	\$865
C1174	74	\$1,194
C1175	74	\$1,194
C1176	73	\$536
C1331	68	\$805
C1333	68	\$805
C1336	68	\$465
C1341	68	\$815
C1342	68	\$1,155
C1343	68	\$815
C1344	69	\$1,155
C1345	69	\$1,155
C1346	68	\$476
C1351	68	\$842
C1352	68	\$1,181
C1353	68	\$842

Model No.	Page	List Price
C1354	69	\$1,181
C1355	69	\$1,181
C1356	68	\$502
C1361	68	\$869
C1362	68	\$1,208
C1363	68	\$869
C1364	69	\$1,208
C1365	69	\$1,208
C1366	68	\$529
C1371	68	\$878
C1372	68	\$1,217
C1373	68	\$878
C1374	69	\$1,217
C1375	69	\$1,217
C1376	68	\$538
C1651	69	\$858
C1652	69	\$1,212
C1653	69	\$858
C1654	69	\$1,212
C1655	69	\$1,212
C1656	69	\$503
C1661	69	\$876
C1662	69	\$1,230
C1663	69	\$876
C1664	69	\$1,230
C1665	69	\$1,230
C1666	69	\$521
C1671	69	\$908
C1672	69	\$1,263
C1673	69	\$908
C1674	69	\$1,263
C1675	69	\$1,263
C1676	69	\$554
C1951	70	\$939
C1952	70	\$1,293
C1953	70	\$939
C1954	70	\$1,293
C1955	70	\$1,293
C1956	70	\$584
C1961	70	\$975
C1962	70	\$1,329
C1963	70	\$975
C1964	70	\$1,329
C1965	70	\$1,329
C1966	70	\$620
C1971	70	\$993
C1972	70	\$1,347
C1973	70	\$993
C1974	70	\$1,347
C1975	70	\$1,347
C1976	70	\$638
C2401	72	\$637
C2403	72	\$637
C2406	71	\$314
C2411	72	\$658
C2413	72	\$658
C2416	71	\$335
C2421	72	\$686
C2423	72	\$686
C2426	71	\$356
C2431	72	\$712
C2433	72	\$712
C2436	71	\$383
C2441	72	\$748
C2443	72	\$748
C2446	71	\$439
C2451	72	\$788
C2453	72	\$788
C2456	71	\$459
C2461	72	\$815
C2463	72	\$815
C2466	71	\$491
C2471	72	\$841
C2473	72	\$841
C2476	71	\$511
C2481	72	\$616
C2483	72	\$616
C2486	71	\$293
C2501	72	\$677

Model No.	Page	List Price
C2503	72	\$677
C2506	72	\$350
C2511	72	\$698
C2513	72	\$698
C2516	72	\$371
C2521	72	\$726
C2523	72	\$726
C2526	72	\$397
C2531	72	\$752
C2533	72	\$752
C2536	72	\$423
C2541	72	\$811
C2543	72	\$811
C2546	72	\$482
C2551	72	\$838
C2553	72	\$838
C2556	72	\$509
C2561	72	\$869
C2563	72	\$869
C2566	72	\$540
C2571	72	\$923
C2573	72	\$923
C2576	72	\$594
C2581	72	\$656
C2583	72	\$656
C2586	72	\$329
C281N	71	\$225
C281S	70	\$239
C281T	70	\$243
C282N	71	\$235
C282S	70	\$253
C282T	70	\$257
C283N	71	\$248
C283S	70	\$266
C283T	70	\$271
C291N	71	\$235
C291S	71	\$249
C291T	71	\$253
C292N	71	\$245
C292S	71	\$263
C292T	71	\$267
C293N	71	\$258
C293S	71	\$276
C293T	71	\$281
C313L1	76	\$1,125
C313L3	76	\$1,125
C313L6	76	\$885
C313R1	76	\$1,125
C313R3	76	\$1,125
C313R6	76	\$885
C343L1	76	\$1,125
C343L3	76	\$1,125
C343L6	76	\$885
C343R1	76	\$1,125
C343R3	76	\$1,125
C343R6	76	\$885
C36A	71	\$1,367
C36T	74	\$830
C36TR	74	\$730
C383L	76	\$885
C383R	76	\$885
C413L	77	\$895
C413R	77	\$895
C42A	71	\$1,377
C42T	74	\$865
C42TR	74	\$765
C443L	76	\$885
C443R	76	\$885
C483L	77	\$895
C483R	77	\$895
C48A	71	\$1,432
C48T	74	\$899
C48TR	74	\$799
C515	74	\$469
C523	74	\$449
C542	73	\$610
C552	73	\$628
C562	73	\$678
C572	73	\$678

# Index

Model No.	Page	List Price
C583	73	\$718
C593	73	\$718
C603	73	\$718
C613	73	\$718
C625	75	\$863
C626	75	\$1,024
C627	75	\$1,048
C635	75	\$906
C636	75	\$1,067
C637	75	\$1,092
C645	75	\$1,018
C646	75	\$1,178
C647	75	\$1,202
C673	75	\$447
C675	75	\$463
C677	75	\$499
C683	75	\$473
C685	75	\$489
C687	75	\$525
C693	75	\$523
C695	75	\$539
C697	75	\$575
C743	77	\$499
C744	77	\$589
C745	77	\$627
C746	77	\$664
C747	77	\$703
C763	77	\$724
C764	77	\$814
C765	77	\$852
C766	77	\$889
C767	77	\$928
C773	77	\$295
C774	77	\$309
C775	77	\$322
C776	77	\$335
C777	77	\$357
C810	80	\$302
C811	80	\$316
C812	80	\$323
C813	80	\$331
C818	80	\$294
C819	80	\$308
C820	81	\$317
C821	81	\$395
C822	81	\$408
C823	81	\$415
C828	81	\$357
C829	81	\$377
C830	80	\$302
C831	80	\$316
C832	80	\$338
C833	80	\$351
C838	80	\$287
C839	80	\$309
C840	79	\$569
C840	91	\$569
C841	79	\$639
C841	91	\$639
C850	81	\$386
C851	81	\$412
C852	81	\$437
C853	81	\$460
C858	81	\$364
C859	81	\$401
C863	78	\$172
C864	78	\$179
C865	78	\$184
C866	78	\$191
C867	78	\$199
C870	79	\$729
C870	91	\$729
C8817B	79	\$399
C8817B	91	\$399
C8817F	79	\$399
C8817F	91	\$399
C8817M	79	\$56
C8817M	91	\$56
C8824B	79	\$414

Model No.	Page	List Price
C8824B	91	\$414
C8824F	79	\$414
C8824F	91	\$414
C8824M	79	\$58
C8824M	91	\$58
C8830B	79	\$427
C8830B	91	\$427
C8830F	79	\$427
C8830F	91	\$427
C8830M	79	\$60
C8830M	91	\$60
C893	79	\$149
C894	79	\$209
C9111	81	\$34
C9112	81	\$45
C9113	81	\$57
C9211	81	\$38
C9212	81	\$49
C9213	81	\$59
C9311	81	\$42
C9312	81	\$55
C9313	81	\$65
C9411	81	\$46
C9412	81	\$59
C9413	81	\$71
C9512	81	\$65
C9513	81	\$78
C9517	81	\$95
CBBFC	37	\$485
CBBFC	39	\$485
CBBFD	37	\$587
CBBFD	39	\$587
CBDG	36	\$396
CCD	37	\$169
CCF	37	\$1,184
CCF	39	\$1,184
CCNZ66	35	\$759
CCNZ72	35	\$808
CCNZ84	35	\$920
CD66	35	\$1,183
CD72	35	\$1,303
CDPL	35	\$1,798
CDPR	35	\$1,798
CDS66	35	\$1,077
CDS72	35	\$1,190
CDS72	38	\$1,190
CFFC	37	\$474
CFFC	39	\$474
CFFD	37	\$566
CFFD	39	\$566
CH36D	195	\$1,606
CH36DLAM	195	\$1,773
CH36DS	195	\$1,847
CH36DSLAM	195	\$2,014
CH36L	195	\$1,652
CH36LLAM	195	\$1,819
CH36LS	195	\$1,894
CH36LSLAM	195	\$2,061
CH36N	195	\$1,298
CH36NLAM	195	\$1,466
CH36NS	195	\$1,539
CH36NSLAM	195	\$1,707
CH36T	196	\$1,949
CH36TLAM	196	\$2,107
CH48D	195	\$1,944
CH48DLAM	195	\$2,113
CH48DS	195	\$2,185
CH48DSLAM	195	\$2,355
CH48L	195	\$1,990
CH48LLAM	195	\$2,162
CH48LS	195	\$2,232
CH48LSLAM	195	\$2,403
CH48N	195	\$1,563
CH48NLAM	195	\$1,737
CH48NS	195	\$1,805
CH48NSLAM	195	\$1,979
CH48T	196	\$2,268
CH48TLAM	196	\$2,429
CH60D	195	\$1,980

Model No.	Page	List Price
CH60DLAM	195	\$2,166
CH60DS	195	\$2,222
CH60DSLAM	195	\$2,407
CH60L	195	\$2,029
CH60LLAM	195	\$2,218
CH60LS	195	\$2,271
CH60LSLAM	195	\$2,459
CH60N	195	\$1,639
CH60NLAM	195	\$1,827
CH60NS	195	\$1,881
CH60NSLAM	195	\$2,068
CH60T	196	\$2,304
CH60TLAM	196	\$2,480
CH72D	195	\$2,212
CH72DLAM	195	\$2,419
CH72DS	195	\$2,454
CH72DSLAM	195	\$2,662
CH72L	195	\$2,261
CH72LLAM	195	\$2,469
CH72LS	195	\$2,503
CH72LSLAM	195	\$2,710
CH72N	195	\$1,830
CH72NLAM	195	\$2,038
CH72NS	195	\$2,071
CH72NSLAM	195	\$2,280
CH72T	196	\$2,462
CH72TLAM	196	\$2,658
CHOH	36	\$333
CHOV	36	\$333
CHTC66	36	\$953
CHTC72	36	\$1,006
CHTC84	36	\$1,101
CHTCG66	36	\$1,077
CHTCG72	36	\$1,123
CHTCG84	36	\$1,207
CL36D	195	\$1,487
CL36DLAM	195	\$1,654
CL36DS	195	\$1,729
CL36DSLAM	195	\$1,896
CL36L	195	\$1,534
CL36LLAM	195	\$1,702
CL36LS	195	\$1,776
CL36LSLAM	195	\$1,944
CL36N	195	\$1,179
CL36NLAM	195	\$1,346
CL36NS	195	\$1,421
CL36NSLAM	195	\$1,588
CL36T	196	\$1,838
CL36TLAM	196	\$1,996
CL48D	195	\$1,743
CL48DLAM	195	\$1,914
CL48DS	195	\$1,984
CL48DSLAM	195	\$2,155
CL48L	195	\$1,790
CL48LLAM	195	\$1,925
CL48LS	195	\$2,032
CL48LSLAM	195	\$2,167
CL48N	195	\$1,363
CL48NLAM	195	\$1,536
CL48NS	195	\$1,605
CL48NSLAM	195	\$1,789
CL48T	196	\$2,080
CL48TLAM	196	\$2,239
CL60D	195	\$1,804
CL60DLAM	195	\$1,992
CL60DS	195	\$2,045
CL60DSLAM	195	\$2,233
CL60L	195	\$1,853
CL60LLAM	195	\$2,039
CL60LS	195	\$2,094
CL60LSLAM	195	\$2,281
CL60N	195	\$1,443
CL60NLAM	195	\$1,635
CL60NS	195	\$1,684
CL60NSLAM	195	\$1,876
CL60T	196	\$2,138
CL60TLAM	196	\$2,313
CL72D	195	\$2,002
CL72DLAM	195	\$2,210



# Index

Model No.	Page	List Price
CL72DS	195	\$2,244
CL72DSLAM	195	\$2,452
CL72L	195	\$2,050
CL72LLAM	195	\$2,258
CL72LS	195	\$2,291
CL72LSLAM	195	\$2,500
CL72N	195	\$1,614
CL72NLAM	195	\$1,823
CL72NS	195	\$1,856
CL72NSLAM	195	\$2,065
CL72T	196	\$2,322
CL72TLAM	196	\$2,518
CLCK1	78	\$24
CLCK2	78	\$24
CLCK3	78	\$24
CLCK4	78	\$24
CLCK5	78	\$24
CLF	37	\$873
CLF	39	\$873
CMKEY	78	\$14
CMT12	40	\$3,710
CMT14	40	\$4,134
CMT18	40	\$5,406
CMT20	40	\$5,830
CMT24	40	\$7,314
CMT26	40	\$7,738
CMT30	40	\$9,222
CMT72A	40	\$1,908
CP172	169	\$328
CP173	169	\$328
CP17M	169	\$74
CP242	169	\$339
CP243	169	\$339
CP24M	169	\$74
CPC	35	\$815
CPR	35	\$1,229
CRC72	38	\$428
CRS48	38	\$179
CRTNL	36	\$518
CRTNL	38	\$518
CRTNR	36	\$518
CRTNR	38	\$518
CS	99	\$589
CST1	83	\$4,900
CST10	85	\$2,020
CST11	85	\$3,021
CST12	85	\$1,607
CST13	86	\$2,108
CST14	86	\$3,846
CST15	86	\$2,645
CST16	86	\$7,480
CST17	87	\$3,025
CST18	87	\$2,119
CST19	87	\$3,436
CST2	83	\$2,808
CST20	87	\$1,909
CST21	88	\$3,304
CST22	88	\$2,135
CST23	88	\$3,110
CST24	88	\$2,777
CST3	83	\$3,194
CST4	83	\$2,922
CST5	84	\$3,017
CST6	84	\$7,762
CST7	84	\$2,457
CST8	84	\$2,779
CST9	85	\$2,115
CT1	43	\$4,352
CT10	45	\$3,051
CT10848BL	115	\$1,107
CT10848RL	115	\$1,107
CT10848VL	115	\$1,107
CT10854BL	115	\$1,207
CT10854RL	115	\$1,207
CT10854VL	115	\$1,207
CT11	45	\$2,938
CT12	45	\$2,938
CT12048BL	115	\$1,333
CT12048RL	115	\$1,333

Model No.	Page	List Price
CT12048VL	115	\$1,333
CT12054BL	115	\$1,409
CT12054RL	115	\$1,409
CT12054VL	115	\$1,409
CT13	46	\$2,366
CT14	46	\$2,490
CT15	46	\$2,942
CT16	46	\$3,059
CT17	47	\$3,149
CT18	47	\$3,255
CT19	47	\$3,283
CT2	43	\$4,743
CT20	47	\$4,093
CT21	48	\$4,599
CT22	48	\$5,408
CT23	48	\$4,493
CT24	48	\$5,295
CT25	49	\$4,723
CT26	49	\$5,525
CT27	49	\$4,617
CT28	49	\$5,412
CT29	50	\$5,523
CT3	43	\$4,246
CT30	50	\$5,523
CT31	50	\$6,774
CT32	50	\$6,774
CT3SL	115	\$704
CT4	43	\$4,630
CT42RL	115	\$755
CT48RL	115	\$779
CT5	44	\$4,476
CT6	44	\$4,860
CT7	44	\$4,370
CT7236BL	115	\$893
CT7236RL	115	\$893
CT7236VL	115	\$893
CT8	44	\$4,747
CT9	45	\$3,051
CT9648BL	115	\$1,006
CT9648RL	115	\$1,006
CT9648VL	115	\$1,006
CT9654BL	115	\$1,032
CT9654RL	115	\$1,032
CT9654VL	115	\$1,032
CTC120	40	\$2,202
CTC72	40	\$1,039
CTC84	40	\$1,228
CTC96	40	\$1,528
CTMB	40	\$951
CTR	66	\$611
CTRND	40	\$569
CTS	66	\$432
CTS36	196	\$124
CTS48	196	\$137
CTS60	196	\$148
CTS72	196	\$161
CTSK1	11	\$99
CTSK1	27	\$99
CTSK1	36	\$99
CTSK1	52	\$99
CTT2	200	\$599
CTT2	202	\$599
D09GS03	153	\$43
D09GS03	157	\$43
D09GS03	193	\$43
D09GS10	153	\$142
D09GS10	157	\$142
D09GS10	193	\$142
D100	166	\$110
D200	166	\$222
D300	166	\$110
D400	166	\$222
D500	166	\$55
D7260A	250	\$173
D7261A	250	\$184
D7261ASE	250	\$282
D7262A	250	\$194
D7262ASE	250	\$293
D7263A	250	\$205

Model No.	Page	List Price
D7263ASE	250	\$303
D7265A	250	\$247
D7265ASE	250	\$356
D7270A	249	\$240
D7271A	249	\$251
D7271ASE	249	\$328
D7272A	249	\$261
D7272ASE	249	\$338
D7273A	249	\$293
D7273ASE	249	\$351
D7275A	249	\$387
D7275ASE	249	\$482
DAD3G	165	\$195
DAD3L	165	\$161
DAD4G	165	\$195
DAD4L	165	\$161
DAD5G	165	\$195
DAD5L	165	\$161
DAD6G	165	\$223
DAD6L	165	\$195
DAD7G	165	\$223
DAD7L	165	\$195
DAD8G	165	\$223
DAD8L	165	\$195
DFB3665	166	\$278
DFB3676	166	\$278
DFB3686	166	\$334
DFB3697	166	\$334
DFB4265	166	\$278
DFB4276	166	\$278
DFB4286	166	\$334
DFB4297	166	\$334
DFB4865	166	\$278
DFB4876	166	\$278
DFB4886	166	\$334
DFB4897	166	\$334
DFU1265	165	\$167
DFU1276	165	\$167
DFU1286	165	\$167
DFU1297	165	\$167
DFU1565	165	\$189
DFU1576	165	\$189
DFU1586	165	\$189
DFU1597	165	\$189
DFU2465	165	\$278
DFU2476	165	\$278
DFU2486	165	\$278
DFU2497	165	\$278
DFU3065	165	\$300
DFU3076	165	\$300
DFU3086	165	\$300
DFU3097	165	\$300
DME1265F	166	\$167
DME1276F	166	\$167
DME1286F	166	\$167
DME1297F	166	\$167
DME1565F	166	\$189
DME1576F	166	\$189
DME1586F	166	\$189
DME1597F	166	\$189
DME1865M	167	\$189
DME1876M	167	\$189
DME1886M	167	\$189
DME1897M	167	\$189
DME2465F	166	\$278
DME2465M	167	\$278
DME2476F	166	\$278
DME2476M	167	\$278
DME2486F	166	\$278
DME2486M	167	\$278
DME2497F	166	\$278
DME2497M	167	\$278
DME3065F	166	\$300
DME3065M	167	\$300
DME3076F	166	\$300
DME3076M	167	\$300
DME3086F	166	\$300
DME3086M	167	\$300
DME3097F	166	\$300

# Index

Model No.	Page	List Price
DME3097M	167	\$300
DR2	201	\$86
F1265L	140	\$56
F1265OP	140	\$46
F1265T	140	\$89
F1276L	140	\$64
F1276OP	140	\$47
F1276T	140	\$99
F1286L	140	\$67
F1286OP	140	\$48
F1286T	140	\$109
F1297L	140	\$77
F1297OP	140	\$78
F1297T	140	\$119
F12DV24	142	\$112
F12DV6	142	\$28
F12DV6	161	\$28
F1565L	140	\$59
F1565OP	140	\$48
F1565T	140	\$95
F1576L	140	\$65
F1576OP	140	\$48
F1576T	140	\$104
F1586L	140	\$72
F1586OP	140	\$49
F1586T	140	\$114
F1597L	140	\$79
F1597OP	140	\$49
F1597T	140	\$124
F15DV24	142	\$128
F15DV6	142	\$32
F15DV6	161	\$32
F2465L	140	\$75
F2465OP	140	\$63
F2465T	140	\$125
F2476L	140	\$87
F2476OP	140	\$64
F2476T	140	\$139
F2486L	140	\$88
F2486OP	140	\$65
F2486T	140	\$149
F2497L	140	\$99
F2497OP	140	\$66
F2497T	140	\$159
F24SR	142	\$6
F3002KP	142	\$16
F3006KP	142	\$28
F3012SLF	141	\$18
F3012SU	141	\$21
F3015SLF	141	\$21
F3015SU	141	\$24
F3024SLF	141	\$35
F3024SU	141	\$34
F3030SLF	141	\$38
F3030SU	141	\$38
F3065BP	143	\$183
F3065CP	143	\$183
F3065L	140	\$91
F3065OP	140	\$65
F3065T	140	\$149
F3076BP	143	\$187
F3076CP	143	\$187
F3076L	140	\$96
F3076OP	140	\$68
F3076T	140	\$169
F3086BP	143	\$194
F3086CP	143	\$194
F3086L	140	\$99
F3086OP	140	\$68
F3086T	140	\$179
F3097BP	143	\$229
F3097CP	143	\$229
F3097L	140	\$104
F3097OP	140	\$69
F3097T	140	\$189
F30CS	141	\$7
F30CS	148	\$7
F30SR	142	\$6
F30SS	142	\$10

Model No.	Page	List Price
F30SSB	142	\$13
F30SSB	148	\$13
F3602KP	142	\$16
F3606KP	142	\$28
F3612RS	142	\$189
F3612SLF	141	\$18
F3612SU	141	\$21
F3615SLF	141	\$21
F3615SU	141	\$24
F3624SLF	141	\$35
F3624SU	141	\$34
F3630SLF	141	\$38
F3630SU	141	\$38
F3665BP	143	\$183
F3665CP	143	\$183
F3676BP	143	\$187
F3676CP	143	\$187
F3686BP	143	\$194
F3686CP	143	\$194
F3697BP	143	\$229
F3697CP	143	\$229
F36CS	141	\$7
F36CS	148	\$7
F36SS	142	\$10
F36SSB	142	\$13
F36SSB	148	\$13
F4202KP	142	\$20
F4206KP	142	\$30
F4212RS	142	\$199
F4212SLF	141	\$23
F4212SU	141	\$23
F4215SLF	141	\$29
F4215SU	141	\$28
F4224SLF	141	\$44
F4224SU	141	\$39
F4230SLF	141	\$49
F4230SU	141	\$46
F4265BP	143	\$187
F4265CP	143	\$187
F4276BP	143	\$191
F4276CP	143	\$191
F4286BP	143	\$211
F4286CP	143	\$211
F4297BP	143	\$259
F4297CP	143	\$259
F42CS	141	\$7
F42CS	148	\$7
F42SS	142	\$10
F42SSB	142	\$13
F42SSB	148	\$13
F4802KP	142	\$21
F4806KP	142	\$34
F4812RS	142	\$209
F4812SLF	141	\$29
F4812SU	141	\$26
F4815SLF	141	\$34
F4815SU	141	\$31
F4824SLF	141	\$50
F4824SU	141	\$43
F4830SLF	141	\$54
F4830SU	141	\$48
F4865BP	143	\$189
F4865CP	143	\$189
F4876BP	143	\$206
F4876CP	143	\$206
F4886BP	143	\$229
F4886CP	143	\$229
F4897BP	143	\$269
F4897CP	143	\$269
F48CS	141	\$7
F48CS	148	\$7
F48SS	142	\$10
F48SSB	142	\$13
F48SSB	148	\$13
FC101	168	\$799
FF521	164	\$5,056
FF5211	164	\$7,394
FF532	164	\$8,555
FF5322	164	\$13,033

Model No.	Page	List Price
FF543	164	\$11,966
FF5433	164	\$18,496
FF621	164	\$5,497
FF6211	164	\$7,982
FF632	164	\$9,290
FF6322	164	\$14,062
FF643	164	\$12,995
FF6433	164	\$19,966
FF721	164	\$6,187
FF7211	164	\$8,902
FF732	164	\$10,440
FF7322	164	\$15,672
FF743	164	\$14,605
FF7433	164	\$22,266
FFD	164	\$3
FFD5	164	\$1,359
FFD6	164	\$1,506
FFD7	164	\$1,736
FFN5	164	\$980
FFN6	164	\$1,091
FFN7	164	\$1,225
FH4821	154	\$8,778
FH48211	154	\$12,443
FH4832	154	\$14,804
FH48322	154	\$21,760
FH4843	154	\$20,772
FH48433	154	\$31,081
FL	98	\$669
FL3012656S	136	\$429
FL3012767S	137	\$490
FL3012868S	138	\$541
FL3012979S	139	\$606
FL3015656S	136	\$456
FL3015767S	137	\$516
FL3015868S	138	\$578
FL3015979S	139	\$640
FL3024656S	136	\$618
FL3024767S	137	\$710
FL3024868S	138	\$780
FL3024979S	139	\$870
FL3030656S	136	\$708
FL3030767S	137	\$795
FL3030868S	138	\$878
FL3030979S	139	\$965
FL3612656S	136	\$429
FL3612767S	137	\$490
FL3612868S	138	\$541
FL3612979S	139	\$606
FL3615656S	136	\$456
FL3615767S	137	\$516
FL3615868S	138	\$578
FL3615979S	139	\$640
FL3624656S	136	\$618
FL3624767S	137	\$710
FL3624868S	138	\$780
FL3624979S	139	\$870
FL3630656S	136	\$708
FL3630767S	137	\$795
FL3630868S	138	\$878
FL3630979S	139	\$965
FL4212656S	136	\$461
FL4212767S	137	\$527
FL4212868S	138	\$583
FL4212979S	139	\$653
FL4215656S	136	\$508
FL4215767S	137	\$576
FL4215868S	138	\$646
FL4215979S	139	\$716
FL4224656S	136	\$677
FL4224767S	137	\$778
FL4224868S	138	\$857
FL4224979S	139	\$956
FL4230656S	136	\$782
FL4230767S	137	\$880
FL4230868S	138	\$974
FL4230979S	139	\$1,072
FL4812656S	136	\$500
FL4812767S	137	\$572
FL4812868S	138	\$634



# Index

Model No.	Page	List Price
FL4812979S	139	\$710
FL4815656S	136	\$541
FL4815767S	137	\$614
FL4815868S	138	\$689
FL4815979S	139	\$764
FL4824656S	136	\$753
FL4824767S	137	\$866
FL4824868S	138	\$957
FL4824979S	139	\$1,068
FL4830656S	136	\$814
FL4830767S	137	\$917
FL4830868S	138	\$1,016
FL4830979S	139	\$1,119
F03012656A	136	\$363
F03012767A	137	\$409
F03012868A	138	\$455
F03012979A	139	\$500
F03015656A	136	\$386
F03015767A	137	\$434
F03015868A	138	\$483
F03015979A	139	\$531
F03024656A	136	\$531
F03024767A	137	\$600
F03024868A	138	\$669
F03024979A	139	\$738
F03030656A	136	\$591
F03030767A	137	\$671
F03030868A	138	\$748
F03030979A	139	\$826
F03612656A	136	\$363
F03612767A	137	\$409
F03612868A	138	\$455
F03612979A	139	\$500
F03615656A	136	\$386
F03615767A	137	\$434
F03615868A	138	\$483
F03615979A	139	\$531
F03624656A	136	\$531
F03624767A	137	\$600
F03624868A	138	\$669
F03624979A	139	\$738
F03630656A	136	\$591
F03630767A	137	\$671
F03630868A	138	\$748
F03630979A	139	\$826
F04212656A	136	\$395
F04212767A	137	\$446
F04212868A	138	\$497
F04212979A	139	\$547
F04215656A	136	\$438
F04215767A	137	\$494
F04215868A	138	\$551
F04215979A	139	\$607
F04224656A	136	\$590
F04224767A	137	\$668
F04224868A	138	\$746
F04224979A	139	\$824
F04230656A	136	\$665
F04230767A	137	\$756
F04230868A	138	\$844
F04230979A	139	\$933
F04812656A	136	\$434
F04812767A	137	\$491
F04812868A	138	\$548
F04812979A	139	\$604
F04815656A	136	\$471
F04815767A	137	\$532
F04815868A	138	\$594
F04815979A	139	\$655
F04824656A	136	\$666
F04824767A	137	\$756
F04824868A	138	\$846
F04824979A	139	\$936
F04830656A	136	\$697
F04830767A	137	\$793
F04830868A	138	\$886
F04830979A	139	\$980
FP36721	145	\$2,348
FP367211	145	\$3,797

Model No.	Page	List Price
FP36732	145	\$4,008
FP367322	145	\$6,708
FP36743	145	\$5,580
FP367433	145	\$9,443
FP36821	145	\$2,496
FP368211	145	\$3,996
FP36832	145	\$4,253
FP368322	145	\$7,055
FP36843	145	\$5,922
FP368433	145	\$9,938
FP42721	145	\$2,552
FP427211	145	\$4,131
FP42732	145	\$4,283
FP427322	145	\$7,147
FP42743	145	\$6,054
FP427433	145	\$10,243
FP42821	145	\$2,715
FP428211	145	\$4,350
FP42832	145	\$4,553
FP428322	145	\$7,529
FP42843	145	\$6,431
FP428433	145	\$10,788
FPD010E	230	\$149
FPD010M	228	\$149
FPD010TW	222	\$149
FPD011E	230	\$219
FPD011M	228	\$219
FPD011TW	222	\$219
FPD012E	230	\$269
FPD012M	228	\$269
FPD012TW	222	\$269
FPG36721	146	\$2,435
FPG367211	146	\$3,920
FPG36732	146	\$4,156
FPG367322	146	\$6,928
FPG36743	146	\$5,789
FPG367433	146	\$9,760
FPG36821	146	\$2,608
FPG368211	146	\$4,155
FPG36832	146	\$4,440
FPG368322	146	\$7,336
FPG36843	146	\$6,184
FPG368433	146	\$10,341
FPG42721	146	\$2,707
FPG427211	146	\$4,344
FPG42732	146	\$4,630
FPG427322	146	\$7,696
FPG42743	146	\$6,411
FPG427433	146	\$10,764
FPG42821	146	\$2,904
FPG428211	146	\$4,611
FPG42832	146	\$4,954
FPG428322	146	\$8,160
FPG42843	146	\$6,862
FPG428433	146	\$11,425
FT3012656A	136	\$406
FT3012767A	137	\$461
FT3012868A	138	\$516
FT3012979A	139	\$571
FT3015656A	136	\$433
FT3015767A	137	\$490
FT3015868A	138	\$548
FT3015979A	139	\$606
FT3024656A	136	\$593
FT3024767A	137	\$675
FT3024868A	138	\$753
FT3024979A	139	\$831
FT3030656A	136	\$675
FT3030767A	137	\$772
FT3030868A	138	\$859
FT3030979A	139	\$946
FT3612656A	136	\$406
FT3612767A	137	\$461
FT3612868A	138	\$516
FT3612979A	139	\$571
FT3615656A	136	\$433
FT3615767A	137	\$490
FT3615868A	138	\$548
FT3615979A	139	\$606

Model No.	Page	List Price
FT3624656A	136	\$593
FT3624767A	137	\$675
FT3624868A	138	\$753
FT3624979A	139	\$831
FT3630656A	136	\$675
FT3630767A	137	\$772
FT3630868A	138	\$859
FT3630979A	139	\$946
FT4212656A	136	\$438
FT4212767A	137	\$498
FT4212868A	138	\$558
FT4212979A	139	\$618
FT4215656A	136	\$485
FT4215767A	137	\$550
FT4215868A	138	\$616
FT4215979A	139	\$682
FT4224656A	136	\$652
FT4224767A	137	\$743
FT4224868A	138	\$830
FT4224979A	139	\$917
FT4230656A	136	\$749
FT4230767A	137	\$857
FT4230868A	138	\$955
FT4230979A	139	\$1,053
FT4812656A	136	\$477
FT4812767A	137	\$543
FT4812868A	138	\$609
FT4812979A	139	\$675
FT4815656A	136	\$518
FT4815767A	137	\$588
FT4815868A	138	\$659
FT4815979A	139	\$730
FT4824656A	136	\$728
FT4824767A	137	\$831
FT4824868A	138	\$930
FT4824979A	139	\$1,029
FT4830656A	136	\$781
FT4830767A	137	\$894
FT4830868A	138	\$997
FT4830979A	139	\$1,100
Item #	Page #	2008 List
KB3312D	167	\$279
KB3312E	167	\$312
LC101	168	\$999
MCM	151	\$40
MCM361	151	\$90
MCM421	151	\$102
MCM481	151	\$113
MDV	152	\$59
MFD36	150	\$45
MFD4	150	\$44
MFD42	150	\$49
MFD48	150	\$51
ML3652X	134	\$10,241
ML3653X	134	\$13,379
ML3654X	134	\$16,513
ML3672G	134	\$8,194
ML3672L	133	\$7,707
ML3673G	134	\$10,739
ML3673L	133	\$9,974
ML3674G	134	\$13,222
ML3674L	133	\$12,362
ML4852X	134	\$10,506
ML4853X	134	\$13,682
ML4854X	134	\$16,855
ML4872G	134	\$8,682
ML4872L	133	\$8,260
ML4873G	134	\$11,349
ML4873L	133	\$10,767
ML4874G	134	\$13,954
ML4874L	133	\$13,235
ML7272G	134	\$12,635
ML7272L	133	\$11,874
ML7273G	134	\$16,477
ML7273L	133	\$15,331
ML7274G	134	\$20,228
ML7274L	133	\$18,904
ML9672L	133	\$13,178
ML9673L	133	\$17,308

# Index

Model No.	Page	List Price
ML9674L	133	\$21,002
MO36C	152	\$331
MO42C	152	\$386
MO48C	152	\$402
MOS36	153	\$153
MOS42	153	\$163
MOS48	153	\$170
MR3601	151	\$102
MR3602	151	\$205
MR3603	151	\$307
MR3604	151	\$410
MR4201	151	\$106
MR4202	151	\$214
MR4203	151	\$321
MR4801	151	\$110
MR4802	151	\$219
MR4803	151	\$331
MRD362	152	\$427
MRD422	152	\$455
MRD482	152	\$478
MRF362	151	\$296
MRF422	151	\$300
MRF482	151	\$303
MRP362	152	\$349
MRP422	152	\$387
MRP482	152	\$398
MRS36	150	\$299
MRS42	150	\$310
MRS48	150	\$320
MS3601	150	\$71
MS3602	150	\$146
MS3603	150	\$216
MS3604	150	\$289
MS4201	150	\$76
MS4202	150	\$150
MS4203	150	\$230
MS4801	150	\$88
MS4802	150	\$156
MS4803	150	\$236
MSP1	151	\$151
MSP2	151	\$163
MSPV	151	\$125
MSPV	158	\$125
MSPV	189	\$125
MSPV	189	\$125
MWD	150	\$104
NBBF	52	\$620
NBDGL	52	\$490
NBDGR	52	\$490
NC10	55	\$2,100
NC12	55	\$3,440
NC14	55	\$3,600
NC18	55	\$5,140
NC20	55	\$5,300
NC24	55	\$6,840
NC26	55	\$7,000
NC30	55	\$8,540
NC6	55	\$1,199
NC8	55	\$1,490
NCD	52	\$169
NCNZ63	51	\$780
NCNZ72	51	\$840
NCR48	55	\$990
NCT1	55	\$742
NCT2	55	\$742
ND63	51	\$899
ND72	51	\$973
NEXTL	51	\$412
NEXTR	51	\$412
NFF	52	\$590
NHTC63	52	\$1,390
NHTC72	52	\$1,490
NHTR63	52	\$150
NHTR72	52	\$150
NMT72A	55	\$1,700
NPC	52	\$670
NRS	54	\$2,094
NRSBB	54	\$3,437
NRSBF	54	\$3,416

Model No.	Page	List Price
NRSLBB	54	\$4,448
NRSLBF	54	\$4,437
NRTPL	51	\$910
NRTPL80	51	\$989
NRTPR	51	\$910
NRTPR80	51	\$989
NT1	56	\$2,390
NT10	58	\$4,685
NT11	58	\$6,646
NT12	58	\$6,646
NT13	59	\$5,183
NT14	59	\$7,144
NT15	59	\$4,774
NT16	59	\$4,774
NT17	60	\$7,897
NT18	60	\$7,144
NT19	60	\$7,897
NT2	56	\$2,390
NT20	60	\$9,454
NT21	61	\$2,469
NT22	61	\$2,469
NT23	61	\$2,543
NT24	61	\$2,543
NT25	62	\$3,046
NT26	62	\$3,120
NT27	62	\$5,806
NT28	62	\$6,040
NT29	63	\$4,910
NT3	56	\$2,888
NT30	63	\$4,910
NT31	63	\$5,144
NT32	63	\$5,144
NT33	64	\$4,498
NT34	64	\$4,498
NT35	64	\$4,732
NT36	64	\$4,732
NT37	65	\$4,598
NT38	65	\$4,832
NT39	65	\$3,779
NT4	56	\$2,464
NT40	65	\$3,939
NT5	57	\$2,464
NT6	57	\$2,962
NT7	57	\$3,641
NT8	57	\$3,641
NT9	58	\$4,685
NTR	66	\$611
NTS	66	\$432
OPH	97	\$649
OPM	97	\$589
P172	169	\$267
P173	169	\$267
P17M	169	\$55
P242	169	\$278
P243	169	\$278
P24M	169	\$55
PC4	113	\$78
PCA6724	112	\$524
PCA6730	112	\$566
PCE2	113	\$57
PCS6724	112	\$652
PCS6730	112	\$692
PHS4824	112	\$442
PHS6030	112	\$490
PLG4	113	\$504
PR	97	\$599
PRA4824	112	\$331
PRA4830	112	\$345
PRA6024	112	\$345
PRA6030	112	\$373
PRA7224	112	\$406
PRA7230	112	\$399
PRND48	112	\$509
PRS4824	112	\$459
PRS4830	112	\$471
PRS6024	112	\$471
PRS6030	112	\$500
PRS7224	112	\$486
PRS7230	112	\$526

Model No.	Page	List Price
PRW	99	\$699
PTA6024	112	\$336
PTA6030	112	\$366
PTS6024	112	\$463
PTS6030	112	\$492
R104BP	114	\$1,226
R104BPN	114	\$1,201
R104BS	114	\$1,175
R104BSN	114	\$1,150
R104RP	114	\$1,226
R104RPN	114	\$1,201
R104RS	114	\$1,175
R104RSN	114	\$1,150
R104VP	114	\$1,226
R104VPN	114	\$1,201
R104VS	114	\$1,175
R104VSN	114	\$1,150
R105BP	114	\$1,319
R105BPN	114	\$1,294
R105BS	114	\$1,268
R105BSN	114	\$1,243
R105RP	114	\$1,319
R105RPN	114	\$1,294
R105RS	114	\$1,268
R105RSN	114	\$1,243
R105VP	114	\$1,319
R105VPN	114	\$1,294
R105VS	114	\$1,268
R105VSN	114	\$1,243
R124BP	114	\$1,409
R124BPN	114	\$1,384
R124BS	114	\$1,359
R124BSN	114	\$1,333
R124RP	114	\$1,409
R124RPN	114	\$1,384
R124RS	114	\$1,359
R124RSN	114	\$1,333
R124VP	114	\$1,409
R124VPN	114	\$1,384
R124VS	114	\$1,359
R124VSN	114	\$1,333
R125BP	114	\$1,485
R125BPN	114	\$1,460
R125BS	114	\$1,434
R125BSN	114	\$1,409
R125RP	114	\$1,485
R125RPN	114	\$1,460
R125RS	114	\$1,434
R125RSN	114	\$1,409
R125VP	114	\$1,485
R125VPN	114	\$1,460
R125VS	114	\$1,434
R125VSN	114	\$1,409
R73BP	114	\$956
R73BPN	114	\$931
R73BS	114	\$892
R73BSN	114	\$827
R73RP	114	\$956
R73RPN	114	\$931
R73RS	114	\$892
R73RSN	114	\$827
R73VP	114	\$956
R73VPN	114	\$931
R73VS	114	\$892
R73VSN	114	\$827
R84BP	114	\$1,043
R84BPN	114	\$1,019
R84BS	114	\$1,006
R84BSN	114	\$981
R84RP	114	\$1,043
R84RPN	114	\$1,019
R84RS	114	\$1,006
R84RSN	114	\$981
R84VP	114	\$1,043
R84VPN	114	\$1,019
R84VS	114	\$1,006
R84VSN	114	\$981
R94BP	114	\$1,069
R94BPN	114	\$1,044

# Index

Model No.	Page	List Price
R94BS	114	\$1,031
R94BSN	114	\$1,006
R94RP	114	\$1,069
R94RPN	114	\$1,044
R94RS	114	\$1,031
R94RSN	114	\$1,006
R94VP	114	\$1,069
R94VPN	114	\$1,044
R94VS	114	\$1,031
R94VSN	114	\$1,006
R95BP	114	\$1,095
R95BPN	114	\$1,070
R95BS	114	\$1,056
R95BSN	114	\$1,031
R95RP	114	\$1,095
R95RPN	114	\$1,070
R95RS	114	\$1,056
R95RSN	114	\$1,031
R95VP	114	\$1,095
R95VPN	114	\$1,070
R95VS	114	\$1,056
R95VSN	114	\$1,031
REALCC0100	9	\$15
REALCC0101	9	\$15
REALCC0102	9	\$15
REALCC0103	9	\$15
REALCC0104	9	\$15
REALCC0105	9	\$15
REALCC0106	9	\$15
REALCC0107	9	\$15
REALCC0108	9	\$15
REALCC0109	9	\$15
REALCCRC	9	\$15
REALCCMK	9	\$15
SA3680E1	186	\$1,588
SA3680E1LAM	186	\$1,709
SA3680G1	186	\$2,471
SA3680G1LAM	186	\$2,546
SA3680L1	186	\$2,361
SA3680L1LAM	186	\$2,481
SB7241	186	\$1,544
SC2424CP	178	\$1,344
SC2424E	178	\$658
SC2424EP	178	\$1,251
SC2424G	178	\$890
SC2424L	178	\$860
SC2433CP	178	\$1,570
SC2433CPL	180	\$1,403
SC2433E	178	\$751
SC2433EL	180	\$751
SC2433EP	178	\$1,251
SC2433EPL	180	\$1,310
SC2433G	178	\$1,102
SC2433GL	180	\$979
SC2433L	178	\$1,057
SC2433LL	180	\$943
SC2441CP	178	\$1,817
SC2441CPH	180	\$1,592
SC2441CPL	180	\$1,747
SC2441E	178	\$873
SC2441EH	180	\$826
SC2441EH	198	\$826
SC2441EL	180	\$826
SC2441EP	178	\$1,440
SC2441EPH	180	\$1,334
SC2441EPL	180	\$1,403
SC2441G	178	\$1,238
SC2441GH	180	\$1,103
SC2441GL	180	\$1,224
SC2441L	178	\$1,179
SC2441LH	180	\$1,069
SC2441LL	180	\$1,179
SC2448CP	178	\$2,041
SC2448CPH	180	\$1,664
SC2448CPL	180	\$2,124
SC2448E	178	\$913
SC2448EH	180	\$885
SC2448EL	180	\$885
SC2448EP	178	\$1,534

Model No.	Page	List Price
SC2448EPH	180	\$1,451
SC2448EPL	180	\$1,652
SC2448G	178	\$1,358
SC2448GH	180	\$1,302
SC2448GL	180	\$1,358
SC2448L	178	\$1,298
SC2448LH	180	\$1,242
SC2448LL	180	\$1,298
SC3624CP	178	\$1,934
SC3624E	178	\$695
SC3624EP	178	\$1,606
SC3624G	178	\$931
SC3624L	178	\$908
SC3633CP	178	\$2,442
SC3633CPL	180	\$1,889
SC3633E	178	\$885
SC3633EL	180	\$826
SC3633EP	178	\$1,711
SC3633EPL	180	\$1,688
SC3633G	178	\$1,227
SC3633GL	180	\$1,097
SC3633L	178	\$1,179
SC3633LL	180	\$1,062
SC3641CP	178	\$2,514
SC3641CPH	180	\$2,079
SC3641CPL	180	\$2,313
SC3641E	178	\$767
SC3641EH	180	\$920
SC3641EL	180	\$920
SC3641EP	178	\$1,876
SC3641EPH	180	\$1,735
SC3641EPL	180	\$1,817
SC3641G	178	\$1,298
SC3641GH	180	\$1,179
SC3641GL	180	\$1,416
SC3641L	178	\$1,238
SC3641LH	180	\$1,108
SC3641LL	180	\$1,298
SC3648CP	178	\$2,927
SC3648CPH	180	\$2,313
SC3648CPL	180	\$2,714
SC3648E	178	\$943
SC3648EH	180	\$1,002
SC3648EL	180	\$1,002
SC3648EP	178	\$1,983
SC3648EPH	180	\$1,829
SC3648EPL	180	\$2,006
SC3648G	178	\$1,499
SC3648GH	180	\$1,537
SC3648GL	180	\$1,592
SC3648L	178	\$1,416
SC3648LH	180	\$1,478
SC3648LL	180	\$1,534
SC4824CP	179	\$2,313
SC4824E	179	\$820
SC4824EP	179	\$1,994
SC4824G	179	\$1,345
SC4824L	179	\$1,276
SC4833CP	179	\$2,738
SC4833CPL	181	\$2,384
SC4833E	179	\$930
SC4833EL	181	\$930
SC4833EP	179	\$2,124
SC4833EPL	181	\$2,079
SC4833G	179	\$1,635
SC4833GL	181	\$1,388
SC4833L	179	\$1,543
SC4833LL	181	\$1,298
SC4841CP	179	\$3,247
SC4841CPH	181	\$2,550
SC4841CPL	181	\$2,834
SC4841E	179	\$980
SC4841EH	181	\$1,061
SC4841EL	181	\$1,061
SC4841EP	179	\$2,361
SC4841EPH	181	\$2,137
SC4841EPL	181	\$2,243
SC4841G	179	\$1,840
SC4841GH	181	\$1,470

Model No.	Page	List Price
SC4841GL	181	\$1,764
SC4841L	179	\$1,729
SC4841LH	181	\$1,453
SC4841LL	181	\$1,672
SC4848CP	179	\$3,696
SC4848CPH	181	\$2,869
SC4848CPL	181	\$3,305
SC4848E	179	\$1,190
SC4848EH	181	\$1,121
SC4848EL	181	\$1,121
SC4848EP	179	\$2,502
SC4848EPH	181	\$2,289
SC4848EPL	181	\$2,479
SC4848G	179	\$2,259
SC4848GH	181	\$1,889
SC4848GL	181	\$2,150
SC4848L	179	\$2,132
SC4848LH	181	\$1,803
SC4848LL	181	\$2,037
SC6024CP	179	\$2,775
SC6024E	179	\$884
SC6024EP	179	\$2,337
SC6024G	179	\$1,536
SC6024L	179	\$1,450
SC6033CP	179	\$3,400
SC6033CPL	181	\$2,845
SC6033E	179	\$967
SC6033EL	181	\$1,028
SC6033EP	179	\$2,514
SC6033EPL	181	\$2,432
SC6033G	179	\$1,936
SC6033GL	181	\$1,628
SC6033L	179	\$1,866
SC6033LL	181	\$1,534
SC6041CP	179	\$3,932
SC6041CPH	181	\$2,892
SC6041CPL	181	\$3,424
SC6041E	179	\$1,062
SC6041EH	181	\$1,121
SC6041EL	181	\$1,121
SC6041EP	179	\$2,786
SC6041EPH	181	\$2,479
SC6041EPL	181	\$2,620
SC6041G	179	\$2,226
SC6041GH	181	\$1,751
SC6041GL	181	\$2,063
SC6041L	179	\$2,167
SC6041LH	181	\$1,668
SC6041LL	181	\$1,992
SC6048CP	179	\$4,427
SC6048CPH	181	\$3,530
SC6048CPL	181	\$4,014
SC6048E	179	\$1,335
SC6048EH	181	\$1,179
SC6048EL	181	\$1,179
SC6048EP	179	\$2,975
SC6048EPH	181	\$2,679
SC6048EPL	181	\$2,904
SC6048G	179	\$2,617
SC6048GH	181	\$2,191
SC6048GL	181	\$2,398
SC6048L	179	\$2,480
SC6048LH	181	\$2,121
SC6048LL	181	\$2,292
SC7224CP	179	\$3,269
SC7224E	179	\$1,011
SC7224EP	179	\$2,727
SC7224G	179	\$1,823
SC7224L	179	\$1,696
SC7233CP	179	\$3,932
SC7233CPL	181	\$3,365
SC7233E	179	\$1,062
SC7233EL	181	\$1,109
SC7233EP	179	\$2,940
SC7233EPL	181	\$2,845
SC7233G	179	\$2,288
SC7233GL	181	\$1,897
SC7233L	179	\$2,123
SC7233LL	181	\$1,740

# Index

Model No.	Page	List Price
SC7241CP	179	\$4,676
SC7241CPH	181	\$3,410
SC7241CPL	181	\$4,014
SC7241E	179	\$1,319
SC7241EH	181	\$1,179
SC7241EL	181	\$1,179
SC7241EP	179	\$3,269
SC7241EPH	181	\$2,904
SC7241EPL	181	\$3,069
SC7241G	179	\$2,600
SC7241GH	181	\$2,090
SC7241GL	181	\$2,488
SC7241L	179	\$2,485
SC7241LH	181	\$1,931
SC7241LL	181	\$2,327
SC7248CP	179	\$5,349
SC7248CPH	181	\$4,073
SC7248CPL	181	\$4,723
SC7248E	179	\$1,400
SC7248EH	181	\$1,298
SC7248EL	181	\$1,298
SC7248EP	179	\$3,482
SC7248EPH	181	\$3,128
SC7248EPL	181	\$3,376
SC7248G	179	\$3,072
SC7248GH	181	\$2,575
SC7248GL	181	\$2,681
SC7248L	179	\$2,955
SC7248LH	181	\$2,410
SC7248LL	181	\$2,673
SE2424C	184	\$1,062
SE2424CP	184	\$1,534
SE2424E	184	\$896
SE2424EP	184	\$1,251
SE2433C	184	\$1,157
SE2433CL	185	\$1,179
SE2433CLP	185	\$1,723
SE2433CP	184	\$1,865
SE2433E	184	\$943
SE2433EL	185	\$1,002
SE2433ELP	185	\$1,344
SE2433EP	184	\$1,298
SE2441C	184	\$1,275
SE2441CH	185	\$1,193
SE2441CHP	185	\$1,747
SE2441CL	185	\$1,262
SE2441CLP	185	\$2,100
SE2441CP	184	\$2,184
SE2441E	184	\$991
SE2441EH	185	\$1,015
SE2441EHP	185	\$1,344
SE2441EL	185	\$1,062
SE2441ELP	185	\$1,403
SE2441EP	184	\$1,344
SE2448C	184	\$1,344
SE2448CH	185	\$1,298
SE2448CHP	185	\$1,983
SE2448CL	185	\$1,381
SE2448CLP	185	\$2,289
SE2448CP	184	\$2,302
SE2448E	184	\$1,015
SE2448EH	185	\$1,074
SE2448EHP	185	\$1,416
SE2448EL	185	\$1,108
SE2448ELP	185	\$1,570
SE2448EP	184	\$1,487
SE3624C	184	\$1,227
SE3624CP	184	\$2,006
SE3624E	184	\$980
SE3624EP	184	\$1,451
SE3633C	184	\$1,393
SE3633CL	185	\$1,381
SE3633CLP	185	\$2,266
SE3633CP	184	\$2,597
SE3633E	184	\$1,015
SE3633EL	185	\$1,108
SE3633ELP	185	\$1,652
SE3633EP	184	\$1,487
SE3641C	184	\$1,510

Model No.	Page	List Price
SE3641CH	185	\$1,416
SE3641CHP	185	\$2,289
SE3641CL	185	\$1,534
SE3641CLP	185	\$2,655
SE3641CP	184	\$2,775
SE3641E	184	\$1,074
SE3641EH	185	\$1,157
SE3641EHP	185	\$1,652
SE3641EL	185	\$1,179
SE3641ELP	185	\$1,747
SE3641EP	184	\$1,664
SE3648C	184	\$1,652
SE3648CH	185	\$1,547
SE3648CHP	185	\$2,714
SE3648CL	185	\$1,652
SE3648CLP	185	\$3,069
SE3648CP	184	\$3,187
SE3648E	184	\$1,097
SE3648EH	185	\$1,179
SE3648EHP	185	\$1,771
SE3648EL	185	\$1,203
SE3648ELP	185	\$1,900
SE3648EP	184	\$1,771
SE4824C	184	\$1,416
SE4824CP	184	\$2,597
SE4824E	184	\$1,038
SE4824EP	184	\$1,771
SE4833C	184	\$1,592
SE4833CL	185	\$1,557
SE4833CLP	185	\$2,775
SE4833CP	184	\$2,951
SE4833E	184	\$1,121
SE4833EL	185	\$1,179
SE4833ELP	185	\$1,924
SE4833EP	184	\$1,889
SE4841C	184	\$1,771
SE4841CH	185	\$1,557
SE4841CHP	185	\$2,786
SE4841CL	185	\$1,723
SE4841CLP	185	\$3,247
SE4841CP	184	\$3,482
SE4841E	184	\$1,168
SE4841EH	185	\$1,193
SE4841EHP	185	\$1,934
SE4841EL	185	\$1,227
SE4841ELP	185	\$2,124
SE4841EP	184	\$2,124
SE4848C	184	\$1,934
SE4848CH	185	\$1,735
SE4848CHP	185	\$3,305
SE4848CL	185	\$1,889
SE4848CLP	185	\$3,849
SE4848CP	184	\$3,955
SE4848E	184	\$1,203
SE4848EH	185	\$1,251
SE4848EHP	185	\$2,124
SE4848EL	185	\$1,298
SE4848ELP	185	\$2,302
SE4848EP	184	\$2,243
SE6024C	184	\$1,592
SE6024CP	184	\$3,069
SE6024E	184	\$1,108
SE6024EP	184	\$2,006
SE6033C	184	\$1,783
SE6033CL	185	\$1,735
SE6033CLP	185	\$3,187
SE6033CP	184	\$3,541
SE6033E	184	\$1,179
SE6033EL	185	\$1,251
SE6033ELP	185	\$2,100
SE6033EP	184	\$2,124
SE6041C	184	\$1,971
SE6041CH	185	\$1,747
SE6041CHP	185	\$3,187
SE6041CL	185	\$1,912
SE6041CLP	185	\$3,719
SE6041CP	184	\$4,131
SE6041E	184	\$1,262
SE6041EH	185	\$1,262

Model No.	Page	List Price
SE6041EHP	185	\$2,124
SE6041EL	185	\$1,320
SE6041ELP	185	\$2,255
SE6041EP	184	\$2,361
SE6048C	184	\$2,171
SE6048CH	185	\$1,934
SE6048CHP	185	\$3,719
SE6048CL	185	\$2,100
SE6048CLP	185	\$4,356
SE6048CP	184	\$4,723
SE6048E	184	\$1,262
SE6048EH	185	\$1,334
SE6048EHP	185	\$2,361
SE6048EL	185	\$1,393
SE6048ELP	185	\$2,597
SE6048EP	184	\$2,479
SE7224C	184	\$1,842
SE7224CP	184	\$3,541
SE7224E	184	\$1,238
SE7224EP	184	\$2,361
SE7233C	184	\$2,079
SE7233CL	185	\$1,959
SE7233CLP	185	\$3,660
SE7233CP	184	\$4,251
SE7233E	184	\$1,334
SE7233EL	185	\$1,381
SE7233ELP	185	\$2,479
SE7233EP	184	\$2,479
SE7241C	184	\$2,278
SE7241CH	185	\$1,983
SE7241CHP	185	\$3,742
SE7241CL	185	\$2,220
SE7241CLP	185	\$4,368
SE7241CP	184	\$4,723
SE7241E	184	\$1,403
SE7241EH	185	\$1,403
SE7241EHP	185	\$2,479
SE7241EL	185	\$1,451
SE7241ELP	185	\$2,620
SE7241EP	184	\$2,892
SE7248C	184	\$2,538
SE7248CH	185	\$2,230
SE7248CHP	185	\$4,487
SE7248CL	185	\$2,337
SE7248CLP	185	\$4,604
SE7248CP	184	\$5,195
SE7248E	184	\$1,440
SE7248EH	185	\$1,475
SE7248EHP	185	\$2,714
SE7248EL	185	\$1,557
SE7248ELP	185	\$2,834
SE7248EP	184	\$2,951
SF3665BG1	187	\$2,429
SF3665BL1	187	\$2,203
SF3665DG1	187	\$2,305
SF3665DL1	187	\$2,112
SF3680BG1	187	\$2,788
SF3680BL1	187	\$2,579
SF3680DG1	187	\$2,606
SF3680DL1	187	\$2,439
SLF48	201	\$125
SLF60	201	\$135
SN2424C	182	\$842
SN2424CP	182	\$1,298
SN2424E	182	\$649
SN2424EP	182	\$1,203
SN2433C	182	\$987
SN2433CL	183	\$922
SN2433CLP	183	\$1,534
SN2433CP	182	\$1,416
SN2433E	182	\$731
SN2433EL	183	\$731
SN2433ELP	183	\$1,320
SN2433EP	182	\$1,262
SN2441C	182	\$1,187
SN2441CH	183	\$1,121
SN2441CHP	183	\$1,581
SN2441CL	183	\$1,095
SN2441CLP	183	\$1,676

# Index

Model No.	Page	List Price
SN2441CP	182	\$1,592
SN2441E	182	\$832
SN2441EH	183	\$832
SN2441EHP	183	\$1,358
SN2441EL	183	\$849
SN2441ELP	183	\$1,393
SN2441EP	182	\$1,416
SN2448C	182	\$1,288
SN2448CH	183	\$1,139
SN2448CHP	183	\$1,698
SN2448CL	183	\$1,242
SN2448CLP	183	\$1,889
SN2448CP	182	\$1,948
SN2448E	182	\$869
SN2448EH	183	\$869
SN2448EHP	183	\$1,403
SN2448EL	183	\$869
SN2448ELP	183	\$1,510
SN2448EP	182	\$1,428
SN3624C	182	\$1,121
SN3624CP	182	\$1,711
SN3624E	182	\$767
SN3624EP	182	\$1,510
SN3633C	182	\$1,298
SN3633CL	183	\$1,262
SN3633CLP	183	\$2,006
SN3633CP	182	\$1,889
SN3633E	182	\$789
SN3633EL	183	\$920
SN3633ELP	183	\$1,652
SN3633EP	182	\$1,581
SN3641C	182	\$1,428
SN3641CH	183	\$1,344
SN3641CHP	183	\$2,006
SN3641CL	183	\$1,475
SN3641CLP	183	\$2,230
SN3641CP	182	\$2,006
SN3641E	182	\$943
SN3641EH	183	\$956
SN3641EHP	183	\$1,664
SN3641EL	183	\$956
SN3641ELP	183	\$1,711
SN3641EP	182	\$1,758
SN3648C	182	\$1,616
SN3648CH	183	\$1,581
SN3648CHP	183	\$2,243
SN3648CL	183	\$1,676
SN3648CLP	183	\$2,479
SN3648CP	182	\$2,550
SN3648E	182	\$1,002
SN3648EH	183	\$991
SN3648EHP	183	\$1,747
SN3648EL	183	\$991
SN3648ELP	183	\$1,889
SN3648EP	182	\$1,793
SN4824C	182	\$1,254
SN4824CP	182	\$2,006
SN4824E	182	\$815
SN4824EP	182	\$1,806
SN4833C	182	\$1,522
SN4833CL	183	\$1,344
SN4833CLP	183	\$2,432
SN4833CP	182	\$2,041
SN4833E	182	\$911
SN4833EL	183	\$911
SN4833ELP	183	\$1,948
SN4833EP	182	\$1,900
SN4841C	182	\$1,823
SN4841CH	183	\$1,517
SN4841CHP	183	\$2,443
SN4841CL	183	\$1,669
SN4841CLP	183	\$2,692
SN4841CP	182	\$2,597
SN4841E	182	\$991
SN4841EH	183	\$991
SN4841EHP	183	\$2,006
SN4841EL	183	\$1,083
SN4841ELP	183	\$2,065
SN4841EP	182	\$2,137

Model No.	Page	List Price
SN4848C	182	\$2,134
SN4848CH	183	\$1,738
SN4848CHP	183	\$2,714
SN4848CL	183	\$2,004
SN4848CLP	183	\$3,116
SN4848CP	182	\$3,046
SN4848E	182	\$1,038
SN4848EH	183	\$1,026
SN4848EHP	183	\$2,089
SN4848EL	183	\$1,154
SN4848ELP	183	\$2,289
SN4848EP	182	\$2,196
SN6024C	182	\$1,487
SN6024CP	182	\$2,479
SN6024E	182	\$843
SN6024EP	182	\$2,124
SN6033C	182	\$1,797
SN6033CL	183	\$1,571
SN6033CLP	183	\$2,869
SN6033CP	182	\$2,597
SN6033E	182	\$927
SN6033EL	183	\$877
SN6033ELP	183	\$2,278
SN6033EP	182	\$2,230
SN6041C	182	\$2,081
SN6041CH	183	\$1,759
SN6041CHP	183	\$2,892
SN6041CL	183	\$1,961
SN6041CLP	183	\$3,164
SN6041CP	182	\$3,033
SN6041E	182	\$1,123
SN6041EH	183	\$1,038
SN6041EHP	183	\$2,302
SN6041EL	183	\$1,123
SN6041ELP	183	\$2,384
SN6041EP	182	\$2,538
SN6048C	182	\$2,543
SN6048CH	183	\$2,123
SN6048CHP	183	\$3,187
SN6048CL	183	\$2,151
SN6048CLP	183	\$3,637
SN6048CP	182	\$3,778
SN6048E	182	\$1,179
SN6048EH	183	\$1,220
SN6048EHP	183	\$2,419
SN6048EL	183	\$1,062
SN6048ELP	183	\$2,714
SN6048EP	182	\$2,597
SN7224C	182	\$1,747
SN7224CP	182	\$2,834
SN7224E	182	\$945
SN7224EP	182	\$2,467
SN7233C	182	\$2,110
SN7233CL	183	\$1,855
SN7233CLP	183	\$3,365
SN7233CP	182	\$3,259
SN7233E	182	\$1,061
SN7233EL	183	\$1,061
SN7233ELP	183	\$2,597
SN7233EP	182	\$2,609
SN7241C	182	\$2,442
SN7241CH	183	\$2,031
SN7241CHP	183	\$3,376
SN7241CL	183	\$2,246
SN7241CLP	183	\$3,778
SN7241CP	182	\$3,541
SN7241E	182	\$1,238
SN7241EH	183	\$1,241
SN7241EHP	183	\$2,597
SN7241EL	183	\$1,241
SN7241ELP	183	\$2,714
SN7241EP	182	\$2,963
SN7248C	182	\$2,921
SN7248CH	183	\$2,379
SN7248CHP	183	\$3,778
SN7248CL	183	\$2,472
SN7248CLP	183	\$4,251
SN7248CP	182	\$4,251
SN7248E	182	\$1,298

Model No.	Page	List Price
SN7248EH	183	\$1,312
SN7248EHP	183	\$2,714
SN7248EL	183	\$1,179
SN7248ELP	183	\$3,069
SN7248EP	182	\$3,033
SPM	13	\$186
SPM	114	\$186
SR2446R	201	\$617
SR4833	201	\$776
SR4833R	201	\$618
SR4846R	201	\$960
SR6033	201	\$818
SR6033R	201	\$629
SR6046R	201	\$1,019
SRF3837	202	\$279
SRF3871	202	\$494
SRFC3871	202	\$550
SRT4280A	202	\$999
SRT4280B	202	\$1,579
SRT4280C	202	\$1,429
SS	97	\$549
SS12LC	153	\$20
SS24GM01	157	\$41
SS24GM02	189	\$41
SS24GM03	189	\$81
SS24GM04	189	\$123
SS24GM05	189	\$164
SS24LM01	157	\$34
SS24LM01	189	\$34
SS24LM01	189	\$34
SS24LM01	198	\$34
SS24LM02	189	\$65
SS24LM03	189	\$99
SS24LM04	189	\$133
SS24LM05	189	\$165
SS24N01	189	\$41
SS24N02	189	\$81
SS24N03	189	\$123
SS24N04	189	\$164
SS24N05	189	\$203
SS33GM01	157	\$48
SS33GM01	189	\$48
SS33GM02	189	\$95
SS33GM03	189	\$139
SS33GM04	189	\$190
SS33GM05	189	\$235
SS33LM01	157	\$39
SS33LM01	189	\$39
SS33LM02	189	\$79
SS33LM03	189	\$118
SS33LM04	189	\$158
SS33LM05	189	\$196
SS33N01	189	\$48
SS33N02	189	\$95
SS33N03	189	\$139
SS33N04	189	\$190
SS33N05	189	\$235
SS3665	147	\$907
SS3676	147	\$907
SS3688	147	\$971
SS41GM01	157	\$56
SS41GM01	189	\$56
SS41GM02	189	\$111
SS41GM03	189	\$165
SS41GM04	189	\$219
SS41GM05	189	\$274
SS41LM01	157	\$48
SS41LM01	189	\$48
SS41LM02	189	\$95
SS41LM03	189	\$139
SS41LM04	189	\$190
SS41LM05	189	\$235
SS41N01	189	\$56
SS41N02	189	\$111
SS41N03	189	\$165
SS41N04	189	\$219
SS41N05	189	\$274
SS4265	147	\$1,037



# Index

Model No.	Page	List Price
SS4276	147	\$1,037
SS4288	147	\$1,076
SS4865	147	\$1,116
SS4876	147	\$1,116
SS4888	147	\$1,154
SS48GM01	157	\$64
SS48GM01	189	\$64
SS48GM02	189	\$127
SS48GM03	189	\$190
SS48GM04	189	\$250
SS48GM05	189	\$314
SS48LM01	157	\$56
SS48LM01	189	\$56
SS48LM02	189	\$111
SS48LM03	189	\$165
SS48LM04	189	\$219
SS48LM05	189	\$274
SS48N01	189	\$65
SS48N02	189	\$130
SS48N03	189	\$190
SS48N04	189	\$258
SS48N05	189	\$322
SS65GS101	157	\$102
SS65LS101	157	\$72
SS80GS101	157	\$123
SS80LS101	157	\$96
STTGADD4	146	\$771
STTGST4	146	\$969
STTLADD4	145	\$761
STTLST4	145	\$959
SW1	198	\$2,454
TAT1	29	\$5,482
TAT1G	29	\$5,582
TAT2	29	\$5,482
TAT2G	29	\$5,582
TAT3	29	\$5,237
TAT3G	29	\$5,337
TAT4	29	\$5,237
TAT4G	29	\$5,337
TAT5	30	\$5,414
TAT5G	30	\$5,514
TAT6	30	\$5,414
TAT6G	30	\$5,514
TAT7	30	\$5,169
TAT7G	30	\$5,269
TAT8	30	\$5,169
TAT8G	30	\$5,269
TAT9	31	\$5,620
TAT9G	31	\$5,720
TAT10	31	\$5,620
TAT10G	31	\$5,720
TAT11	31	\$5,375
TAT11G	31	\$5,475
TAT12	31	\$5,375
TAT12G	31	\$5,475
TAT13	32	\$6,444
TAT13G	32	\$6,544
TAT14	32	\$6,213
TAT14G	32	\$6,313
TAT15	32	\$6,415
TAT15G	32	\$6,515
TAT16	32	\$6,184
TAT16G	32	\$6,284
TAT17	33	\$5,075
TAT17G	33	\$5,175
TAT18	33	\$4,813
TAT18G	33	\$4,913
TAT19	33	\$4,046
TAT19G	33	\$4,146
TAT20	33	\$3,887
TAT20G	33	\$3,987
TAT21	34	\$8,199
TAT21G	34	\$8,299
TAT22	34	\$7,968
TAT22G	34	\$8,068
TAT23	34	\$7,502
TAT23G	34	\$7,602
TAT24	34	\$7,271
TAT24G	34	\$7,371

Model No.	Page	List Price
TB30	201	\$509
TB48	201	\$592
TB5	27	\$1,046
TB60	201	\$710
TBD	27	\$1,087
TBUF	27	\$2,357
TC12	28	\$3,532
TC120	28	\$2,636
TC14	28	\$3,944
TC18	28	\$4,749
TC20	28	\$5,161
TC24	28	\$6,346
TC26	28	\$6,758
TC30	28	\$7,943
TC72	28	\$1,261
TC96	28	\$1,571
TCBB66	24	\$2,101
TCBB72	24	\$2,157
TCBF66	24	\$2,033
TCBF72	24	\$2,089
TCC66	24	\$2,239
TCC72	24	\$2,295
TCFF66	24	\$1,965
TCFF72	24	\$2,021
TCFT	28	\$565
TCMF36	193	\$1,002
TCMF36LAM	193	\$1,170
TCMF48	193	\$1,182
TCMF48LAM	193	\$1,358
TCMF60	193	\$1,351
TCMF60LAM	193	\$1,542
TCMF72	193	\$1,516
TCMF72LAM	193	\$1,730
TCNR	194	\$545
TCNRLAM	194	\$728
TCR42	28	\$874
TCSC72	24	\$2,336
TCWB	28	\$872
TDBB66	24	\$2,394
TDBB72	24	\$2,466
TDBF66	24	\$2,365
TDBF72	24	\$2,437
TDLLC66	26	\$3,208
TDLLC72	26	\$3,287
TDLRC66	26	\$3,208
TDLRC72	26	\$3,287
TDRH	194	\$741
TDRHLAM	194	\$806
TDRL	194	\$741
TDRLLAM	194	\$806
TDULC66	25	\$4,137
TDULC72	25	\$4,279
TDURC66	25	\$4,137
TDURC72	25	\$4,279
TE36	192	\$2,539
TE36LAM	192	\$2,859
TE36S	192	\$2,628
TE36SLAM	192	\$2,953
TE48	192	\$2,562
TE48LAM	192	\$2,887
TE48S	192	\$2,673
TE48SLAM	192	\$3,005
TE60	192	\$2,617
TE60LAM	192	\$2,963
TE60S	192	\$2,739
TE60SLAM	192	\$3,092
TE72	192	\$2,662
TE72LAM	192	\$3,030
TE72S	192	\$2,784
TE72SLAM	192	\$3,160
TET	28	\$401
TGA	161	\$229
TGALAM	161	\$299
TGS	161	\$229
TGSA	161	\$229
TGSALAM	161	\$299
TGSLAM	161	\$299
THG66	27	\$1,338
THG72	27	\$1,441

Model No.	Page	List Price
THH	27	\$308
THLF	27	\$586
THV	27	\$308
THW66	27	\$1,238
THW72	27	\$1,341
TLA	161	\$229
TLALAM	161	\$299
TLC	27	\$1,535
TLF	27	\$1,169
TLF4	27	\$2,019
TLLBB66	26	\$3,070
TLLBB72	26	\$3,149
TLLBF66	26	\$3,002
TLLBF72	26	\$3,081
TLRBB66	26	\$3,070
TLRBB72	26	\$3,149
TLRBF66	26	\$3,002
TLRBF72	26	\$3,081
TLS	161	\$229
TLSA	161	\$229
TLSALAM	161	\$299
TLSLAM	161	\$299
TMT72A	28	\$1,597
TP48	193	\$1,565
TP48LAM	193	\$1,736
TP60	193	\$1,719
TP60LAM	193	\$1,907
TP72	193	\$2,178
TP72LAM	193	\$2,385
TR60DR	193	\$2,241
TR60DRLAM	193	\$2,434
TR60DS	193	\$2,193
TR60DSLAM	193	\$2,384
TR60LR	193	\$2,294
TR60LRLAM	193	\$2,484
TR60LS	193	\$2,241
TR60LSLAM	193	\$2,434
TR60NR	193	\$1,921
TR60NRLAM	193	\$2,112
TR60NS	193	\$1,870
TR60NSLAM	193	\$2,013
TR72DR	193	\$2,430
TR72DRLAM	193	\$2,643
TR72DS	193	\$2,379
TR72DSLAM	193	\$2,593
TR72LR	193	\$2,479
TR72LRLAM	193	\$2,686
TR72LS	193	\$2,429
TR72LSLAM	193	\$2,642
TR72NR	193	\$2,080
TR72NRLAM	193	\$2,289
TR72NS	193	\$2,027
TR72NSLAM	193	\$2,238
TRCD	28	\$2,886
TRCSL	28	\$3,792
TRCSR	28	\$3,792
TRG	28	\$256
TS36D	191	\$1,403
TS36DLAM	191	\$1,572
TS36DS	191	\$1,645
TS36DSLAM	191	\$1,814
TS36L	191	\$1,440
TS36LLAM	191	\$1,608
TS36LS	191	\$1,681
TS36LSLAM	191	\$1,849
TS36N	191	\$1,133
TS36NLAM	191	\$1,301
TS36NS	191	\$1,374
TS36NSLAM	191	\$1,542
TS48D	191	\$1,565
TS48DLAM	191	\$1,736
TS48DS	191	\$1,807
TS48DSLAM	191	\$1,978
TS48L	191	\$1,612
TS48LLAM	191	\$1,783
TS48LS	191	\$1,854
TS48LSLAM	191	\$2,025
TS48N	191	\$1,254
TS48NLAM	191	\$1,422

# Index

Model No.	Page	List Price
TS48NS	191	\$1,496
TS48NSLAM	191	\$1,664
TS60D	191	\$1,748
TS60D	198	\$1,748
TS60DLAM	191	\$1,936
TS60DS	191	\$1,989
TS60DSLAM	191	\$2,177
TS60L	191	\$1,798
TS60LLAM	191	\$1,980
TS60LS	191	\$2,039
TS60LSLAM	191	\$2,222
TS60N	191	\$1,412
TS60NLAM	191	\$1,598
TS60NS	191	\$1,653
TS60NSLAM	191	\$1,840
TS72D	191	\$1,932
TS72DLAM	191	\$2,142
TS72DS	191	\$2,174
TS72DSLAM	191	\$2,384
TS72L	191	\$1,982
TS72LLAM	191	\$2,190
TS72LS	191	\$2,224
TS72LSLAM	191	\$2,431
TS72N	191	\$1,578
TS72NLAM	191	\$1,787
TS72NS	191	\$1,819
TS72NSLAM	191	\$2,029
TSGST	100	\$649
TSHB	100	\$849
TT48RA	108	\$773
TT48RN	109	\$556
TT48RS	108	\$528
TT54RA	108	\$787
TT54RN	109	\$566
TT54RS	108	\$542
TT60CA	108	\$889
TT60CN	109	\$702
TT60CS	108	\$643
TT60RA	108	\$837
TT60RN	109	\$629
TT60RS	108	\$592
TT60TA	108	\$786
TT60TN	109	\$557
TT60TS	108	\$540
TT72RA	108	\$915
TT72RN	109	\$681
TT72RS	108	\$670
TTD66	24	\$926
TTD72	24	\$1,029
TTLP48RA	108	\$849
TTLP48RS	108	\$580
TTLP54RA	108	\$862
TTLP54RS	108	\$593
TTLP60CA	108	\$977
TTLP60CS	108	\$708
TTLP60RA	108	\$919
TTLP60RS	108	\$650
TTLP60TA	108	\$862
TTLP60TS	108	\$593
TTLP72RA	108	\$1,004
TTLP72RS	108	\$735
TULBB66	25	\$3,999
TULBB72	25	\$4,141
TULBF66	25	\$3,931
TULBF72	25	\$4,073
TURBB66	25	\$3,999
TURBB72	25	\$4,141
TURBF66	25	\$3,931
TURBF72	25	\$4,073
TW30	192	\$792
TW30LAM	192	\$882
TW30SL	198	\$759
TW36	192	\$908
TW36LAM	192	\$1,076
TW48	192	\$967
TW48LAM	192	\$1,136
TW60	192	\$1,123
TW60LAM	192	\$1,310
TW72	192	\$1,276

Model No.	Page	List Price
TW72LAM	192	\$1,483
UL210G	95	\$549
UL230M	95	\$729
UL250H	95	\$829
UL310G	95	\$529
UL330M	95	\$699
UL350H	95	\$799
UL410GEZ	96	\$569
UL430MEZ	96	\$819
UL450HEZ	96	\$899
UL510GEZ	96	\$539
UL530MEZ	96	\$859
UL550HEZ	96	\$899
ULEX	94	\$899
ULGST	94	\$529
ULMB2	94	\$719
ULMGR	94	\$759
URS6	163	\$55
URS7	163	\$55
URS8	163	\$55
VB2	42	\$514
VB2	54	\$514
VB4	42	\$847
VB4	54	\$847
VB5	42	\$997
VB5	54	\$997
VBBF	41	\$604
VBBF	53	\$604
VBCZ	42	\$2,002
VBCZ	55	\$2,002
VBQ2	42	\$485
VBQ2	54	\$485
VBQ5	42	\$940
VBQ5	54	\$940
VCF	41	\$1,292
VCG	41	\$1,294
VCG	53	\$1,294
VCL1	66	\$759
VCL2	66	\$1,199
VCL3	66	\$1,599
VCW	41	\$1,294
VCW	53	\$1,294
VFF	41	\$587
VFF	53	\$587
VHC	41	\$1,852
VHC	53	\$1,852
VLC	42	\$1,251
VLC	54	\$1,251
VLCG	42	\$1,251
VLCG	54	\$1,251
VLCW	42	\$1,251
VLCW	54	\$1,251
VLF	40	\$1,059
VLF	53	\$1,059
VLF4	40	\$2,092
VLF4	53	\$2,092
VSC	99	\$449
VSC2	99	\$449
VSC4	99	\$449
VSC5	99	\$449
VSC6	99	\$449
VSC7	99	\$449
VSC8	99	\$449
VSC9	99	\$499
VWRDL	41	\$1,165
VWRDL	53	\$1,165
VWRDR	41	\$1,165
VWRDR	53	\$1,165
W242	221	\$502
W243	221	\$502
W24M	221	\$58
WC27	200	\$259
WC27	203	\$259
WC39	200	\$359
WC39	203	\$359
X1886L	148	\$109
X1886T	148	\$149
X18DV5	148	\$68
X18SR	148	\$12

Model No.	Page	List Price
X18SRB	148	\$6
X3018SLF	148	\$34
X3018SU	148	\$32
X3036SLF	148	\$78
X3036SU	148	\$76
X30SS	148	\$13
X3618SLF	148	\$34
X3618SU	148	\$32
X3636SLF	148	\$78
X3636SU	148	\$76
X3686L	148	\$194
X3686T	148	\$239
X36SR	148	\$12
X36SRB	148	\$6
X36SS	148	\$13
X4218SLF	148	\$39
X4218SU	148	\$37
X4236SLF	148	\$80
X4236SU	148	\$78
X42SS	148	\$13
X4818SLF	148	\$43
X4818SU	148	\$40
X4836SLF	148	\$85
X4836SU	148	\$80
X48SS	148	\$13
XC101	168	\$799
XL3018865S	147	\$713
XL3036865S	147	\$1,195
XL3618865S	147	\$713
XL3636865S	147	\$1,195
XL4218865S	147	\$743
XL4236865S	147	\$1,207
XL4818865S	147	\$766
XL4836865S	147	\$1,234
XT3018865A	147	\$644
XT3036865A	147	\$1,046
XT3618865A	147	\$644
XT3636865A	147	\$1,046
XT4218865A	147	\$674
XT4236865A	147	\$1,058
XT4818865A	147	\$697
XT4836865A	147	\$1,085





MAYLINE COMPANY, LLC  
619 N. Commerce Street  
PO Box 728  
Sheboygan, WI 53082-0728  
800-822-8037  
920-457-7388 (Fax)

TIFFANY INDUSTRIES, LLC  
619 N. Commerce Street  
PO Box 728  
Sheboygan, WI 53082-0728  
800-822-8037  
920-457-7388 (Fax)

KWIK-FILE, LLC  
490 Northco Drive NE  
Minneapolis, MN 55432  
800-822-8037  
920-457-7388 (Fax)



619 North Commerce Street • P.O. Box 728 • Sheboygan, WI 53082-0728 • [www.mayline.com](http://www.mayline.com) • 1-800-822-8037 • Fax 920-457-7388